



US00D589218S

(12) **United States Design Patent**  
**Shin**

(10) **Patent No.:** **US D589,218 S**  
(45) **Date of Patent:** **\*\* Mar. 24, 2009**

(54) **STERILIZING VACUUM CLEANER**

(75) Inventor: **Jae Hyung Shin**, Seoul (KR)

(73) Assignee: **Bukang Sems Co., Ltd.**, Incheon (KR)

(\*\*) Term: **14 Years**

(21) Appl. No.: **29/310,412**

(22) Filed: **Aug. 14, 2008**

(51) **LOC (9) Cl.** ..... **15-05**

(52) **U.S. Cl.** ..... **D32/18**

(58) **Field of Classification Search** ..... D32/17-18,  
D32/21, 31; 15/329, 344, 320-321, 415.1,  
15/420, 421, 422, 339, 353, 1.51, 327.1,  
15/327.2, 327.6, 327.7; 392/324-325, 403-406,  
392/383-384, 476-477; 68/222, 5 R, 5 A,  
68/5 C; 38/85, 69; 134/18, 21; 422/292  
See application file for complete search history.

(56) **References Cited**

**U.S. PATENT DOCUMENTS**

5,233,723 A \* 8/1993 Hung ..... 15/339

D569,563 S \* 5/2008 Shin et al. .... D32/18  
2008/0052872 A1 \* 3/2008 Cho ..... 15/421

\* cited by examiner

*Primary Examiner*—Ruth McInroy

(74) *Attorney, Agent, or Firm*—Lahive & Cockfield, LLP;  
EuiHoon Lee

(57) **CLAIM**

I claim the ornamental design for sterilizing vacuum cleaner,  
as shown and described.

**DESCRIPTION**

FIG. 1 is a perspective view of the sterilizing vacuum cleaner;  
FIG. 2 is a front view of the sterilizing vacuum cleaner;  
FIG. 3 is a rear view of the sterilizing vacuum cleaner;  
FIG. 4 is a left side view of the sterilizing vacuum cleaner;  
FIG. 5 is a right side view of the sterilizing vacuum cleaner;  
FIG. 6 is a top view of the sterilizing vacuum cleaner; and,  
FIG. 7 is a bottom view of the sterilizing vacuum cleaner.

**1 Claim, 7 Drawing Sheets**

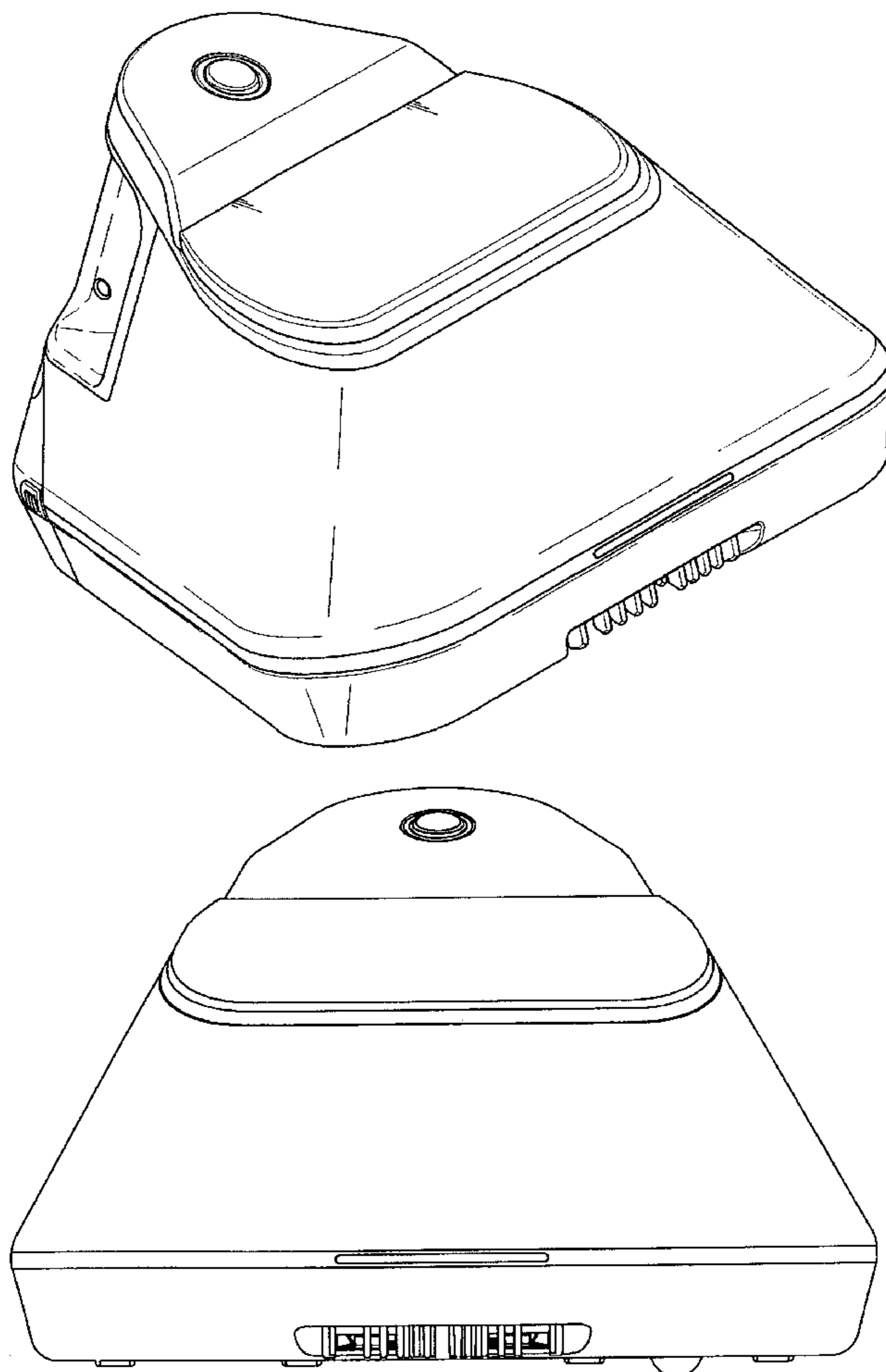


Fig. 1

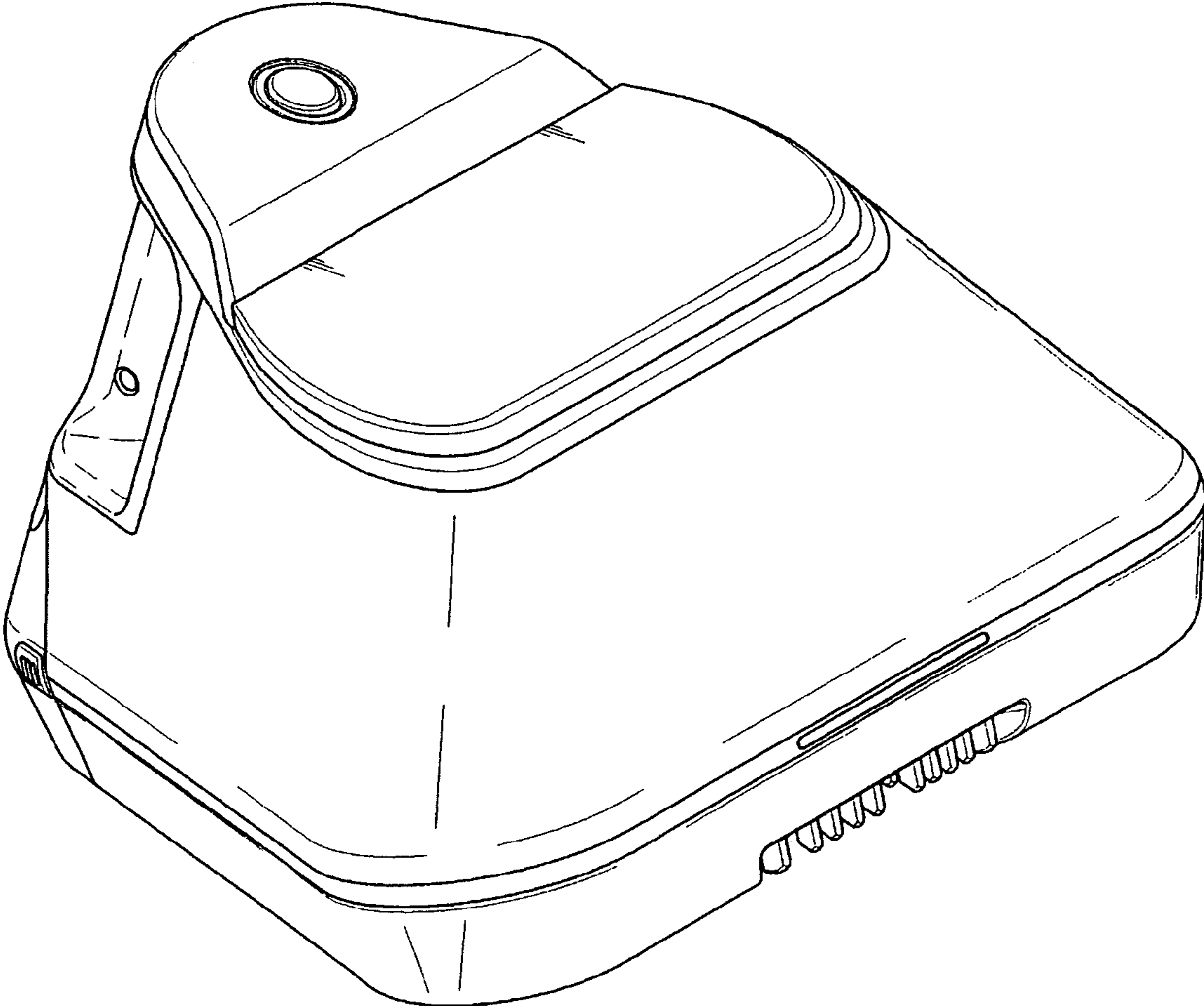


Fig. 2

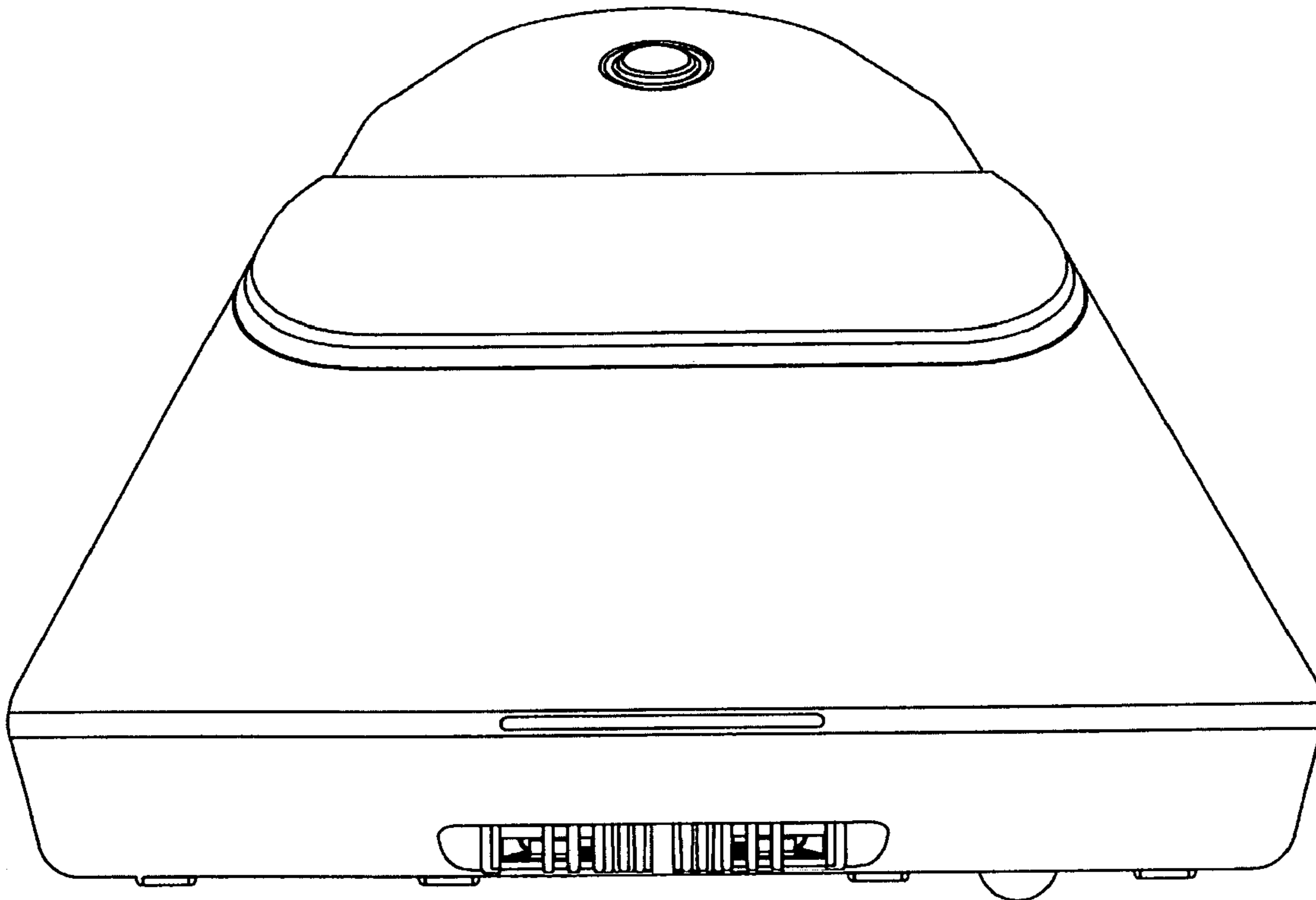


Fig. 3

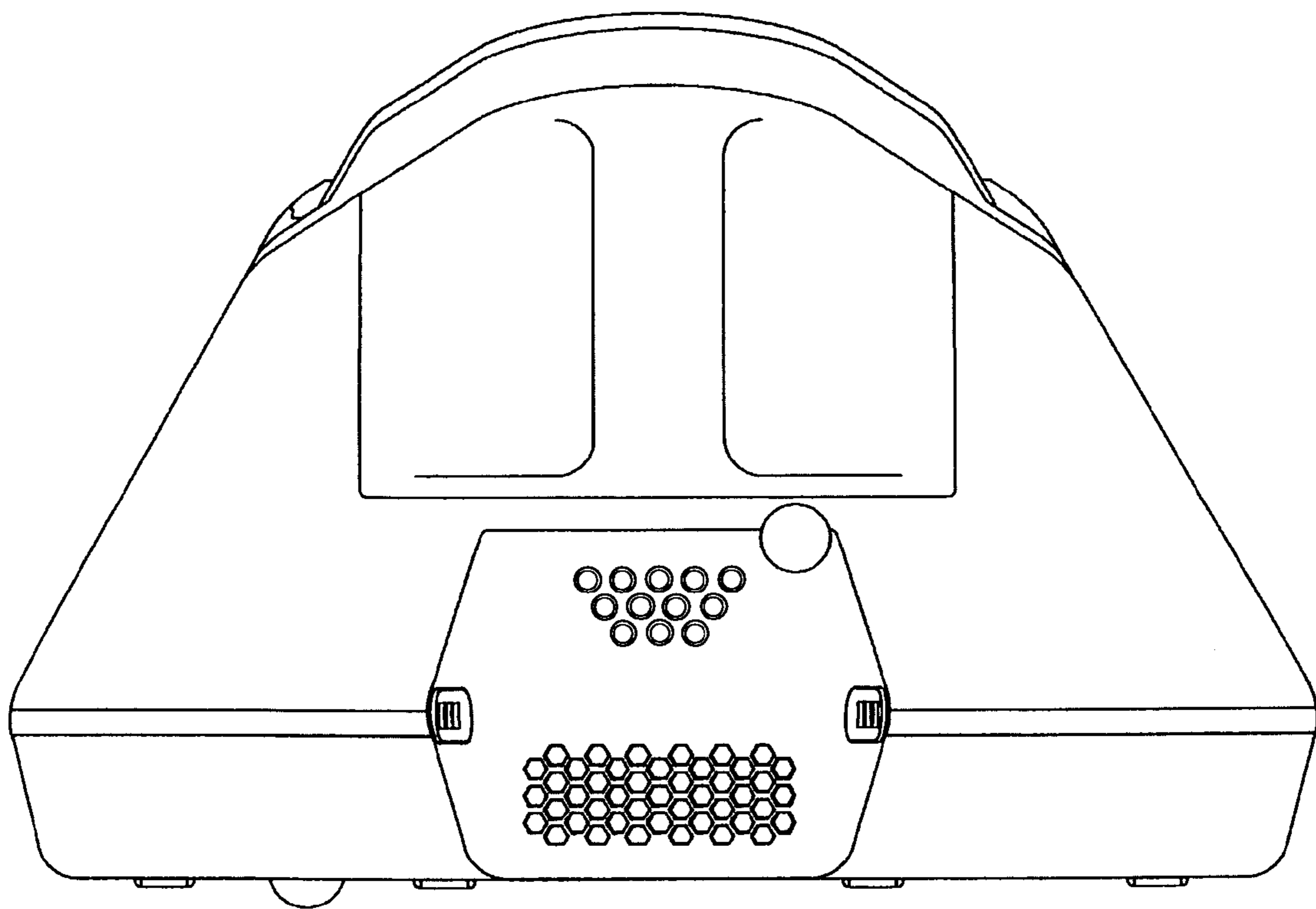


Fig. 4

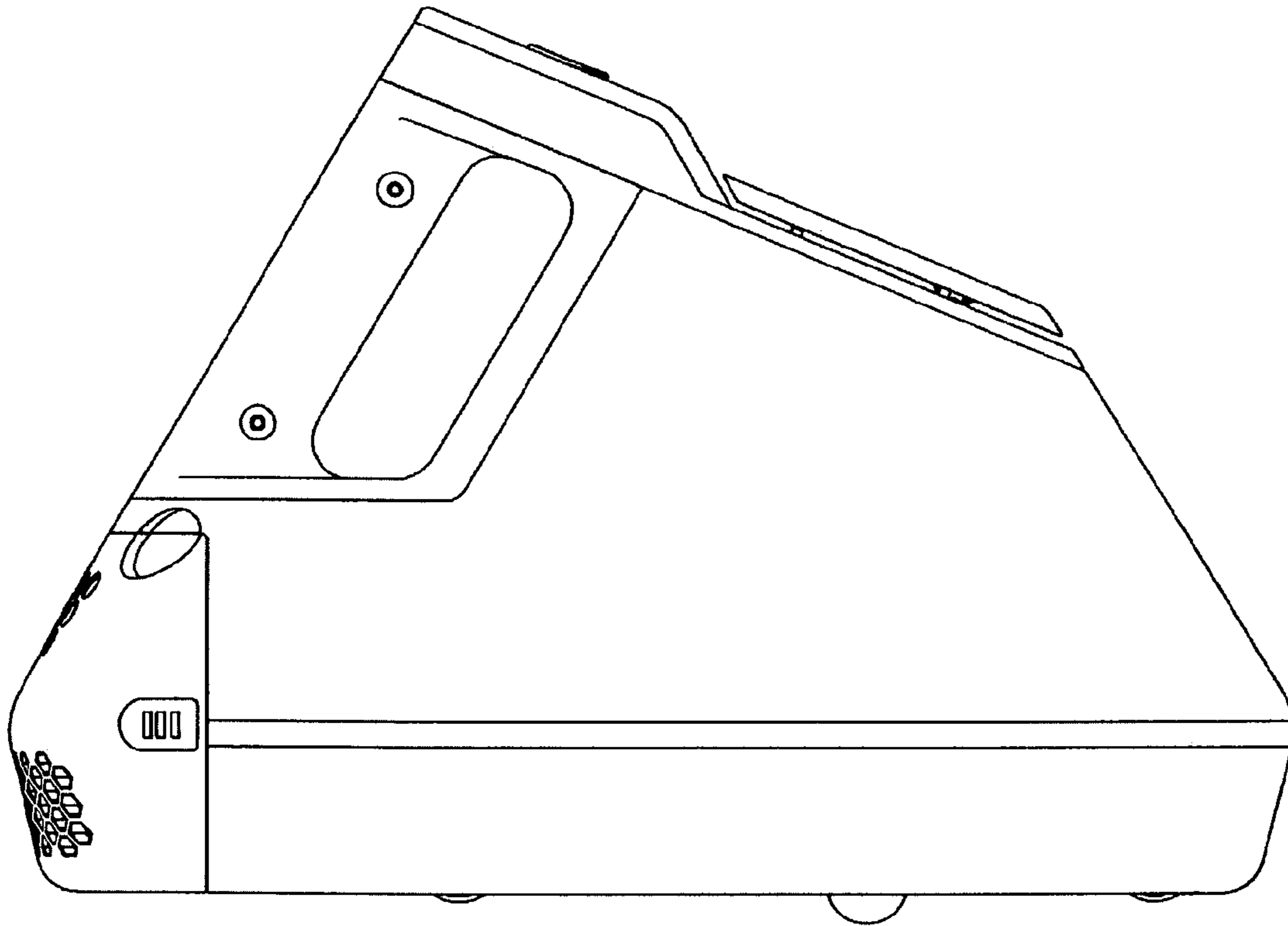


Fig. 5

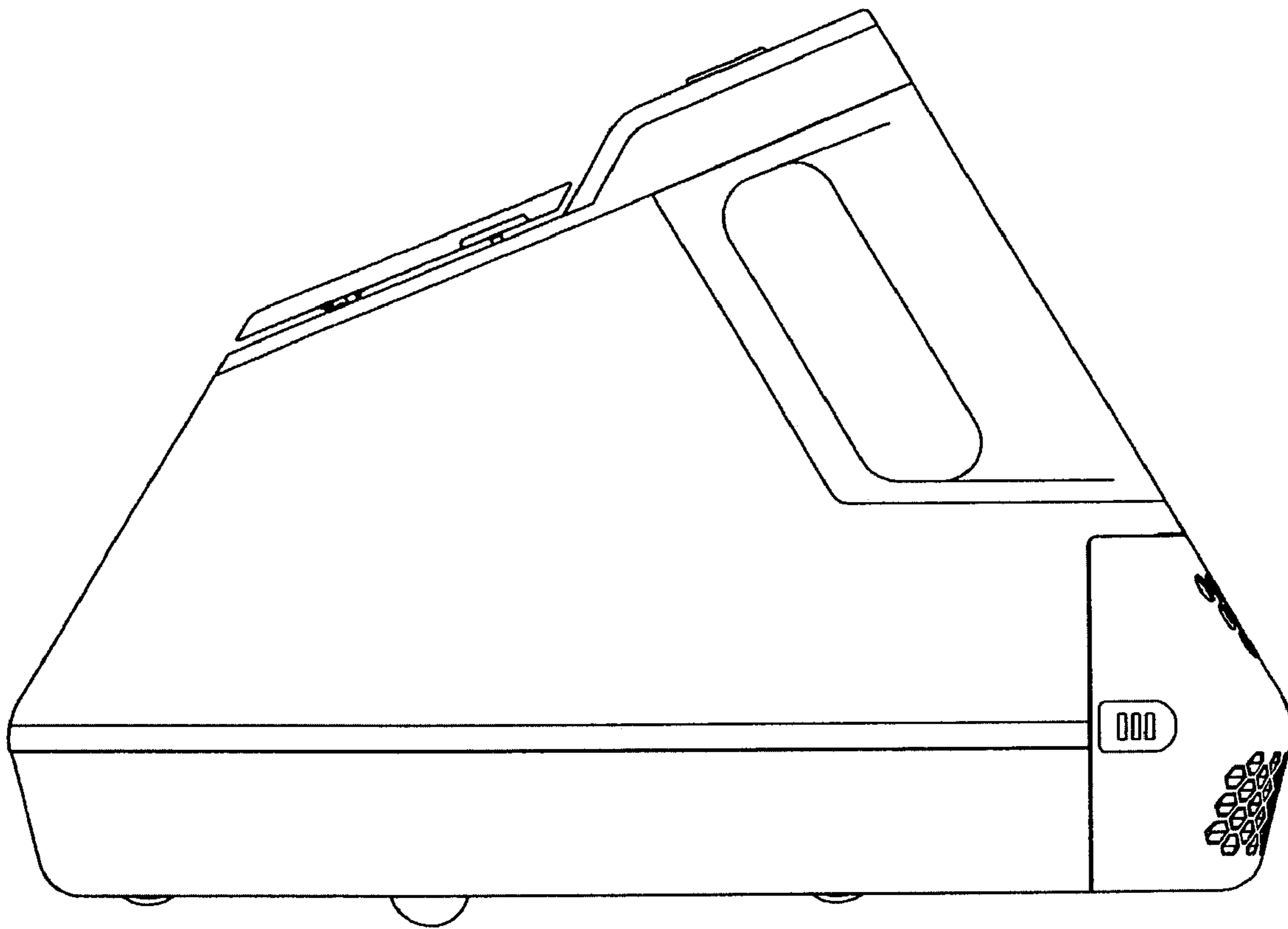


Fig. 6

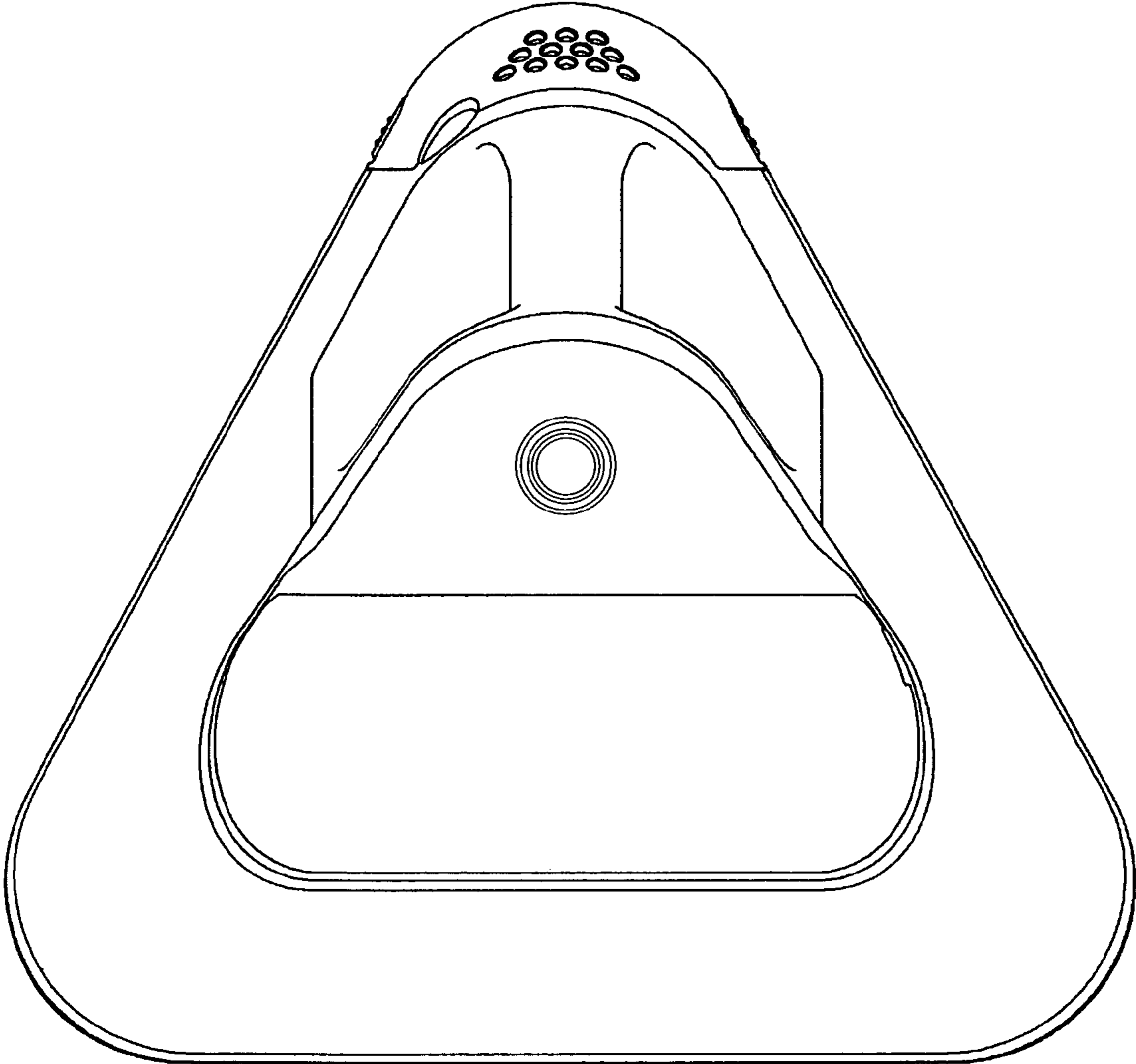


Fig. 7

