



US00D589217S

(12) **United States Design Patent**  
**Park et al.**

(10) **Patent No.:** **US D589,217 S**  
(45) **Date of Patent:** **\*\* Mar. 24, 2009**

(54) **WASHING MACHINE**

(75) Inventors: **So Jin Park**, Seoul (KR); **Seung Hyun Song**, Seoul (KR); **Jong Hee Han**, Gyeonggi-do (KR); **Na Jung Cho**, Seoul (KR); **Jae Seok Seong**, Gyeonggi-do (KR)

(73) Assignee: **LG Electronics Inc.**, Seoul (KR)

(\*\*) Term: **14 Years**

(21) Appl. No.: **29/309,491**

(22) Filed: **Aug. 22, 2008**

(30) **Foreign Application Priority Data**

Feb. 25, 2008 (KR) ..... 30-2008-0008020

(51) **LOC (9) Cl.** ..... **15-05**

(52) **U.S. Cl.** ..... **D32/6**

(58) **Field of Classification Search** ..... D32/1,  
D32/5-6, 8-9; 34/523-534, 87-88; 68/12.01,  
68/12.08, 3 R, 5 R

See application file for complete search history.

(56) **References Cited**

**U.S. PATENT DOCUMENTS**

D177,010 S \* 3/1956 Boldt ..... D32/6

D211,601 S \* 7/1968 Marshall et al. .... D32/6  
D236,152 S \* 7/1975 Yamamoto ..... D32/8  
D519,691 S \* 4/2006 Kim et al. .... D32/6  
D557,465 S \* 12/2007 Kim ..... D32/6  
D562,508 S \* 2/2008 Shin ..... D32/6  
D575,913 S \* 8/2008 Jeon et al. .... D32/6

\* cited by examiner

*Primary Examiner*—T. Chase Nelson

*Assistant Examiner*—Kathleen M Sims

(74) *Attorney, Agent, or Firm*—Morgan Lewis & Bockius LLP

(57) **CLAIM**

We claim the ornamental design for a washing machine, as shown and described.

**DESCRIPTION**

FIG. 1 is a perspective view of a washing machine showing the new design:

FIG. 2 is a front elevation view thereof;

FIG. 3 is a rear elevation view thereof;

FIG. 4 is a left-side elevation view thereof;

FIG. 5 is a right-side elevation view thereof;

FIG. 6 is a top plan view thereof; and,

FIG. 7 is a bottom plan view thereof.

**1 Claim, 6 Drawing Sheets**

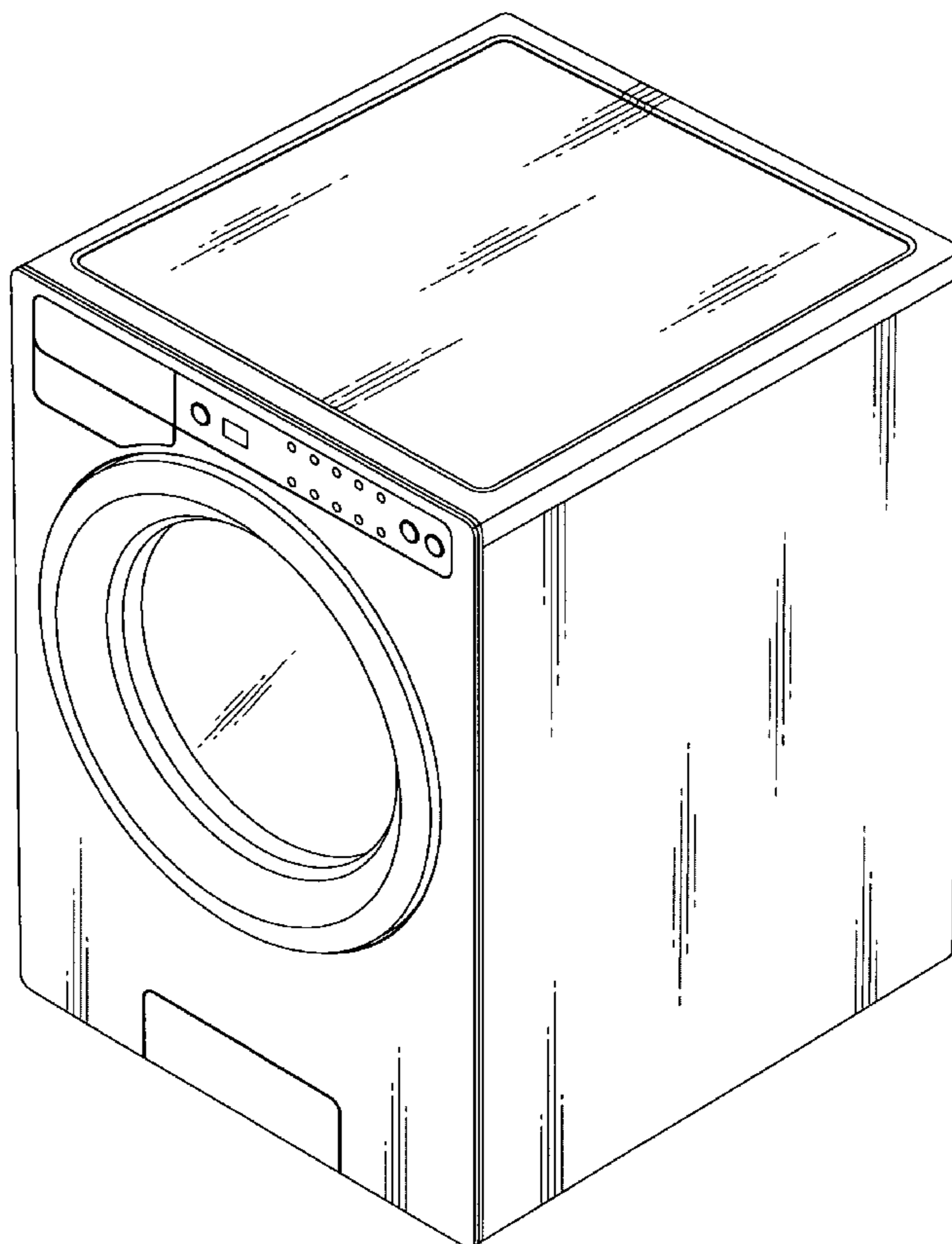
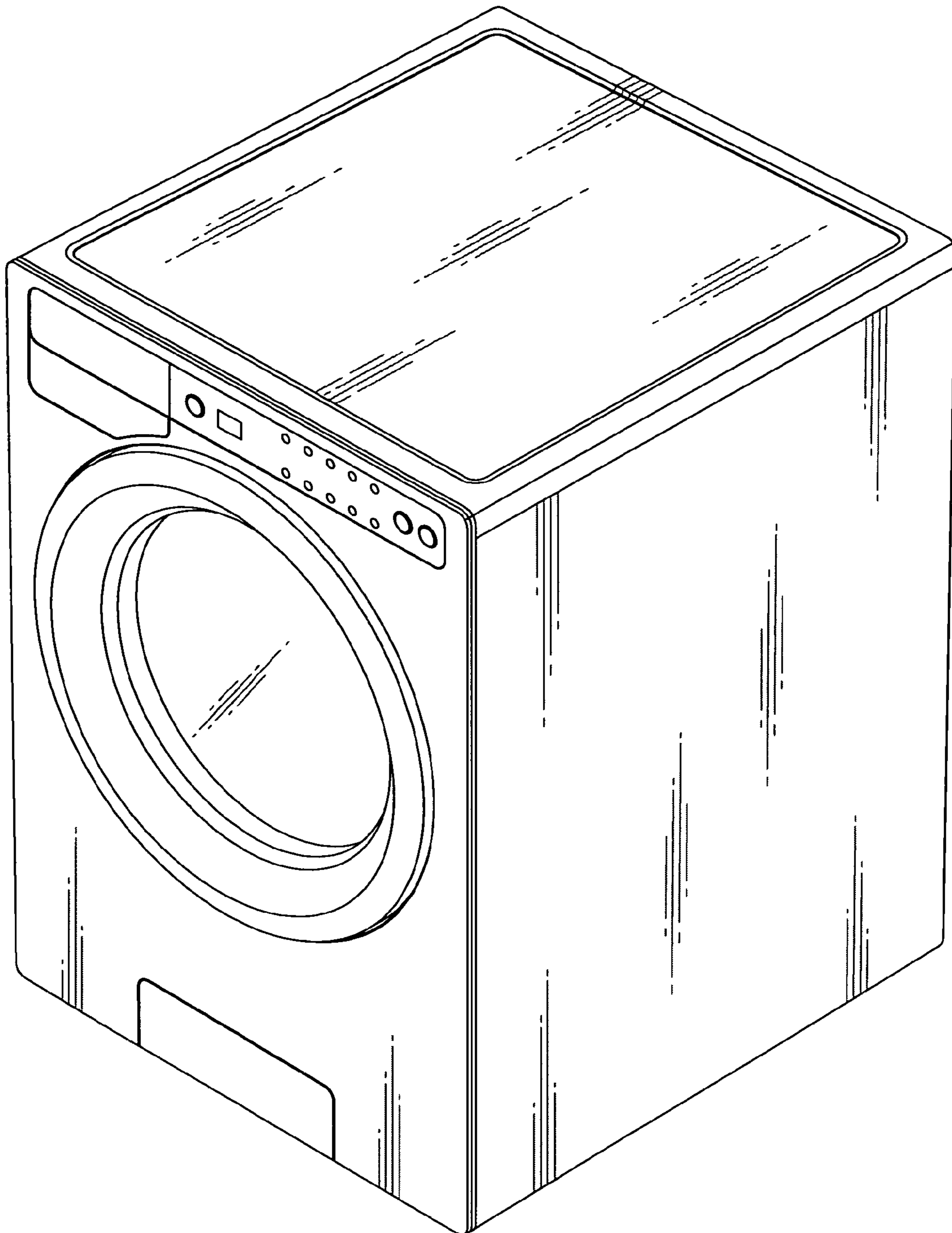
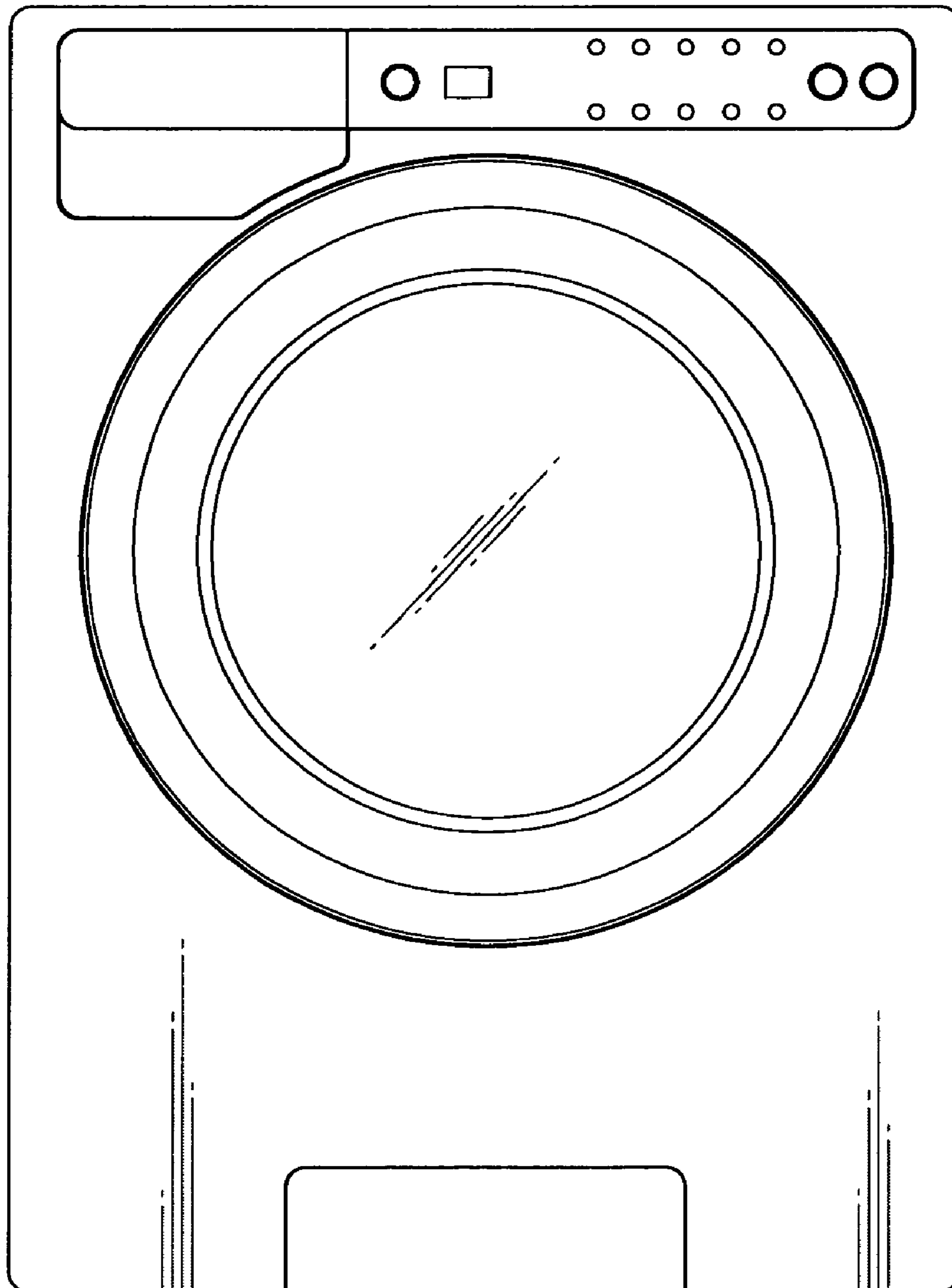


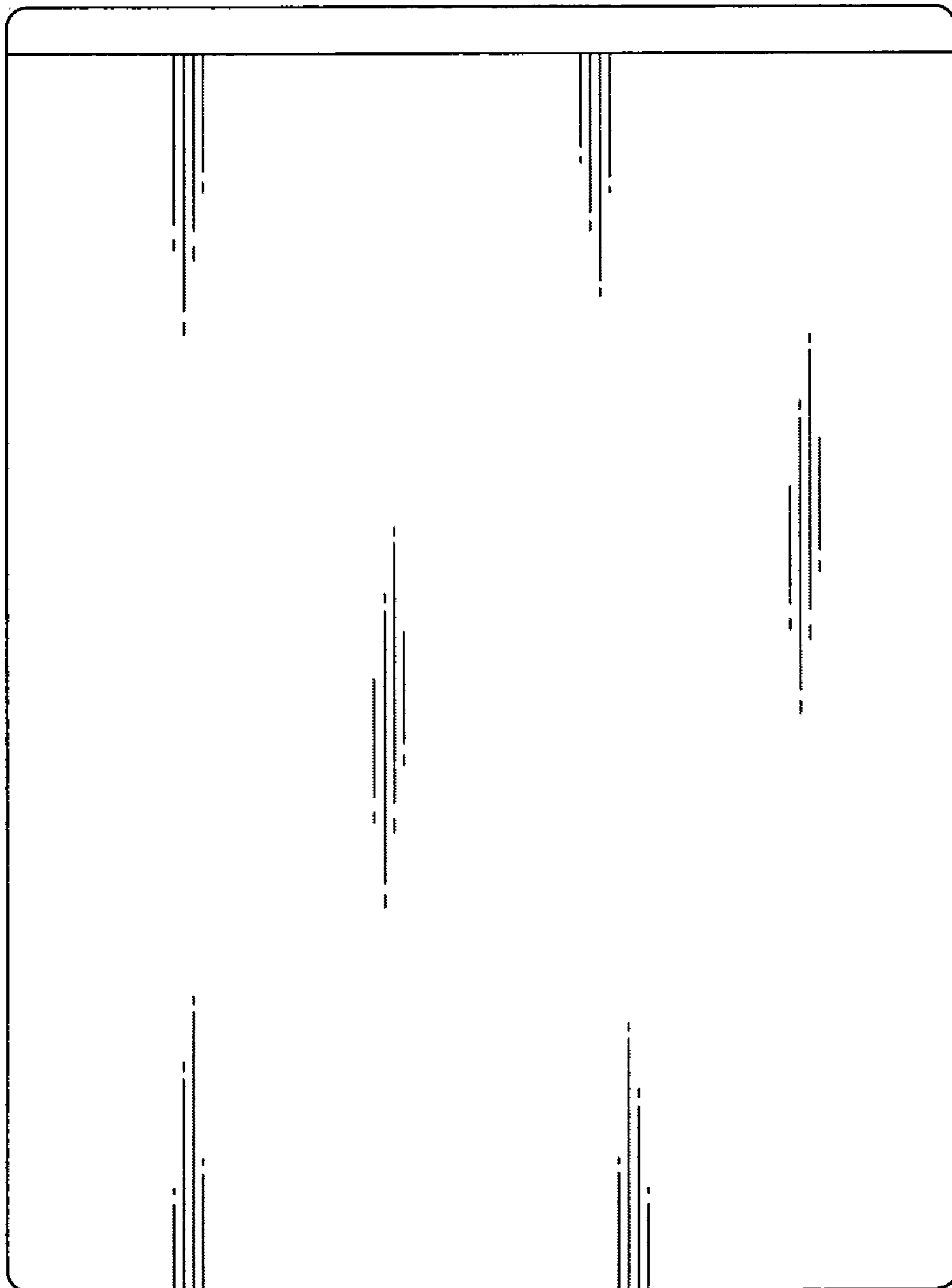
FIG. 1



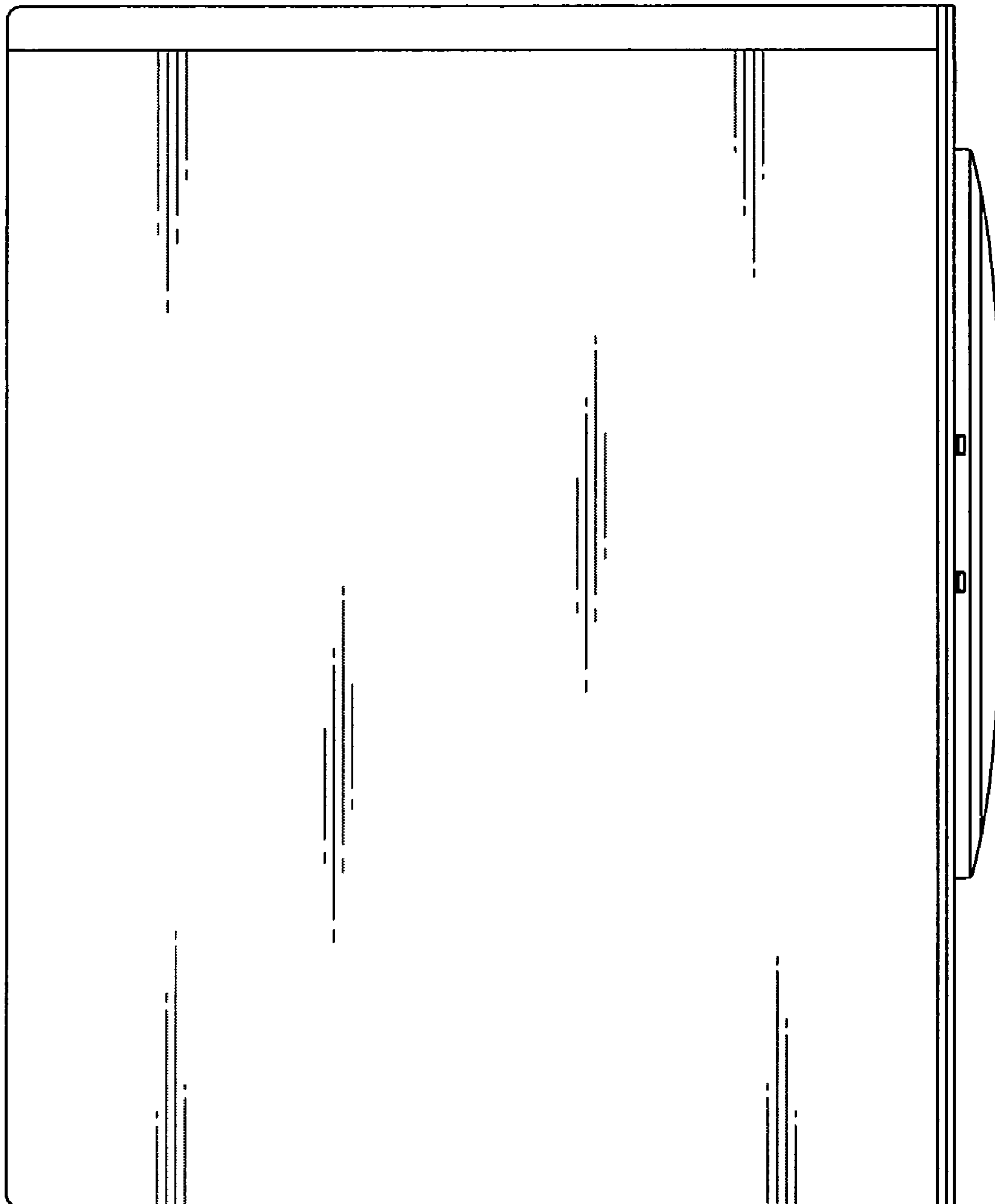
# FIG. 2



# FIG. 3



# FIG. 4



# FIG. 5

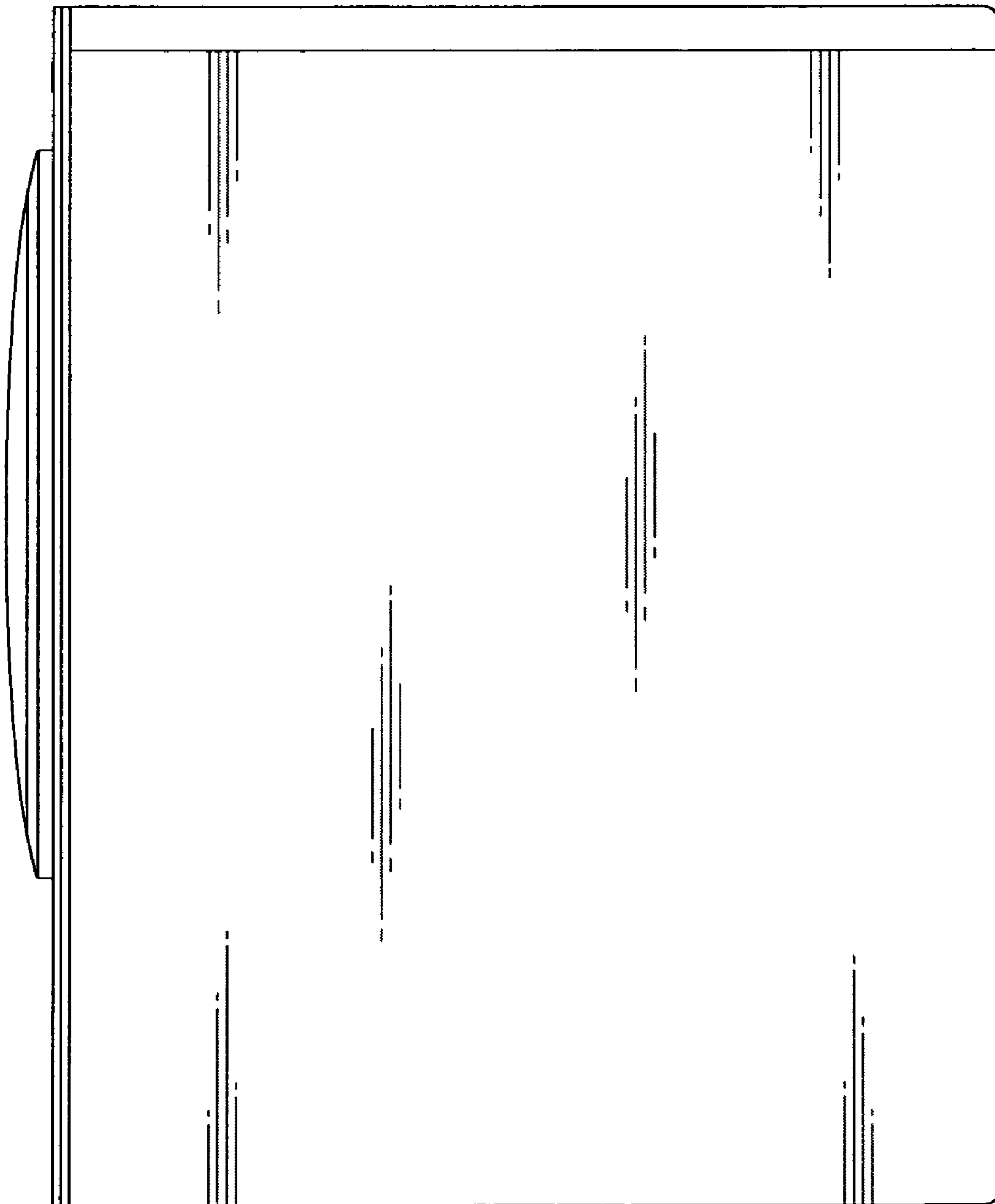


FIG. 6

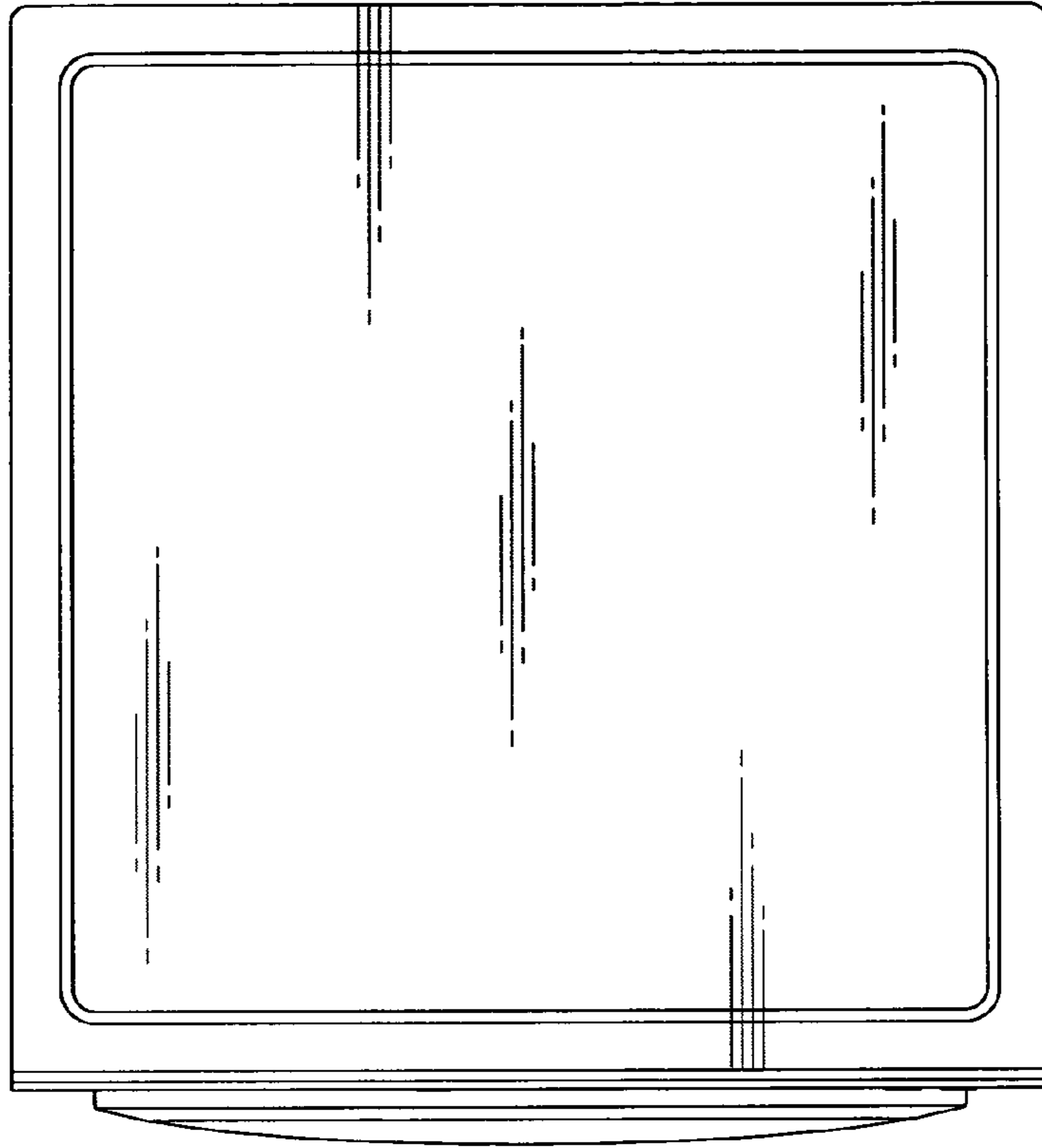


FIG. 7

