



US00D589215S

(12) **United States Design Patent**
Cho et al.

(10) **Patent No.:** **US D589,215 S**
(45) **Date of Patent:** **** Mar. 24, 2009**

(54) **WASHING MACHINE**

(75) Inventors: **Kyeong Chul Cho**, Seoul (KR); **Bo Won Suh**, Gwangmyeong-Shi (KR); **Seung Hyun Song**, Seoul (KR); **Hyoung Won Roh**, Seoul (KR)

(73) Assignee: **LG Electronics Inc.**, Seoul (KR)

(**) Term: **14 Years**

(21) Appl. No.: **29/300,593**

(22) Filed: **Apr. 15, 2008**

(30) **Foreign Application Priority Data**

Oct. 29, 2007 (KR) 30-2007-0045066

(51) **LOC (9) Cl.** **15-05**

(52) **U.S. Cl.** **D32/6**

(58) **Field of Classification Search** 68/3 R,
68/5 R, 12.01, 12.08, 212; D32/1, 5-6, 8,
D32/10; 34/523-524, 87-88, 108, 130-132,
34/595-597, 600, 417, 499, 534; 312/31
See application file for complete search history.

(56) **References Cited**

U.S. PATENT DOCUMENTS

D496,709 S * 9/2004 Suh et al. D32/6

D517,257 S * 3/2006 Kim et al. D32/6
D517,756 S * 3/2006 Ha et al. D32/6
D520,686 S * 5/2006 Jeon et al. D32/6
D550,907 S * 9/2007 Jeon et al. D32/6
D559,480 S * 1/2008 Kwon et al. D32/6
D572,419 S * 7/2008 Park et al. D32/6

* cited by examiner

Primary Examiner—T. Chase Nelson

Assistant Examiner—Kathleen M Sims

(74) *Attorney, Agent, or Firm*—Morgan Lewis & Bockius LLP

(57) **CLAIM**

We claim the ornamental design for a washing machine, as shown and described.

DESCRIPTION

FIG. 1 is a perspective view of a washing machine showing our new design;

FIG. 2 is a front elevation view thereof;

FIG. 3 is a rear elevation view thereof;

FIG. 4 is a left-side elevation view thereof;

FIG. 5 is a right-side elevation view thereof;

FIG. 6 is a top plan view thereof; and,

FIG. 7 is a bottom plan view thereof.

1 Claim, 7 Drawing Sheets

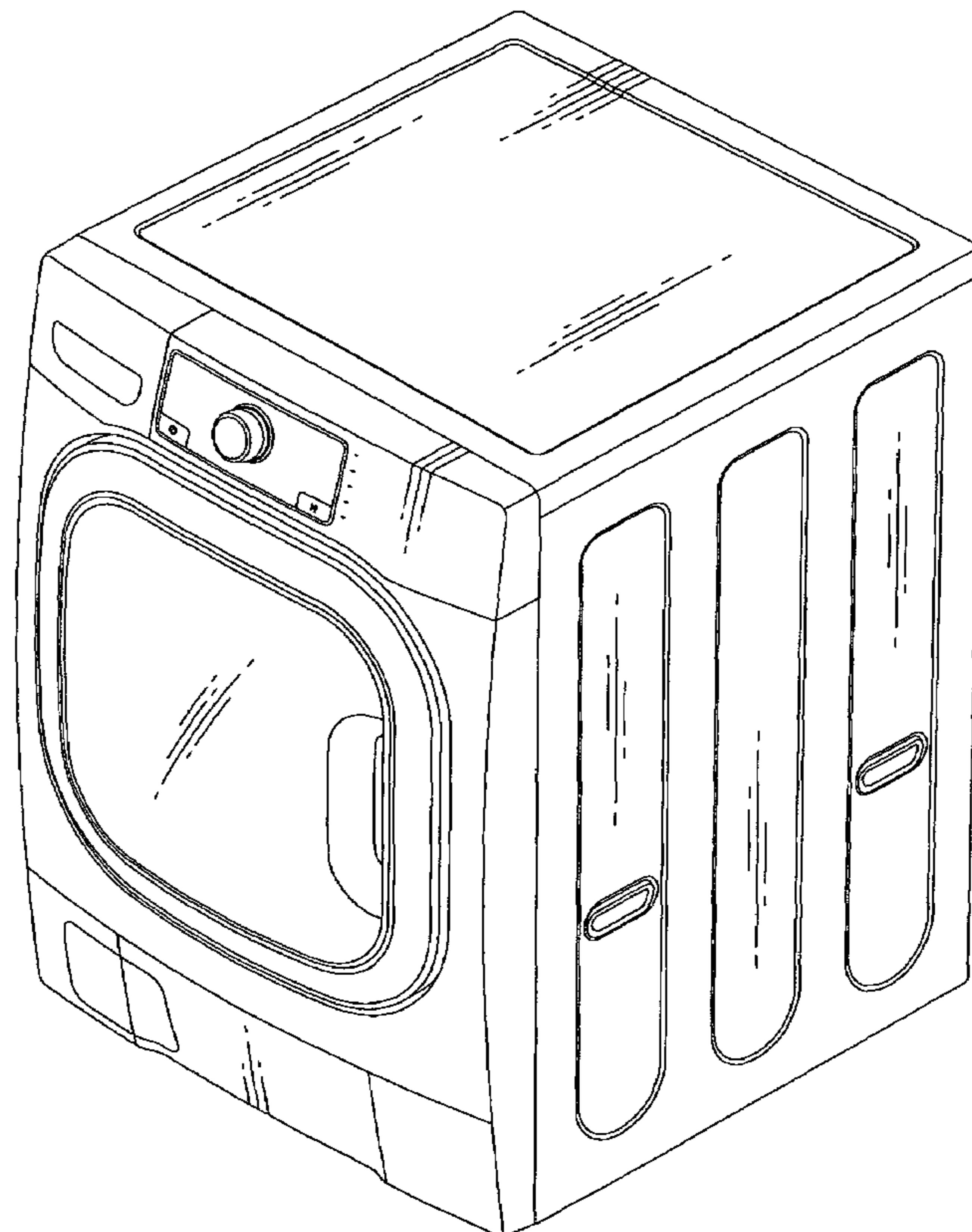


FIG. 1

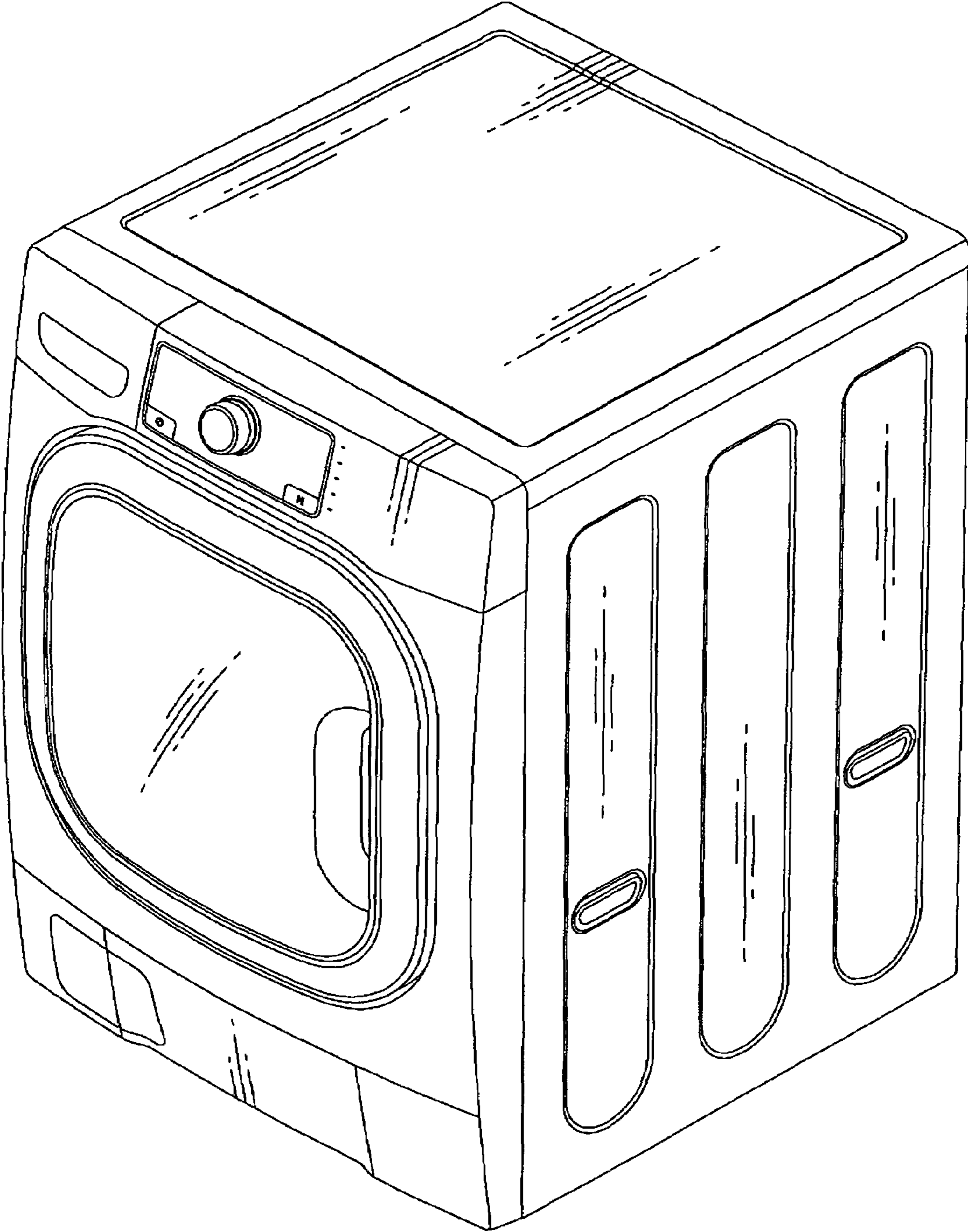


FIG. 2

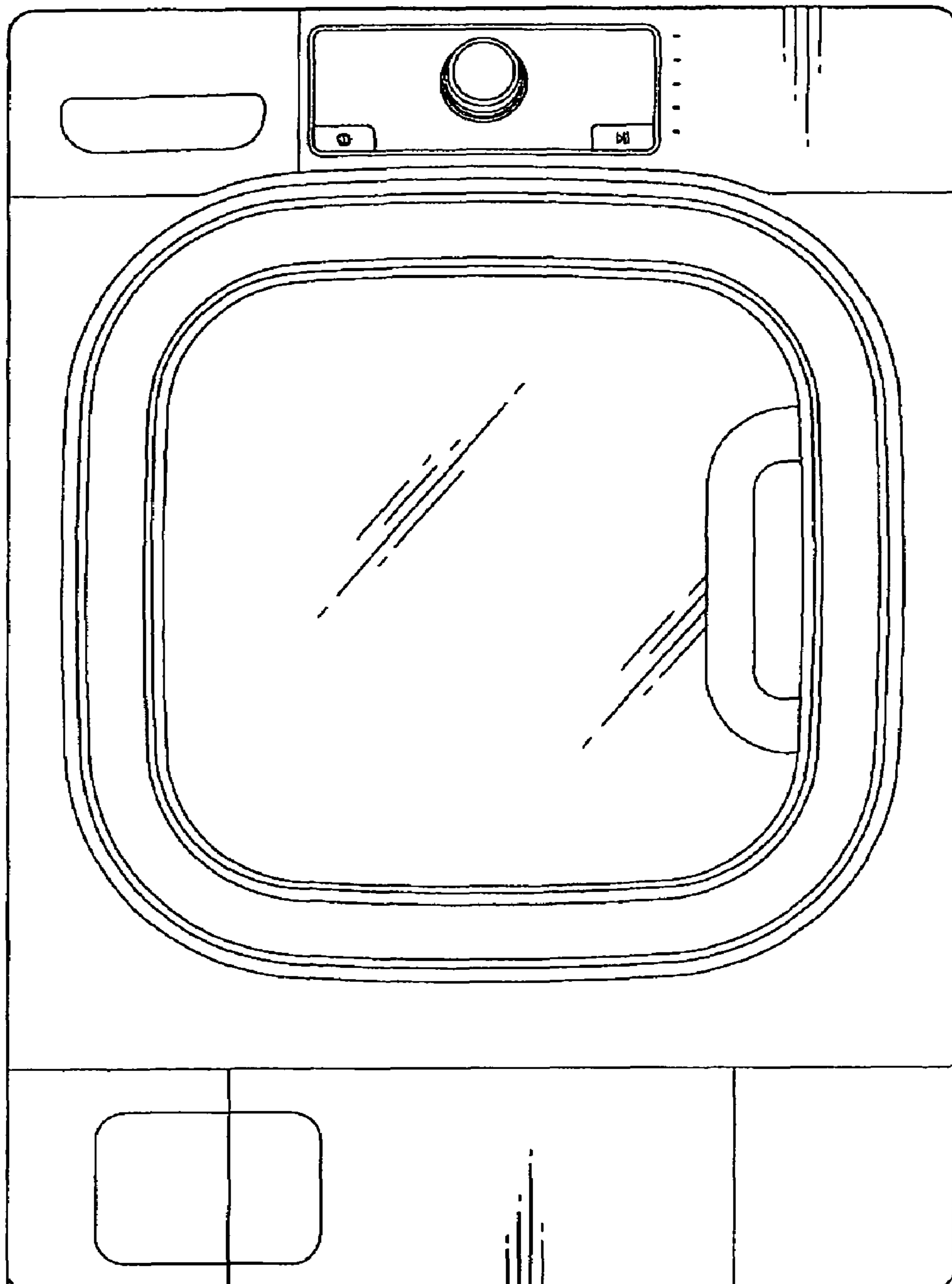


FIG. 3

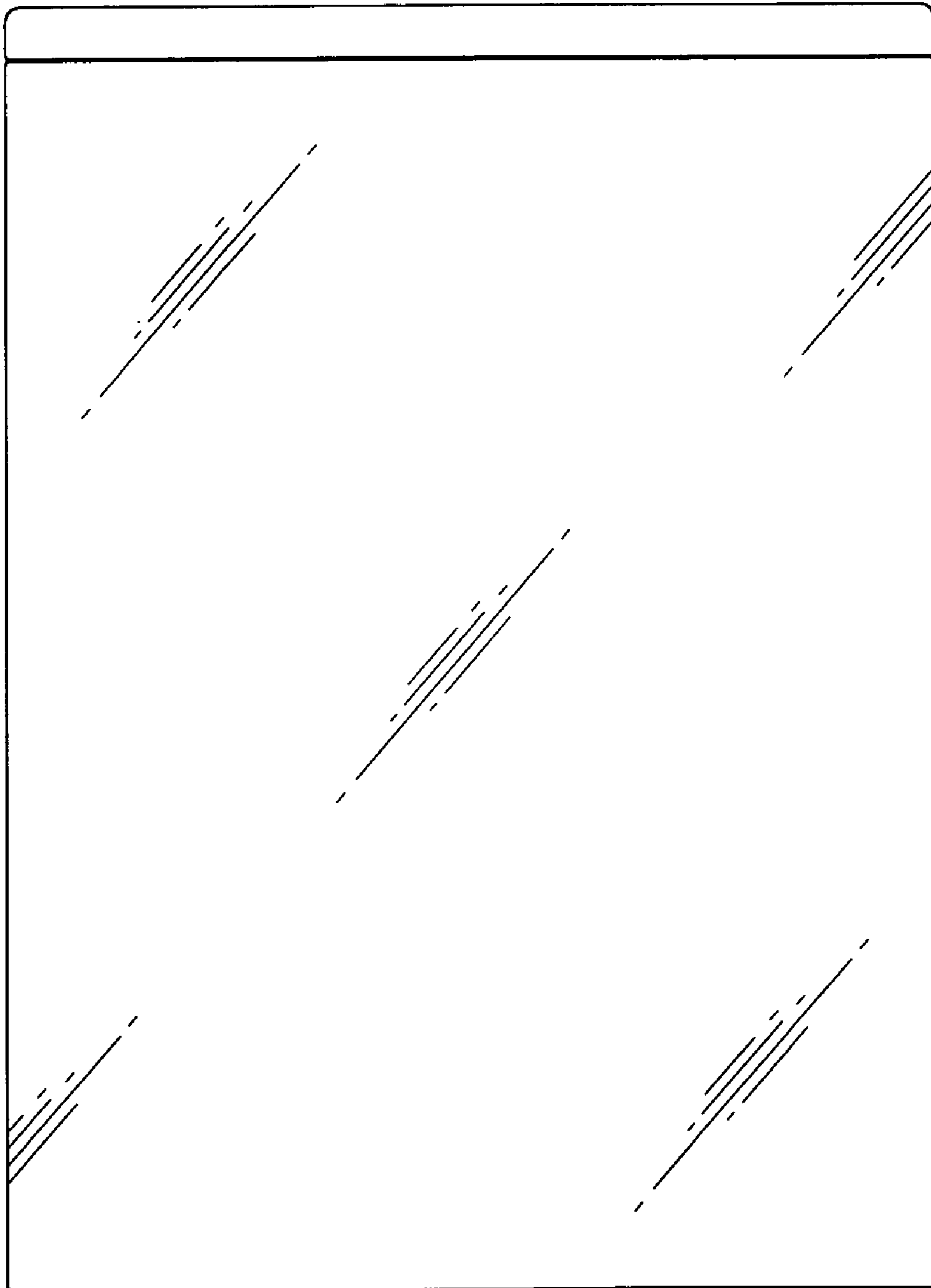


FIG. 4

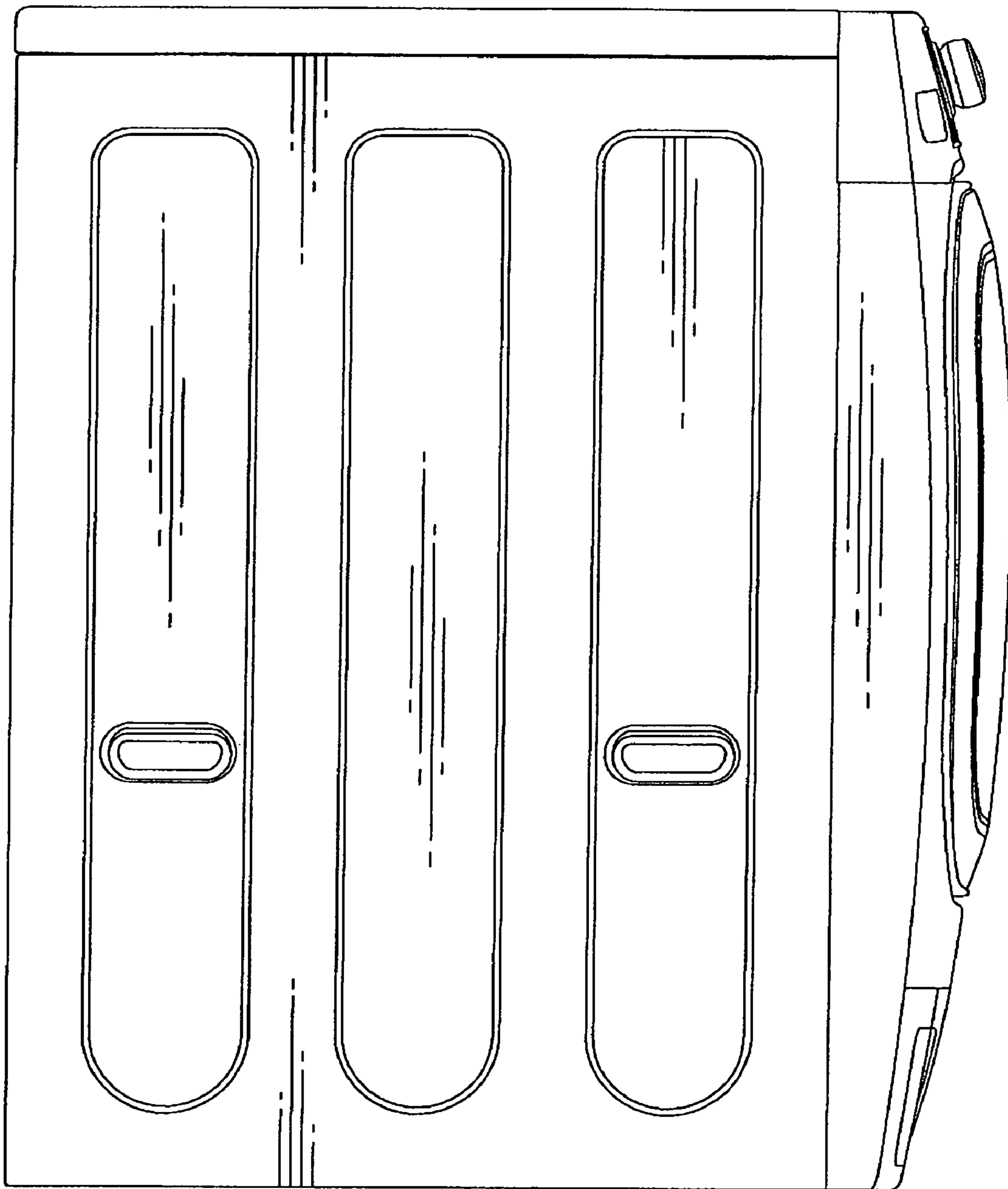


FIG. 5

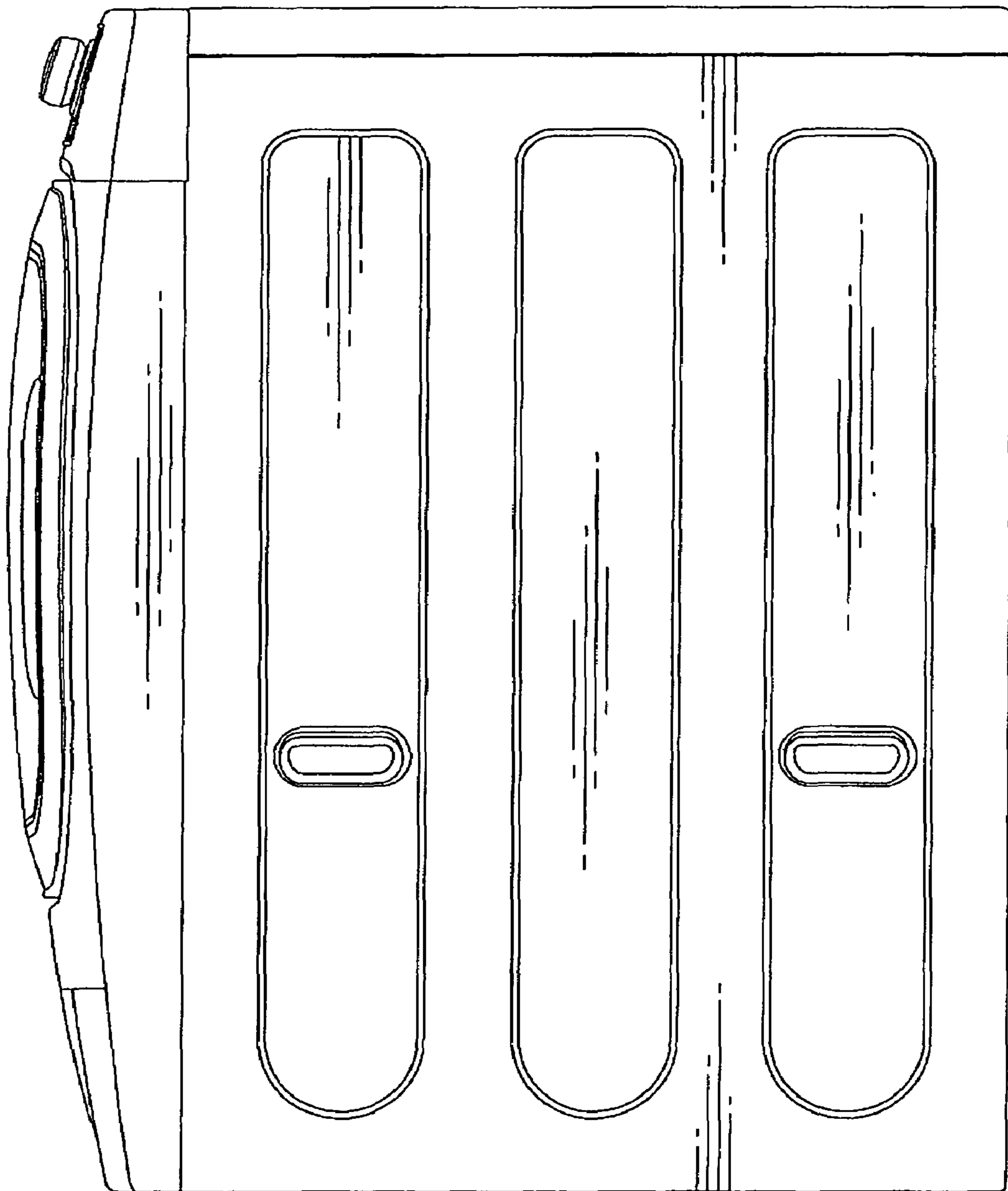


FIG. 6

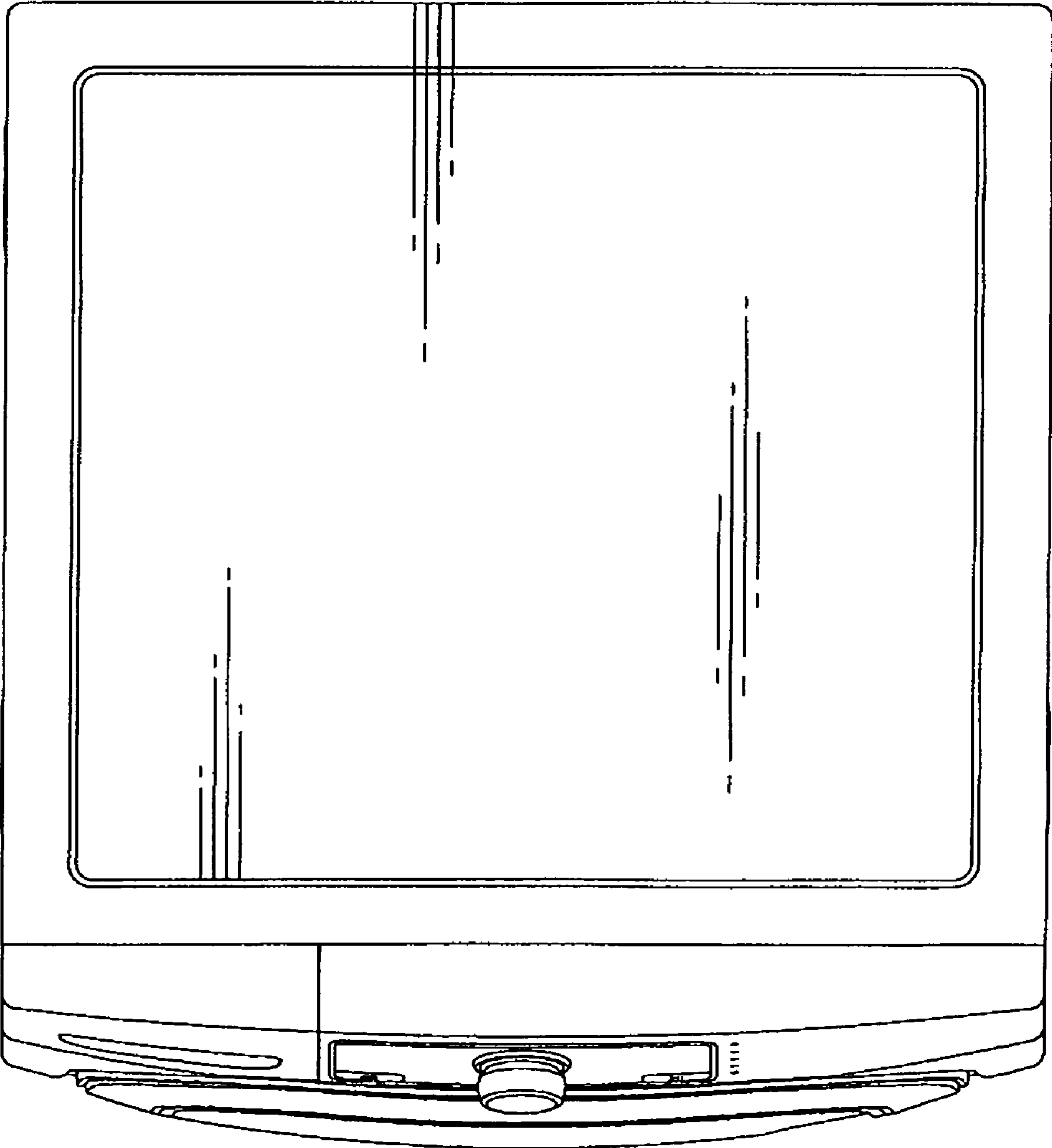


FIG. 7

