



US00D589214S

(12) **United States Design Patent**
Johnston

(10) **Patent No.:** **US D589,214 S**
(45) **Date of Patent:** **** Mar. 24, 2009**

(54) **CALF PEN FEEDER BUCKET**

(76) Inventor: **Barry Johnston**, 11604 Yarborough Ave., Bakersfield, CA (US) 93312

(**) Term: **14 Years**

(21) Appl. No.: **29/308,545**

(22) Filed: **Jun. 18, 2008**

(51) **LOC (9) Cl.** **30-03**

(52) **U.S. Cl.** **D30/131**

(58) **Field of Classification Search** D30/121, D30/122, 129-133; 119/61.5, 51.01, 61.56, 119/51.03, 59, 62, 63, 51.5, 57.8, 74, 61.54, 119/61.55, 71, 61.57, 477, 454, 515, 464; 312/204, 327; 248/151, 188, 222.14, 210; 108/153.1-157; 220/23.87, 630, 737, 743, 220/9.4, 495.01, 574, 212, 255, 23.83, 482, 220/758, 671, 769, 776, 904, 751, 770; 206/515, 206/524.5; D7/586, 543, 550.1, 587, 505, D7/584, 545, 500, 553.1-553.8, 546, 555, D7/556, 504, 565, 562, 602; D9/429; 43/109; D22/122; 99/430, DIG. 15; D32/53; 222/465.1
See application file for complete search history.

(56) **References Cited**

U.S. PATENT DOCUMENTS

D139,569 S * 11/1944 O'Brien D32/53
2,523,762 A 9/1950 Howard
2,620,006 A * 12/1952 Sorron-Zabala 220/758
D190,532 S * 6/1961 Heimsoth D30/121
D200,265 S * 2/1965 Smith et al. D32/53
3,292,815 A * 12/1966 Smith et al. 220/736
3,329,321 A * 7/1967 Moore 222/465.1

D208,276 S * 8/1967 Moore D32/53
D232,846 S * 9/1974 Fusco et al. D30/121
D254,754 S * 4/1980 Harrison D30/129
4,798,170 A 1/1989 DePiazzy
4,825,590 A 5/1989 Cullinane
4,869,385 A 9/1989 Blinsinger
5,064,090 A 11/1991 Farrier
D353,241 S * 12/1994 Breen D32/53
D389,626 S * 1/1998 Lundy D32/53
6,189,489 B1 * 2/2001 Pearce 119/477
6,260,663 B1 * 7/2001 Combs 182/129
D451,648 S * 12/2001 Johnson D30/129
6,783,021 B2 8/2004 Kaura
D515,263 S * 2/2006 Libman et al. D32/53
D527,153 S * 8/2006 Morad et al. D32/53

* cited by examiner

Primary Examiner—Susan Moon Lee

(74) *Attorney, Agent, or Firm*—James M. Duncan, Esq.; Klein, DeNatale, Goldner et al.

(57) **CLAIM**

I claim the ornamental design for a calf pen feeder bucket, as shown.

DESCRIPTION

FIG. 1 is a top view of the calf pen feeder bucket of my new design.

FIG. 2 is a rear elevation view of the calf pen feeder bucket.

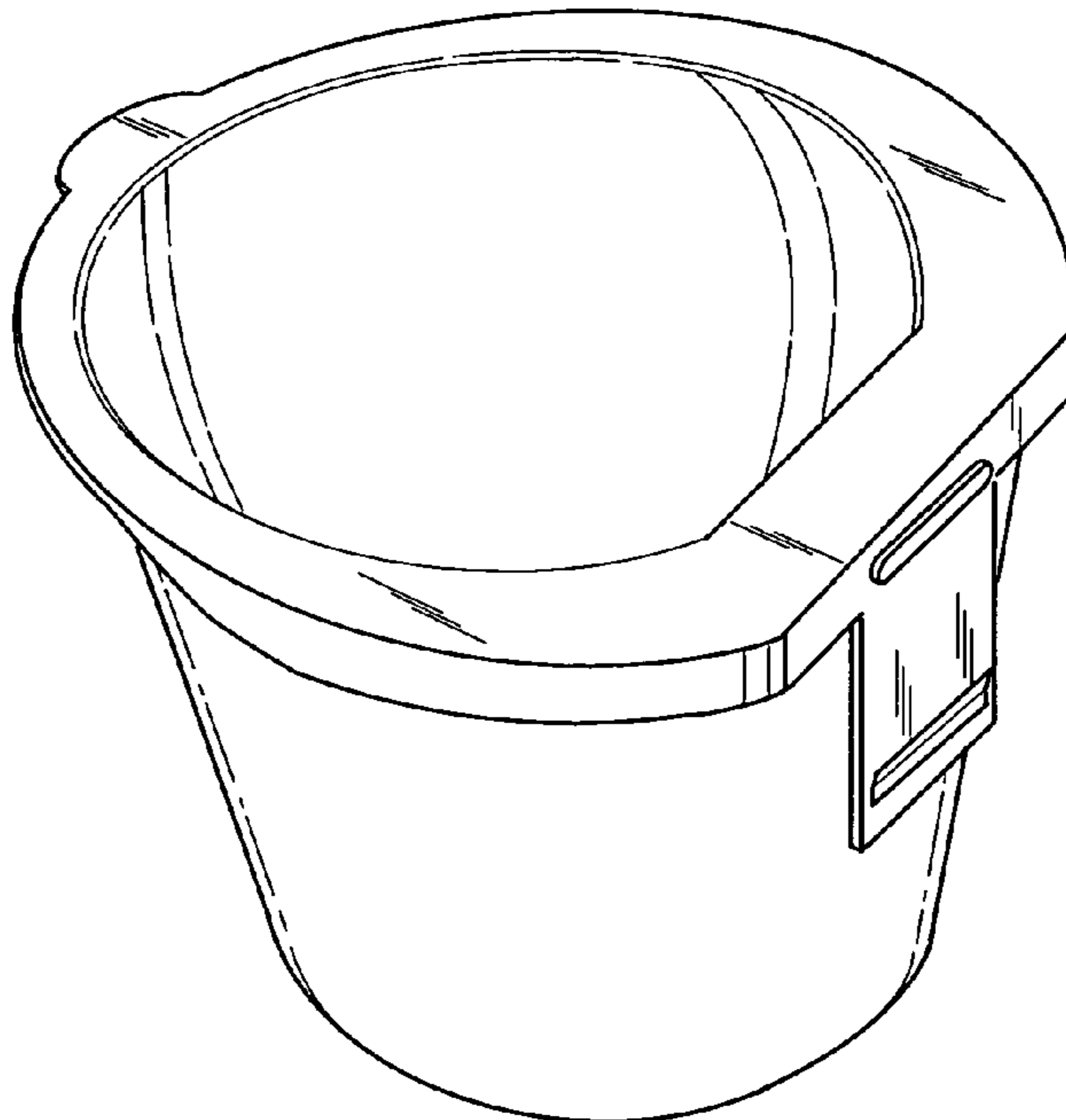
FIG. 3 is a side elevation view of the calf pen feeder bucket.

FIG. 4 is a front elevation view of the calf pen feeder bucket.

FIG. 5 is a bottom view of the calf pen feeder bucket; and,

FIG. 6 is a perspective view of the calf pen feeder bucket.

1 Claim, 4 Drawing Sheets



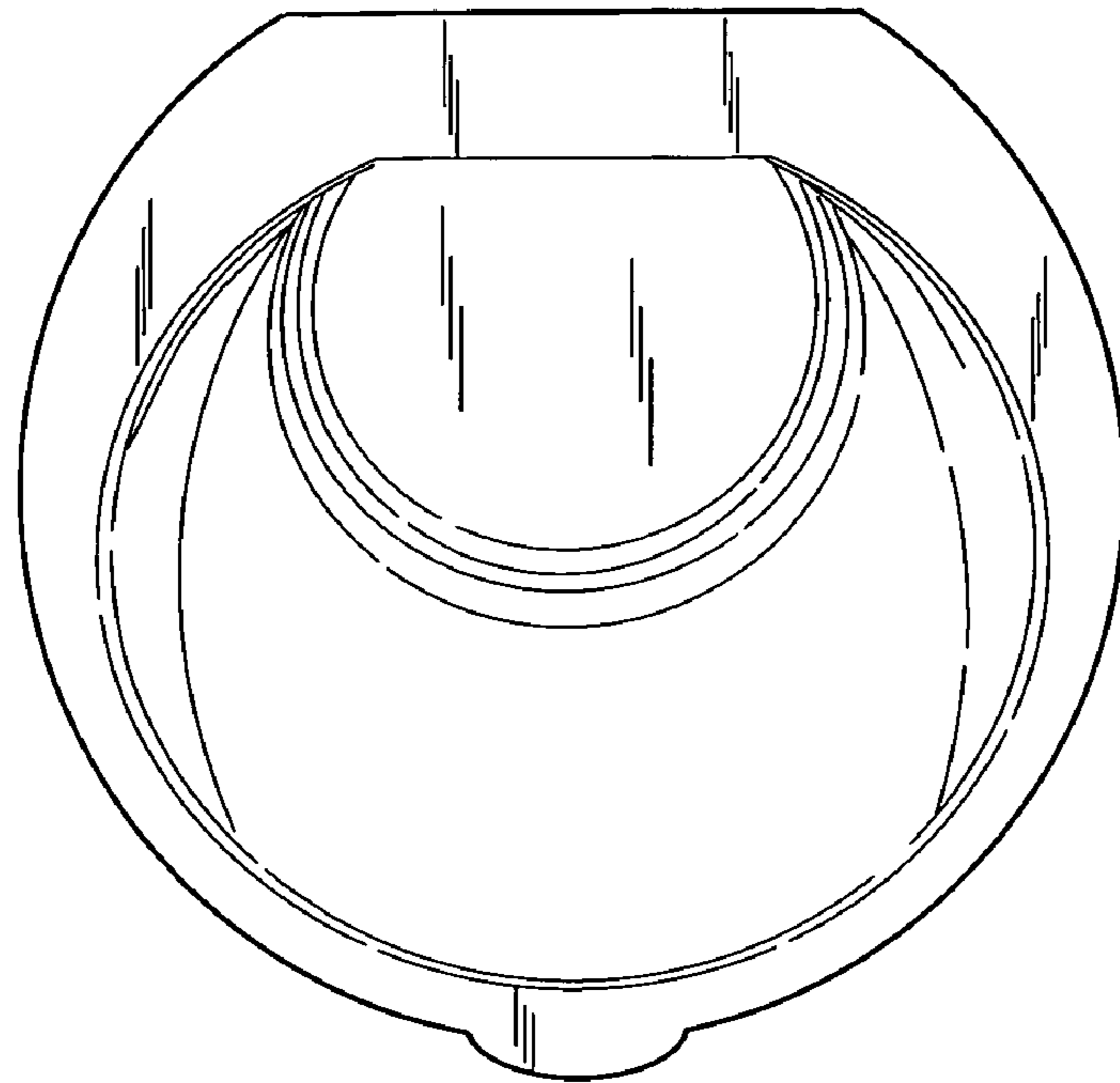


Fig. 1

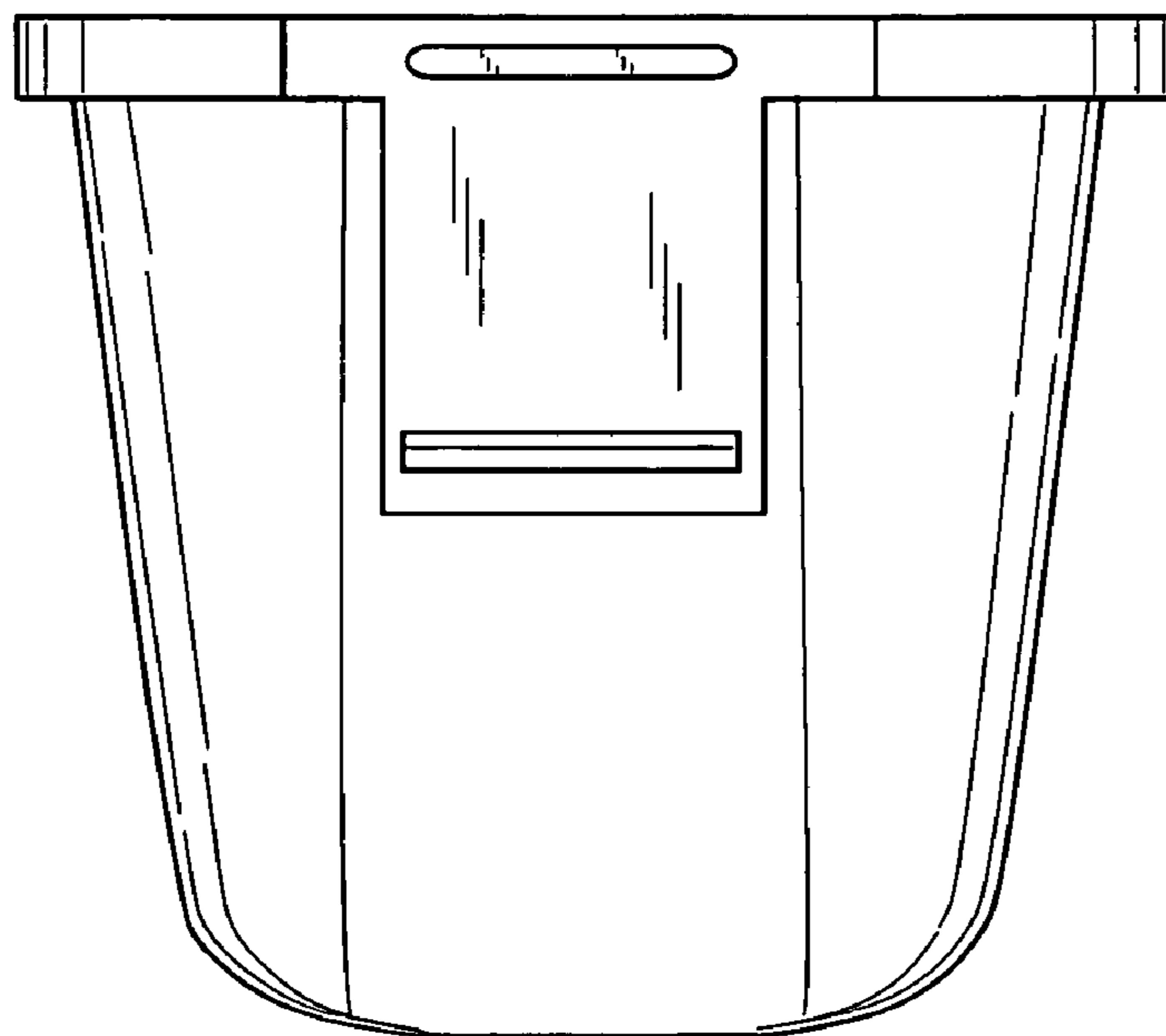


Fig. 2

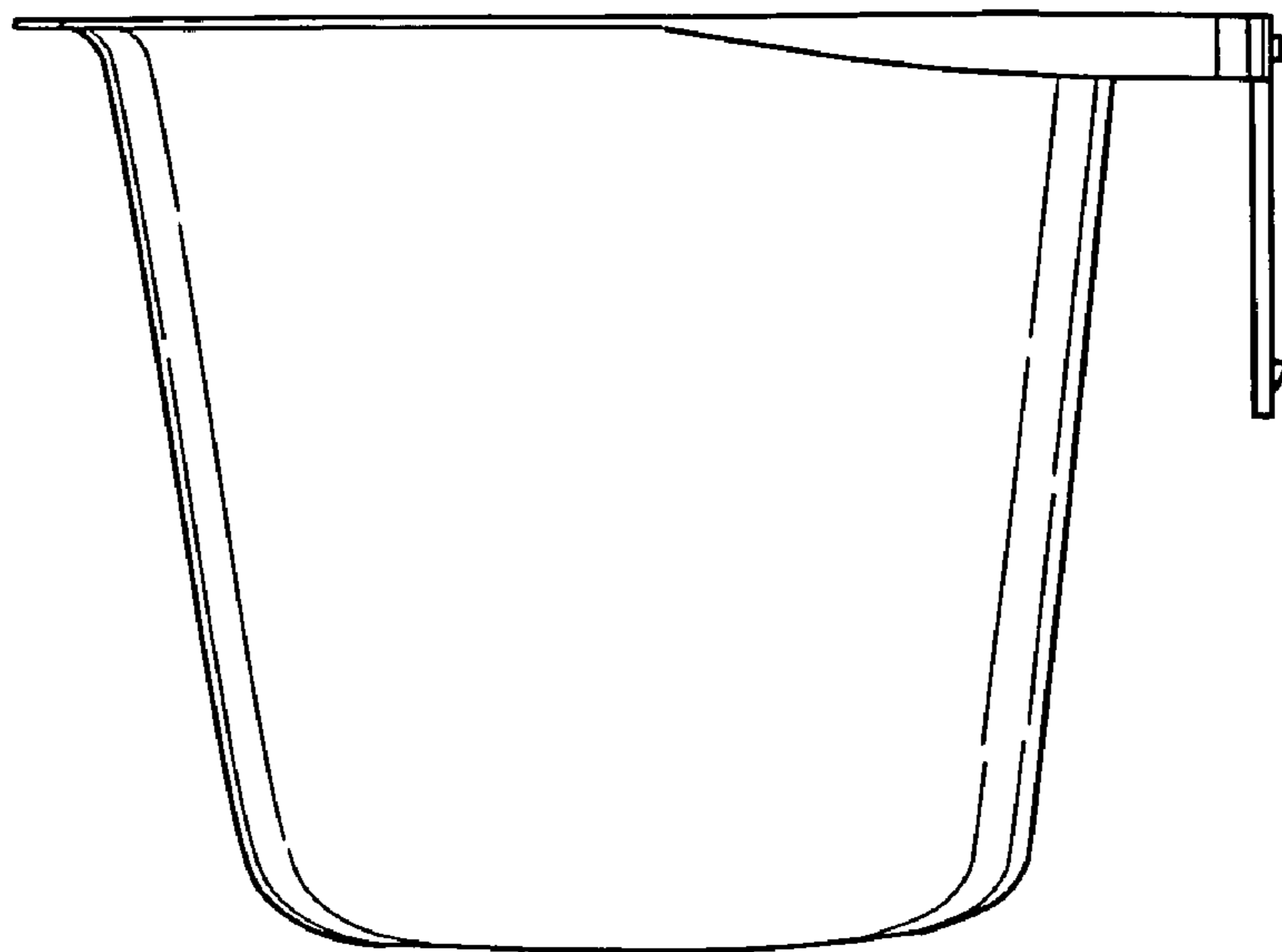


Fig. 3

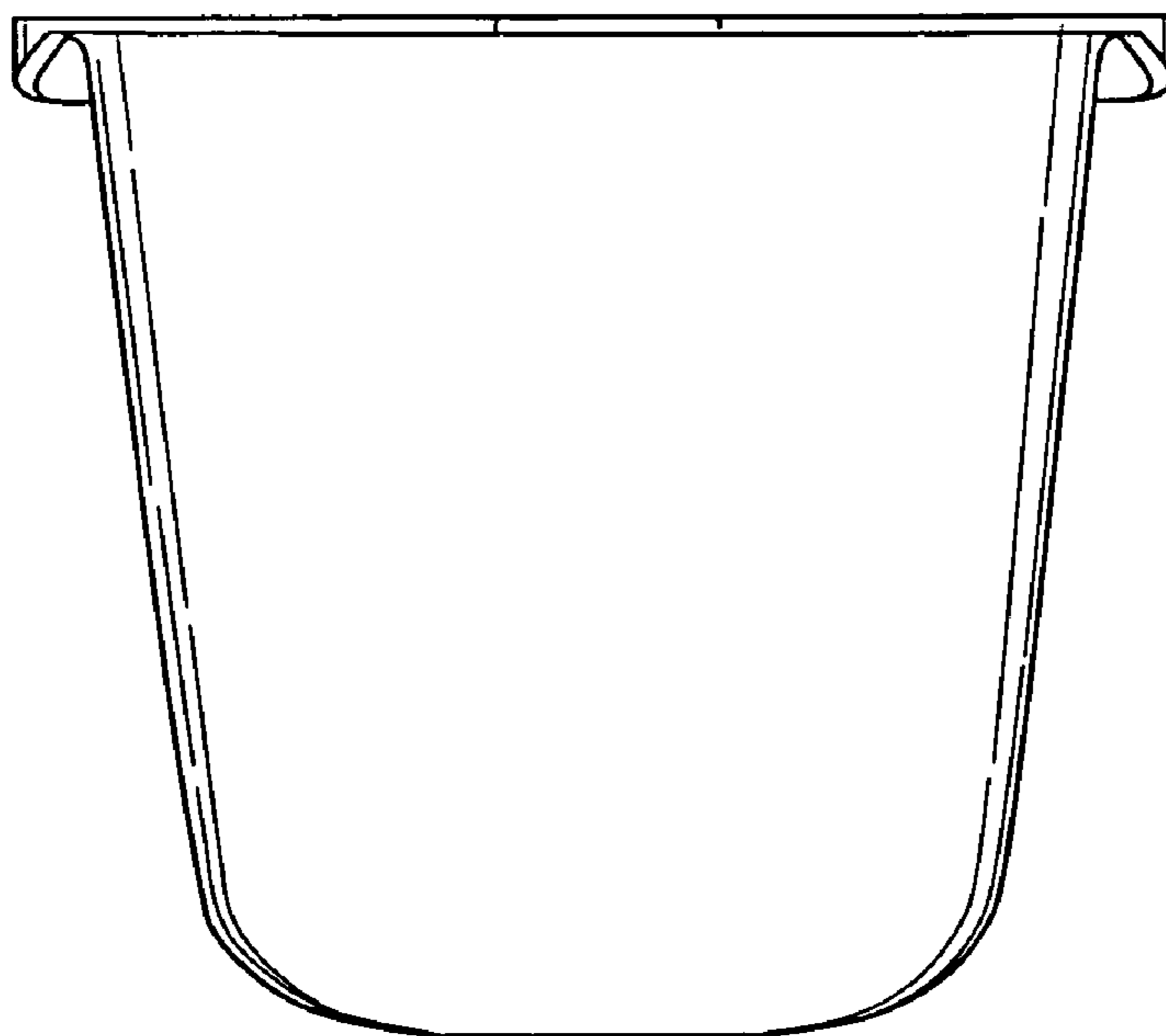


Fig. 4

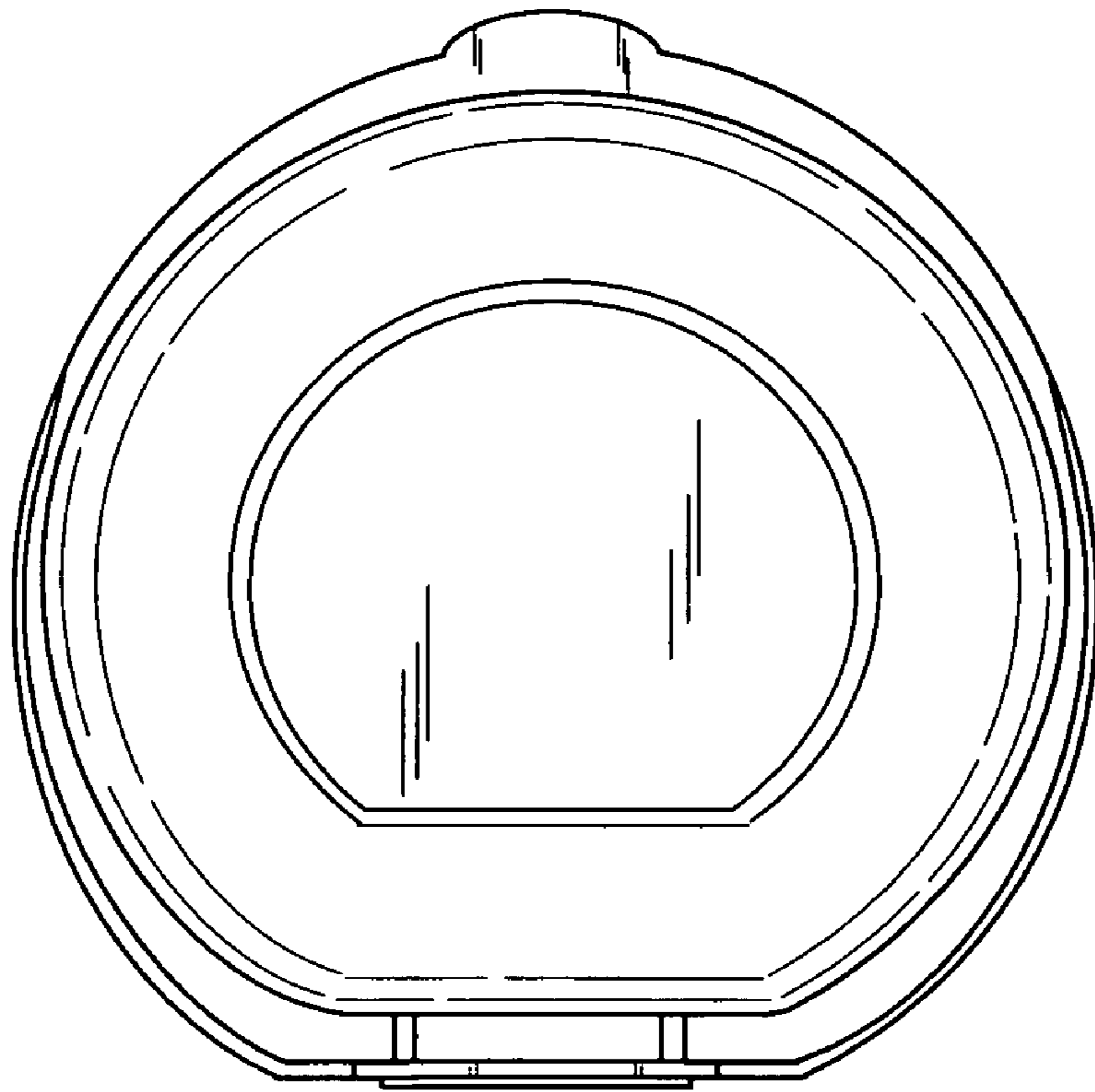


Fig. 5

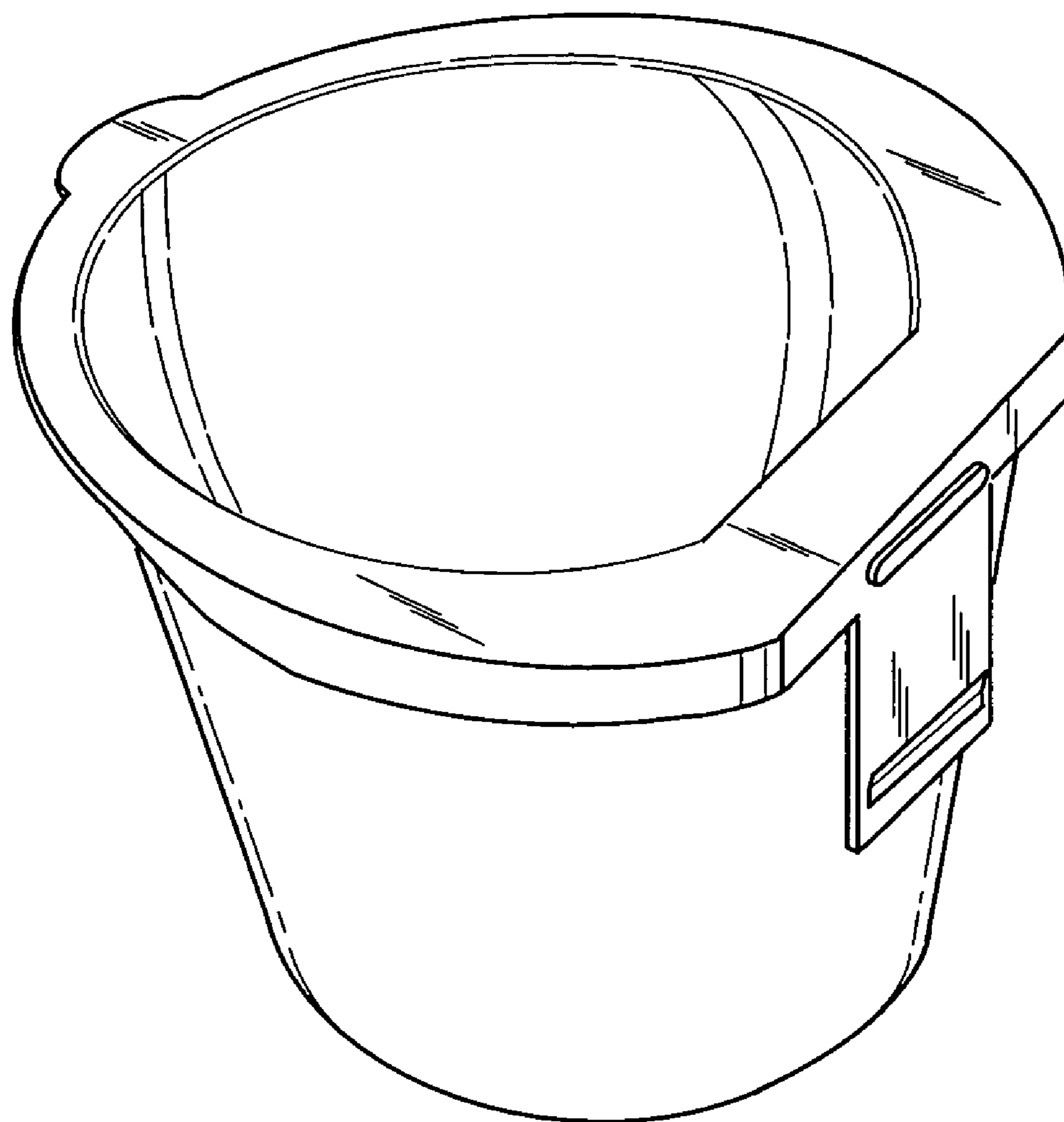


Fig. 6