



US00D589202S

(12) **United States Design Patent**
Sabernig

(10) **Patent No.:** **US D589,202 S**
(45) **Date of Patent:** **** Mar. 24, 2009**

(54) **LIGHT FIXTURE**

(75) Inventor: **Robert Sabernig**, Munster (AT)

(73) Assignee: **EGLO Leuchten GmbH**, Innsbruck (AT)

(**) Term: **14 Years**

(21) Appl. No.: **29/325,942**

(22) Filed: **Oct. 8, 2008**

(51) **LOC (9) Cl.** **26-03**

(52) **U.S. Cl.** **D26/87**

(58) **Field of Classification Search** D26/72,
D26/85, 87, 92, 118; 362/147, 362, 404,
362/432

See application file for complete search history.

(56) **References Cited**

U.S. PATENT DOCUMENTS

D104,036 S *	4/1937	Kanter	D26/87
D137,888 S *	5/1944	Solomon	D26/87
D418,624 S *	1/2000	Vanderbyl	D26/87
D448,881 S *	10/2001	Lin	D26/87
D514,246 S *	1/2006	Hoernig	D26/87
D533,957 S *	12/2006	Barozzini	D26/118
D573,750 S *	7/2008	Starek	D26/87
D576,767 S *	9/2008	Gutkin	D26/145

* cited by examiner

Primary Examiner—Clare E Heflin

(74) *Attorney, Agent, or Firm*—Baker & McKenzie LLP

(57) **CLAIM**

The ornamental design for a light fixture, as shown and described.

DESCRIPTION

FIG. 1 is a bottom perspective view of a light fixture in accordance with my design;

FIG. 2 is a top plan view of the light fixture in accordance with my design;

FIG. 3 is a bottom plan view of the light fixture in accordance with my design;

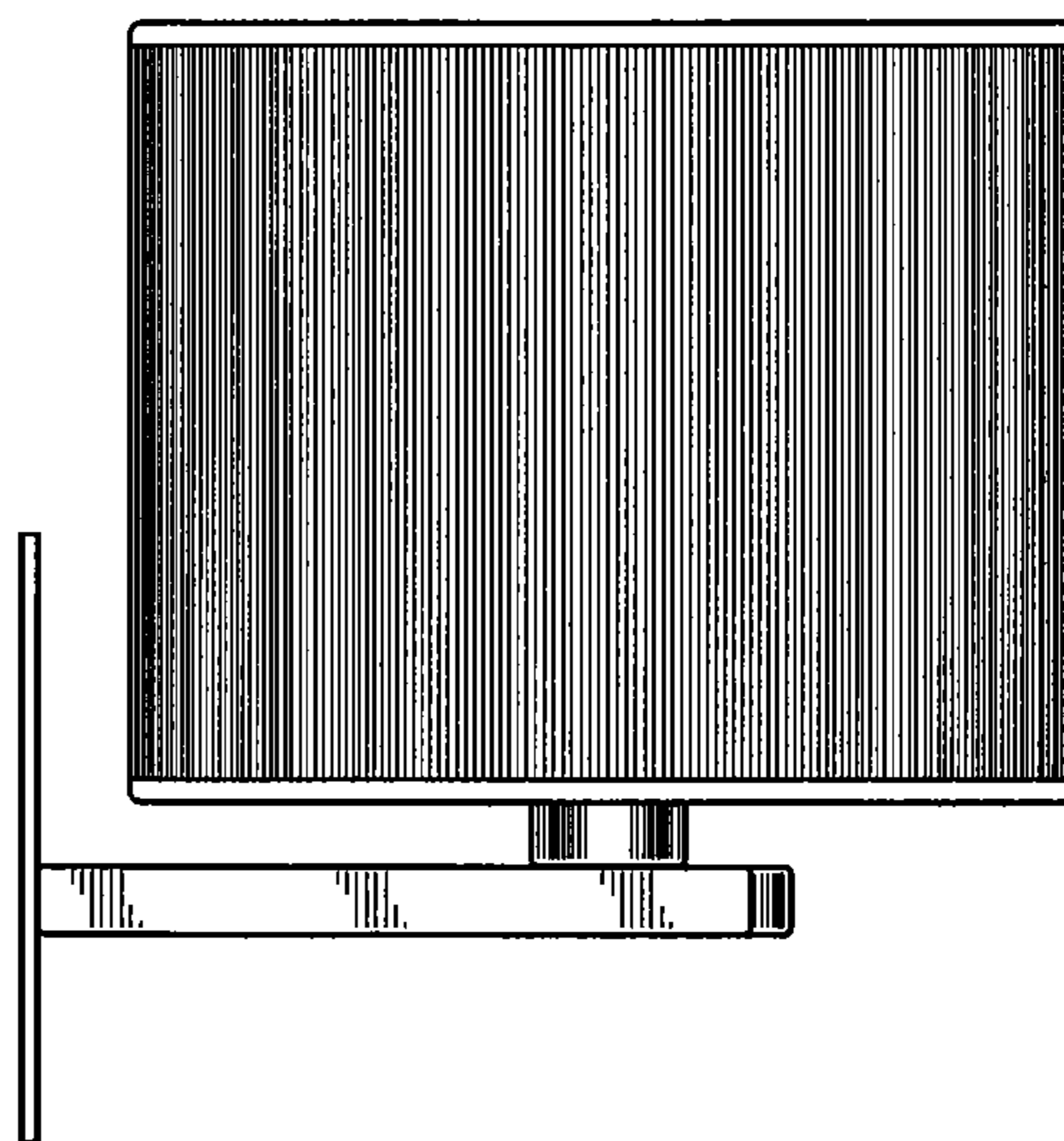
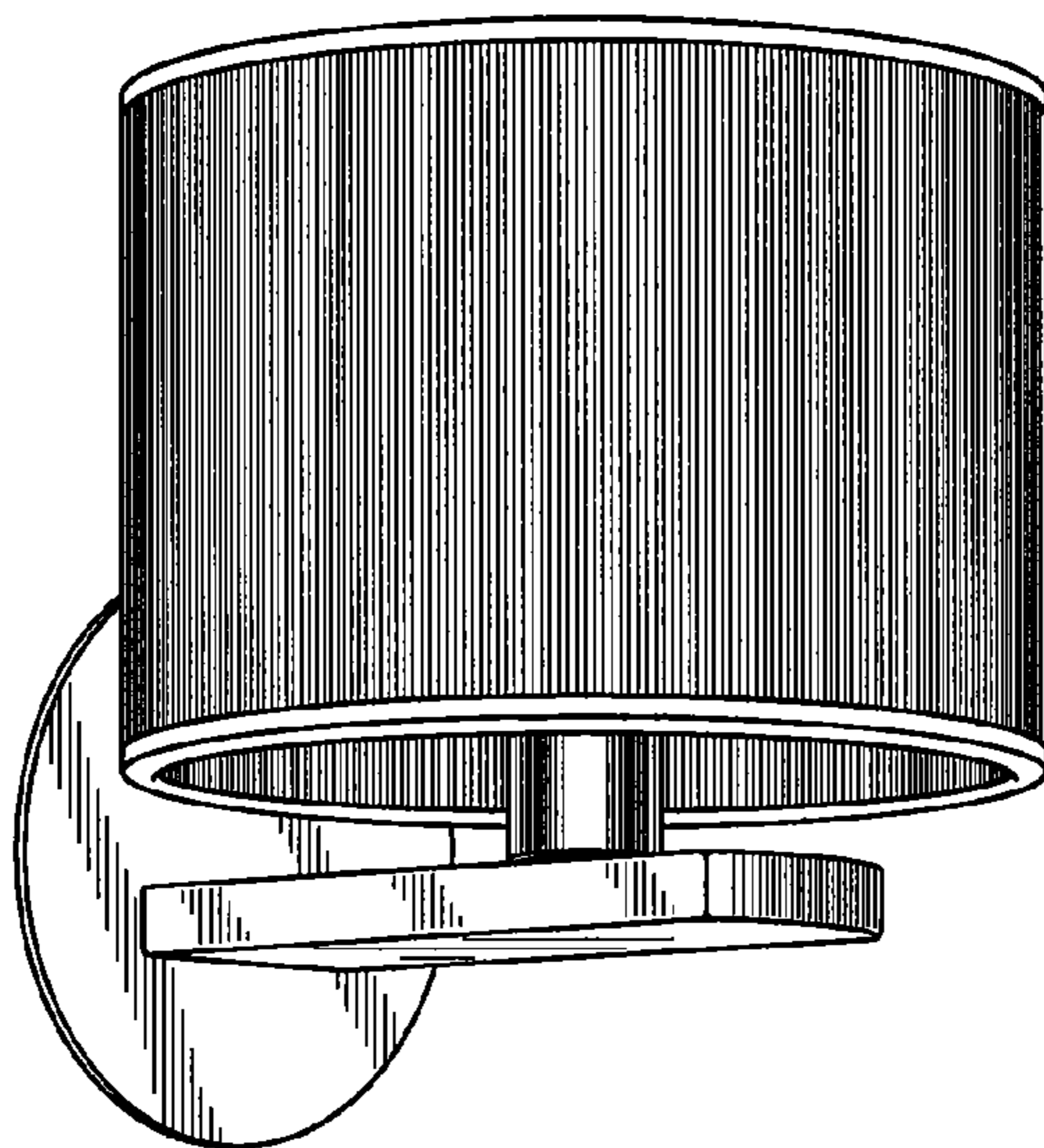
FIG. 4 is a front elevation view of the light fixture in accordance with my design;

FIG. 5 is a back elevation view of the light fixture in accordance with my design; and,

FIG. 6 is a side elevation view of the light fixture in accordance with my design, the opposite view being a mirror image thereof.

The broken lines showing environmental structure are for illustrative purposes only and form no part of the claimed design.

1 Claim, 1 Drawing Sheet



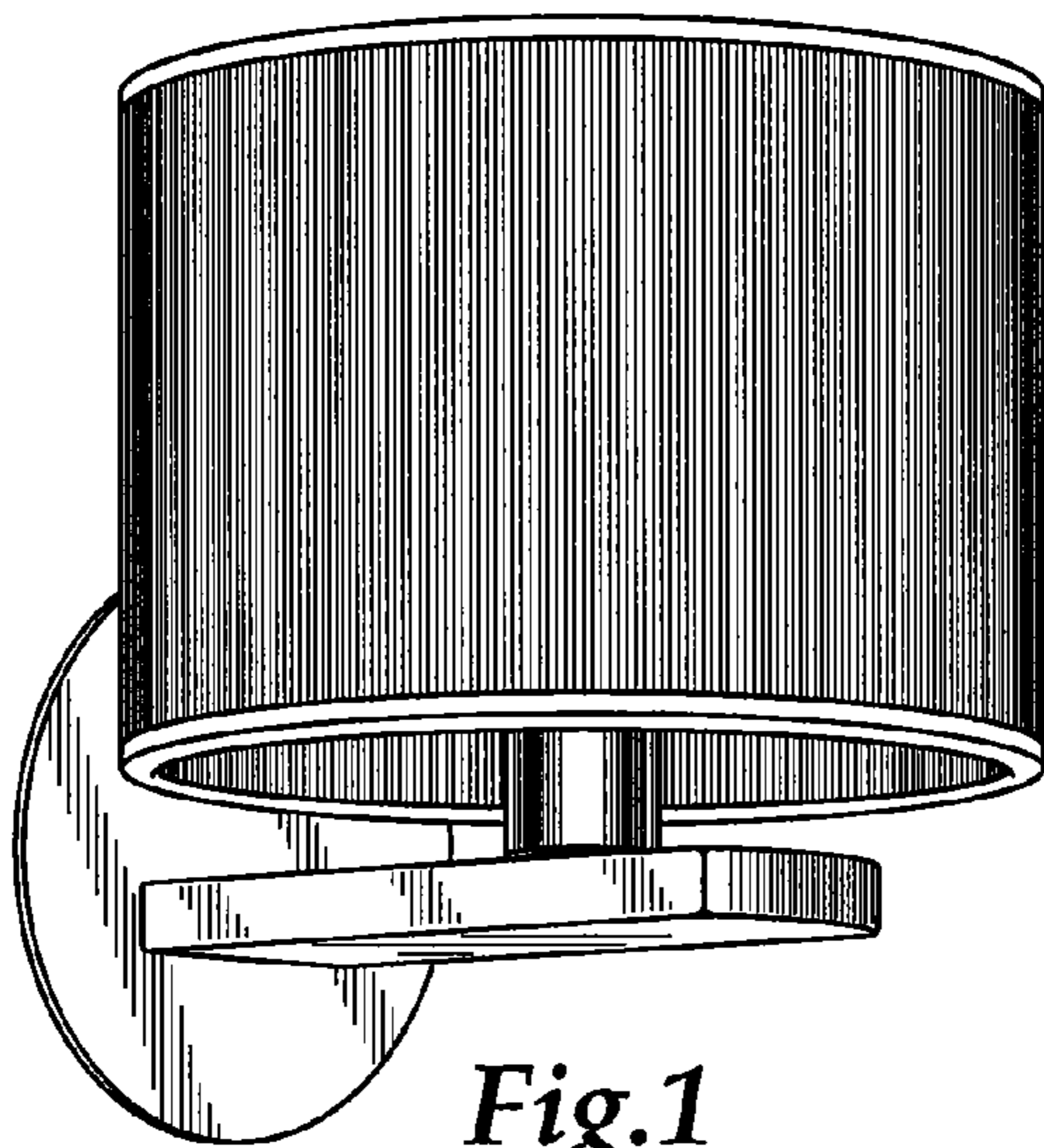


Fig.1

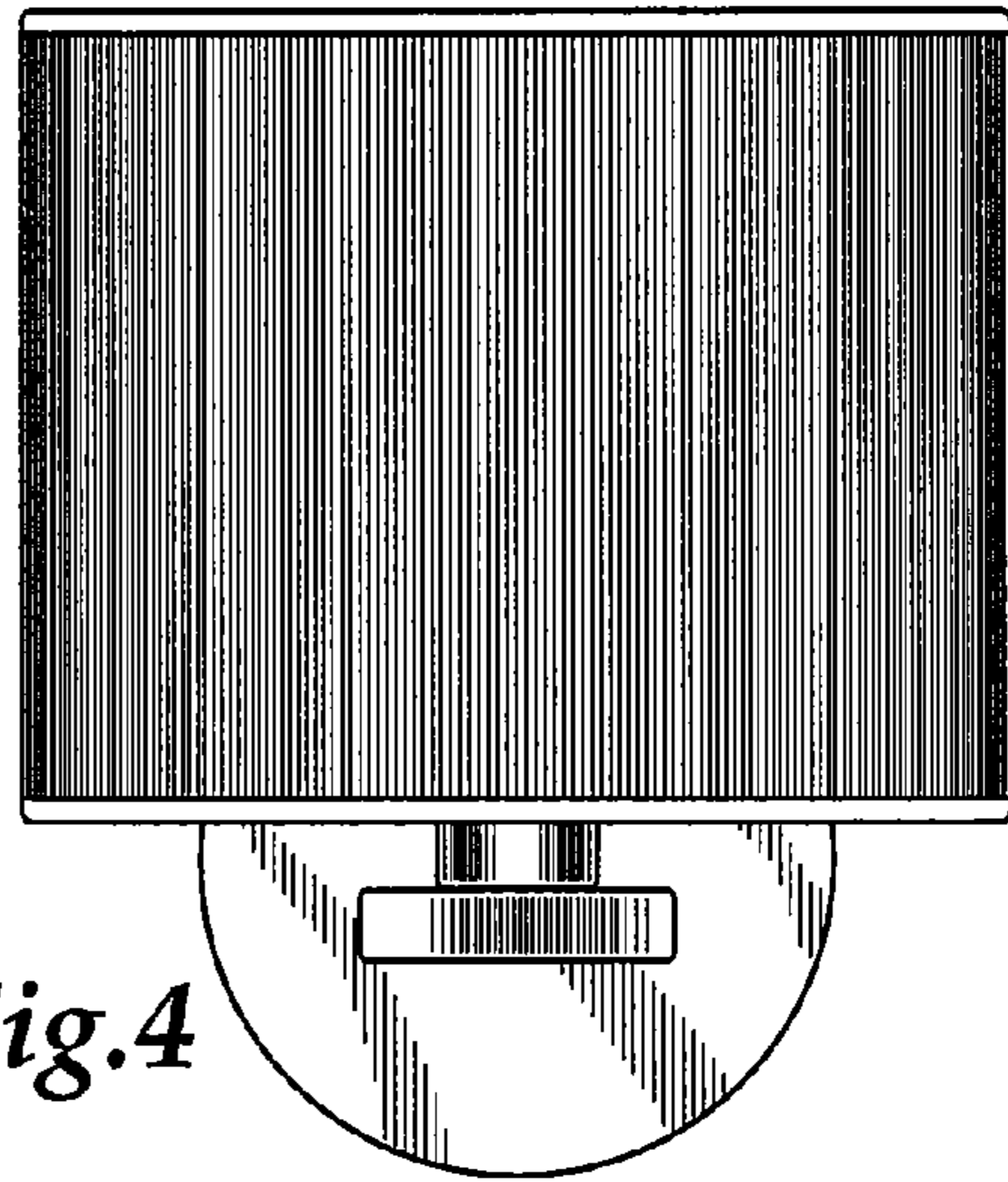


Fig.4

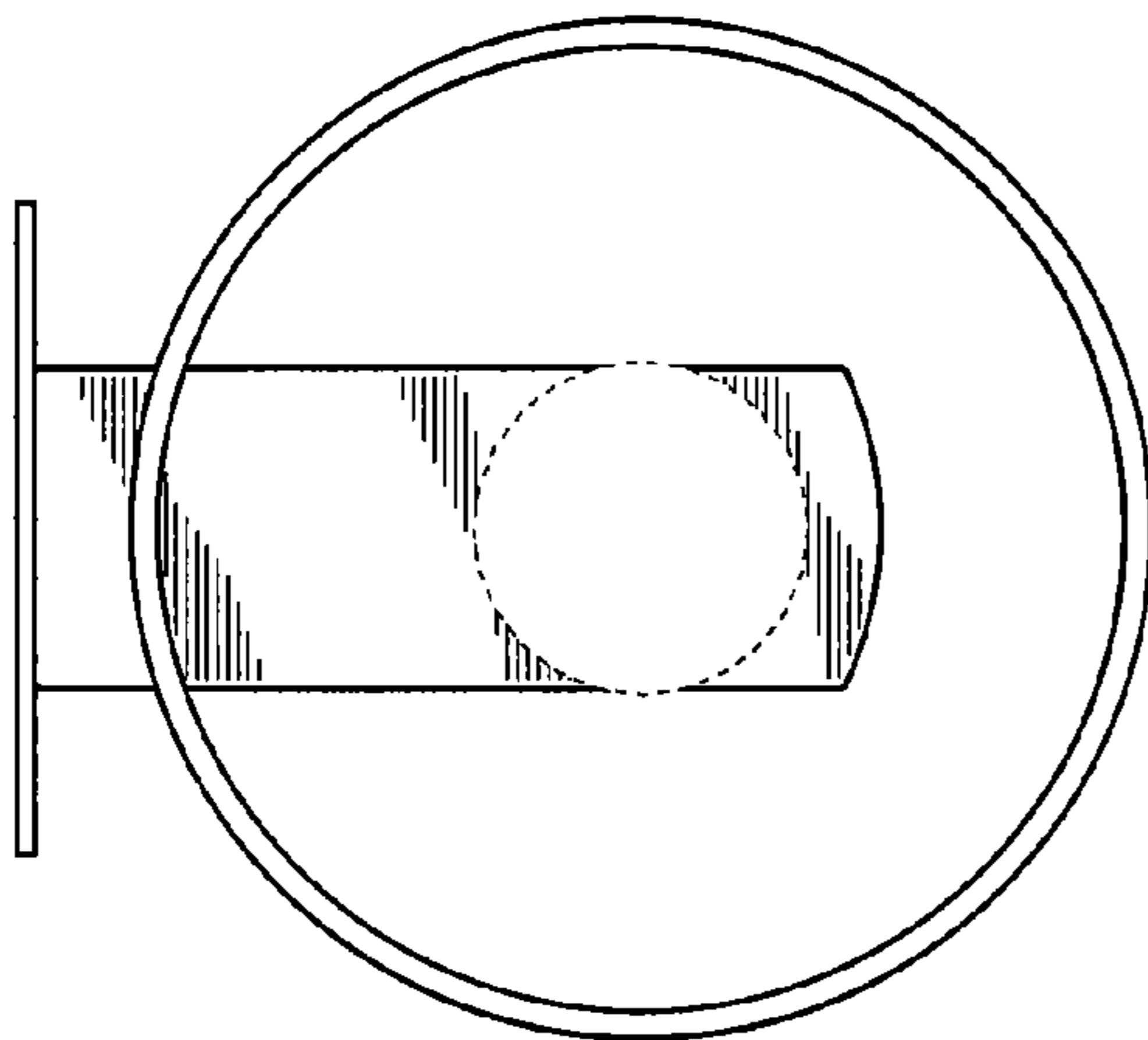


Fig.2

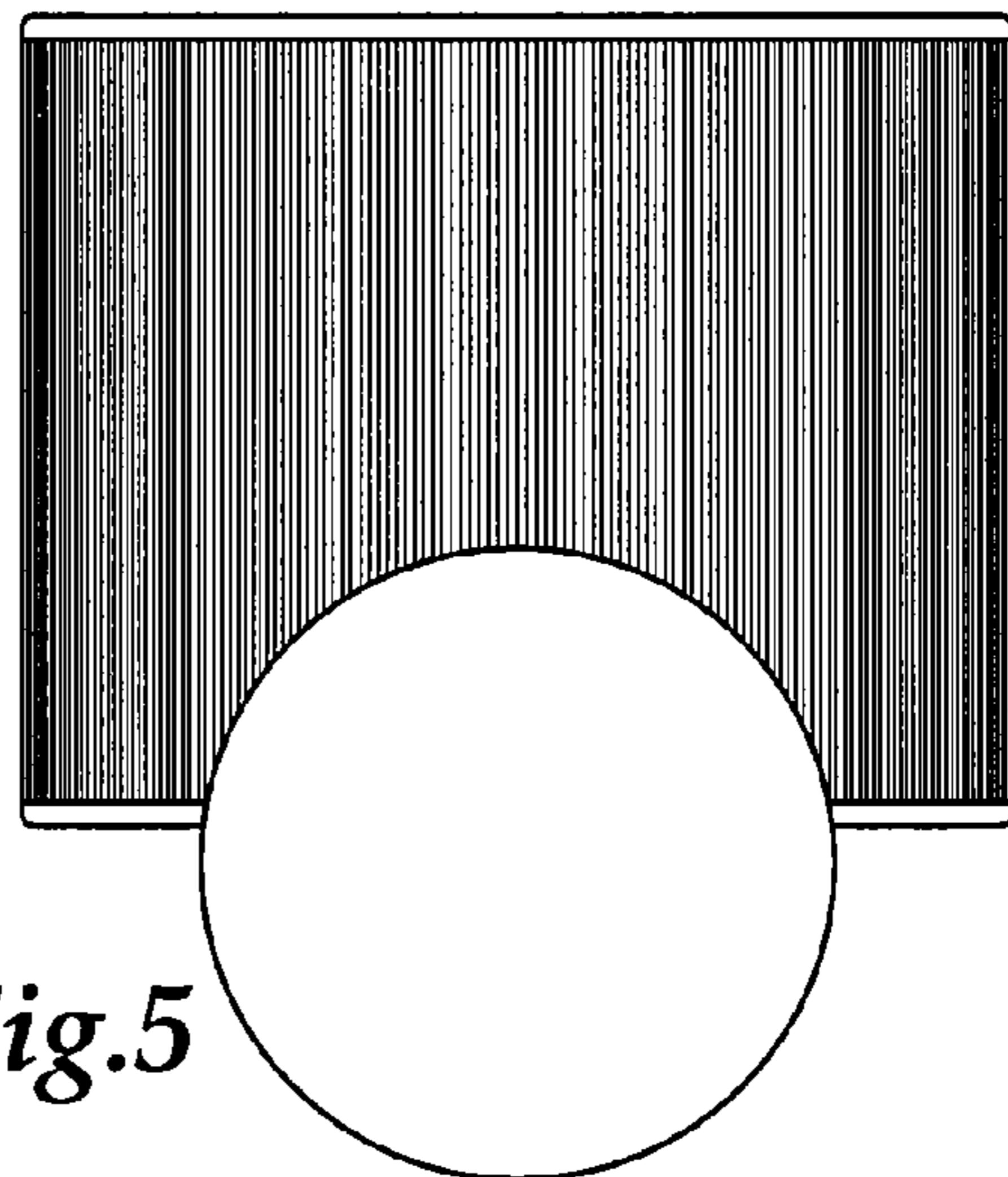


Fig.5

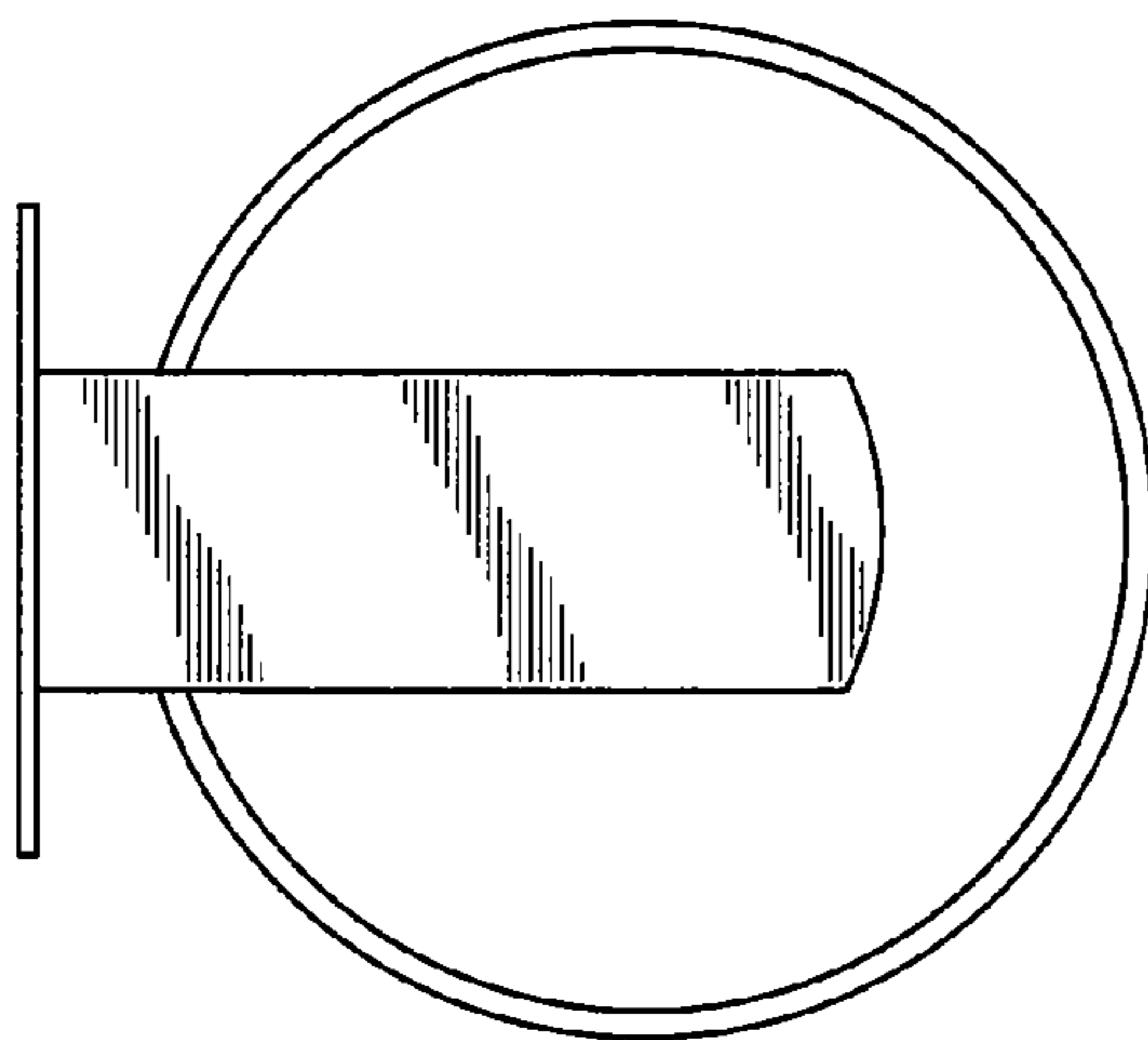


Fig.3

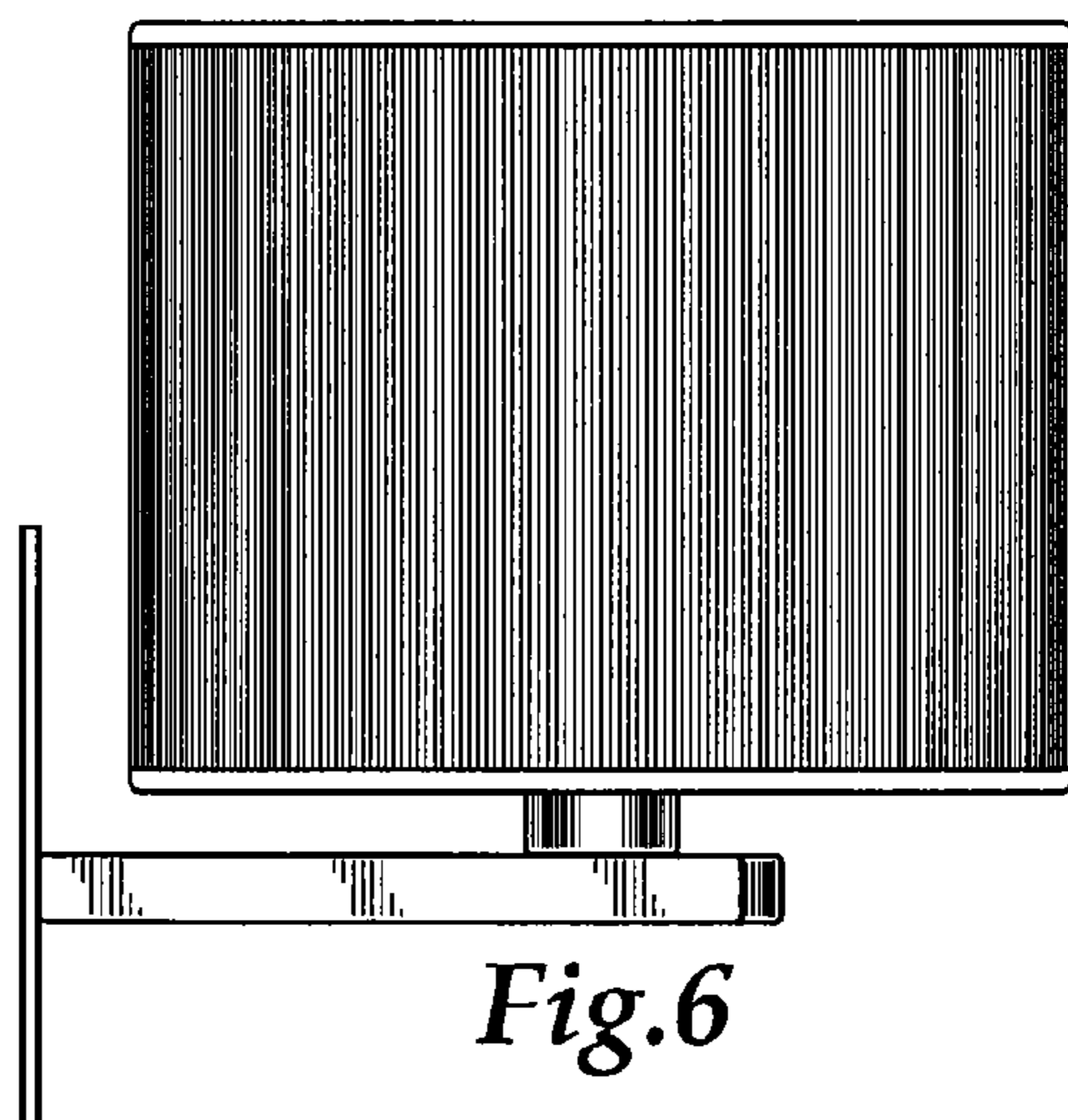


Fig.6