

US00D589198S

(12) **United States Design Patent**  
**Sabernig**

(10) **Patent No.:** **US D589,198 S**  
(45) **Date of Patent:** **\*\* Mar. 24, 2009**

(54) **LIGHT FIXTURE**

(75) Inventor: **Robert Sabernig**, Munster (AT)

(73) Assignee: **EGLO Leuchten GmbH**, Innsbruck (AT)

(\*\*) Term: **14 Years**

(21) Appl. No.: **29/325,951**

(22) Filed: **Oct. 8, 2008**

(51) **LOC (9) Cl.** ..... **26-03**

(52) **U.S. Cl.** ..... **D26/83**

(58) **Field of Classification Search** ..... D26/61-67,  
D26/83, 86, 87, 89, 128; 362/147, 237, 238,  
362/250, 282, 283, 285, 287, 288, 371, 426  
See application file for complete search history.

(56) **References Cited**

**U.S. PATENT DOCUMENTS**

1,581,581	A *	4/1926	Lewis	.....	362/282
D105,057	S *	6/1937	Kanter	.....	D26/86
D105,288	S *	7/1937	Levy	.....	D26/63
D300,258	S *	3/1989	Rubarth	.....	D26/11
5,412,552	A *	5/1995	Fernandes	.....	362/250
D395,140	S *	6/1998	O'Rourke	.....	D26/140
D464,455	S *	10/2002	Fong et al.	.....	D26/63
7,334,921	B1 *	2/2008	Simnor	.....	362/427

\* cited by examiner

*Primary Examiner*—Clare E Heflin

(74) *Attorney, Agent, or Firm*—Baker & McKenzie LLP

(57) **CLAIM**

The ornamental design for a light fixture, as shown and described.

**DESCRIPTION**

FIG. 1 is a bottom perspective view of a light fixture in accordance with my design, illustrating a first adjustable position of various portions of the light fixture;

FIG. 2 is a front elevation view of the light fixture in accordance with my design, illustrating a first adjustable position of various portions of the light fixture;

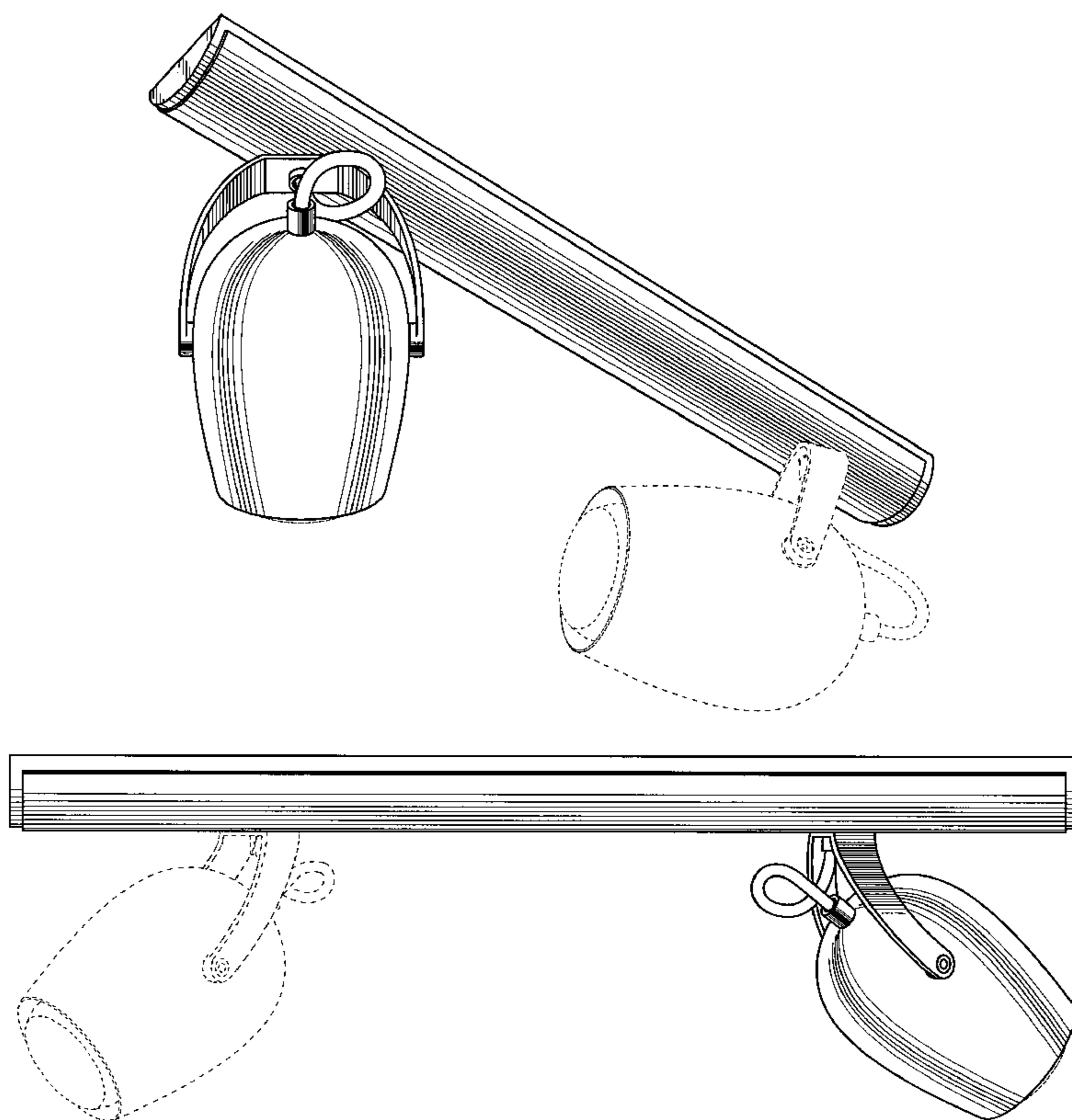
FIG. 3 is a back elevation view of the light fixture in accordance with my design, illustrating a first adjustable position of various portions of the light fixture;

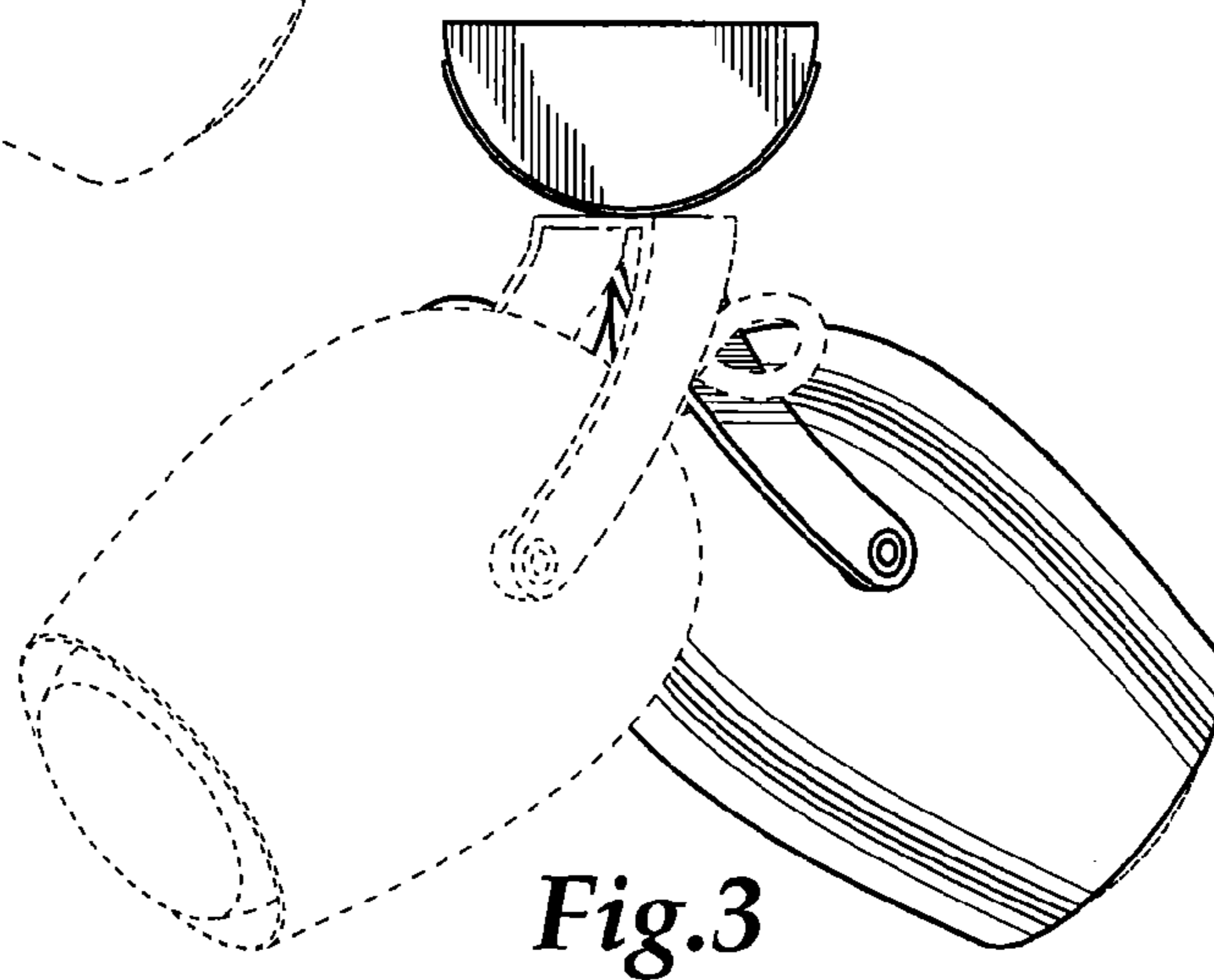
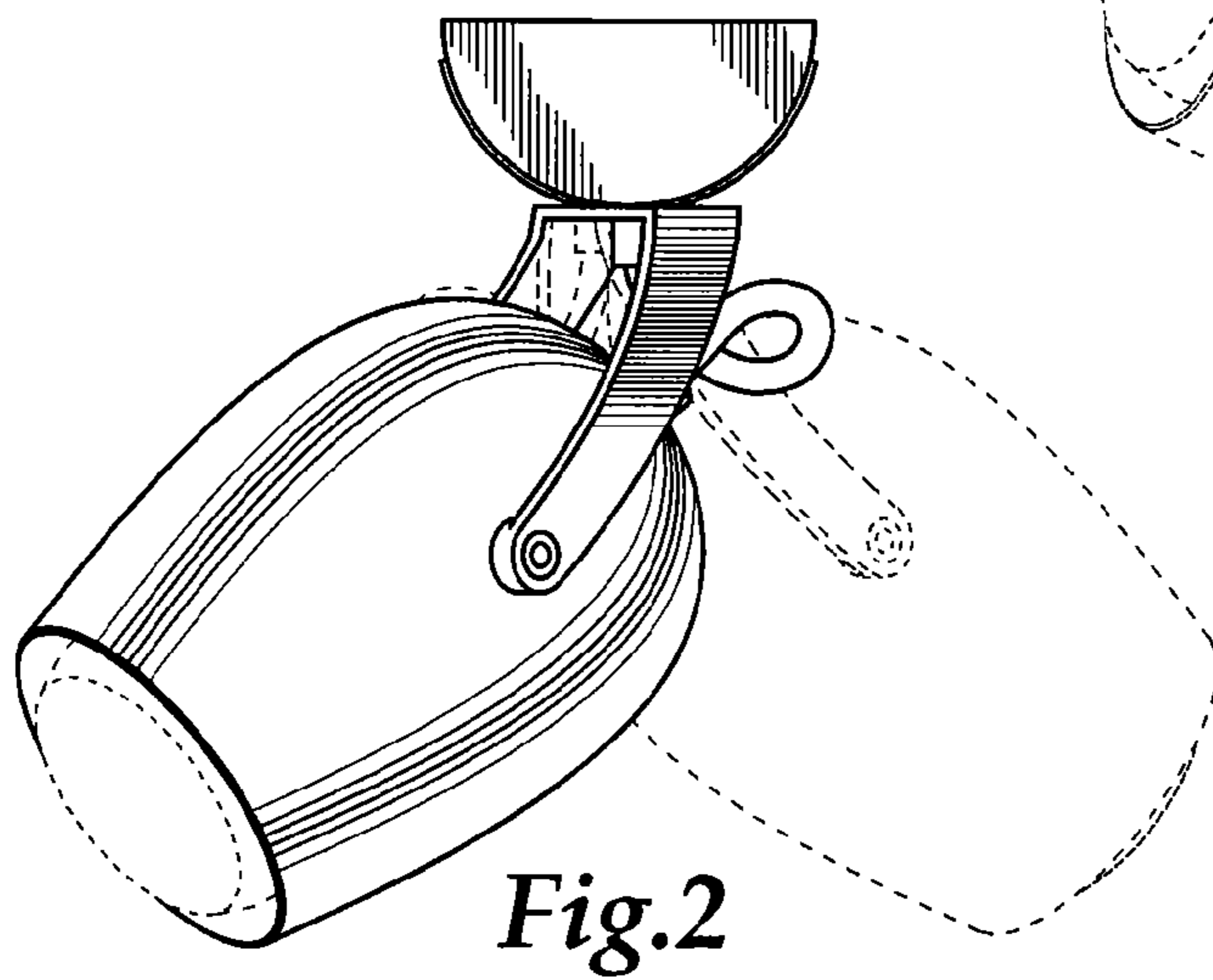
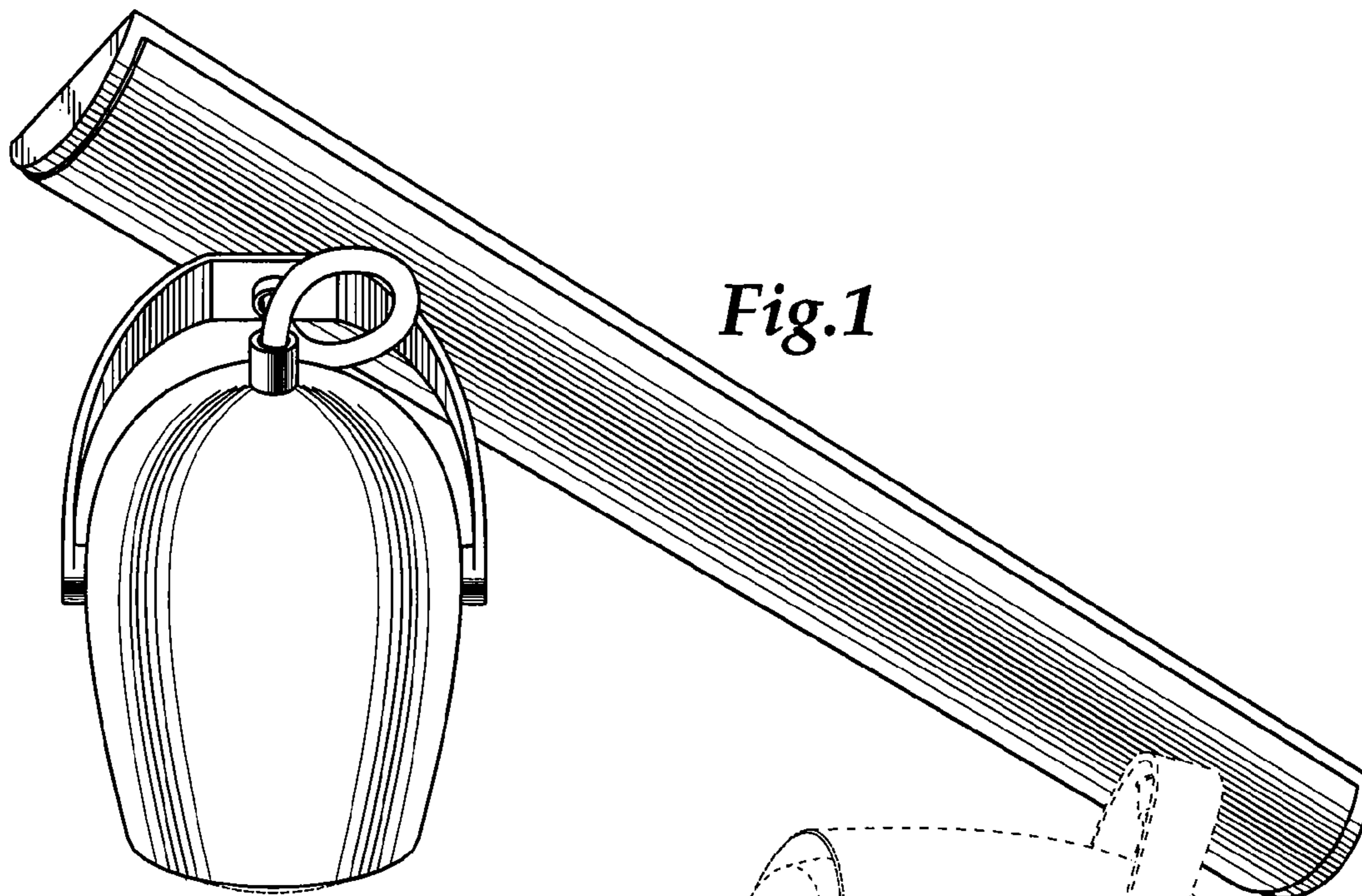
FIG. 4 is a bottom plan view of the light fixture in accordance with my design, illustrating a first adjustable position of various portions of the light fixture; and,

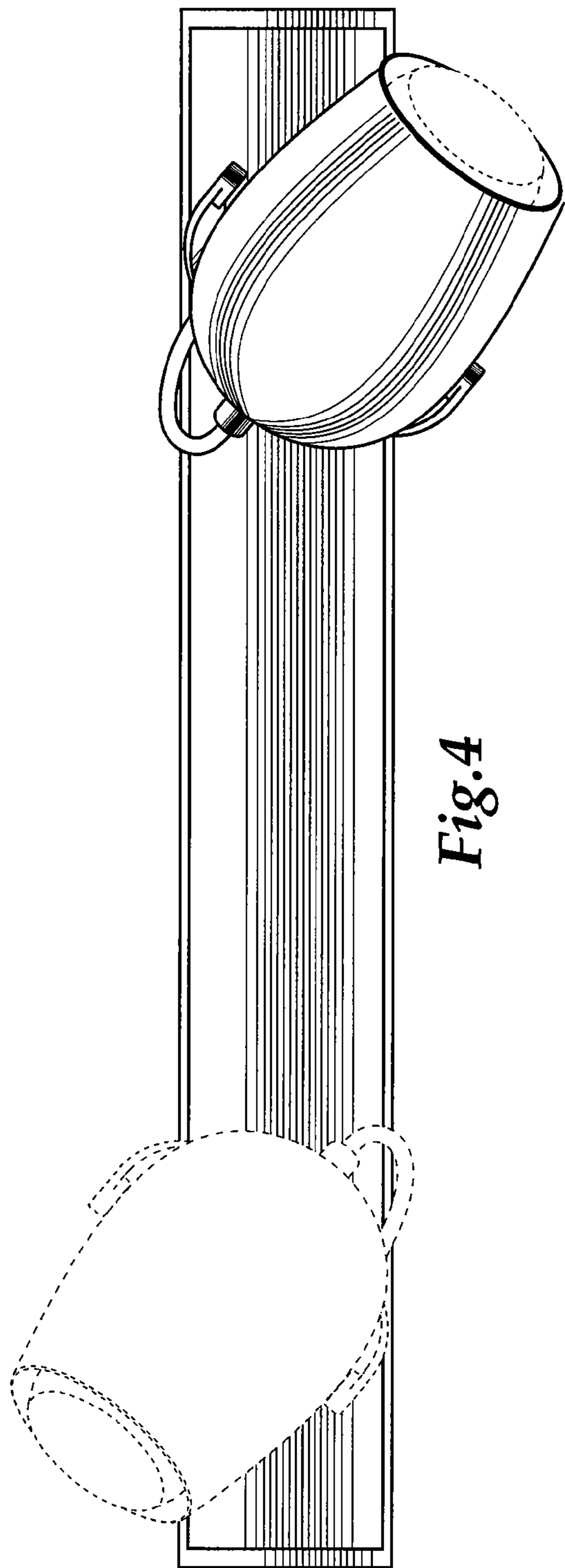
FIG. 5 is a side elevation view of the light fixture in accordance with my design, illustrating a first adjustable position of various portions of the light fixture, the opposite view being a mirror image thereof.

The broken lines showing environmental structure are for illustrative purposes only and form no part of the claimed design.

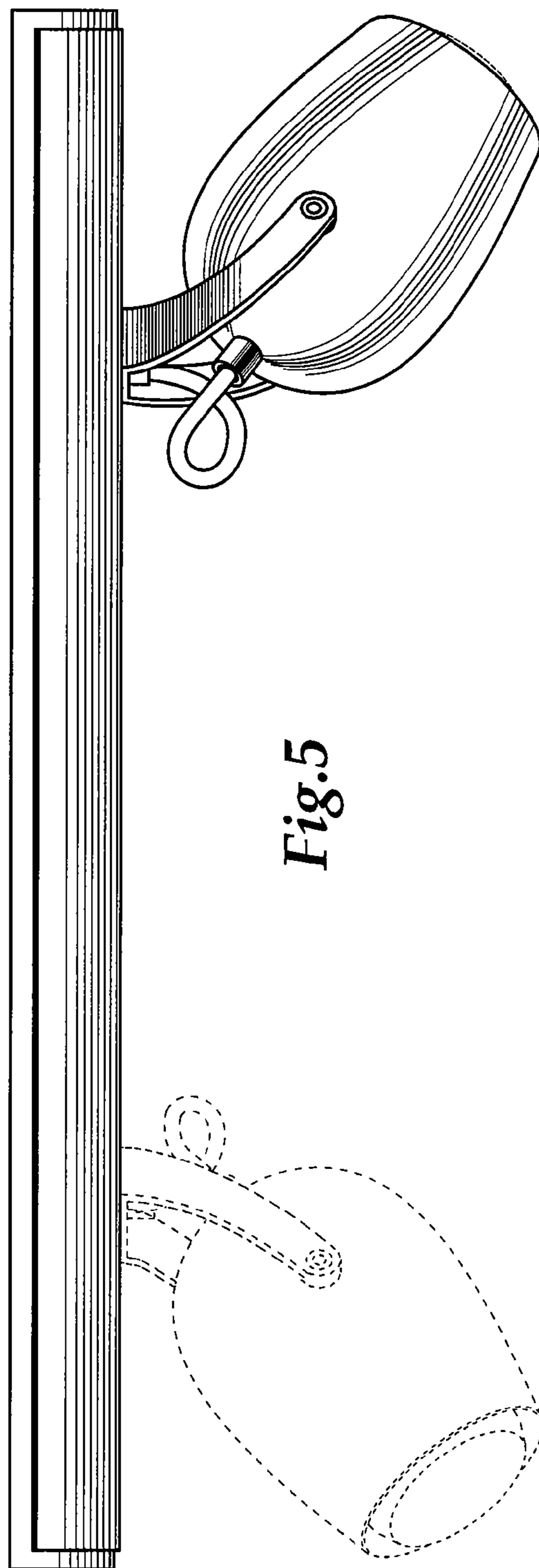
**1 Claim, 2 Drawing Sheets**







*Fig. 4*



*Fig. 5*