



US00D589196S

(12) **United States Design Patent**  
**Stone et al.**

(10) **Patent No.:** **US D589,196 S**  
(45) **Date of Patent:** **\*\* Mar. 24, 2009**

(54) **LIGHT FIXTURE FOR PATHWAY, BOLLARD, OR SIDE LIGHT APPLICATIONS**

(75) Inventors: **Thomas A. Stone**, University Park, IA (US); **James J. Berns**, Muscatine, IA (US)

(73) Assignee: **Musco Corporation**, Oskaloosa, IA (US)

(\*\*) Term: **14 Years**

(21) Appl. No.: **29/320,419**

(22) Filed: **Jun. 26, 2008**

(51) **LOC (9) Cl.** ..... **26-05**

(52) **U.S. Cl.** ..... **D26/72; D26/85**

(58) **Field of Classification Search** ..... D26/23, D26/24, 42, 63, 67, 72, 74-79, 85, 88-89, D26/108, 118-120; 362/147-148, 150, 217-225, 362/260, 263-265, 267, 283, 288, 363-365; D23/370-371, 385

See application file for complete search history.

(56) **References Cited**

**U.S. PATENT DOCUMENTS**

|              |         |                   |       |        |
|--------------|---------|-------------------|-------|--------|
| D201,199 S * | 5/1965  | Van Steenhoven    | ..... | D26/85 |
| D286,206 S * | 10/1986 | Joosten et al.    | ..... | D26/85 |
| D287,645 S * | 1/1987  | Ewing et al.      | ..... | D26/63 |
| D288,857 S * | 3/1987  | Spaine            | ..... | D26/85 |
| D303,033 S * | 8/1989  | Powell et al.     | ..... | D99/17 |
| D376,214 S * | 12/1996 | Pinchuk           | ..... | D26/26 |
| D380,572 S * | 7/1997  | Bodell et al.     | ..... | D26/85 |
| D403,442 S * | 12/1998 | Joss              | ..... | D26/26 |
| D412,039 S * | 7/1999  | Landerholm et al. | ..... | D26/63 |
| D456,932 S * | 5/2002  | Crosby            | ..... | D26/85 |

|              |        |                 |       |         |
|--------------|--------|-----------------|-------|---------|
| D535,775 S * | 1/2007 | Lueken          | ..... | D26/72  |
| D542,958 S * | 5/2007 | Lodhie et al.   | ..... | D26/67  |
| D563,020 S * | 2/2008 | Campagna        | ..... | D26/72  |
| D565,207 S * | 3/2008 | Uemoto et al.   | ..... | D26/24  |
| D567,989 S * | 4/2008 | Goetz-Schaefer  | ..... | D26/89  |
| D569,029 S * | 5/2008 | Guercio         | ..... | D26/85  |
| D571,495 S * | 6/2008 | Berns et al.    | ..... | D26/68  |
| D573,731 S * | 7/2008 | Uemoto et al.   | ..... | D26/24  |
| D577,146 S * | 9/2008 | Haugaard et al. | ..... | D26/118 |

\* cited by examiner

*Primary Examiner*—Robert M Spear

*Assistant Examiner*—Susan E Krakower

(74) *Attorney, Agent, or Firm*—McKee, Voorhees & Sease, P.L.C.

(57) **CLAIM**

We claim the ornamental design for a light fixture for pathway, bollard, or side light applications, as shown and described.

**DESCRIPTION**

FIG. 1 is a perspective view of the claimed design.

FIG. 2 is an enlarged perspective view of the design of FIG. 1.

FIG. 3 is a further enlarged front elevation view of FIG. 2.

FIG. 4 is a right side elevation view of FIG. 2.

FIG. 5 is a left side elevation view of FIG. 2.

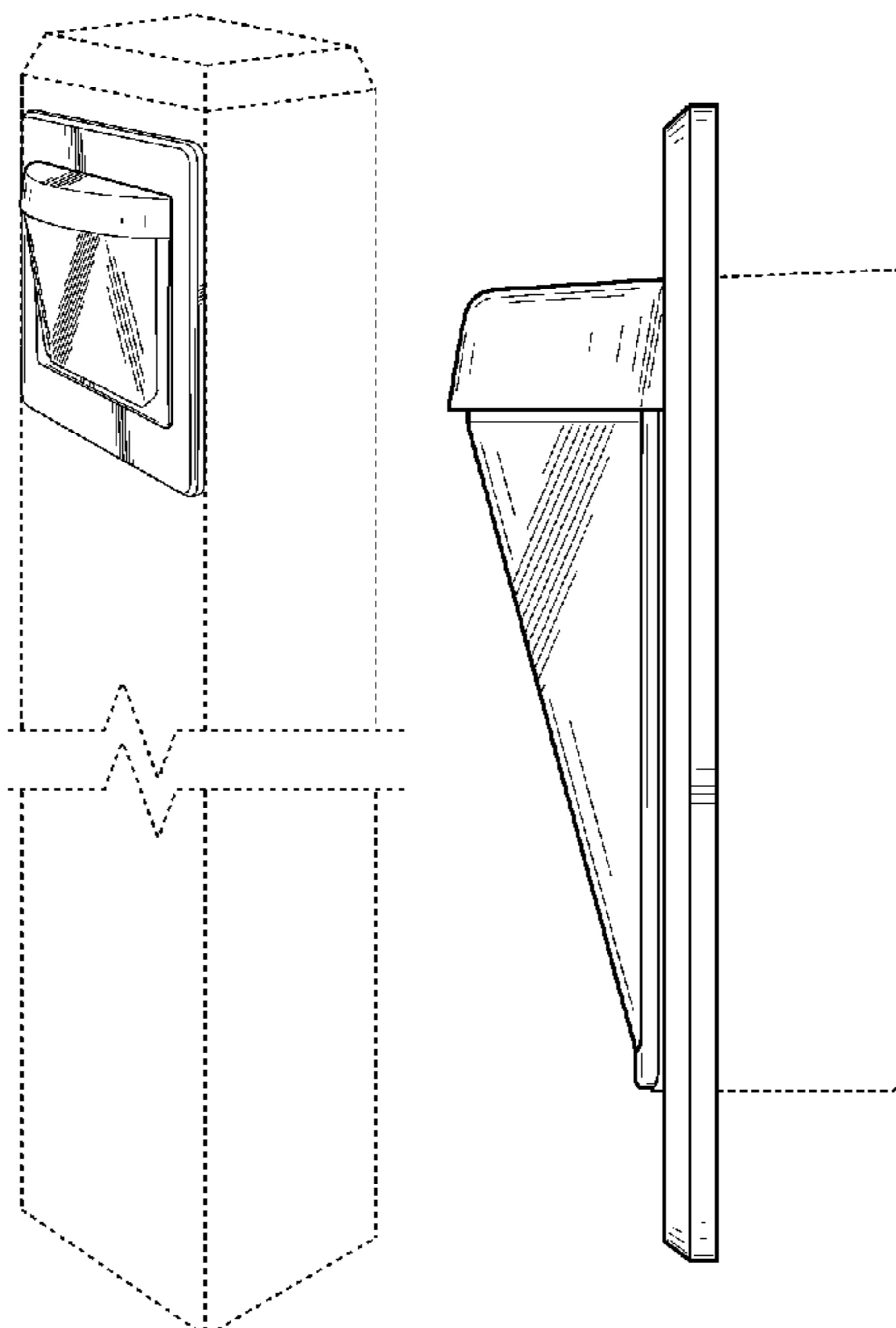
FIG. 6 is a top plan view of FIG. 2.

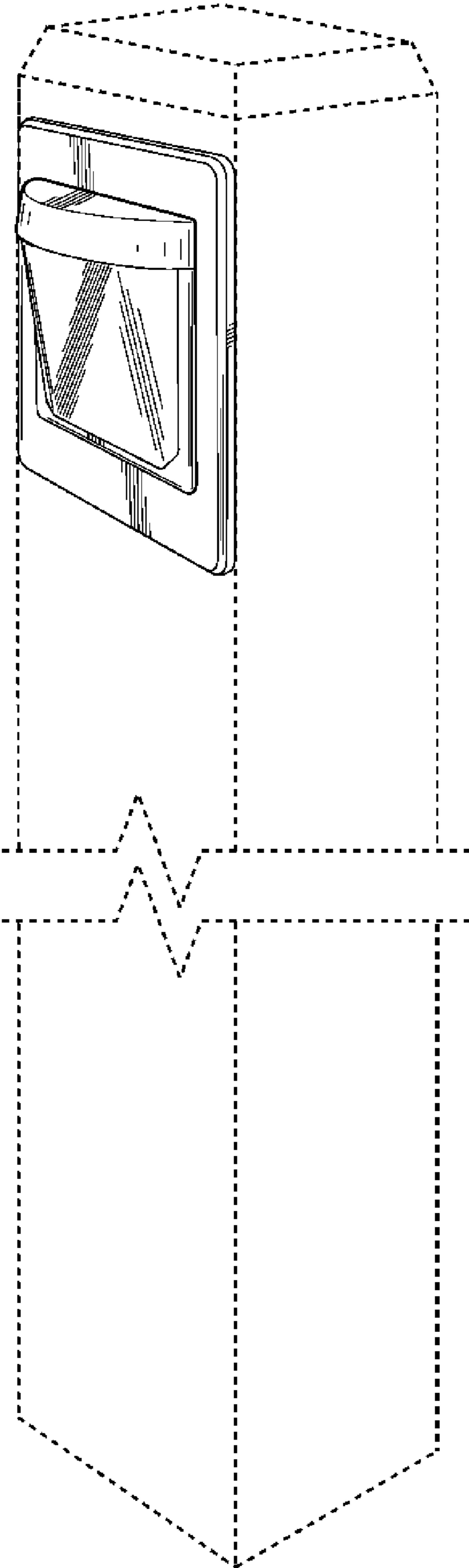
FIG. 7 is a bottom plan view of FIG. 2; and,

FIG. 8 is a back elevation view of FIG. 2.

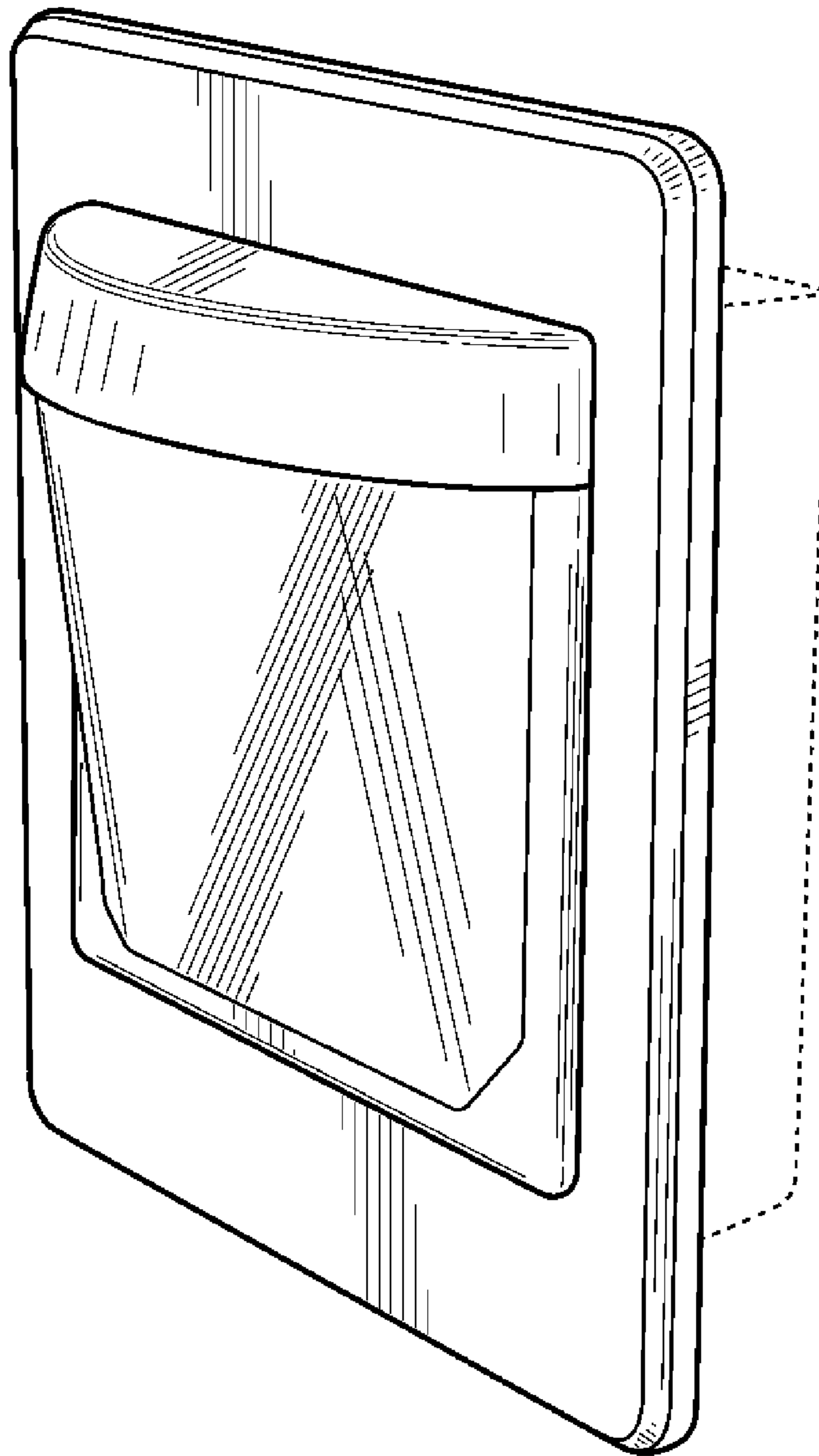
The environmental structure shown in broken lines does not form part of the claimed design.

**1 Claim, 8 Drawing Sheets**

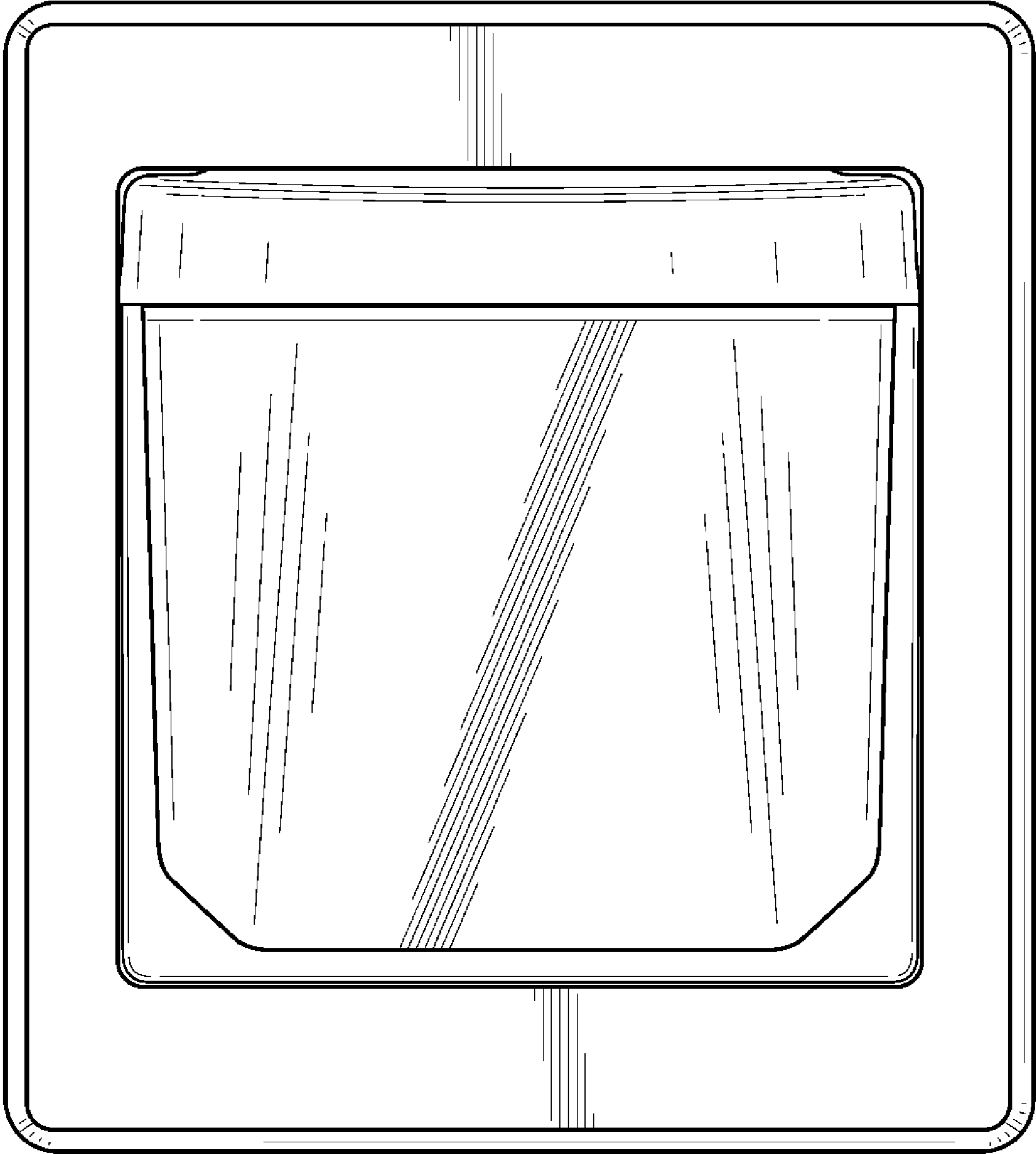




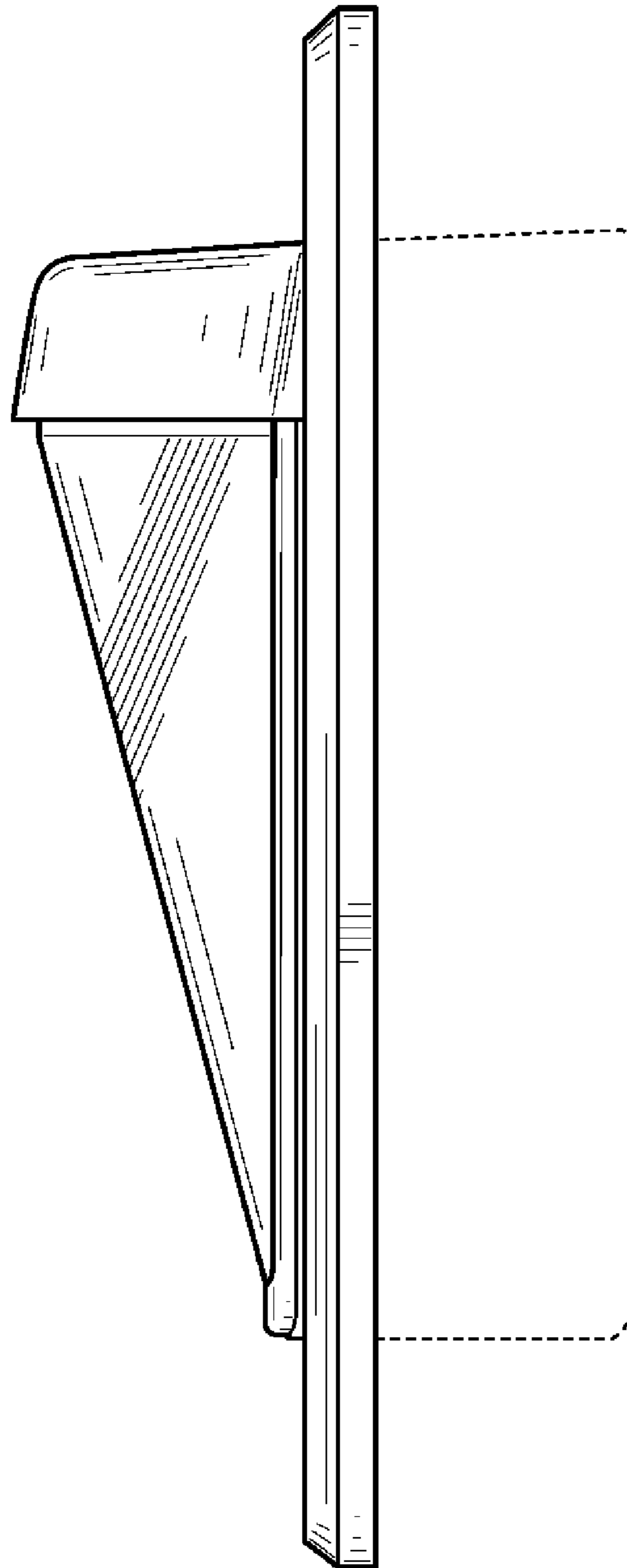
**FIG. 1**



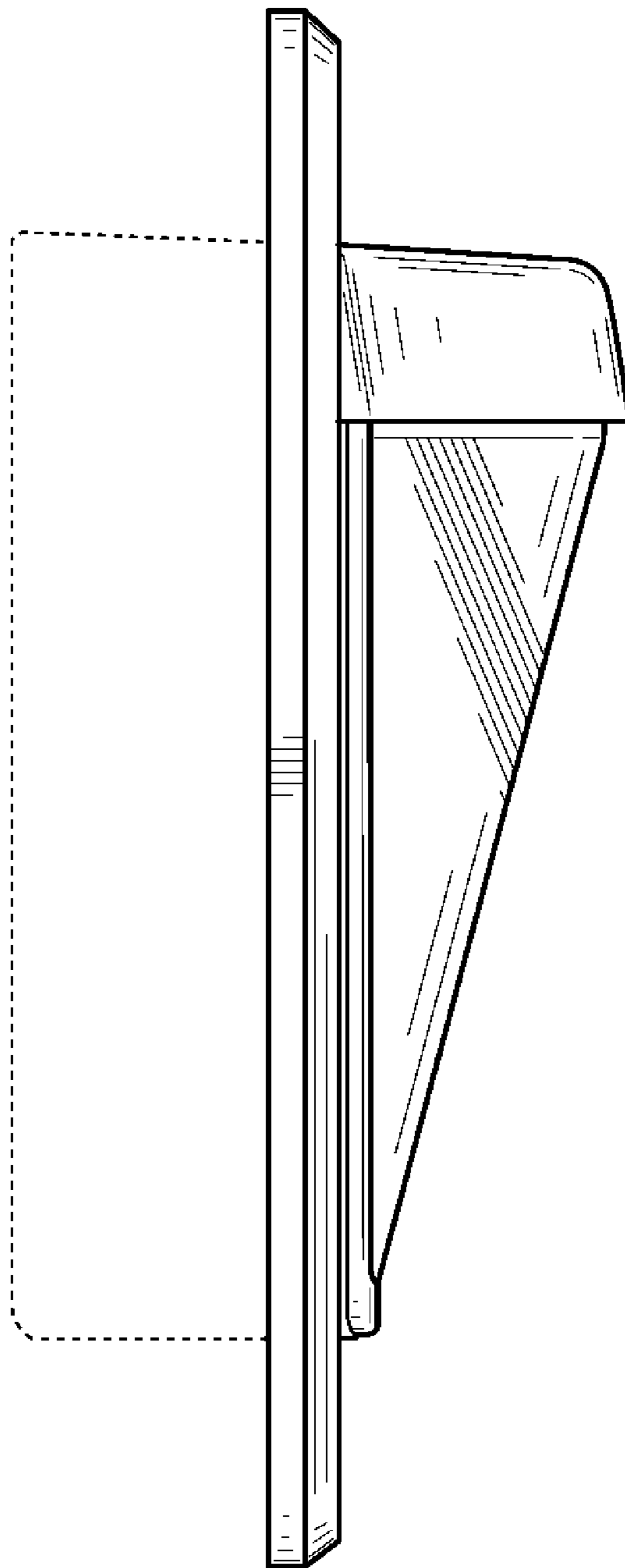
**FIG. 2**



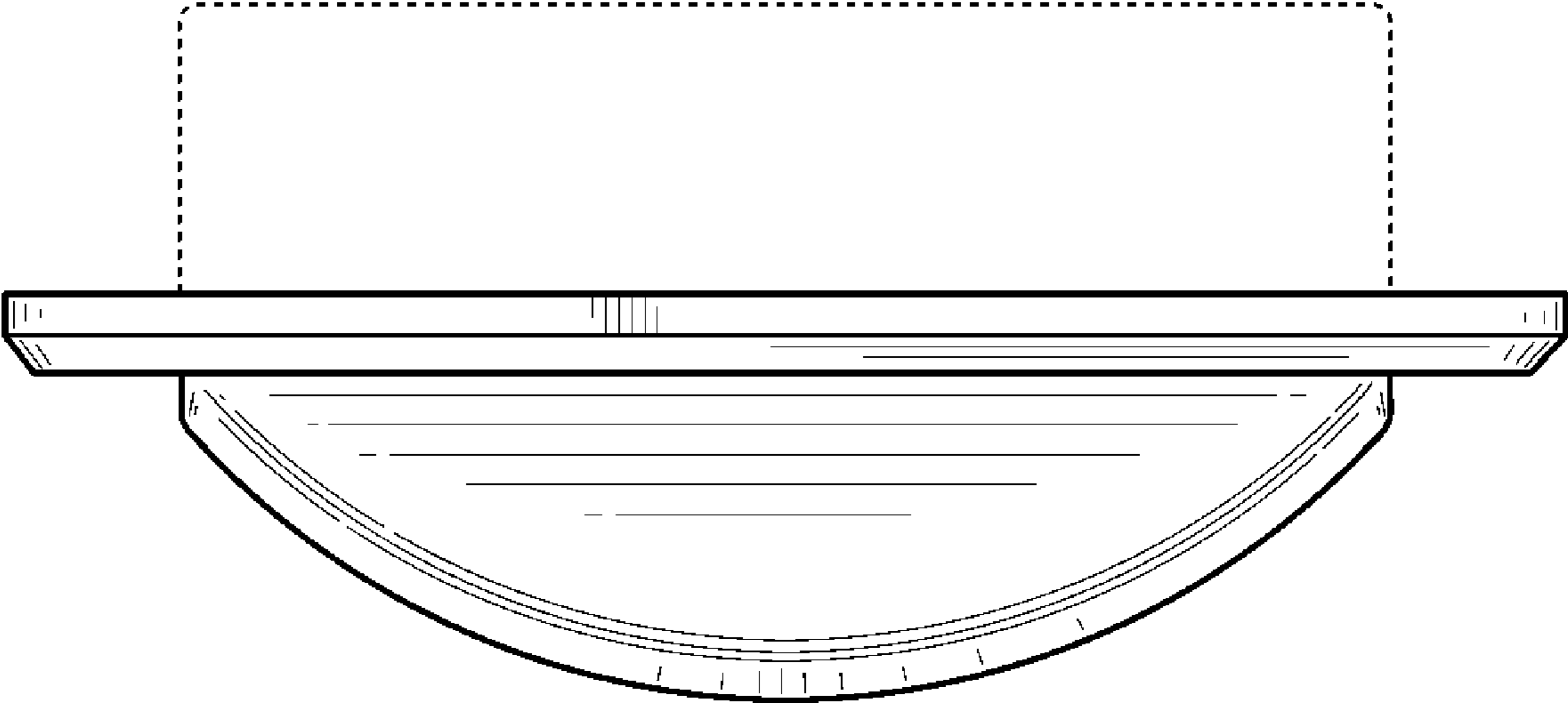
**FIG. 3**



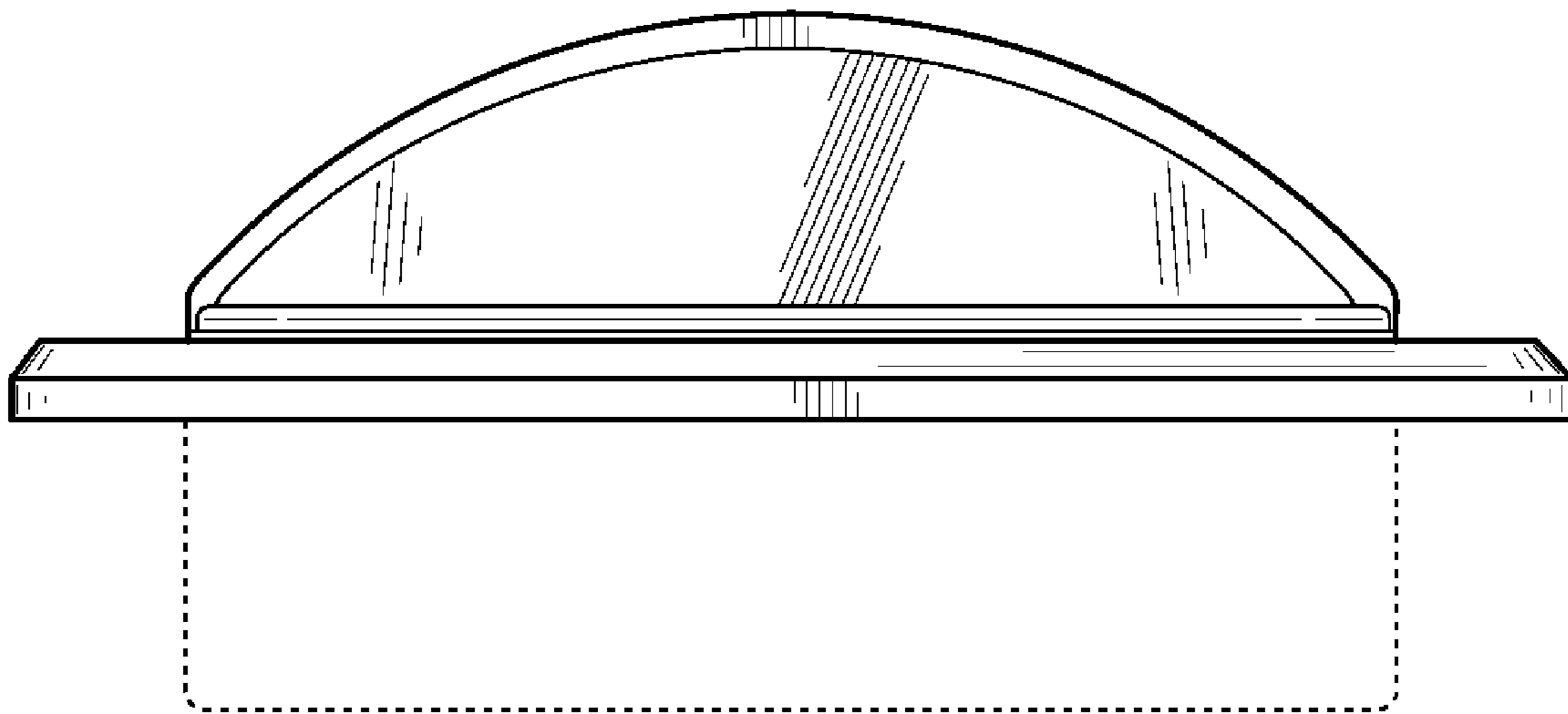
**FIG. 4**



**FIG. 5**

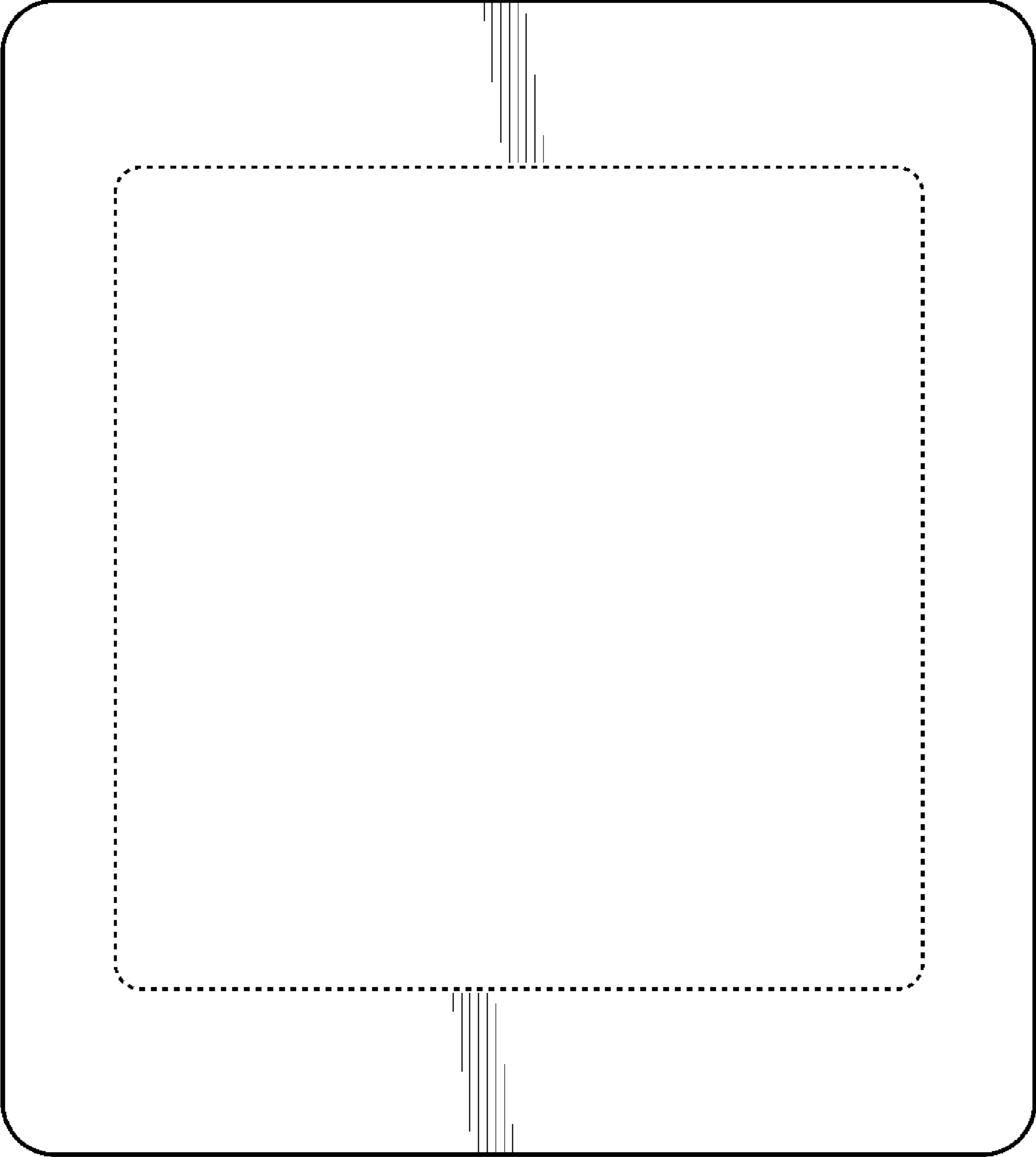


**FIG. 6**



**FIG. 7**





**FIG. 8**