



US00D589190S

(12) **United States Design Patent**
Sabernig

(10) **Patent No.:** **US D589,190 S**
(45) **Date of Patent:** **** Mar. 24, 2009**

(54) **LIGHT FIXTURE**

D496,749 S * 9/2004 Kuebler D26/77
7,246,935 B2 * 7/2007 Benghozi et al. 362/648

(75) Inventor: **Robert Sabernig**, Munster (AT)

OTHER PUBLICATIONS

(73) Assignee: **EGLO Leuchten GmbH**, Innsbruck (AT)

Item #FYG9009-15D shown on p. 152 of CENS Taiwan Lighting, vol. 79, Mar. 2005.*

(**) Term: **14 Years**

* cited by examiner

(21) Appl. No.: **29/325,095**

Primary Examiner—Clare E Heflin

(74) *Attorney, Agent, or Firm*—Baker & McKenzie LLP

(22) Filed: **Sep. 25, 2008**

(57) **CLAIM**

Related U.S. Application Data

The ornamental design for a light fixture, as shown and described.

(63) Continuation-in-part of application No. 29/304,770, filed on Mar. 7, 2008.

DESCRIPTION

(51) **LOC (9) Cl.** **26-05**

FIG. 1 is a perspective view of a light fixture in accordance with my design, illustrating adjustable positions;

(52) **U.S. Cl.** **D26/63**

FIG. 2 is a bottom elevation view of the light fixture in accordance with my design, illustrating adjustable positions;

(58) **Field of Classification Search** D26/61–67, D26/83, 86, 87, 89, 128; 362/147, 237, 238, 362/250, 282, 283, 285, 287, 288, 371, 426, 362/648

FIG. 3 is a top elevation view of the light fixture in accordance with my design, illustrating adjustable positions;

See application file for complete search history.

FIG. 4 is a front plan view of the light fixture in accordance with my design, illustrating adjustable positions;

(56) **References Cited**

U.S. PATENT DOCUMENTS

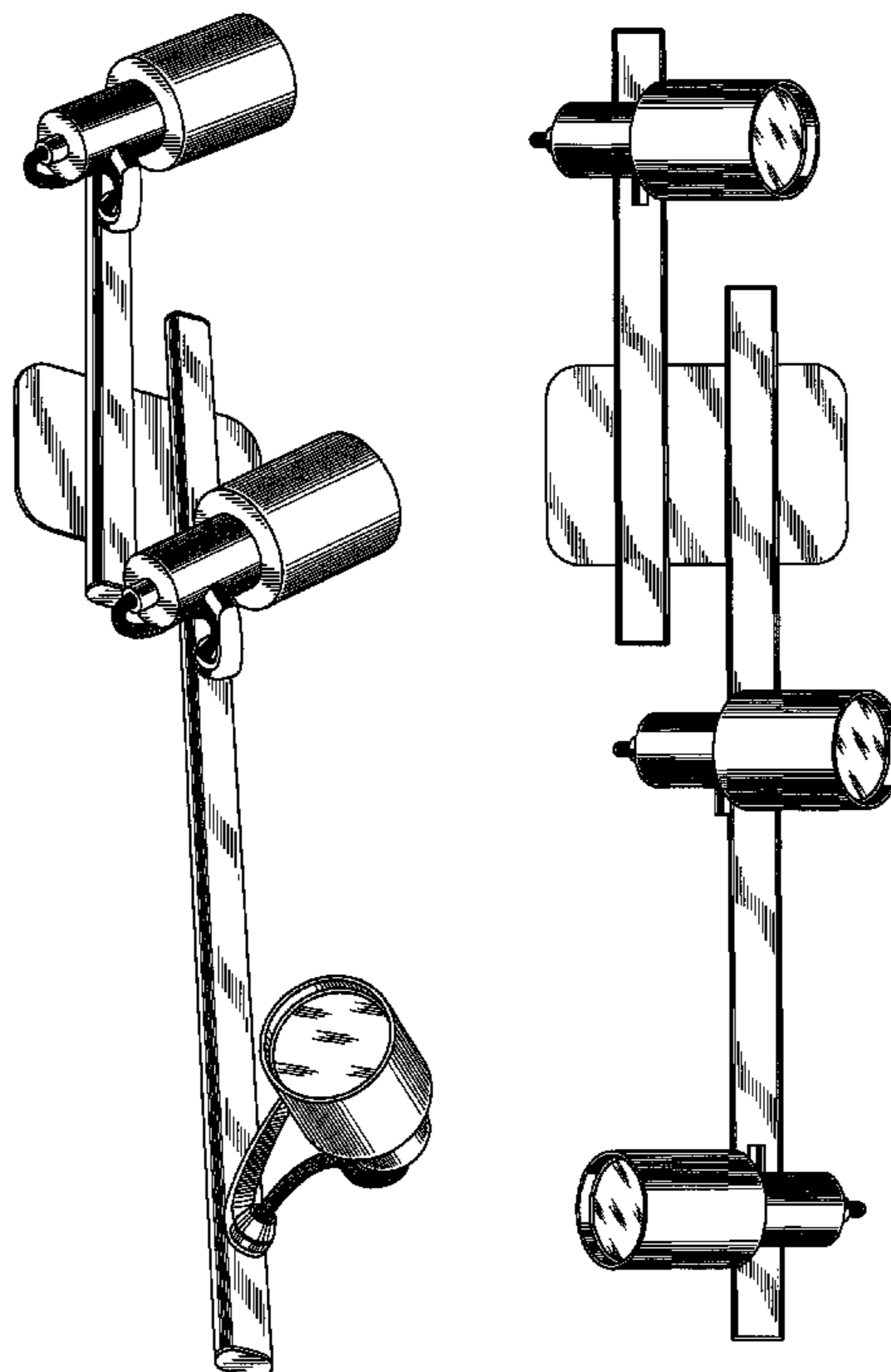
D147,600 S * 9/1947 Simon et al. D26/65
D180,251 S * 5/1957 Stiffel D26/65
D236,022 S * 7/1975 Magistretti D26/66
4,118,760 A * 10/1978 Cohon 362/239
D395,140 S * 6/1998 O'Rourke D26/63
6,244,733 B1 * 6/2001 Fong et al. 362/147
D465,298 S * 11/2002 Gottwald D26/85

FIG. 5 is a back plan view of the light fixture in accordance with my design, illustrating adjustable positions;

FIG. 6 is a side elevation view of the light fixture in accordance with my design, illustrating adjustable positions; and,

FIG. 7 is an opposite side elevation view of the light fixture in accordance with my design, illustrating adjustable positions.

1 Claim, 3 Drawing Sheets



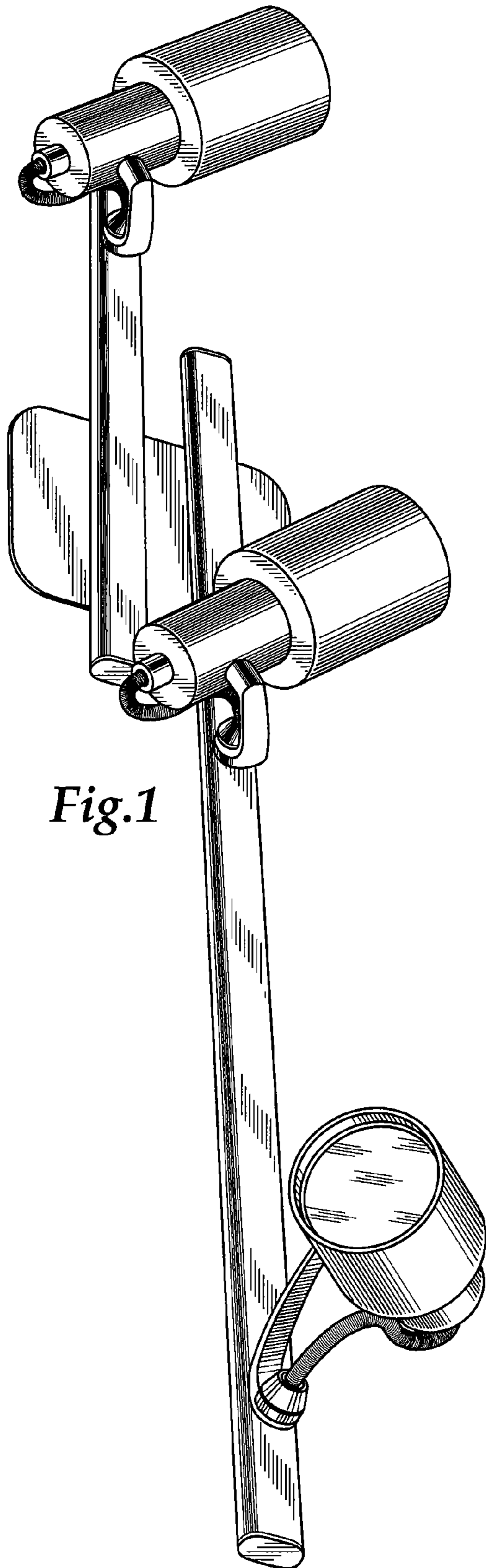


Fig. 1

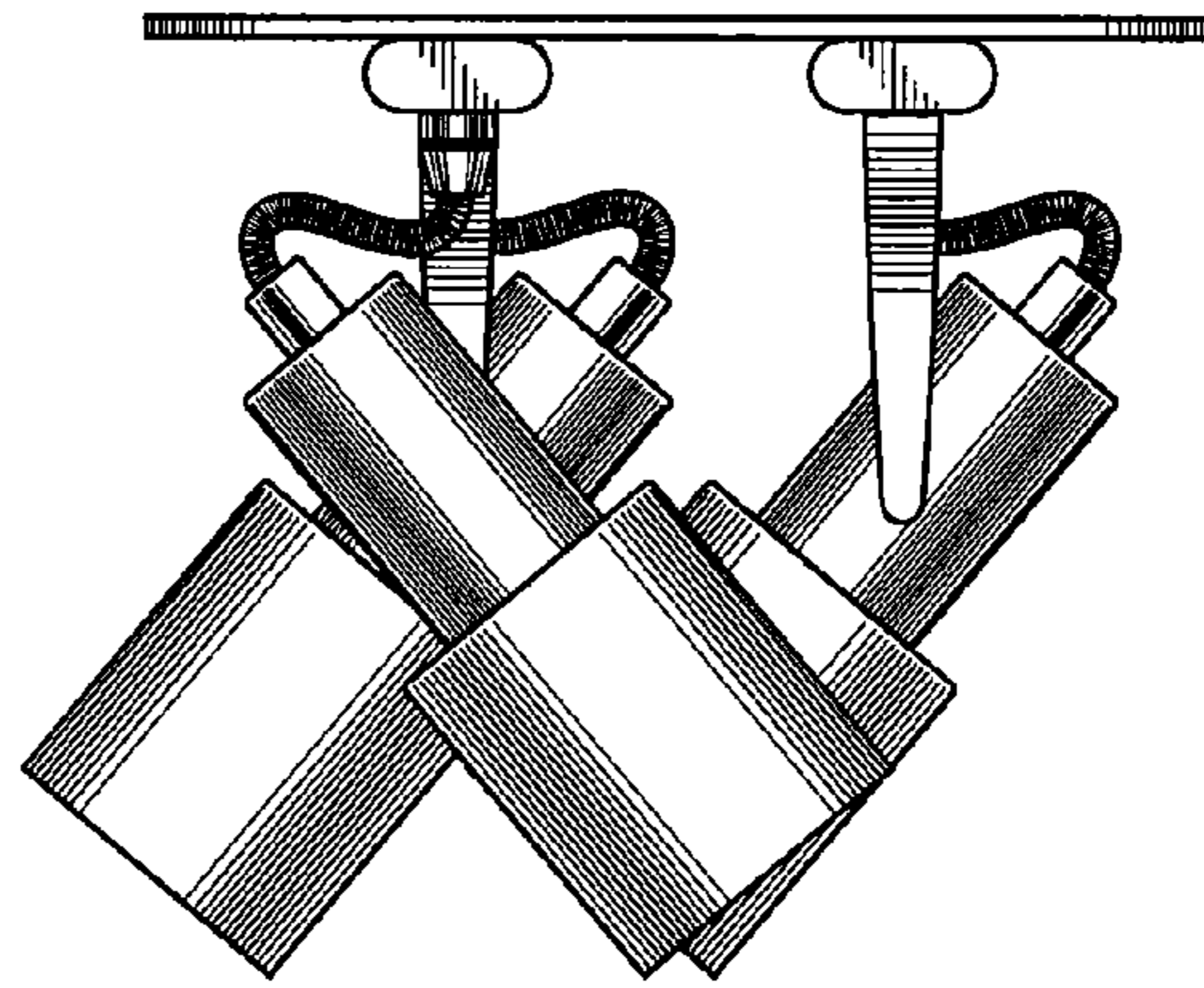


Fig. 2

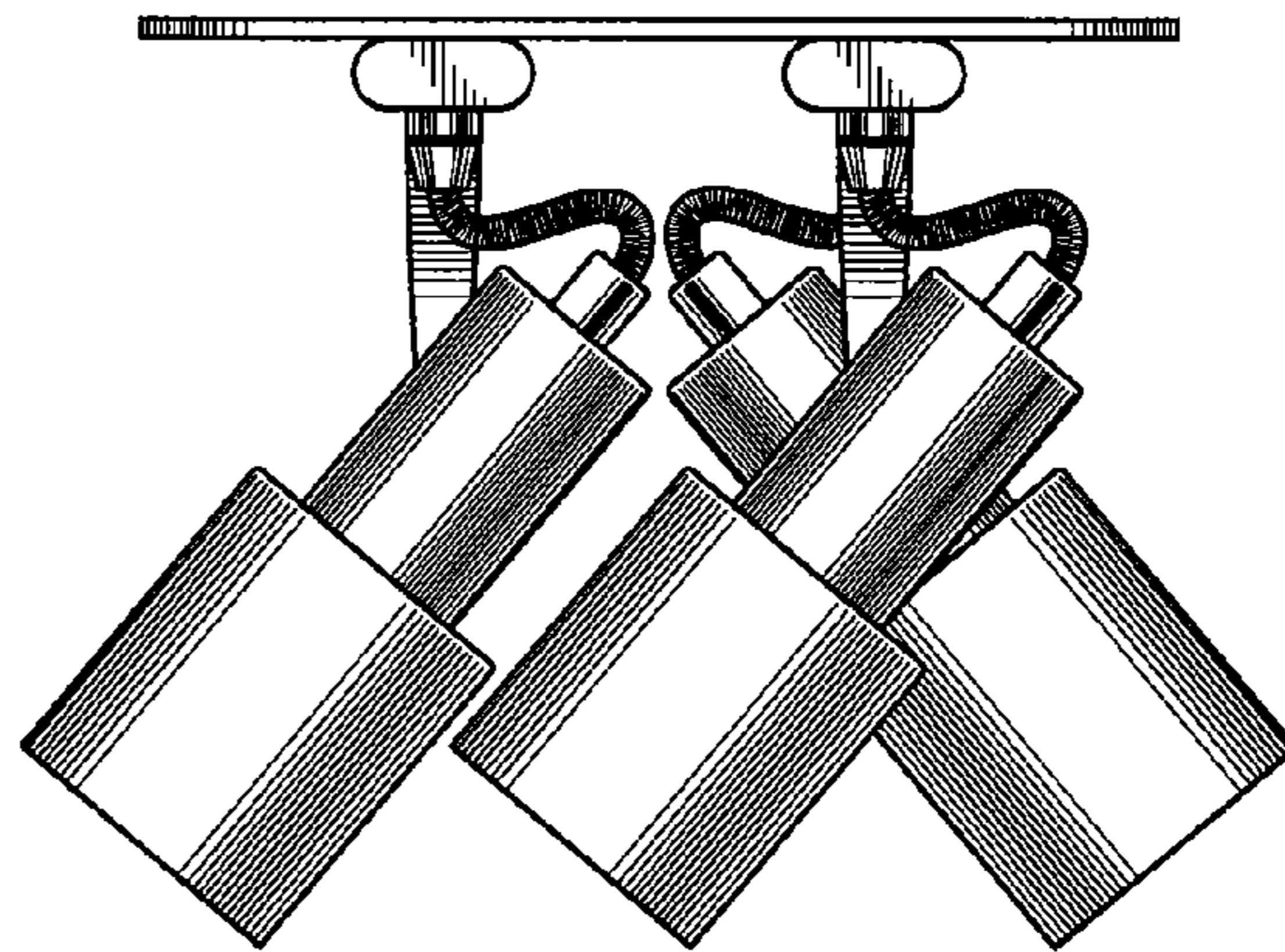


Fig. 3

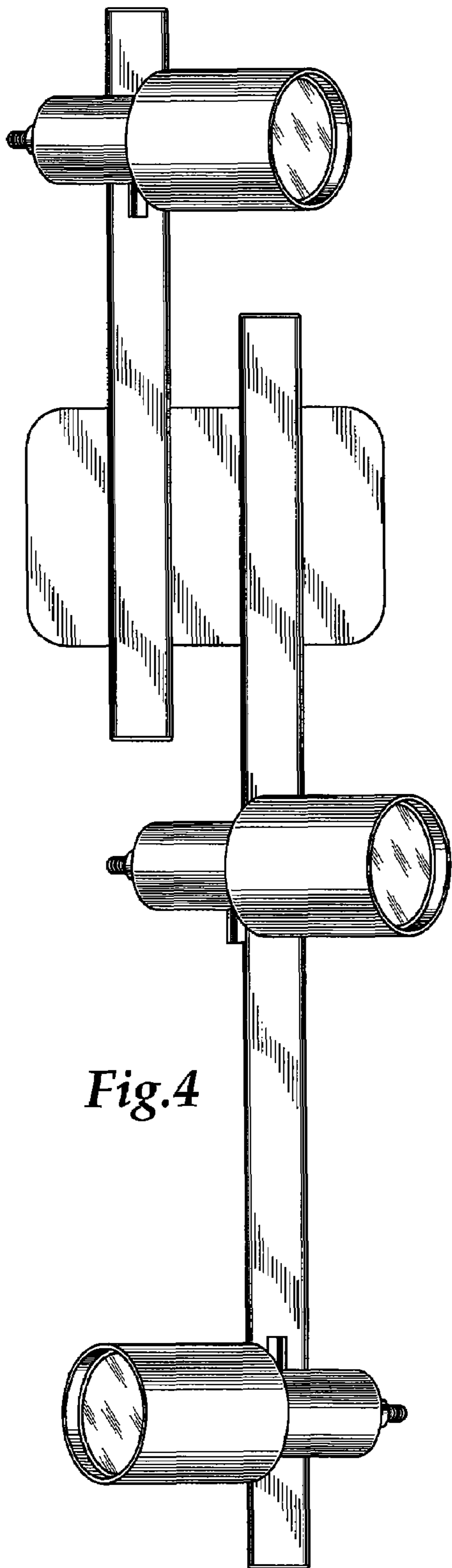


Fig.4

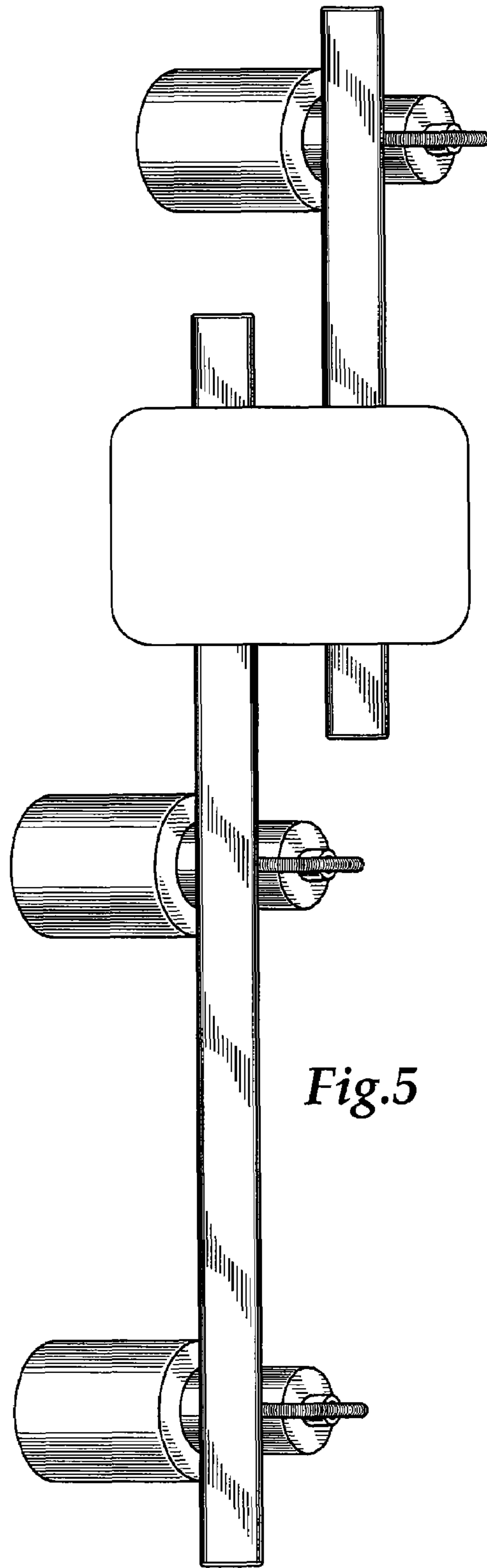


Fig.5

