



US00D589189S

(12) **United States Design Patent**
Sabernig

(10) **Patent No.:** **US D589,189 S**
(45) **Date of Patent:** **** Mar. 24, 2009**

(54) **LIGHT FIXTURE**

D563,579 S * 3/2008 Grimberg D26/61

(75) Inventor: **Robert Sabernig**, Munster (AT)

* cited by examiner

(73) Assignee: **EGLO Leuchten GmbH**, Innsbruck (AT)

Primary Examiner—Clare E Heflin

(74) *Attorney, Agent, or Firm*—Baker & McKenzie LLP

(**) Term: **14 Years**

(57) **CLAIM**

(21) Appl. No.: **29/324,847**

The ornamental design for a light fixture, as shown and described.

(22) Filed: **Sep. 22, 2008**

DESCRIPTION

Related U.S. Application Data

(63) Continuation-in-part of application No. 29/304,772, filed on Mar. 7, 2008.

FIG. 1 is a bottom perspective view of a light fixture in accordance with my design, illustrating an adjustable position;

(51) **LOC (9) Cl.** **26-05**

(52) **U.S. Cl.** **D26/63**

FIG. 2 is a top plan view of the light fixture in accordance with my design, illustrating an adjustable position;

(58) **Field of Classification Search** D26/61–67, D26/83, 86, 87, 89, 128; 362/147, 237, 238, 362/250, 282, 283, 285, 287, 288, 371, 426, 362/648

FIG. 3 is a bottom plan view of the light fixture in accordance with my design, illustrating an adjustable position;

See application file for complete search history.

FIG. 4 is a front elevation view of the light fixture in accordance with my design, illustrating an adjustable position;

(56) **References Cited**

U.S. PATENT DOCUMENTS

| | | | | | | |
|-----------|---|---|---------|--------------|-------|---------|
| D147,600 | S | * | 9/1947 | Simon et al. | | D24/210 |
| 3,388,246 | A | * | 6/1968 | Bailey | | 362/285 |
| 4,118,760 | A | * | 10/1978 | Cohon | | 362/239 |
| D369,877 | S | * | 5/1996 | Lupien | | D26/64 |
| D395,140 | S | * | 6/1998 | O'Rourke | | D26/140 |
| D438,320 | S | * | 2/2001 | Tang | | D26/63 |
| D465,298 | S | * | 11/2002 | Gottwald | | D26/85 |
| D476,439 | S | * | 6/2003 | O'Rourke | | D26/63 |
| D491,684 | S | * | 6/2004 | McInnis | | D26/63 |

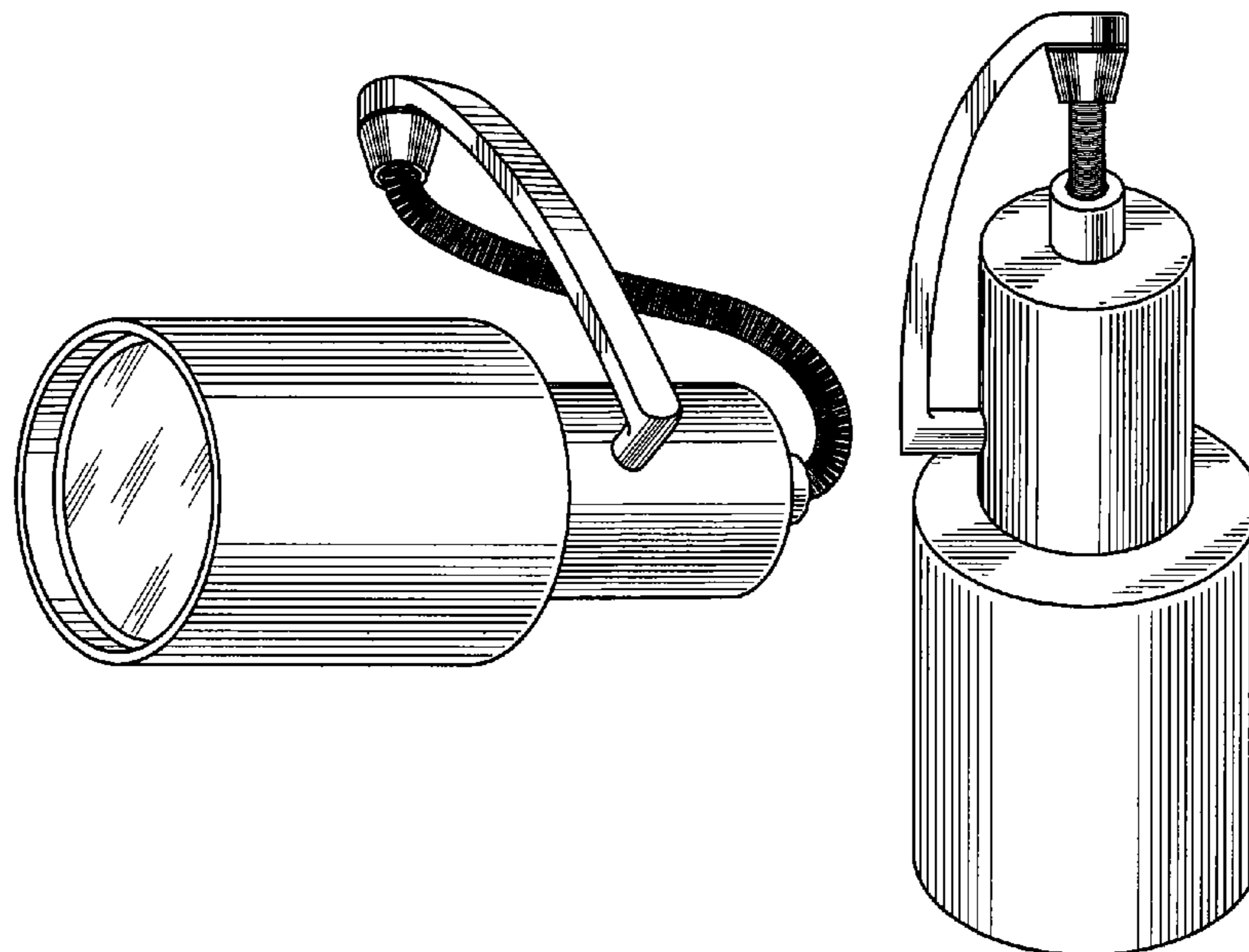
FIG. 5 is a back elevation view of the light fixture in accordance with my design, illustrating an adjustable position;

FIG. 6 is a side elevation view of the light fixture in accordance with my design, illustrating an adjustable position; and,

FIG. 7 is an opposite side elevation view of the light fixture in accordance with my design, illustrating an adjustable position.

The broken lines showing environmental structure are for illustrative purposes only and form no part of the claimed design.

1 Claim, 2 Drawing Sheets



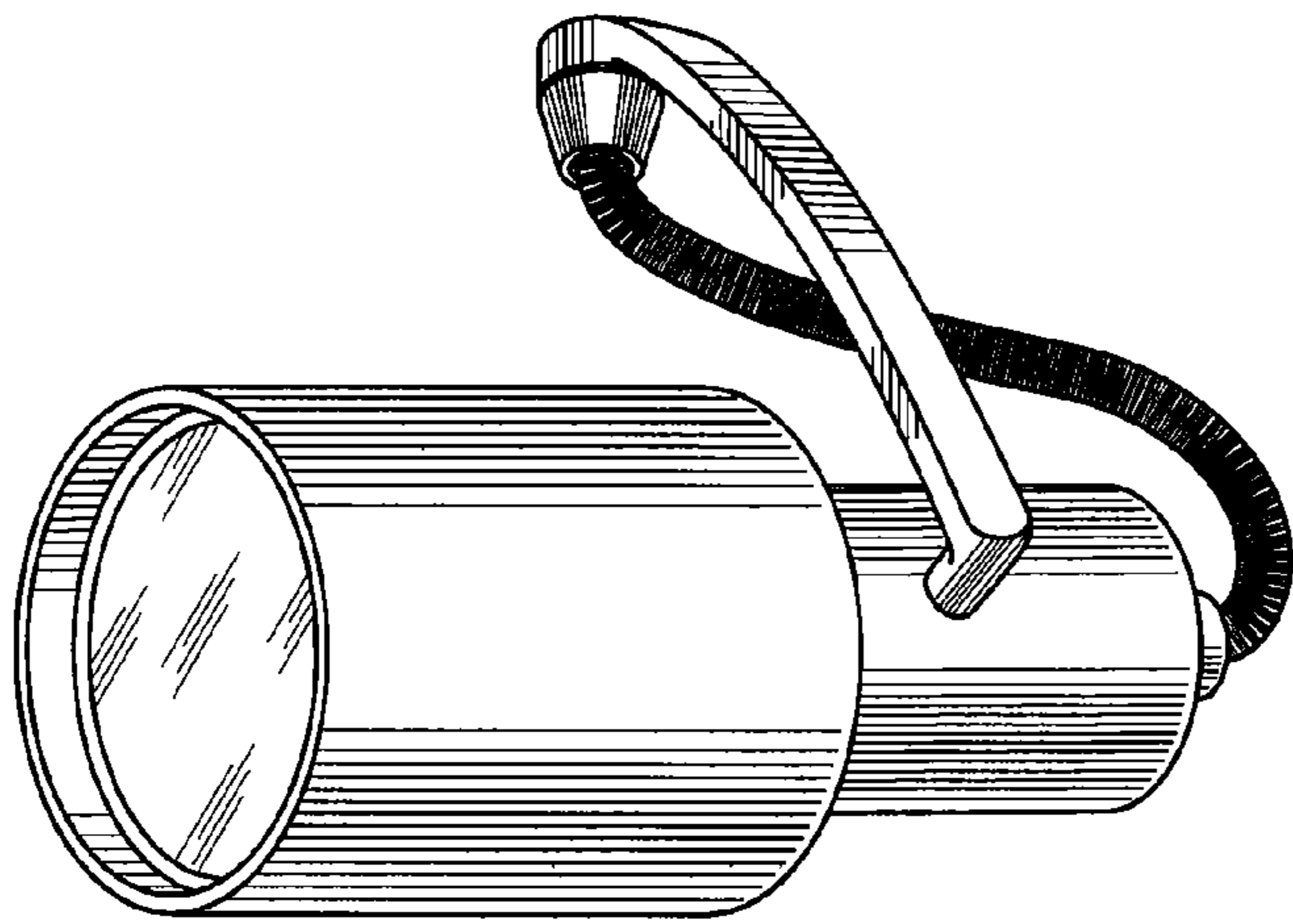


Fig.1

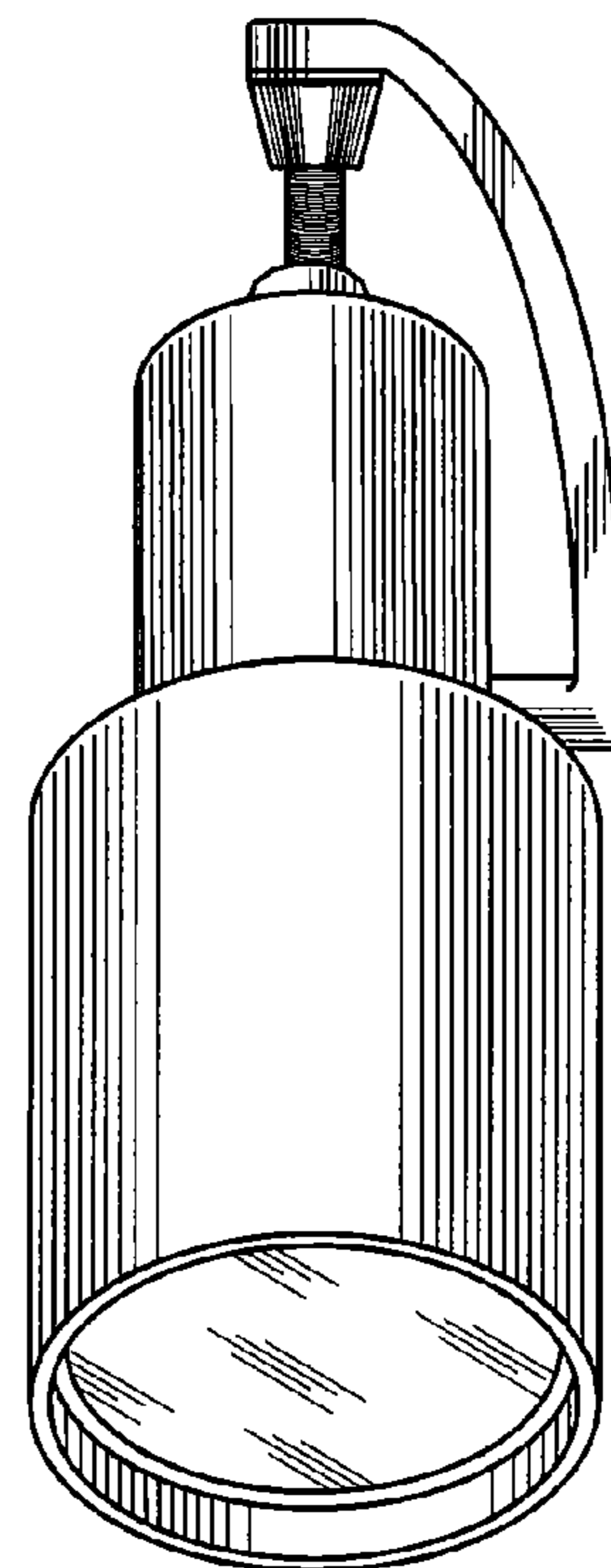


Fig.4

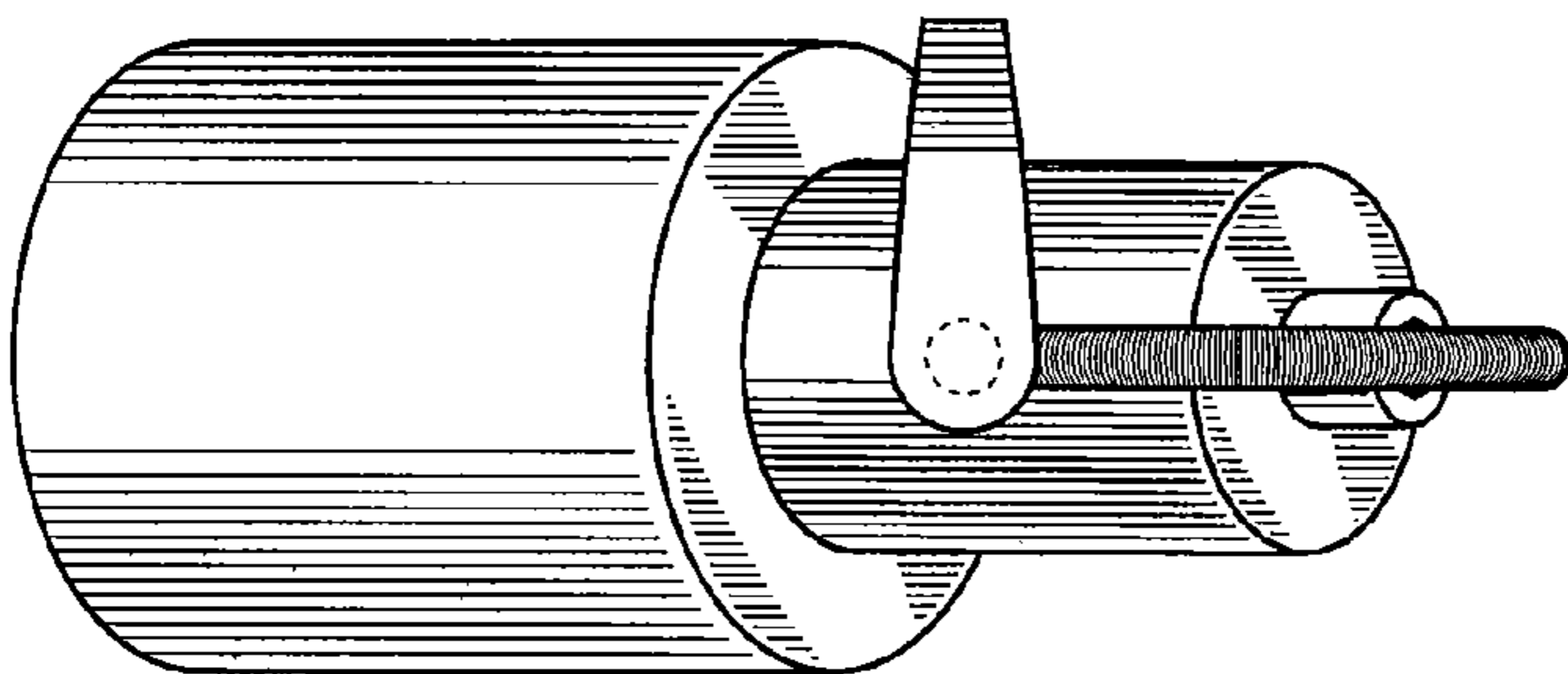


Fig.2

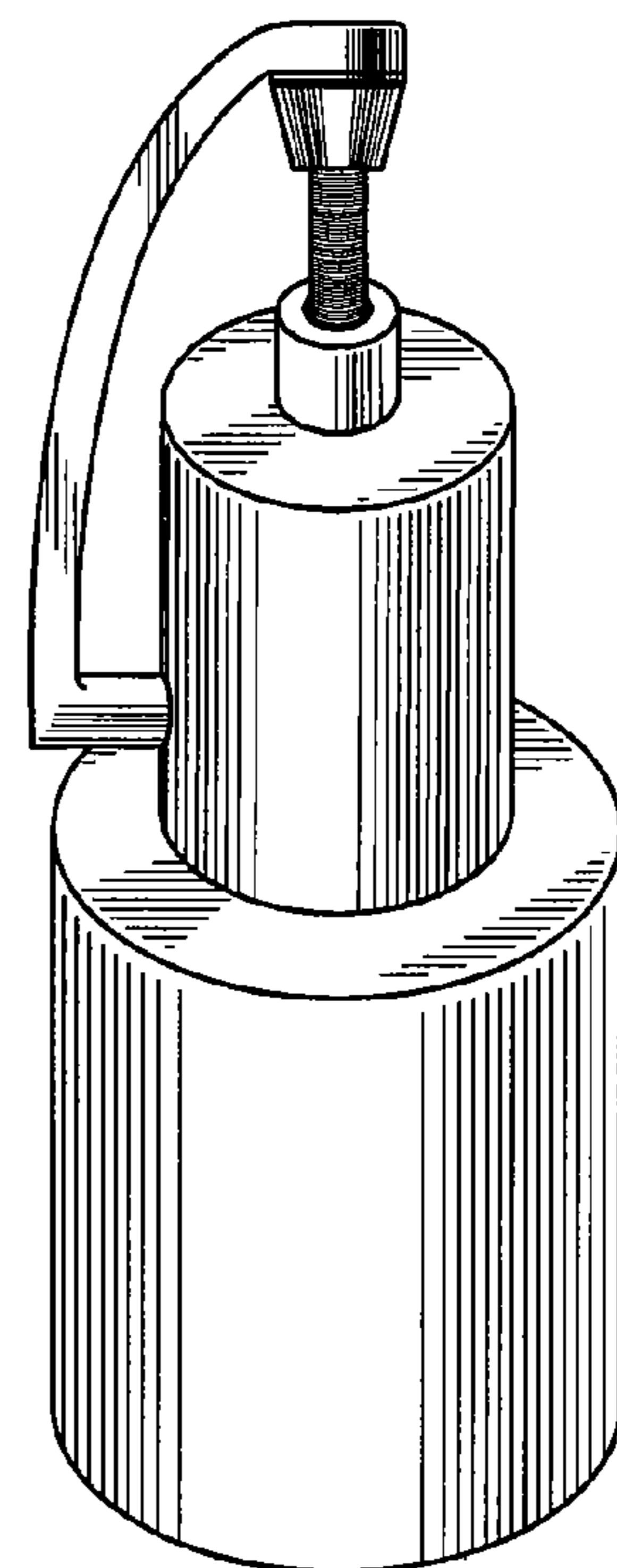


Fig.5

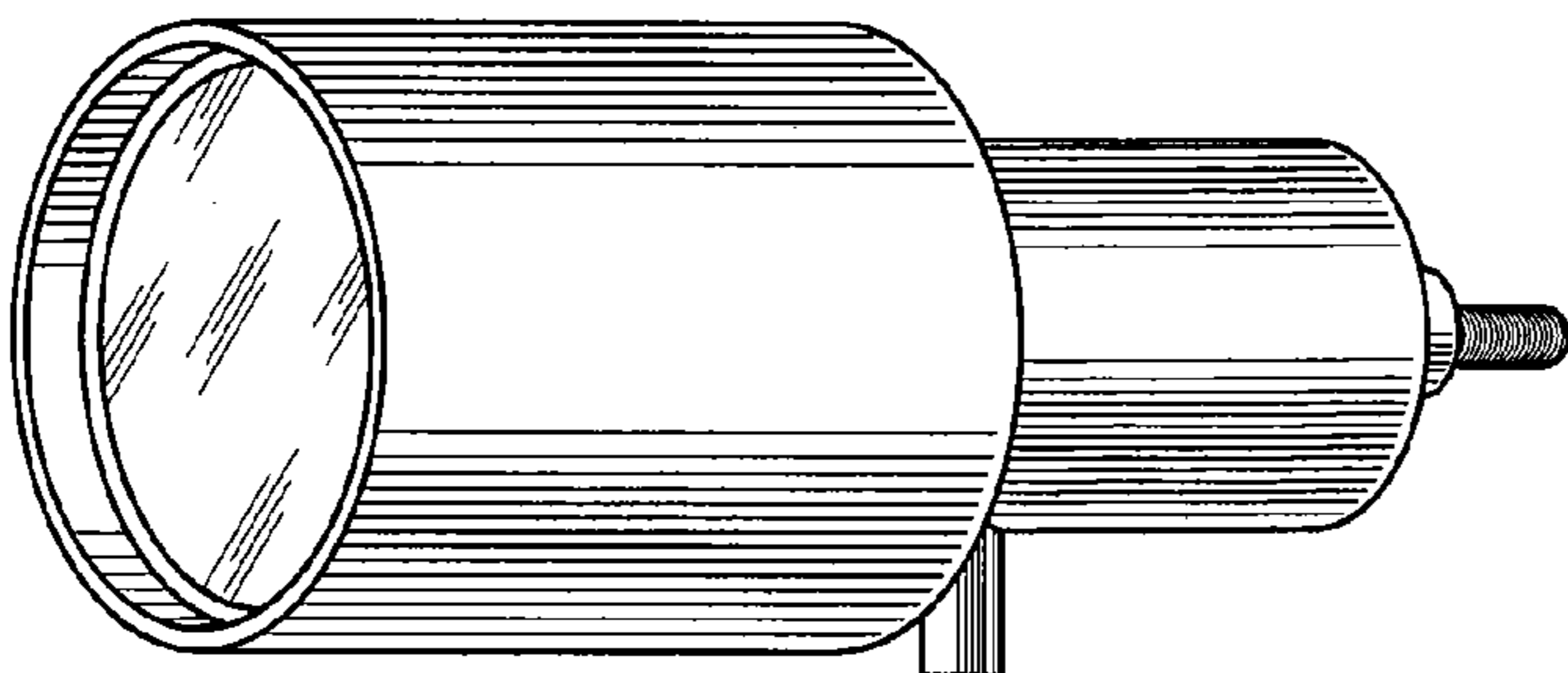


Fig.3

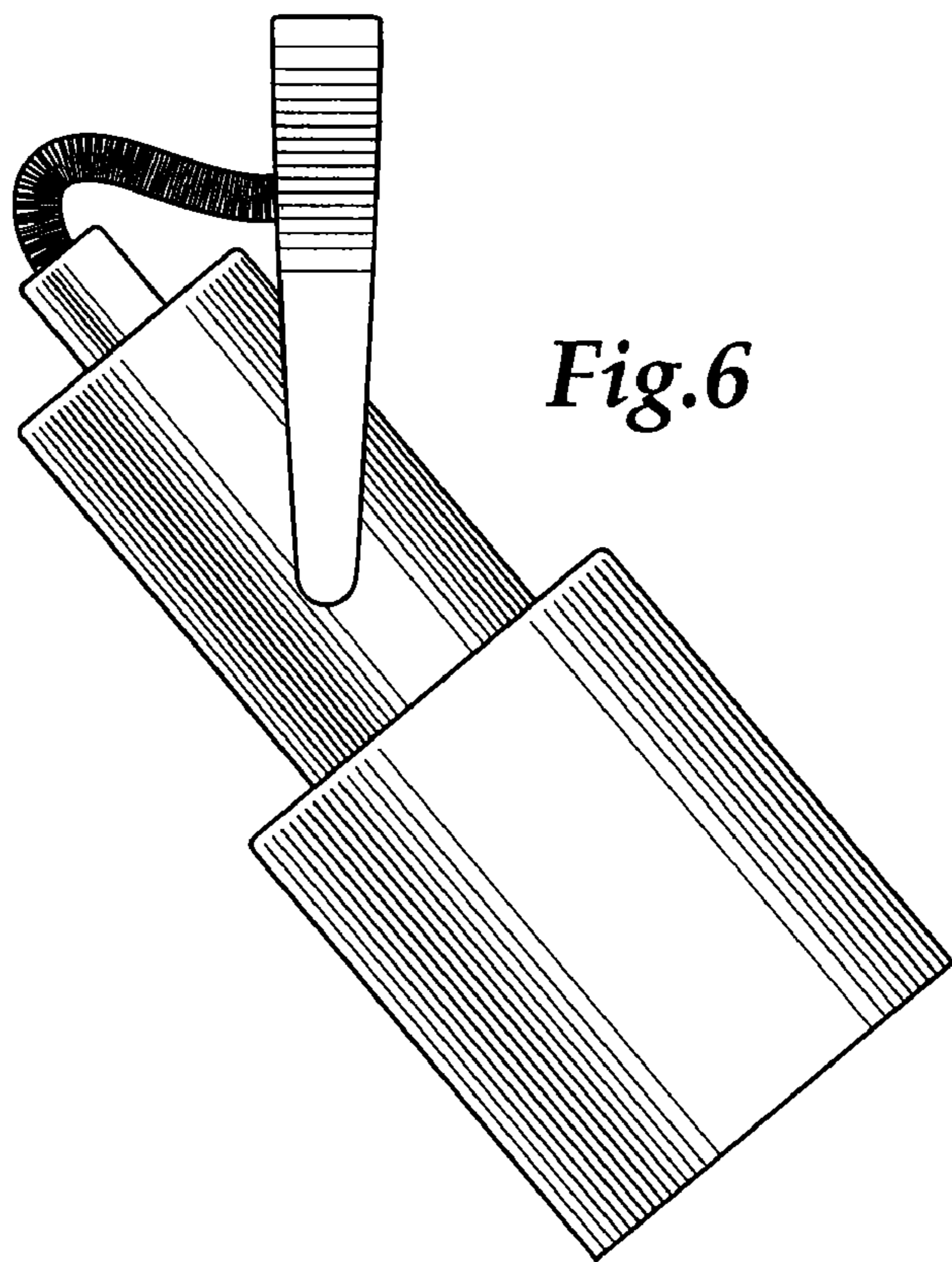


Fig. 6

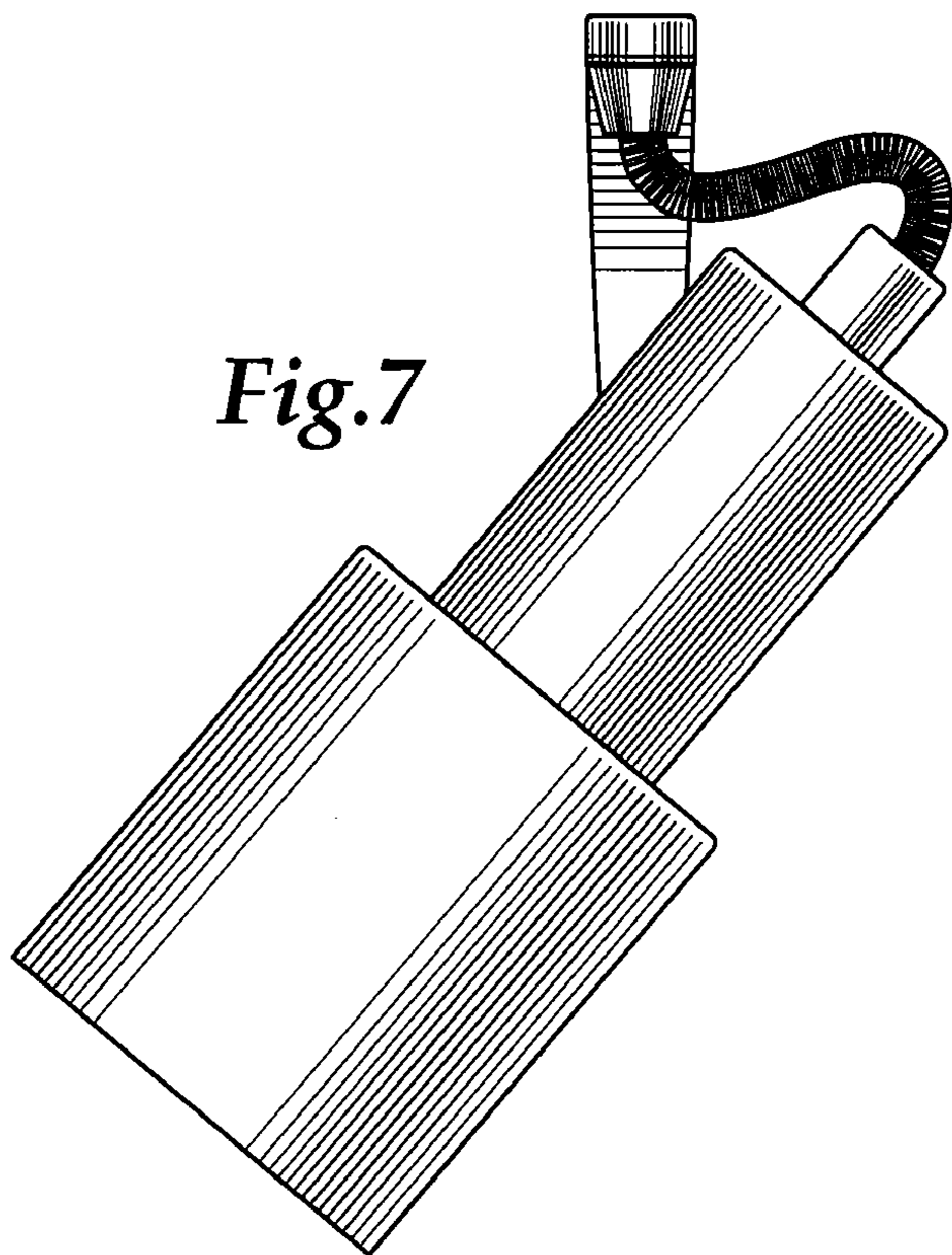


Fig. 7