



US00D589187S

(12) **United States Design Patent**
Kung

(10) **Patent No.:** **US D589,187 S**

(45) **Date of Patent:** **** Mar. 24, 2009**

(54) **PORTABLE LANTERN**

D546,991 S * 7/2007 Poon D26/40
D547,891 S * 7/2007 Shiu D26/40

(75) Inventor: **Kenneth Kung**, Columbus, OH (US)

* cited by examiner

(73) Assignee: **Dorcy International Inc.**, Columbus, OH (US)

Primary Examiner—Ian Simmons
Assistant Examiner—Dana L Sipos

(**) Term: **14 Years**

(57) **CLAIM**

(21) Appl. No.: **29/298,780**

The ornamental design for a portable lantern, as shown and described.

(22) Filed: **Dec. 13, 2007**

(51) **LOC (9) Cl.** **26-02**

(52) **U.S. Cl.** **D26/41**

(58) **Field of Classification Search** D26/24,
D26/37, 40–41, 93, 104, 106–108, 110–112;
362/171–174

See application file for complete search history.

DESCRIPTION

FIG. 1 is a front elevational view of a portable lantern showing my new design;

FIG. 2 is a rear elevational view thereof;

FIG. 3 is a left side view thereof;

FIG. 4 is a right side view thereof;

FIG. 5 is a top plan view thereof;

FIG. 6 is a bottom plan view thereof; and,

FIG. 7 is a perspective view thereof.

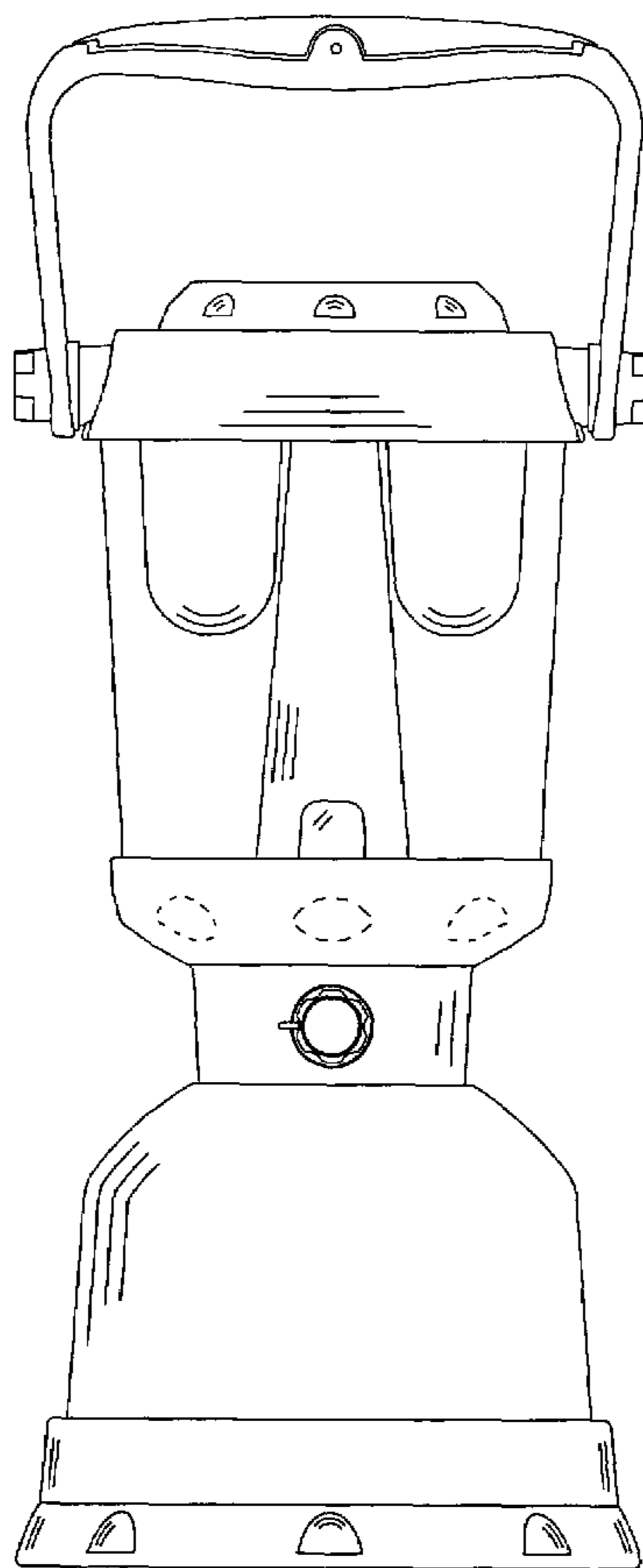
The broken lines in the drawings illustrate portions of the design that form no part of the claim.

(56) **References Cited**

U.S. PATENT DOCUMENTS

D229,218	S *	11/1973	Curtis et al.	D26/41
4,599,683	A *	7/1986	Beckham et al.	362/166
5,274,609	A *	12/1993	Bradley	362/179
D389,257	S *	1/1998	Eca et al.	D26/37
D393,323	S *	4/1998	Howard et al.	D26/41
6,394,630	B1 *	5/2002	Skidmore et al.	362/394

1 Claim, 6 Drawing Sheets



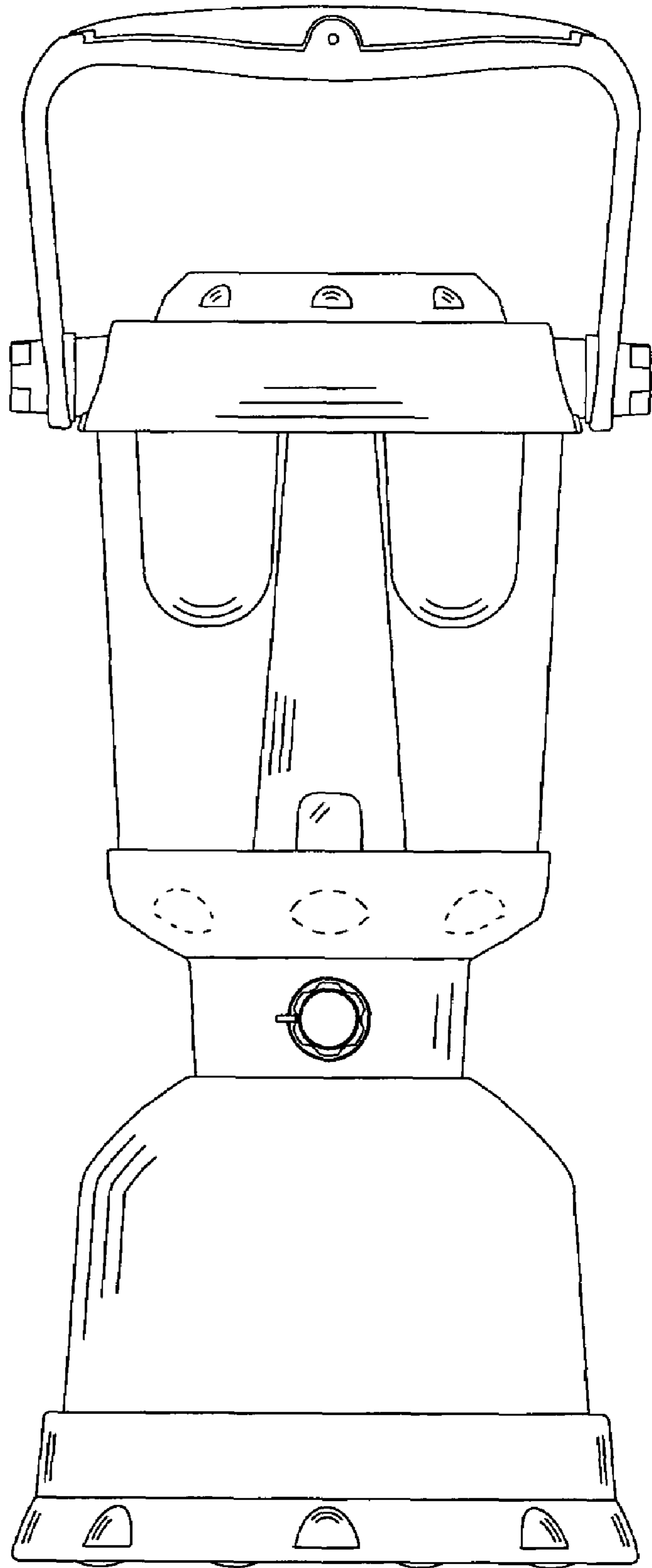


FIG.1

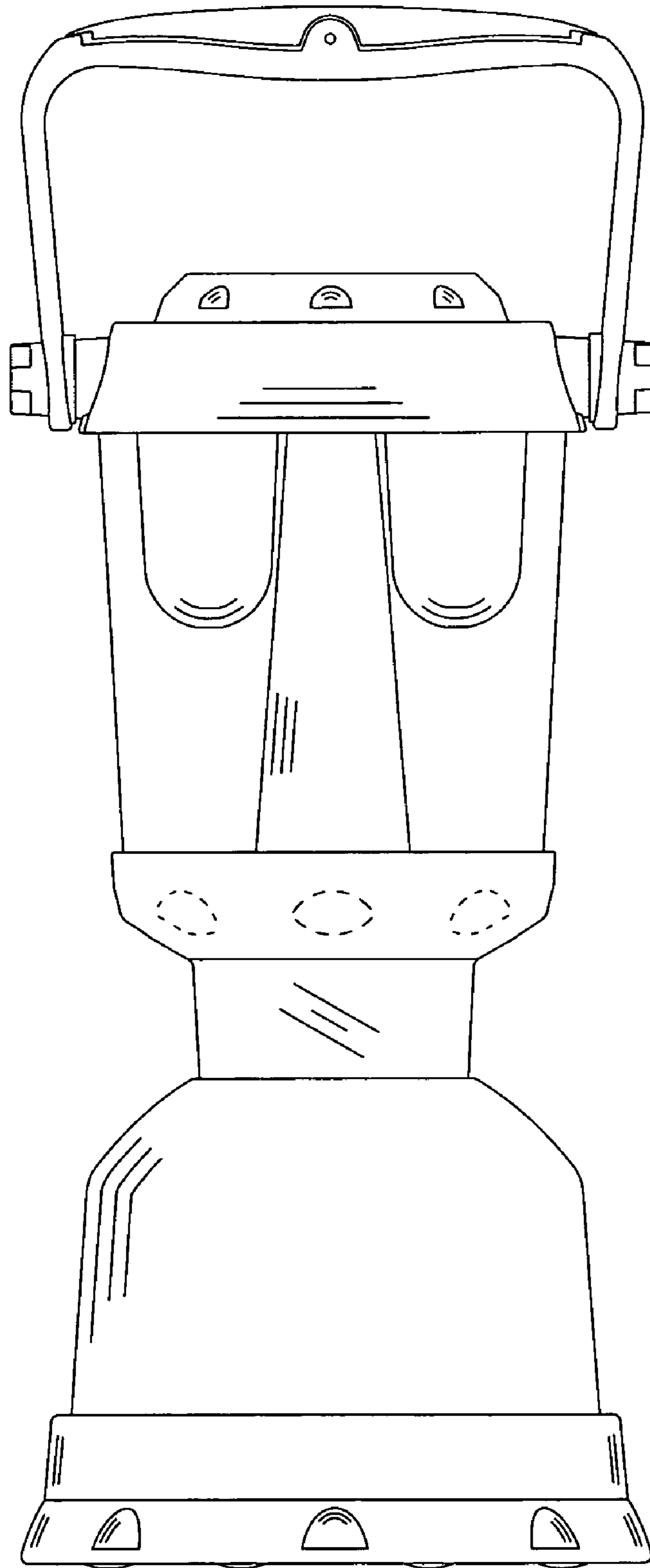


FIG.2

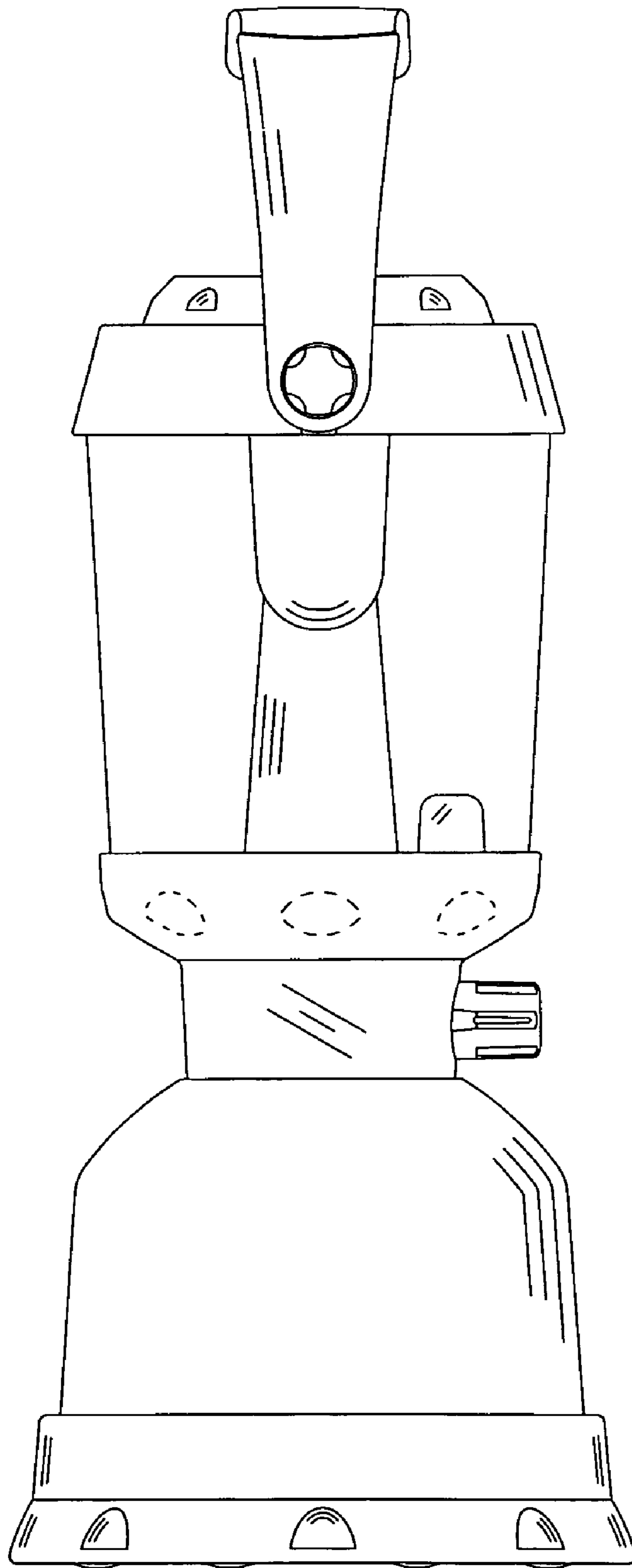


FIG.3

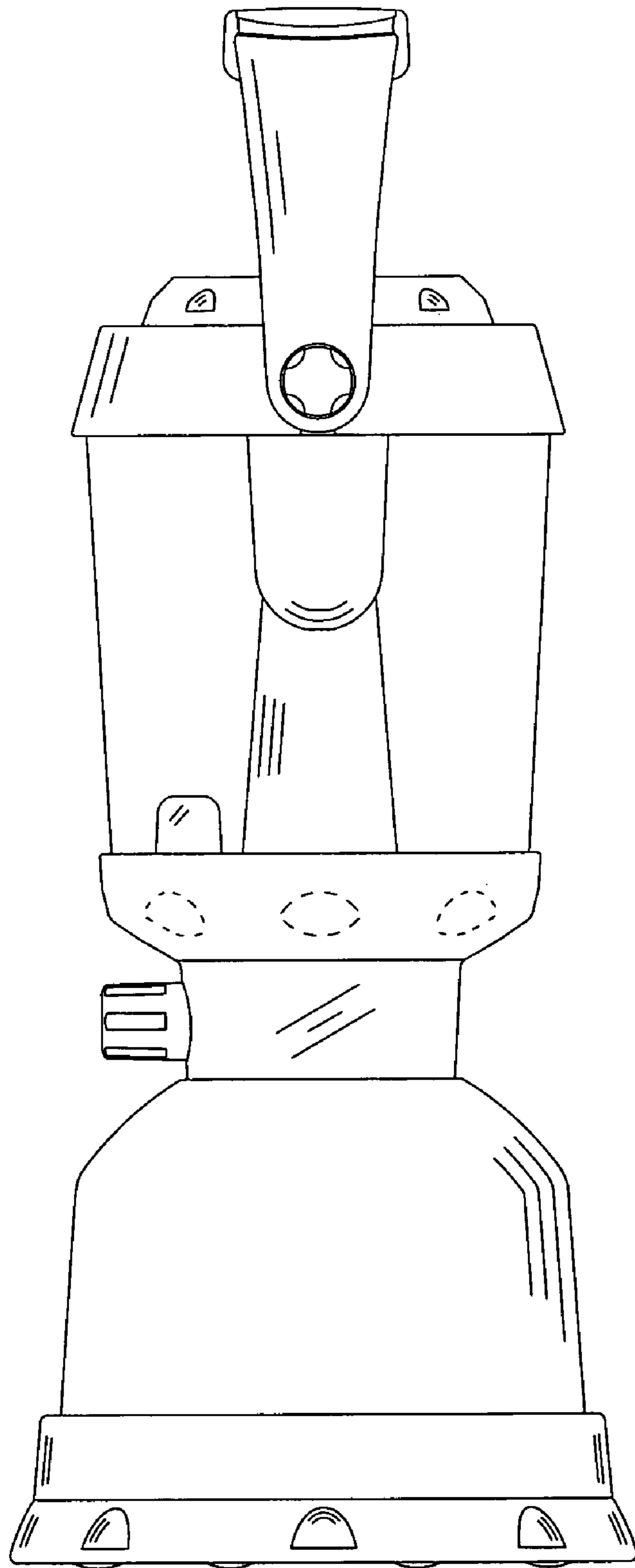


FIG 4

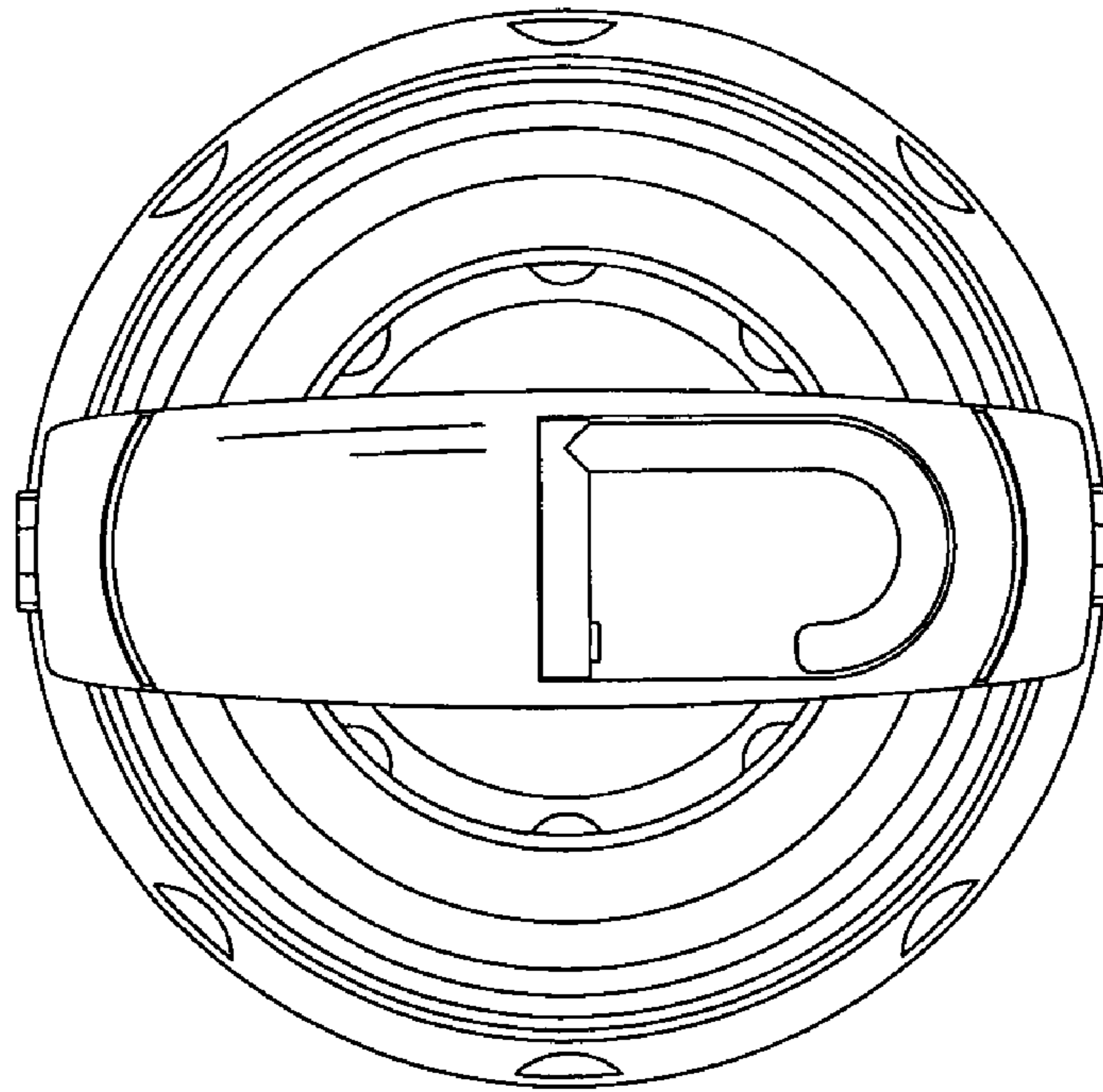


FIG. 5

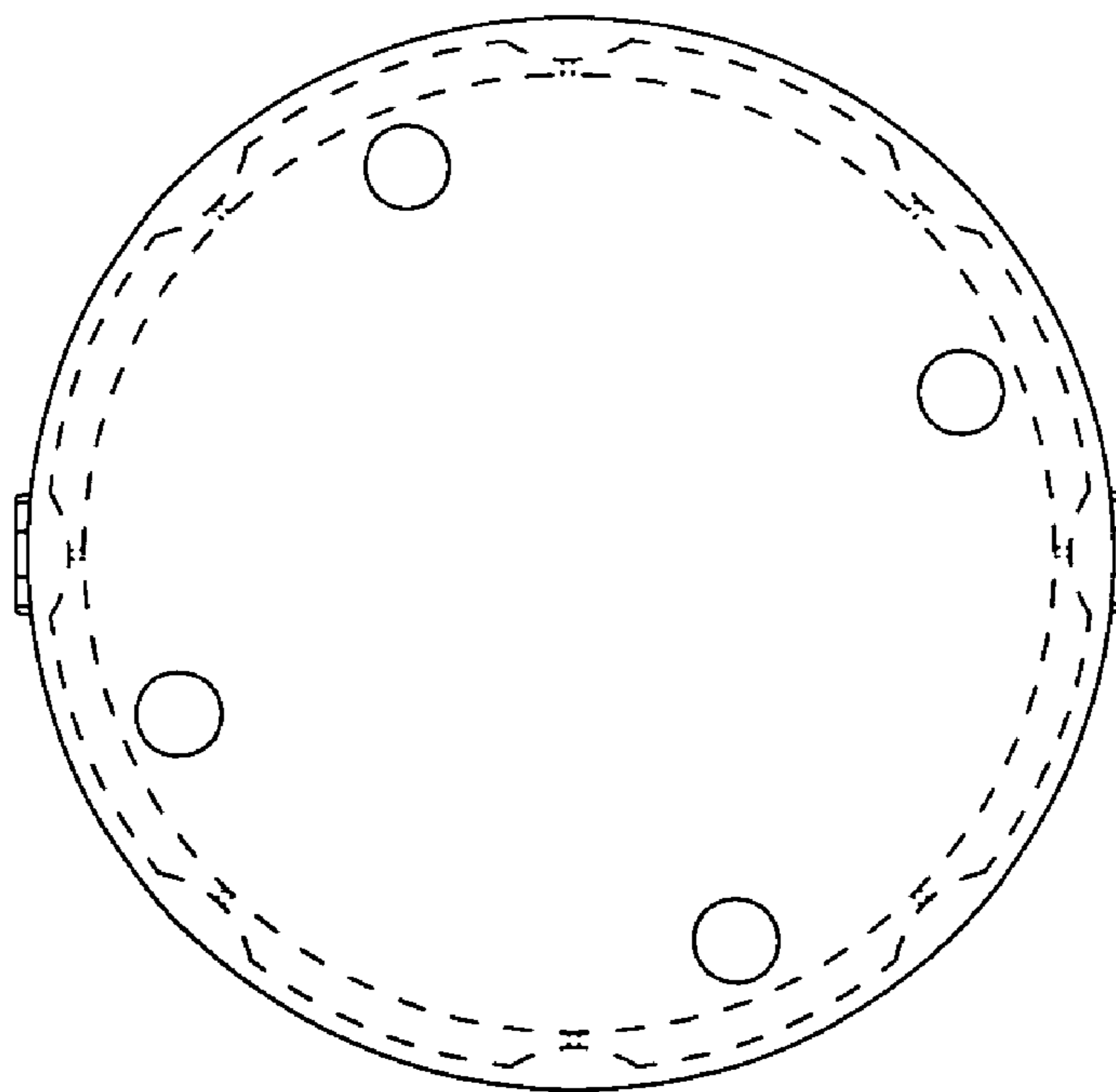


FIG. 6

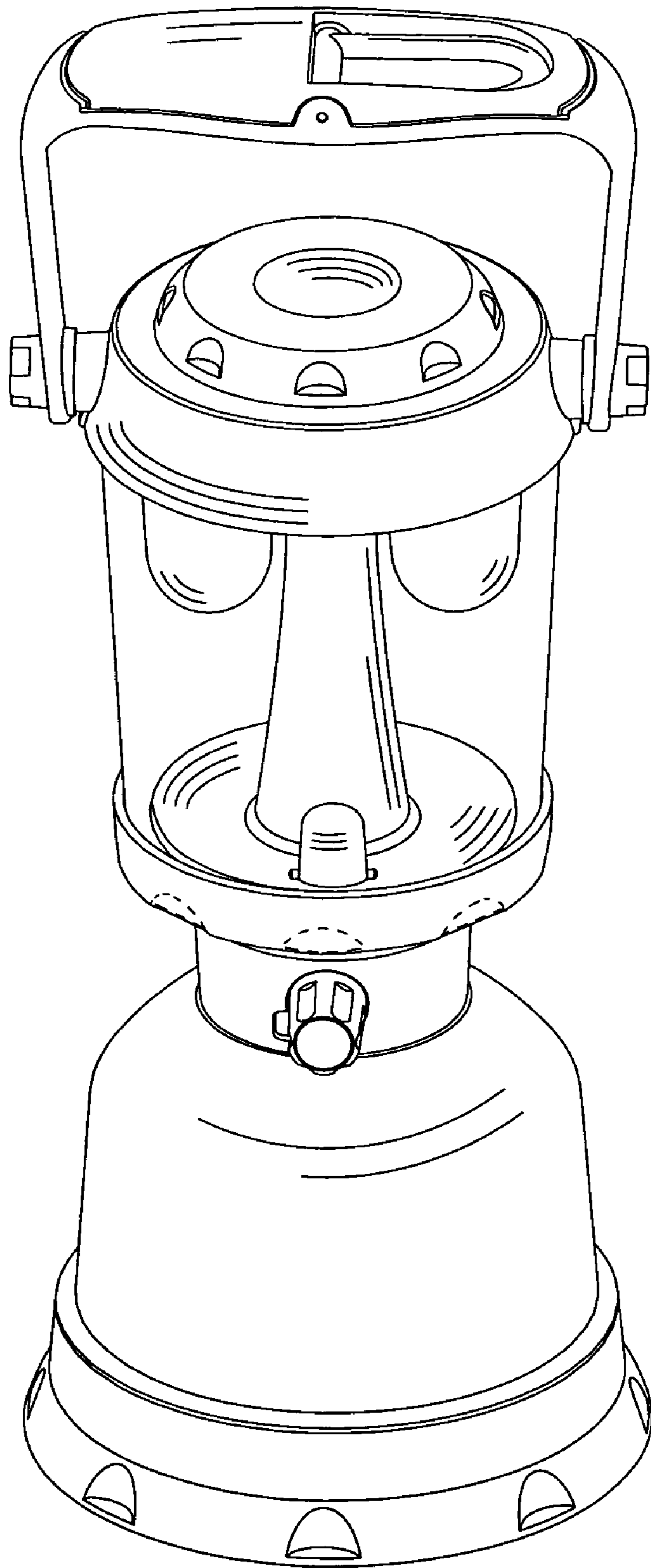


FIG. 7