



US00D589180S

(12) **United States Design Patent**
Tomatsu et al.

(10) **Patent No.:** **US D589,180 S**

(45) **Date of Patent:** **** Mar. 24, 2009**

(54) **FRONT COMBINATION LAMP FOR AN
AUTOMOBILE**

(75) Inventors: **Nobuyuki Tomatsu**, Toyota (JP); **Tetsu
Endoh**, Kariya (JP)

(73) Assignee: **Toyota Jidosha Kabushiki Kaisha**,
Toyota (JP)

(**) Term: **14 Years**

(21) Appl. No.: **29/274,369**

(22) Filed: **Apr. 20, 2007**

(51) **LOC (9) Cl.** **26-06**

(52) **U.S. Cl.** **D26/28**

(58) **Field of Classification Search** D26/28-36;
362/459-468, 475-478, 485-487
See application file for complete search history.

(56) **References Cited**

U.S. PATENT DOCUMENTS

D560,832 S * 1/2008 Hsu D26/28
D561,359 S * 2/2008 Hsu D26/28
D563,576 S * 3/2008 Hanaoka D26/28

OTHER PUBLICATIONS

Brochure of Voxy, Toyota Voxy, Aug. 2004, Toyota Jidosha
Kabushiki Kaisha.

Suzuki Wagon R; All About New Wagon R; Sanei-Shobo-Publishing
Co., Ltd.; Nov. 21, 2003.

Automotive Guide Book of Japan, vol. .49, "X-Trail," (Nissan Motor
Co. Ltd: Oct. 29, 2002) p. 105.

Brochure of Toyota Funcargo, issued by Toyota Jidosha Kabushiki
Kaisha, Aug. 1, 2002.

* cited by examiner

Primary Examiner—Marcus A. Jackson

(74) *Attorney, Agent, or Firm*—Finnegan, Henderson,
Farabow, Garrett & Dunner, L.L.P.

(57) **CLAIM**

The ornamental design for a front combination lamp for an
automobile, as shown and described.

DESCRIPTION

FIG. 1 is a perspective view of a front combination lamp for
an automobile of our new design;

FIG. 2 is a front view thereof;

FIG. 3 is a rear view thereof;

FIG. 4 is a top view thereof;

FIG. 5 is a bottom view thereof;

FIG. 6 is a left-side view thereof; and,

FIG. 7 is a right-side view thereof.

Our design includes the mirror image of the embodiment
depicted.

1 Claim, 4 Drawing Sheets





FIG. 1

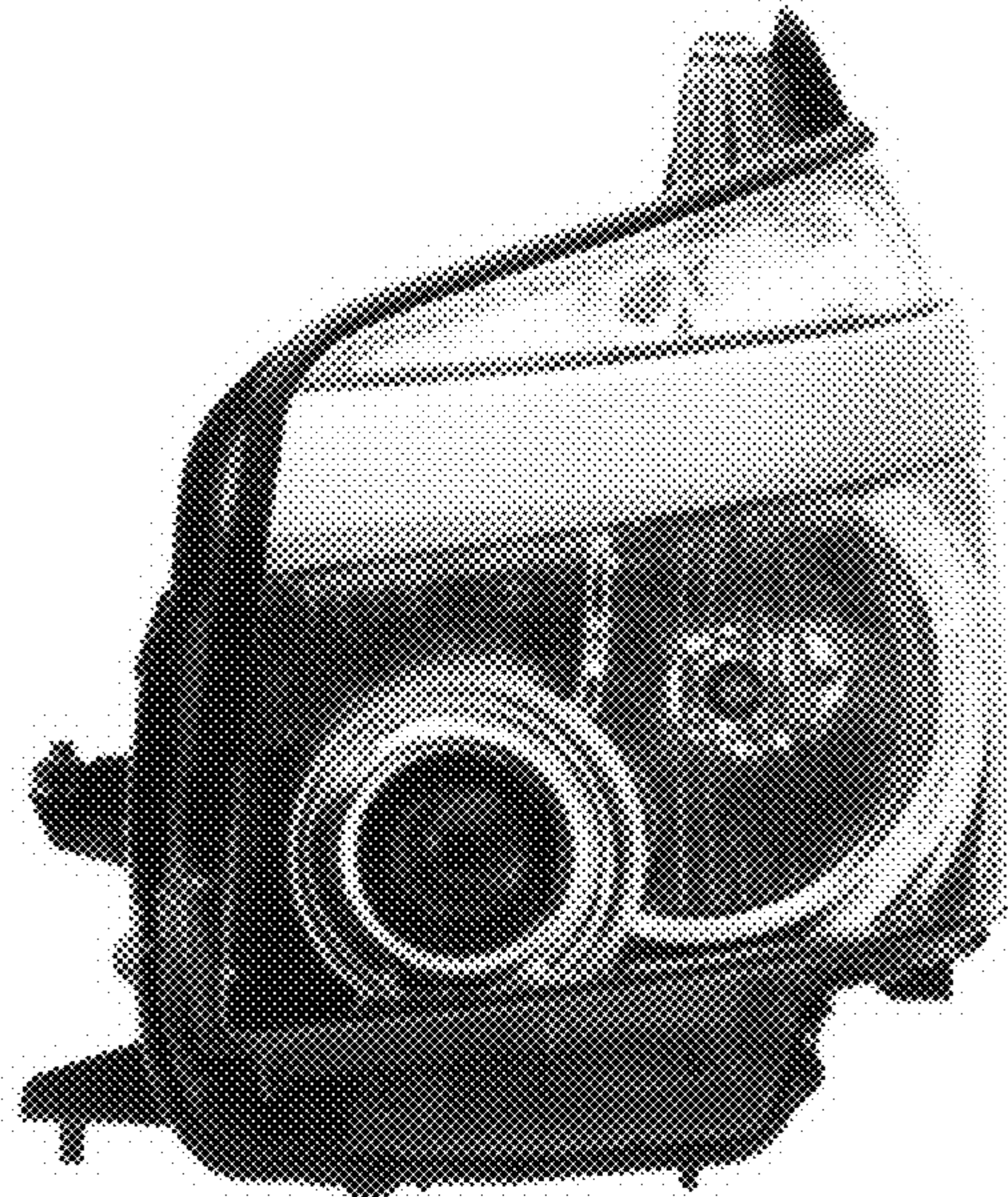


FIG. 2

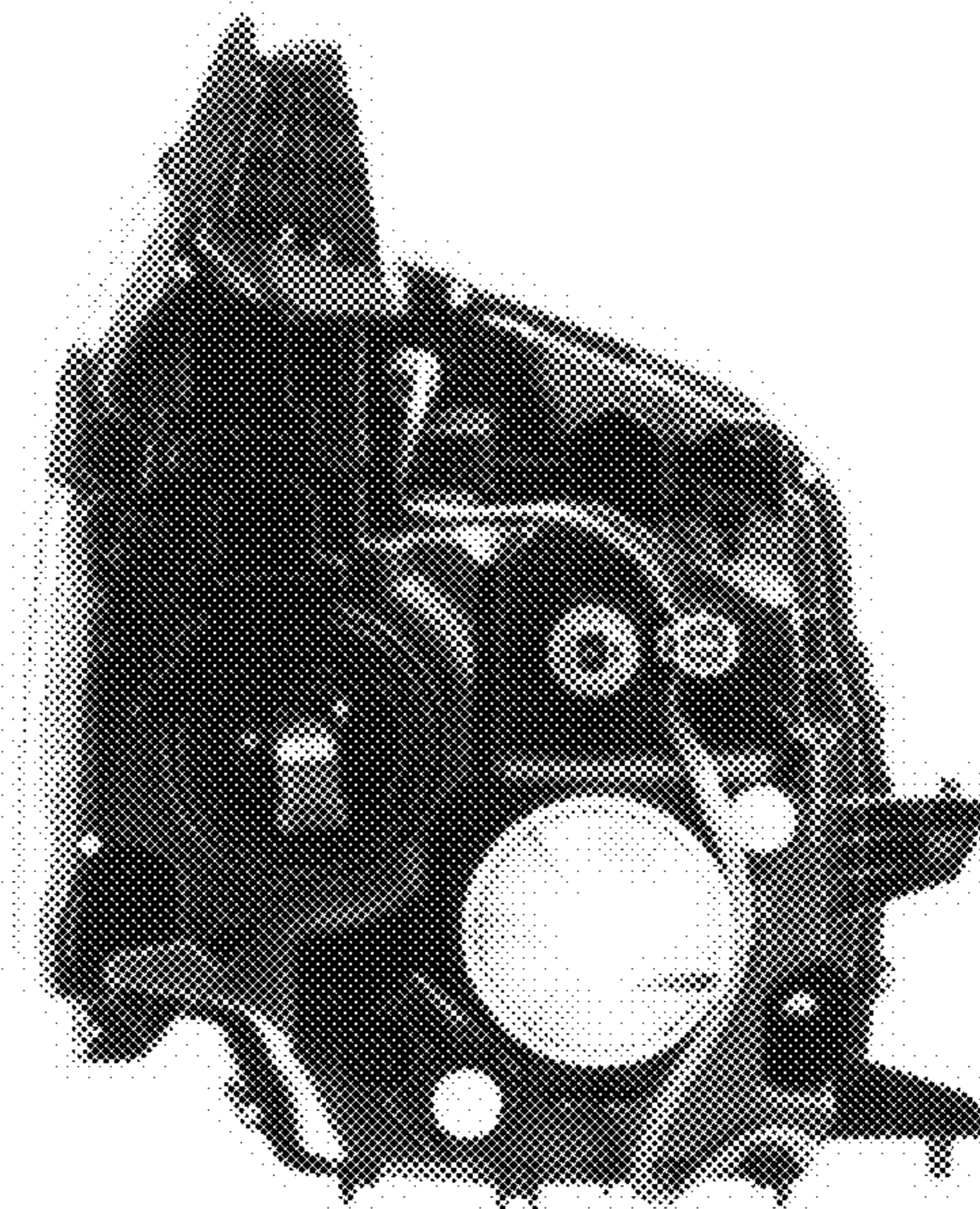


FIG. 3

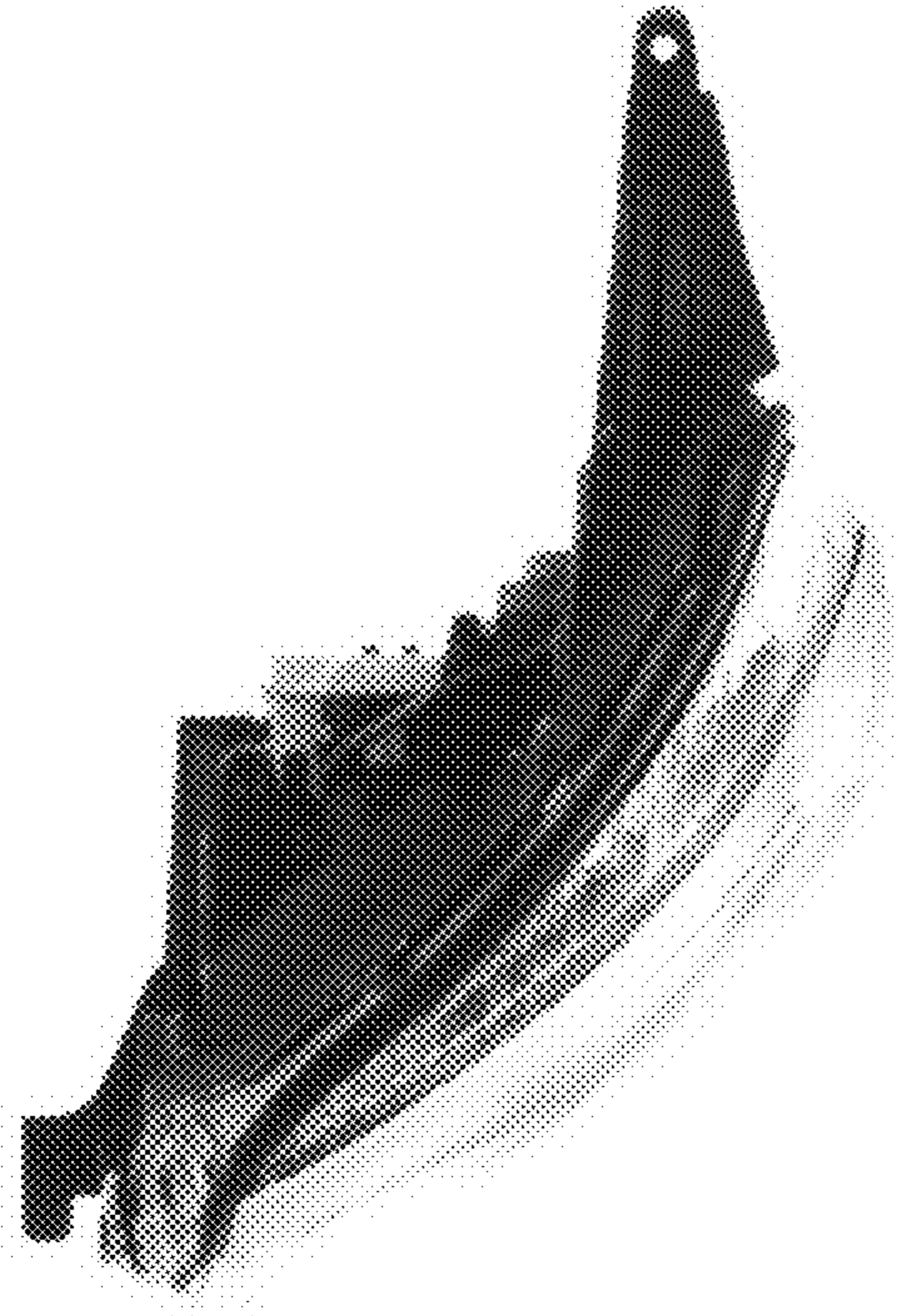


FIG. 4

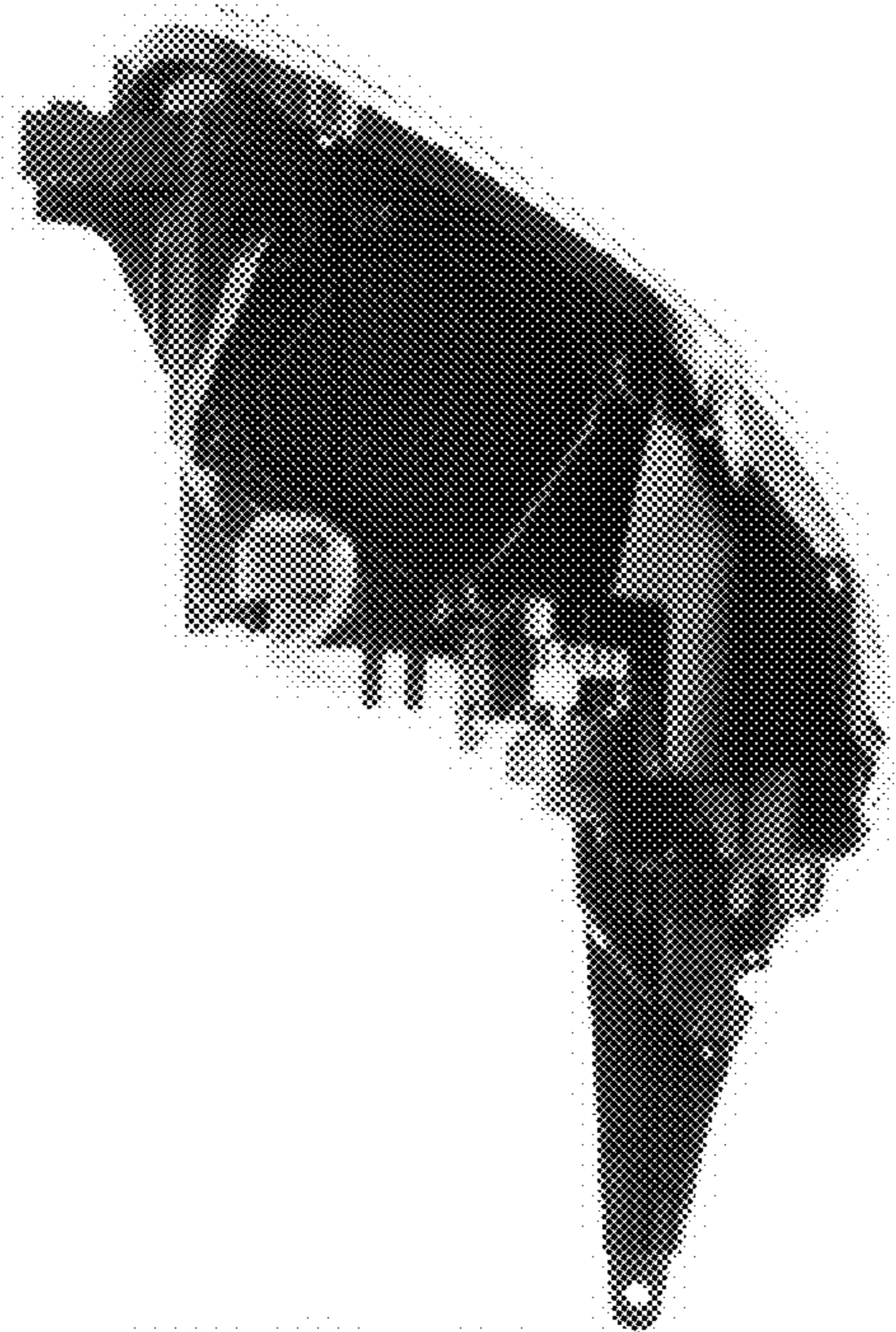


FIG. 5



FIG. 6

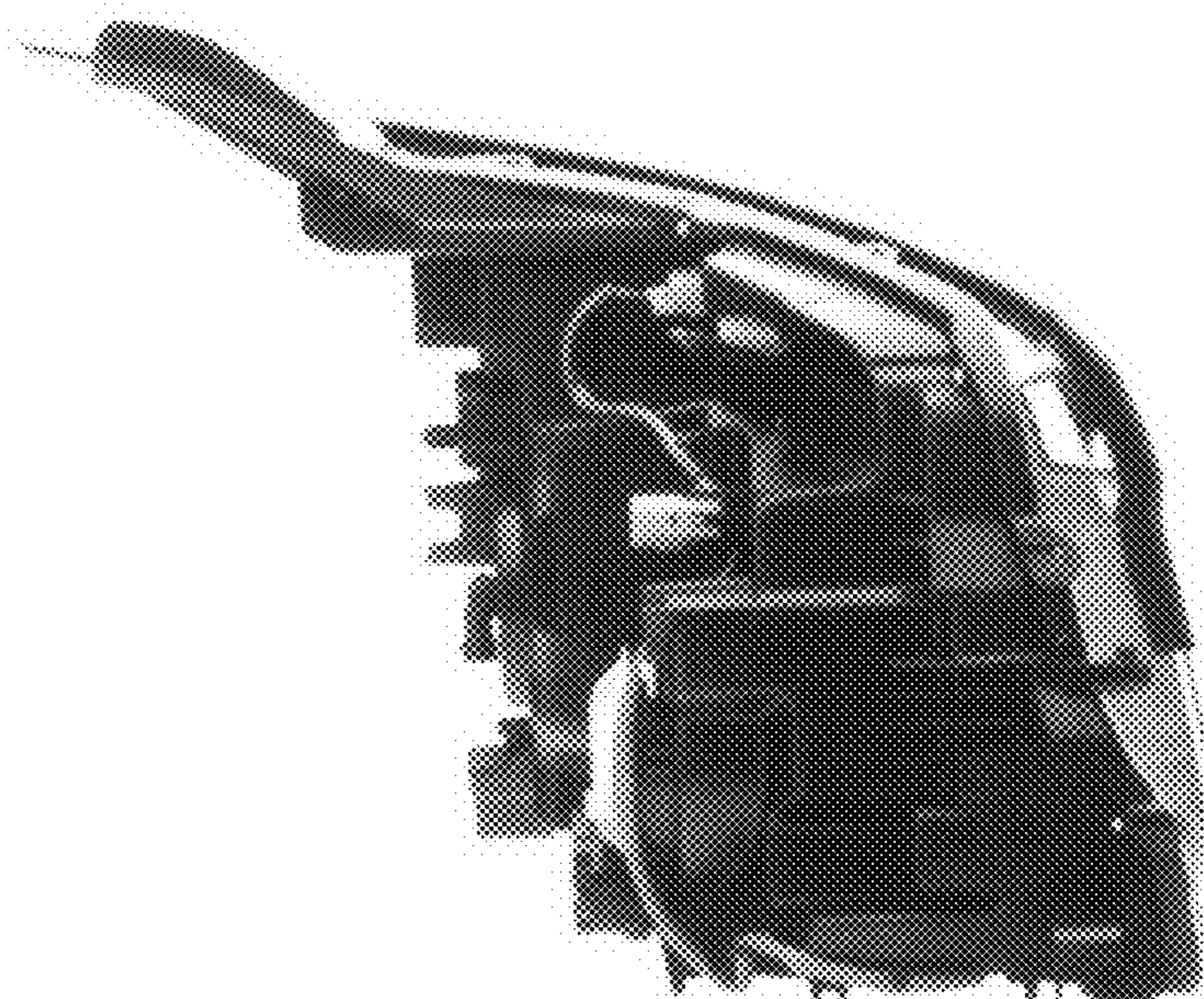


FIG. 7