



US00D589177S

(12) **United States Design Patent**
Langley

(10) **Patent No.:** **US D589,177 S**
(45) **Date of Patent:** **** Mar. 24, 2009**

(54) **FOOTBALL MEMORABILIA OUTDOOR TORCH**

(76) Inventor: **James A. Langley**, 6260 Nature Dr.,
Montgomery, AL (US) 36117

(**) Term: **14 Years**

(21) Appl. No.: **29/307,860**

(22) Filed: **May 15, 2008**

(51) **LOC (9) Cl.** **26-02**

(52) **U.S. Cl.** **D26/8**

(58) **Field of Classification Search** D26/6-23;
D9/635, 435, 541, 447, 454; D7/472, 575,
D7/536, 584; D11/160, 96; 431/288-297,
431/125, 126, 343, 320, 350; 362/806-810,
362/161-163

See application file for complete search history.

(56) **References Cited**

U.S. PATENT DOCUMENTS

D456,917 S *	5/2002	Kumar	D26/8
D464,447 S *	10/2002	Yeh	D26/8
D548,371 S *	8/2007	Kleist et al.	D26/8

* cited by examiner

Primary Examiner—T. Chase Nelson
Assistant Examiner—Ania K Dworzecka
(74) *Attorney, Agent, or Firm*—Gable + Gotwals

(57) **CLAIM**

The ornamental design for a football memorabilia outdoor torch, as shown and described.

DESCRIPTION

FIG. 1 is a front elevational view of the football memorabilia outdoor torch showing my new design.

FIG. 2 is a top plan view of my design.

FIG. 3 is a left side elevational view of my design.

FIG. 4 is a right side elevational view of my design.

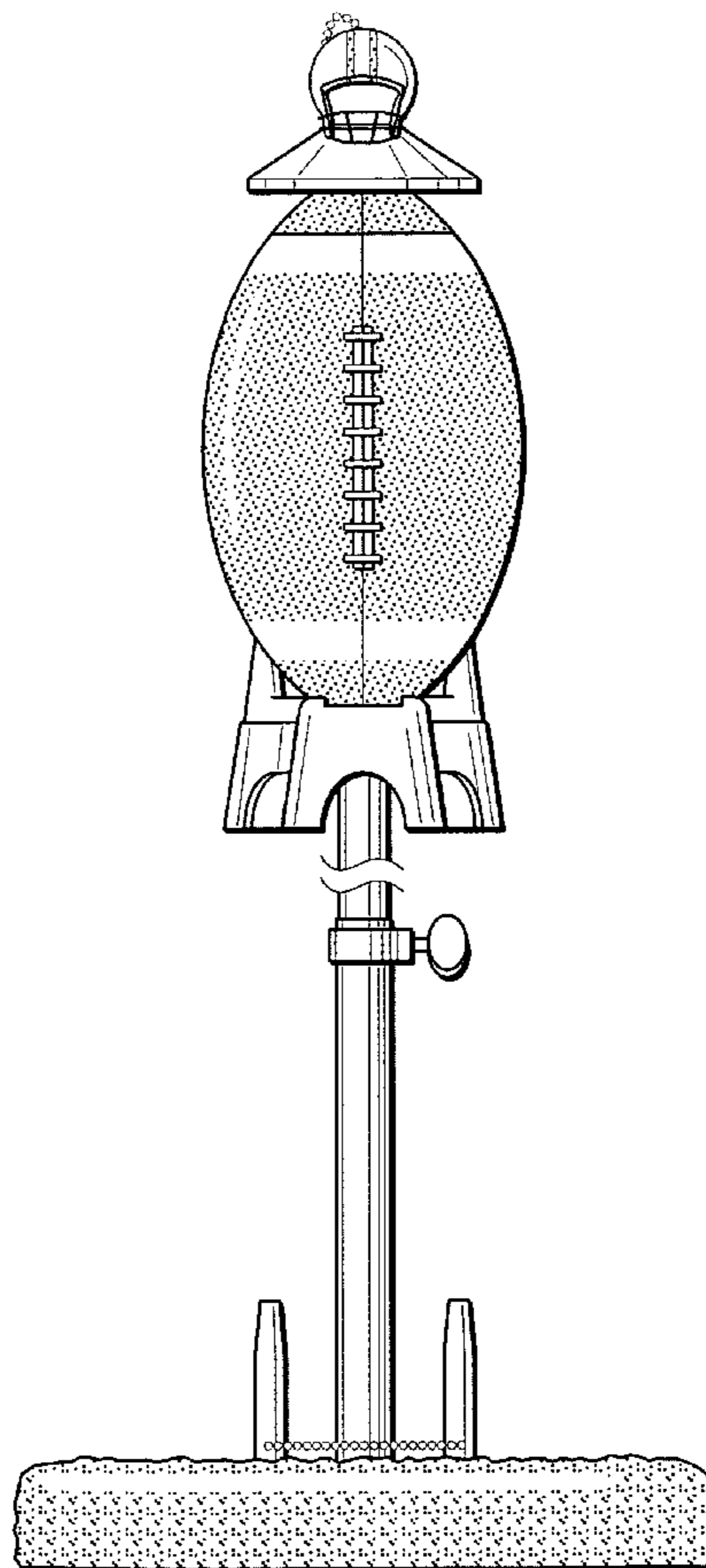
FIG. 5 is a rear elevational view of my design; and,

FIG. 6 is a front elevational view of my design with the cap removed and the torch lighted.

The football torch is shown broken away to indicate it has no particular length.

In the drawings, the broken lines showing the flame in FIG. 6 depict environmental subject matter only and form no part of the claimed design.

1 Claim, 4 Drawing Sheets



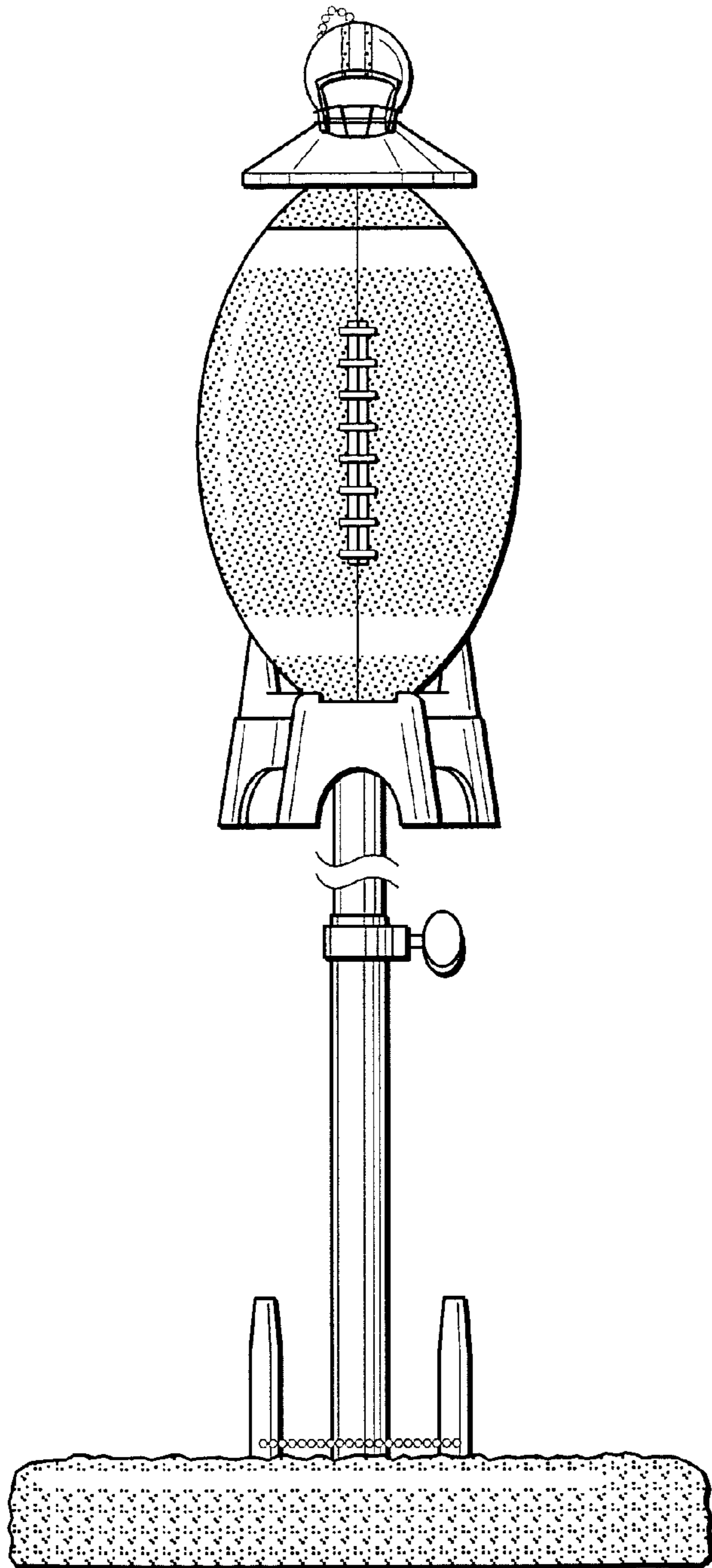


Fig. 1

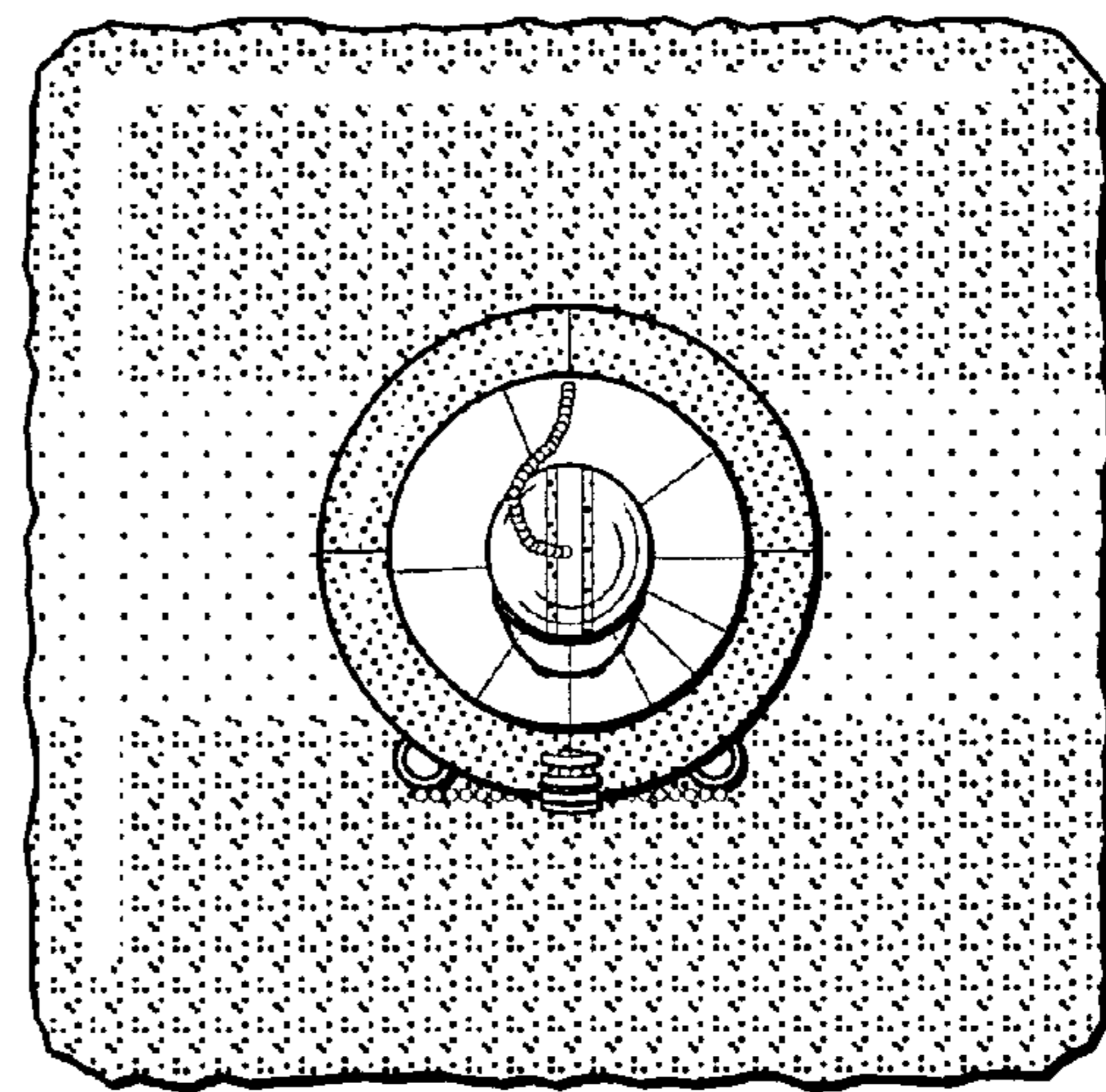
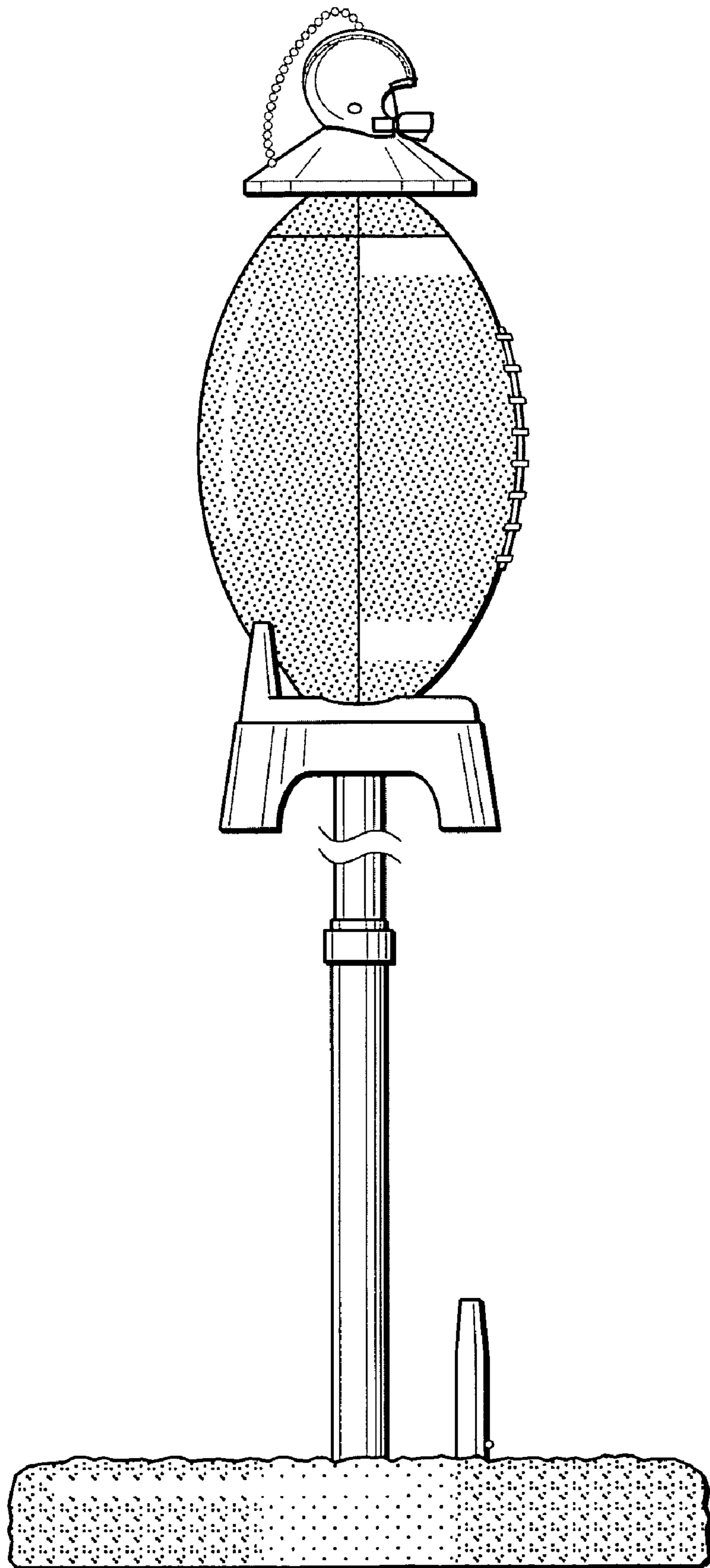


Fig. 2

Fig. 3



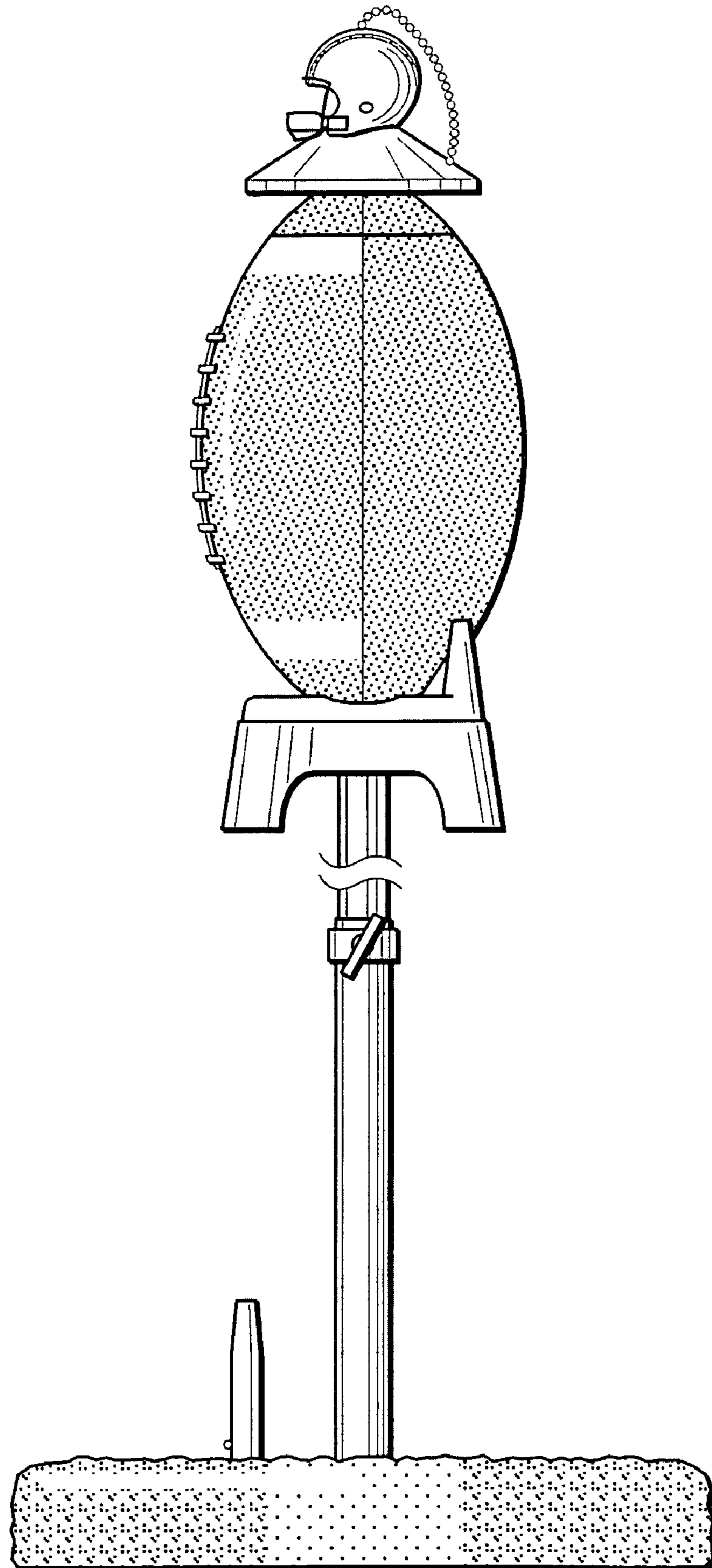


Fig. 4

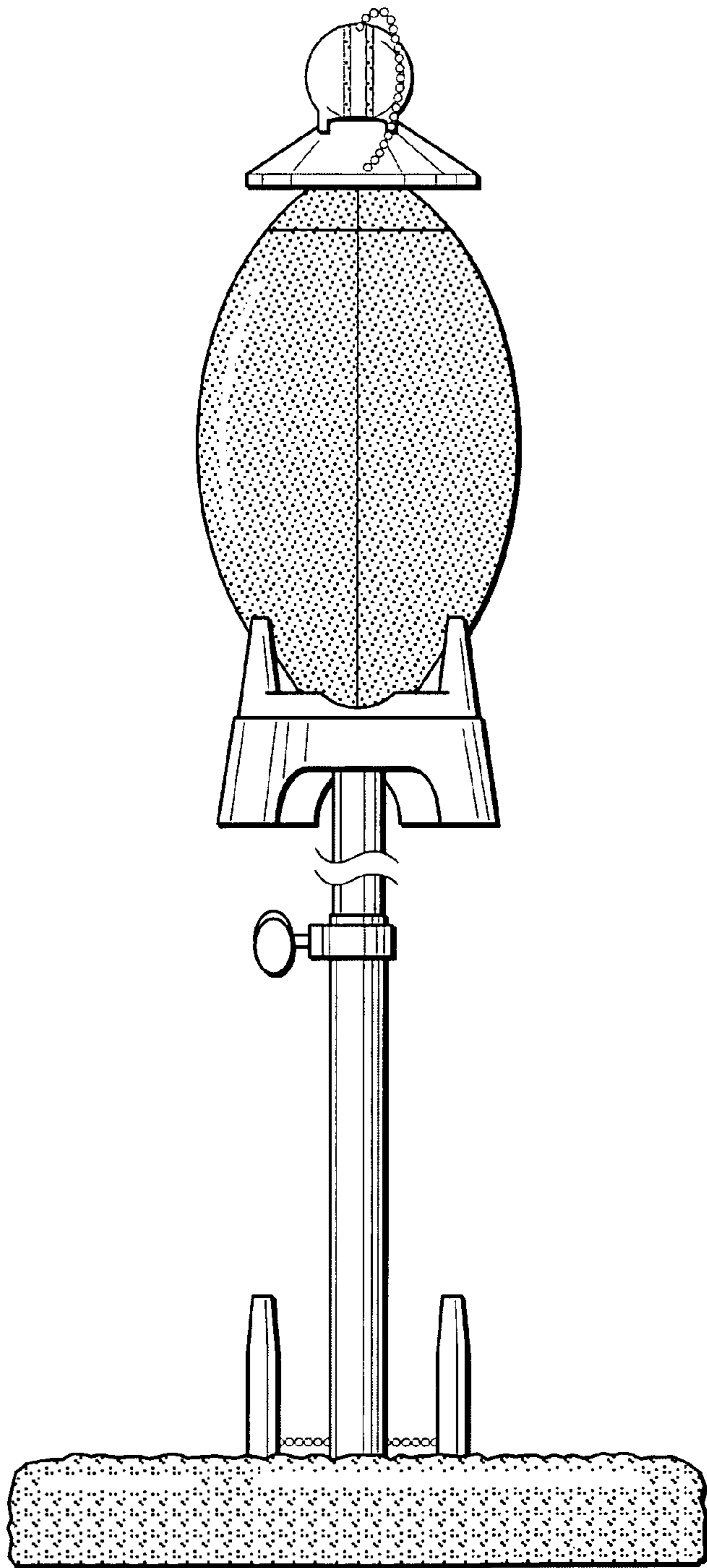


Fig. 5

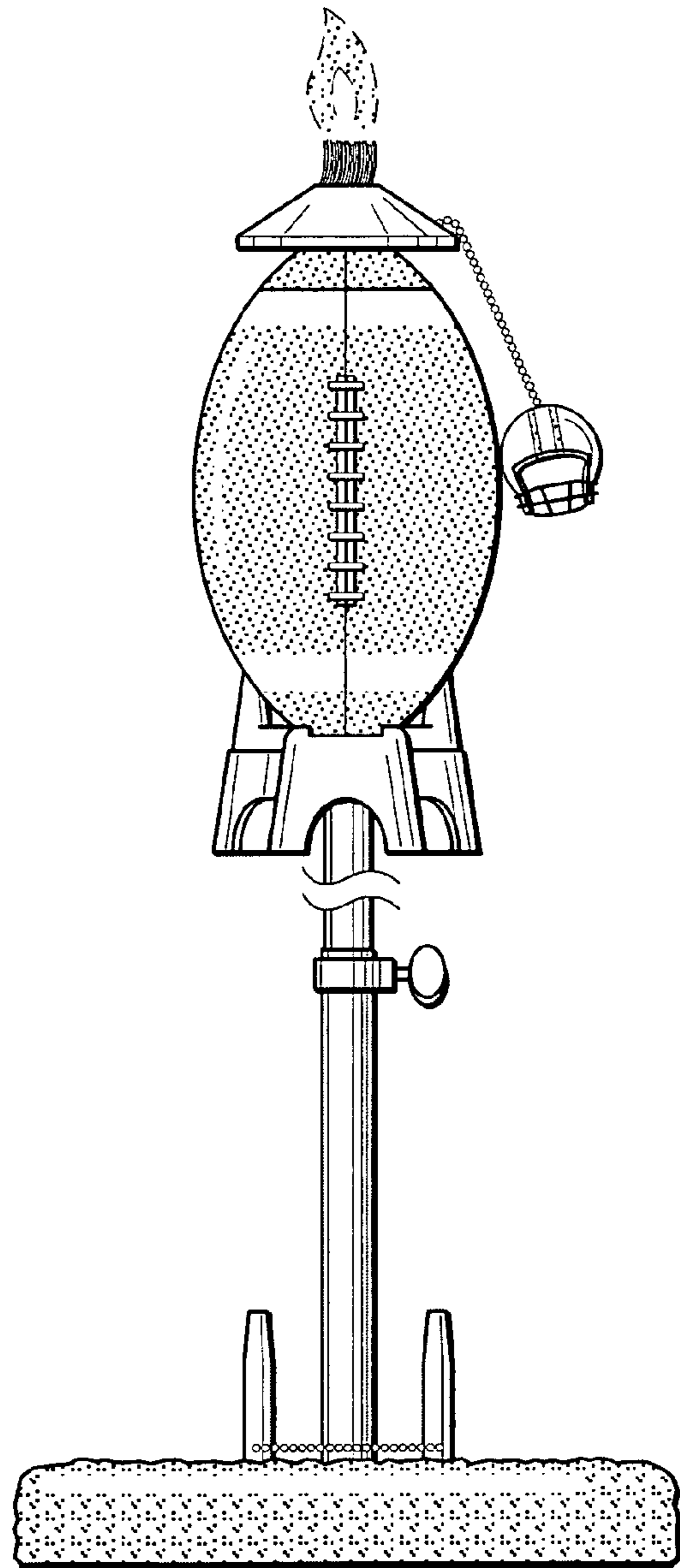


Fig. 6