



US00D589176S

(12) **United States Design Patent**  
**Huang et al.**

(10) **Patent No.:** **US D589,176 S**  
(45) **Date of Patent:** **\*\* Mar. 24, 2009**

(54) **LIGHT EMITTING DIODE-BASED LAMP**

(75) Inventors: **Michelle Huang**, Danvers, MA (US);  
**Junwon Lee**, Peabody, MA (US); **Tom Spehalski**, Emporium, PA (US);  
**Fernando Ulloa**, Danvers, MA (US)

(73) Assignee: **Osram Sylvania, Inc.**

(\*\*) Term: **14 Years**

(21) Appl. No.: **29/326,350**

(22) Filed: **Oct. 16, 2008**

(51) **LOC (9) Cl.** ..... **26-04**

(52) **U.S. Cl.** ..... **D26/4**

(58) **Field of Classification Search** ..... D26/1-4;  
313/313, 315, 317, 318, 493; 315/52, 53,  
315/56, 57, 58

See application file for complete search history.

(56) **References Cited**

**U.S. PATENT DOCUMENTS**

7,021,797 B2 4/2006 Minano et al.  
7,329,029 B2 2/2008 Chaves et al.  
D576,317 S \* 9/2008 Jensen ..... D26/5  
2008/0062703 A1 3/2008 Cao

**OTHER PUBLICATIONS**

Dynasty B10 LED Candelabra Lamp Data Sheet, Cao Group, Inc.,  
May 15, 2008.

Watt-Man LED Decor Lamp B10 White Finish Data Sheet.

\* cited by examiner

*Primary Examiner*—Marcus A. Jackson

(74) *Attorney, Agent, or Firm*—Altera Law Group, LLC

(57) **CLAIM**

The ornamental design for a light emitting diode-based lamp,  
as shown and described.

**DESCRIPTION**

FIG. 1 is a perspective view of the light emitting diode-based  
lamp.

FIG. 2 is a front view thereof.

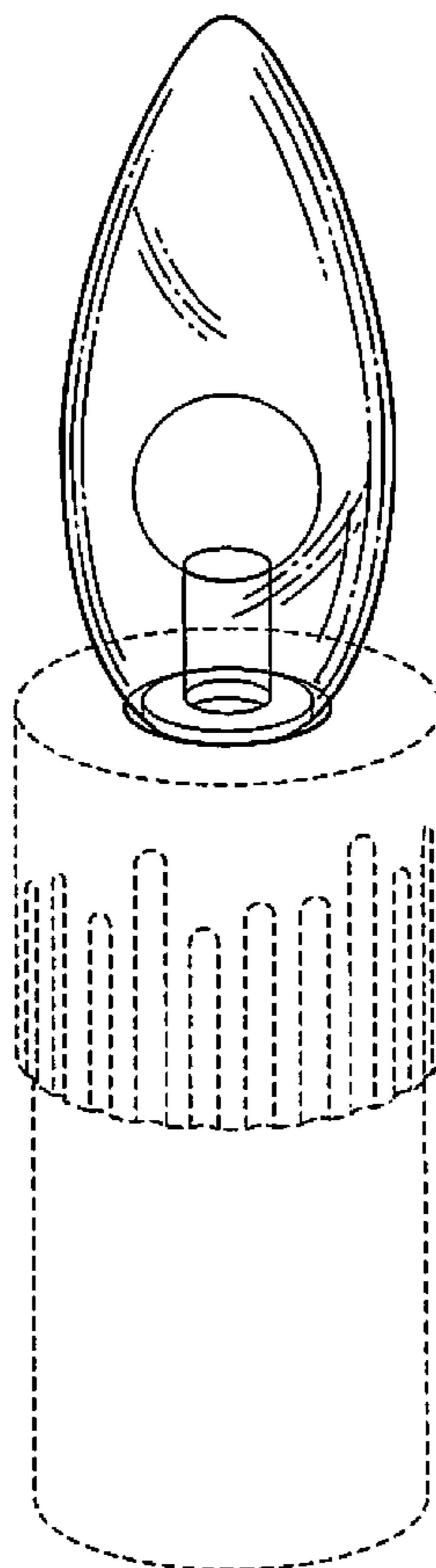
FIG. 3 is a back view thereof.

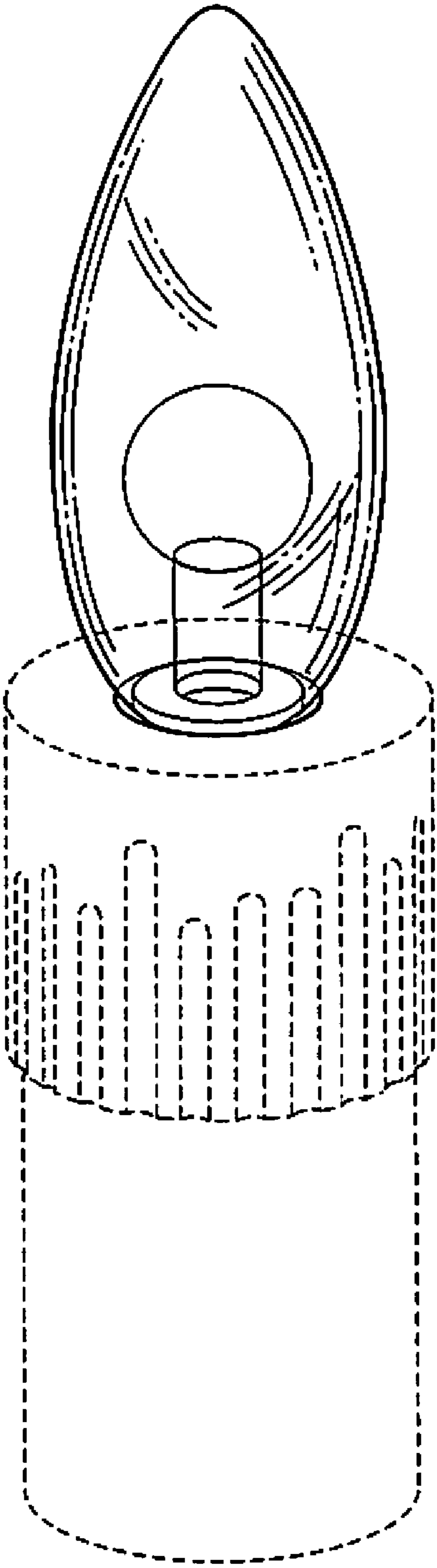
FIG. 4 is a top view thereof; and,

FIG. 5 is a bottom view thereof.

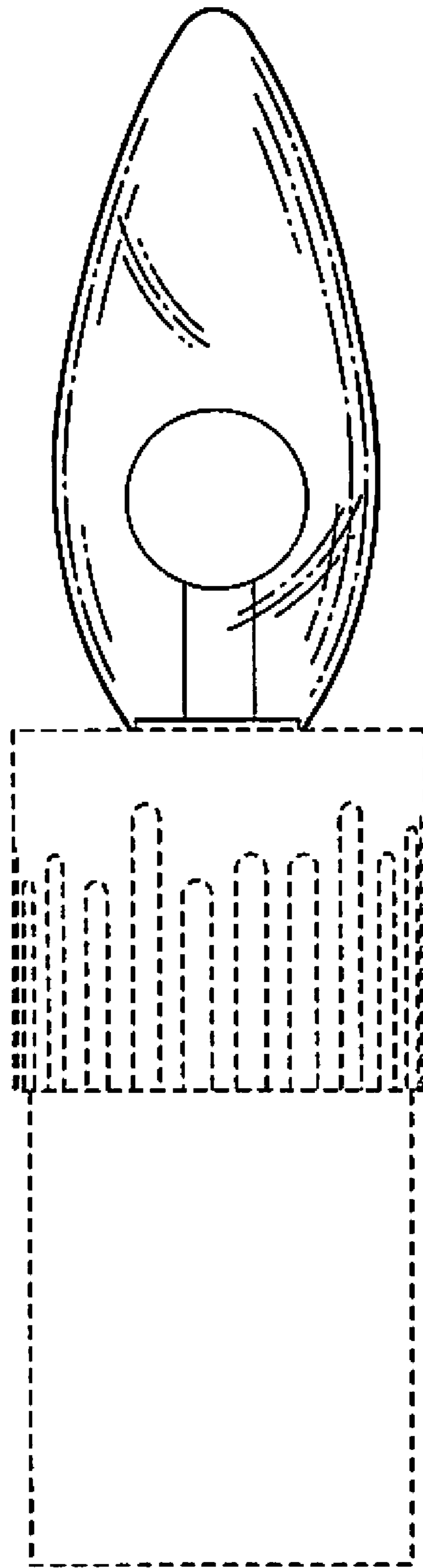
The broken line showing of the base portion is included for  
the purpose of illustrating the base portion and forms no part  
of the claimed design.

**1 Claim, 4 Drawing Sheets**

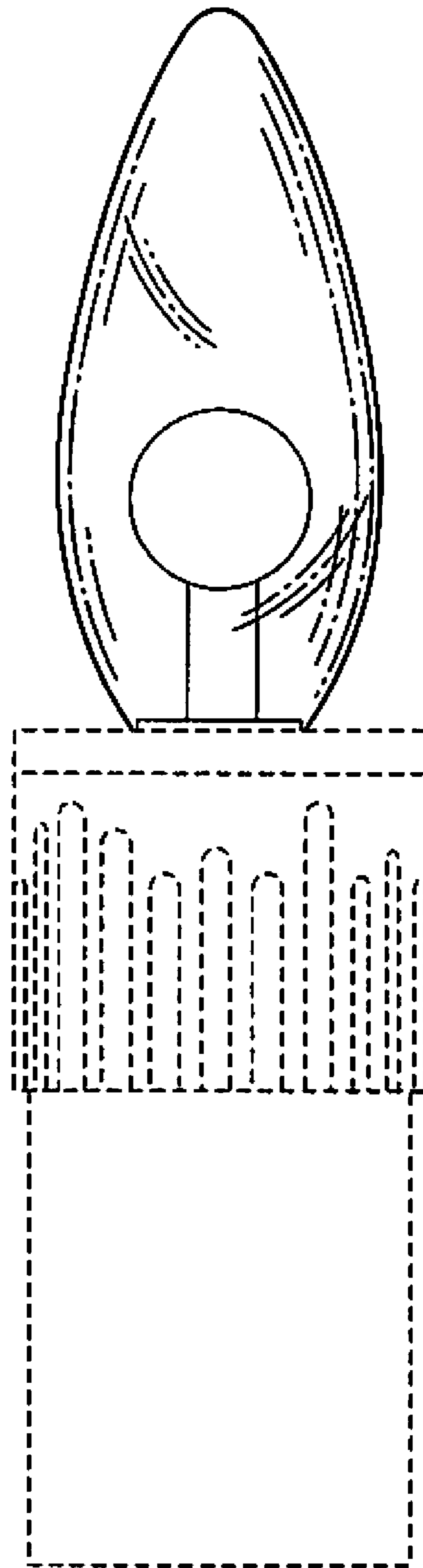




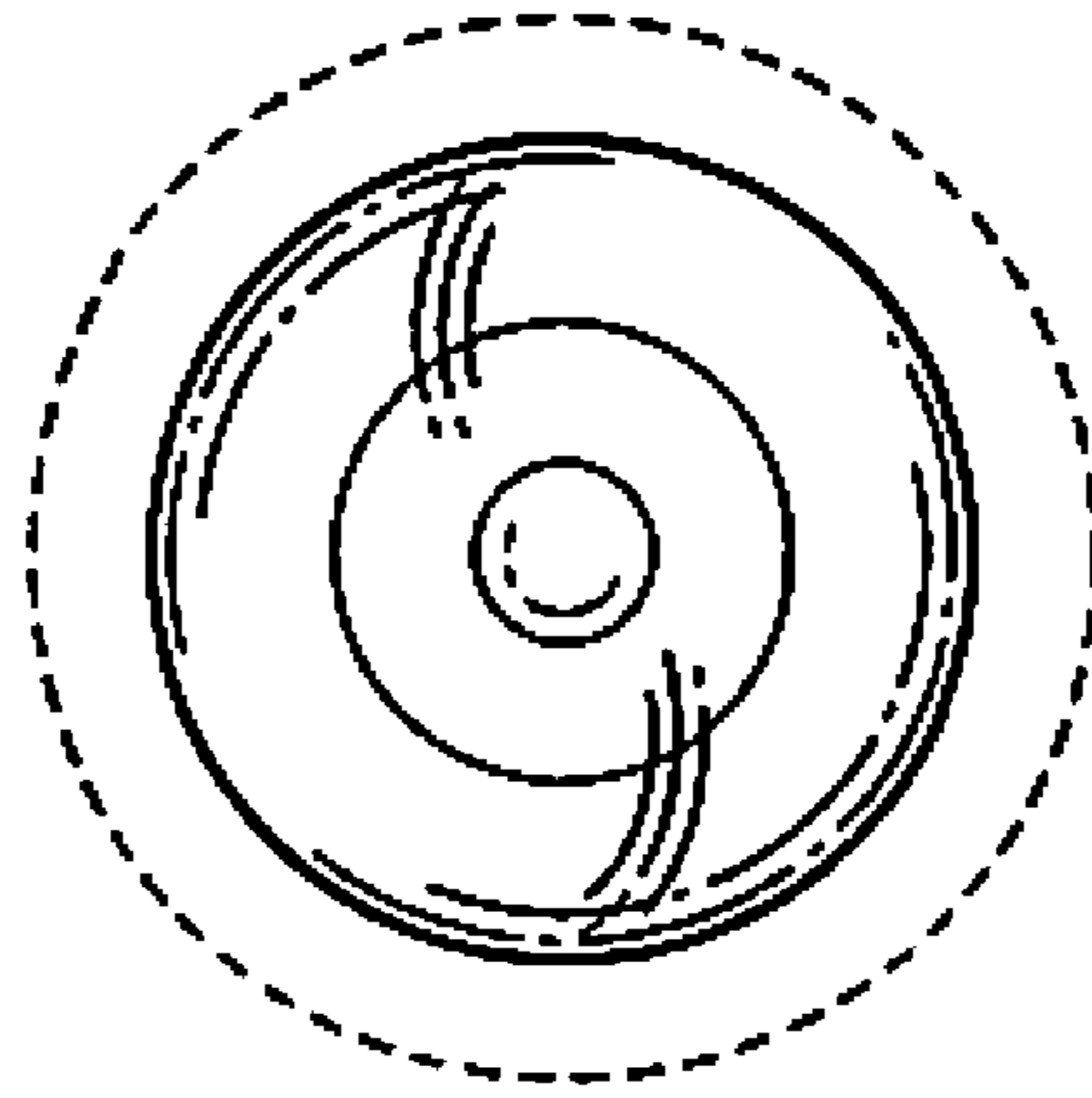
**Fig. 1**



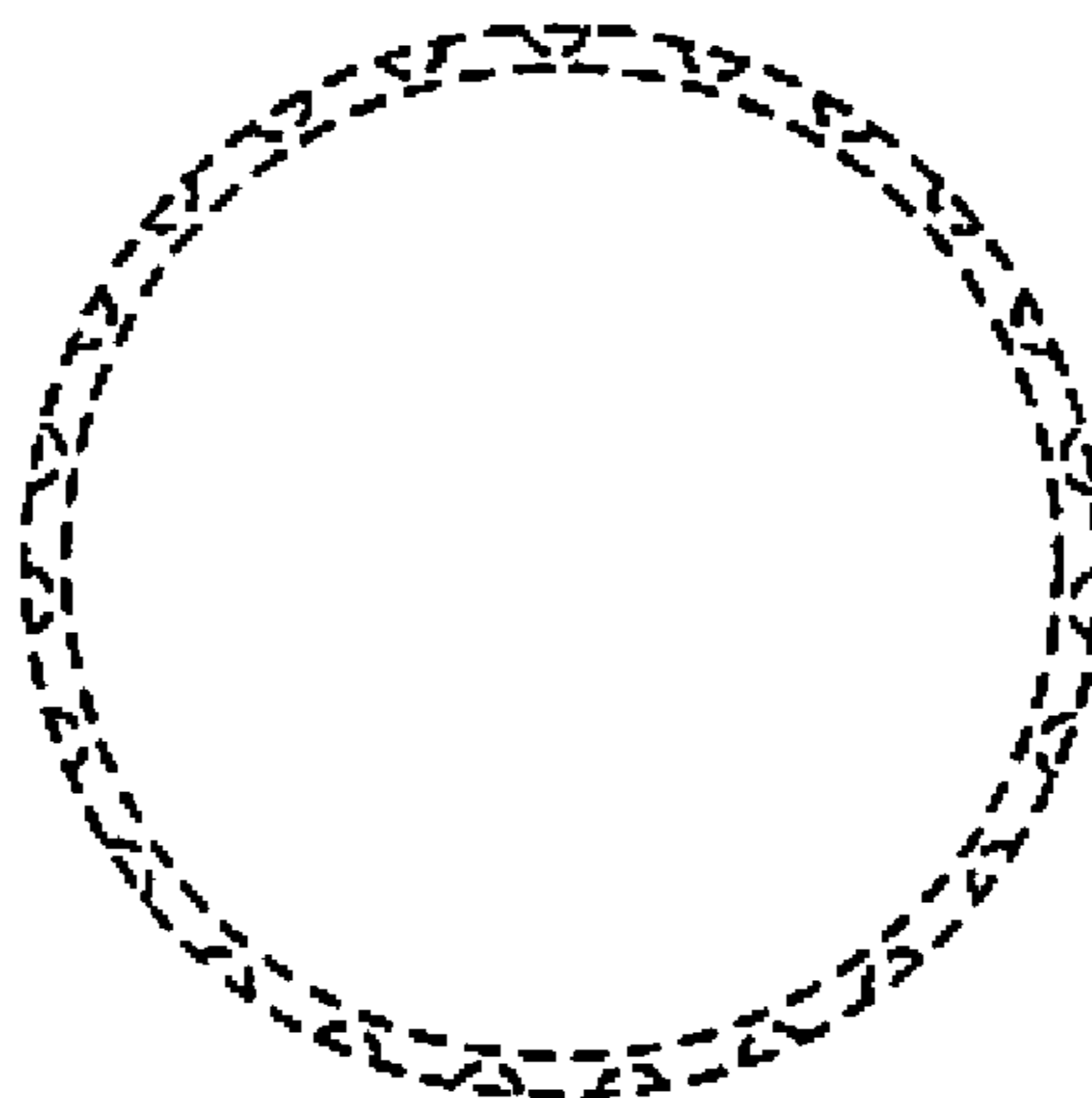
**Fig. 2**



**Fig. 3**



**Fig. 4**



**Fig. 5**