



US00D589170S

(12) **United States Design Patent**
Wickland

(10) **Patent No.:** **US D589,170 S**
(45) **Date of Patent:** **** Mar. 24, 2009**

(54) **WINDOW COMPONENT EXTRUSION**

D538,447 S * 3/2007 Fannan D25/124
D558,362 S * 12/2007 Fannan D25/124

(75) Inventor: **Timothy Todd Wickland**, Auburn, WA
(US)

(73) Assignee: **Mikron Industries, Inc.**, Kent, WA (US)

* cited by examiner

(**) Term: **14 Years**

Primary Examiner—Doris Clark
(74) *Attorney, Agent, or Firm*—David C. Gadd

(21) Appl. No.: **29/291,234**

(22) Filed: **Aug. 20, 2007**

(51) **LOC (9) Cl.** **25-01**

(52) **U.S. Cl.** **D25/124**

(58) **Field of Classification Search** D25/121,
D25/122, 124, 125; 52/204.59, 204.1, 204.2,
52/204.5, 204.51, 656.5, 656.6, 213, 215,
52/208, 293.3, 204.97, 204.595, 204.71,
52/730.3, 656.2; 49/209, 501, 504, DIG. 2
See application file for complete search history.

(57) **CLAIM**

The ornamental design for a window component extrusion, as shown and described.

DESCRIPTION

FIG. 1 is a top right perspective view of the window component extrusion which is broken in the center indicating indefinite length; and,

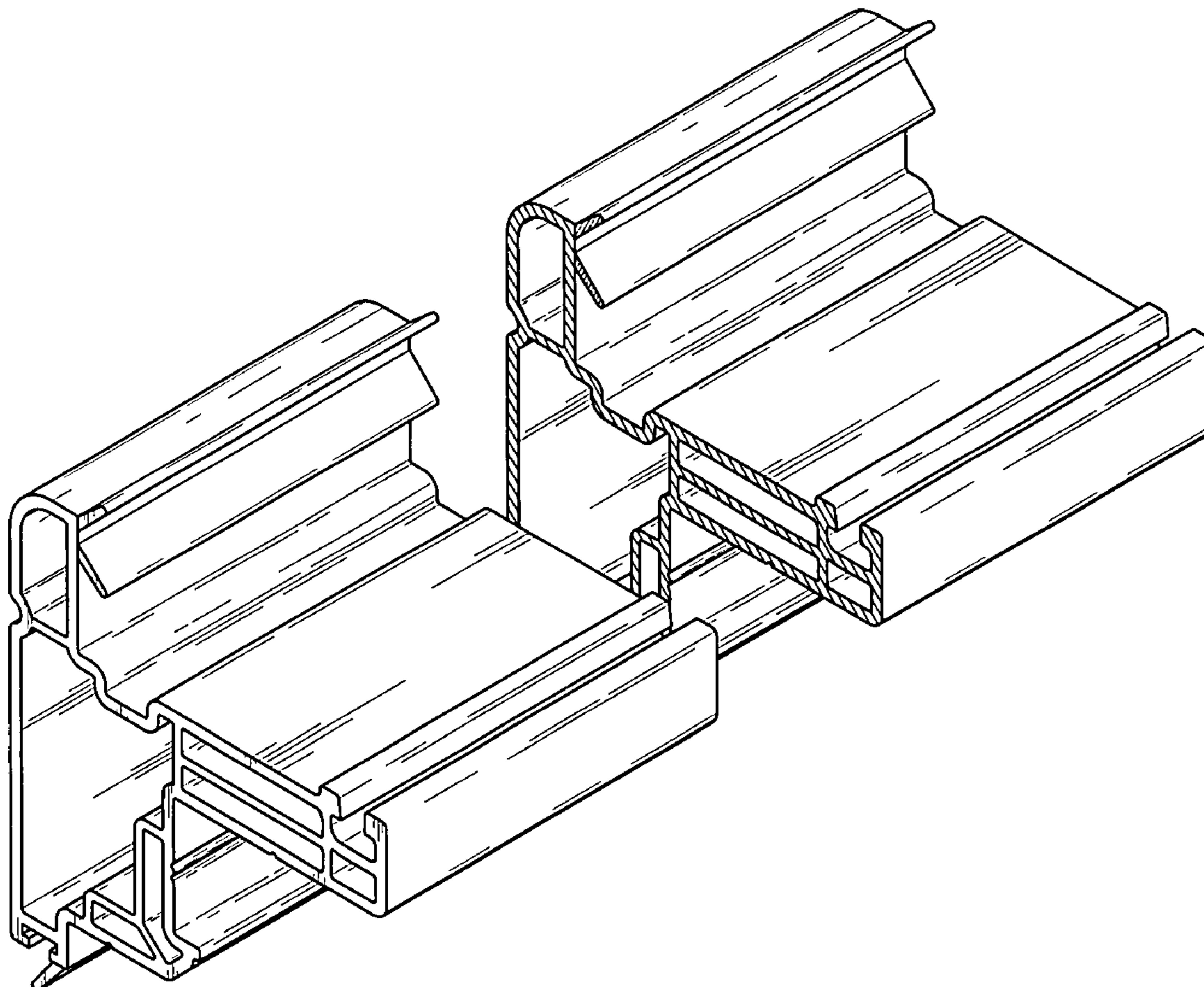
FIG. 2 is a bottom left perspective view of the window component extrusion shown in FIG. 1.

(56) **References Cited**

U.S. PATENT DOCUMENTS

D461,569 S * 8/2002 Ballard et al. D25/124

1 Claim, 1 Drawing Sheet



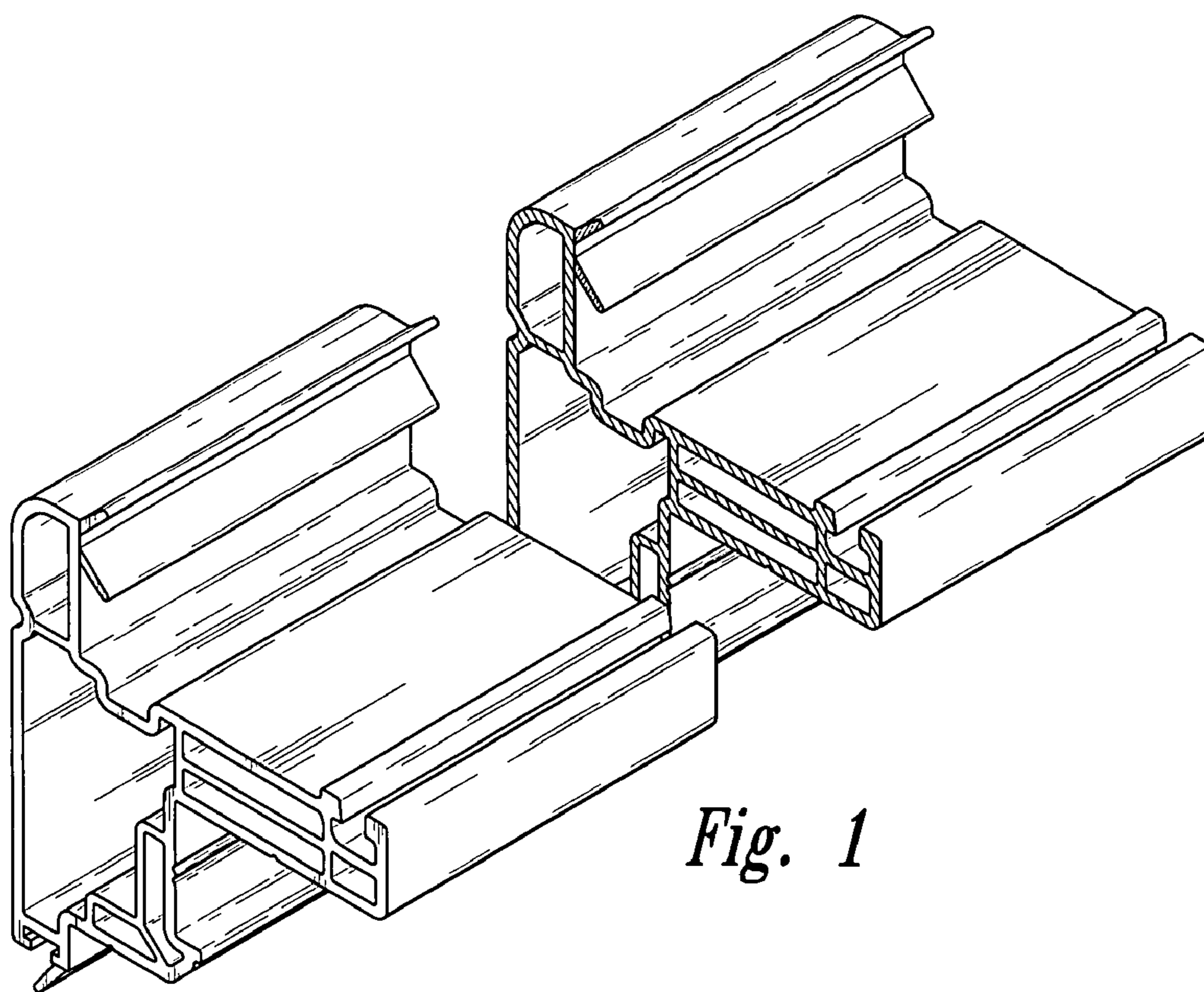


Fig. 1

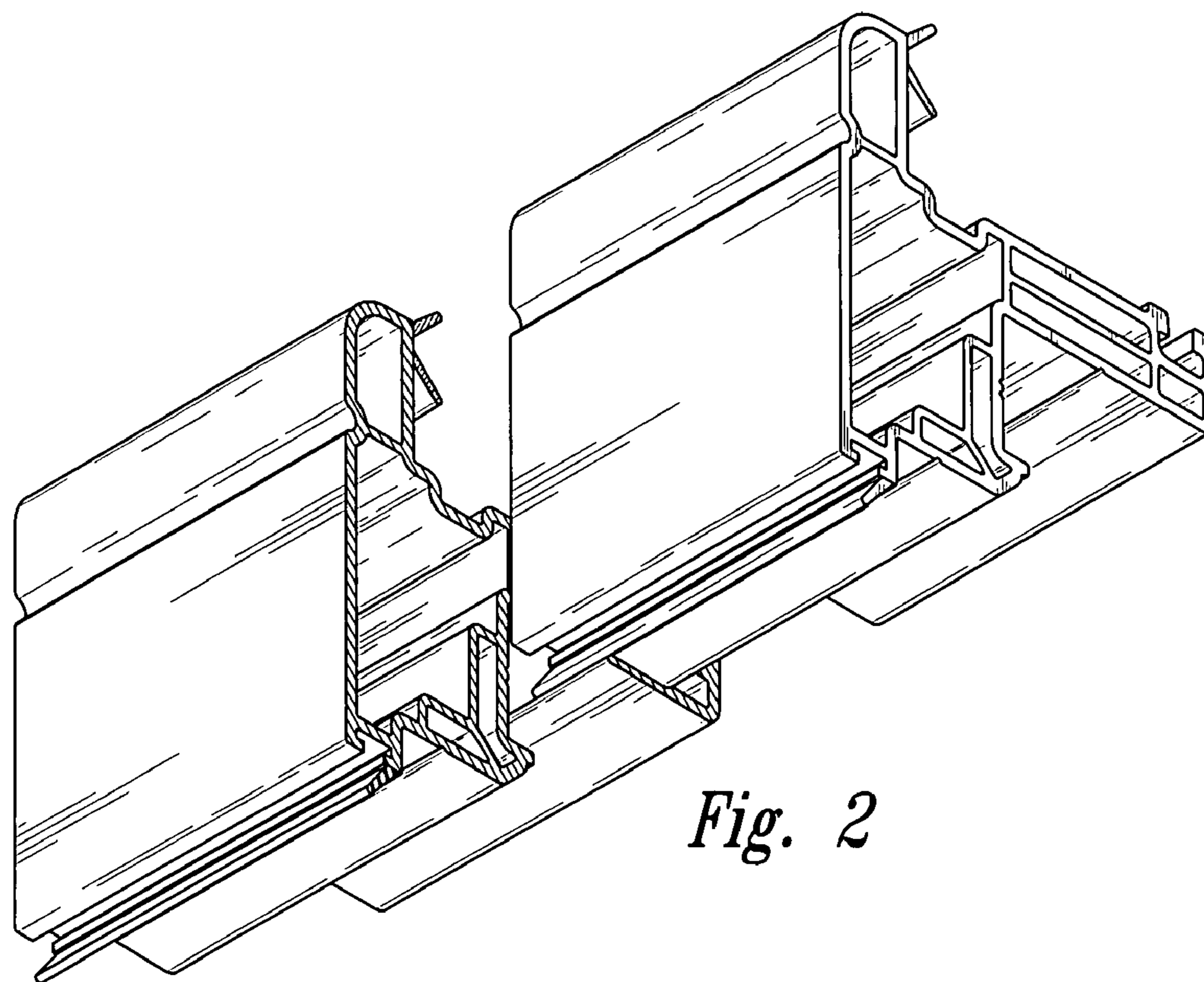


Fig. 2