



US00D589157S

(12) **United States Design Patent**
Speth

(10) **Patent No.:** **US D589,157 S**
(45) **Date of Patent:** **** Mar. 24, 2009**

(54) **HOOD FOR USE WITH A RADIOISOTOPE GENERATOR**

(75) Inventor: **Andrew D. Speth**, St. Louis, MO (US)

(73) Assignee: **Mallinckrodt Inc.**, Hazelwood, MO (US)

(**) Term: **14 Years**

(21) Appl. No.: **29/306,411**

(22) Filed: **Apr. 9, 2008**

(51) **LOC (9) Cl.** **24-01**

(52) **U.S. Cl.** **D24/231; D10/103**

(58) **Field of Classification Search** **D10/46,**
D10/81, 103; D24/231-234; 424/50, 99,
424/102

See application file for complete search history.

(56) **References Cited**

U.S. PATENT DOCUMENTS

D402,765 S * 12/1998 Smith et al. D24/231

* cited by examiner

Primary Examiner—Antoine D Davis

(74) *Attorney, Agent, or Firm*—Armstrong Teasdale LLP

(57) **CLAIM**

The ornamental design for the hood for use with a radioisotope generator, as shown and described.

DESCRIPTION

FIG. 1 is a perspective view of a hood for use with a radioisotope generator;

FIG. 2 is a front elevation view of the hood of FIG. 1, the rear, left side, and right side elevation views forming no part of the invention;

FIG. 3 is a top plan view of the hood of FIGS. 1 and 2, the bottom plan view forming no part of the invention;

FIG. 4 is a perspective view of another embodiment of a hood for use with a radioisotope generator;

FIG. 5 is a front elevation view of the hood of FIG. 4, the rear elevation view forming no part of the invention;

FIG. 6 is a left side elevation view of the hood of FIGS. 4-5, the right side elevation view being a mirror image thereof; and,

FIG. 7 is a top plan view of the hood of FIGS. 4-6, the bottom plan view forming no part of the invention.

The broken lines shown in the figures indicate structure and features which form no part of the claimed design.

1 Claim, 7 Drawing Sheets

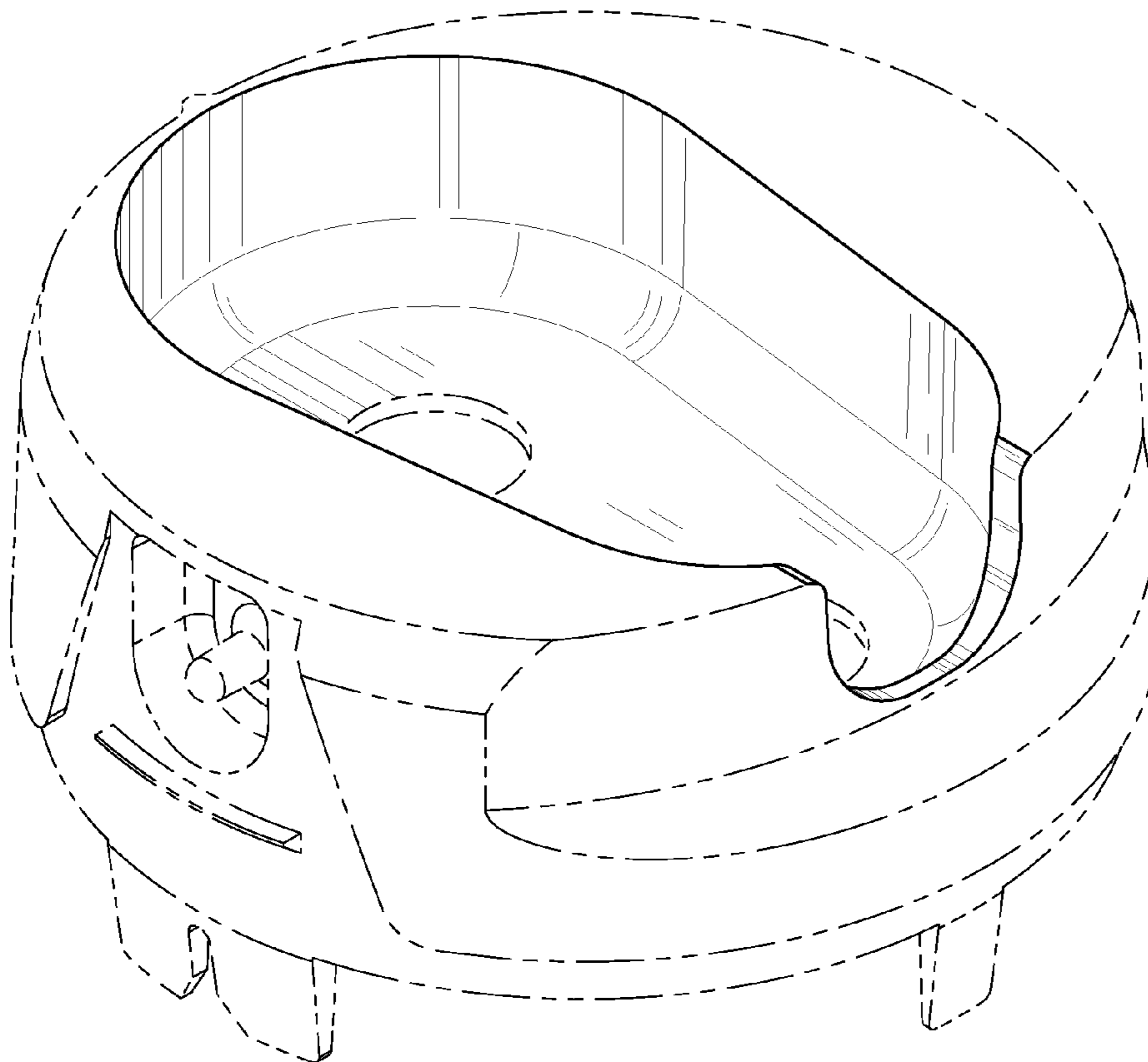


FIG. 1

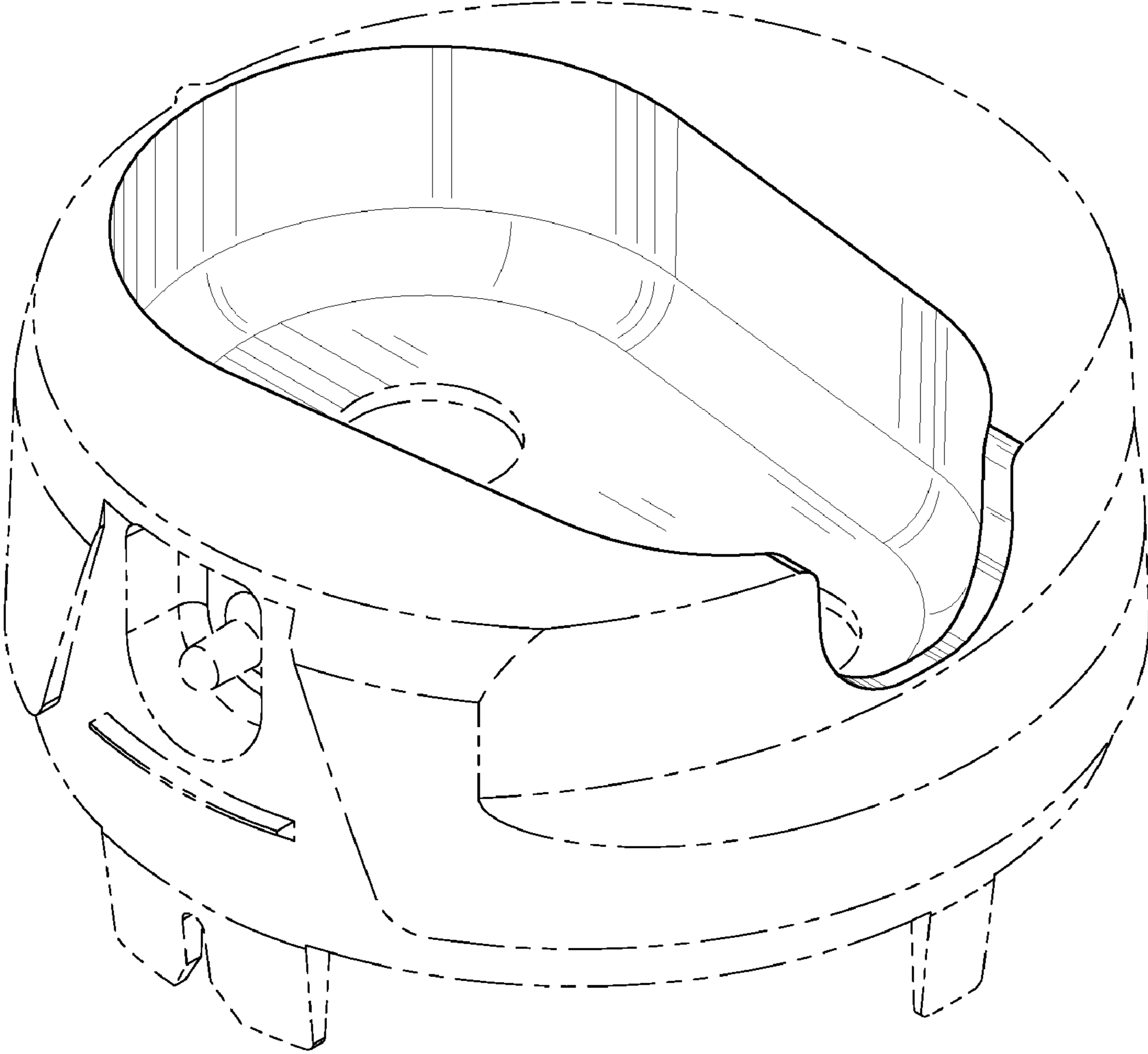


FIG. 2

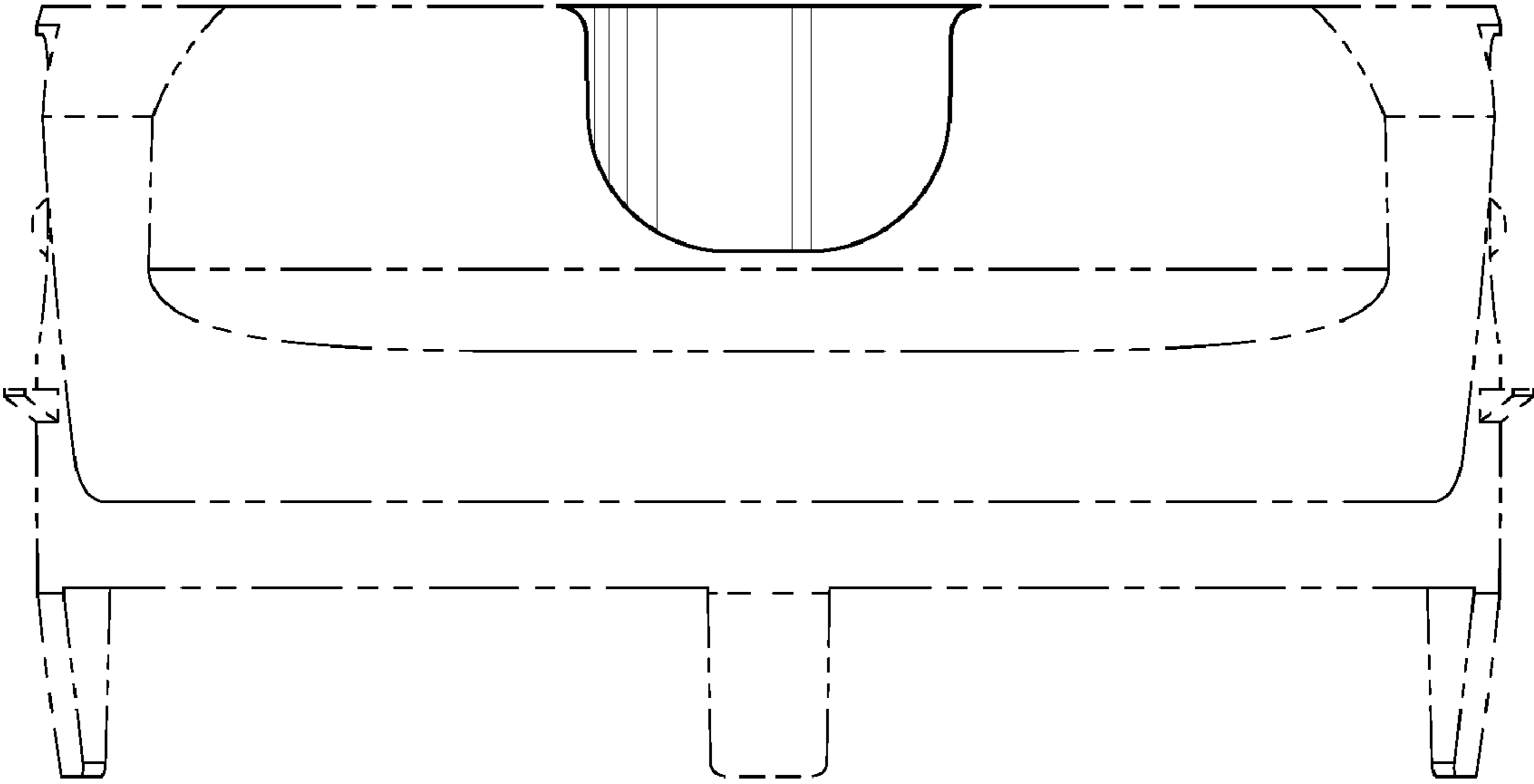


FIG. 3

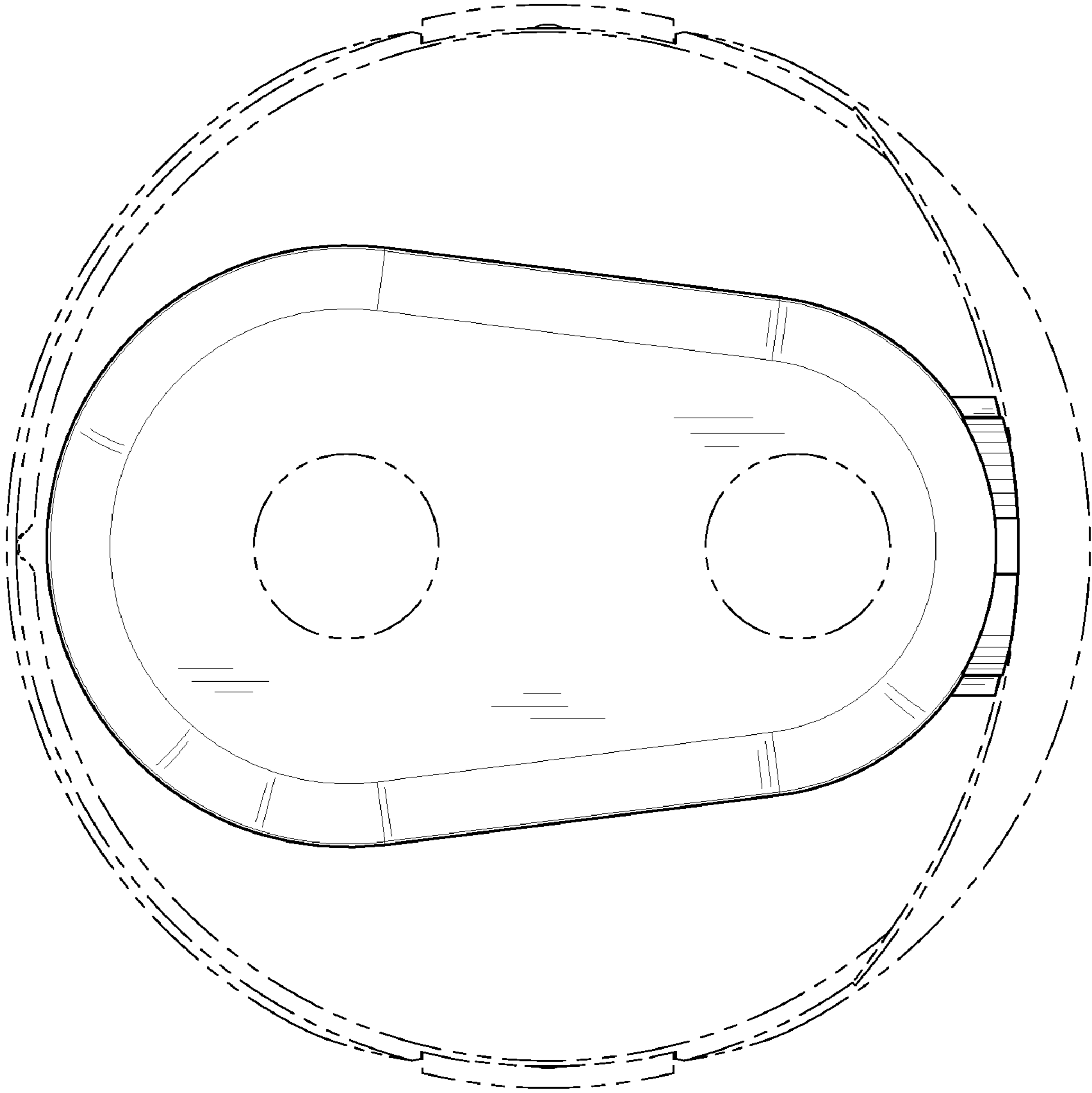


FIG. 4

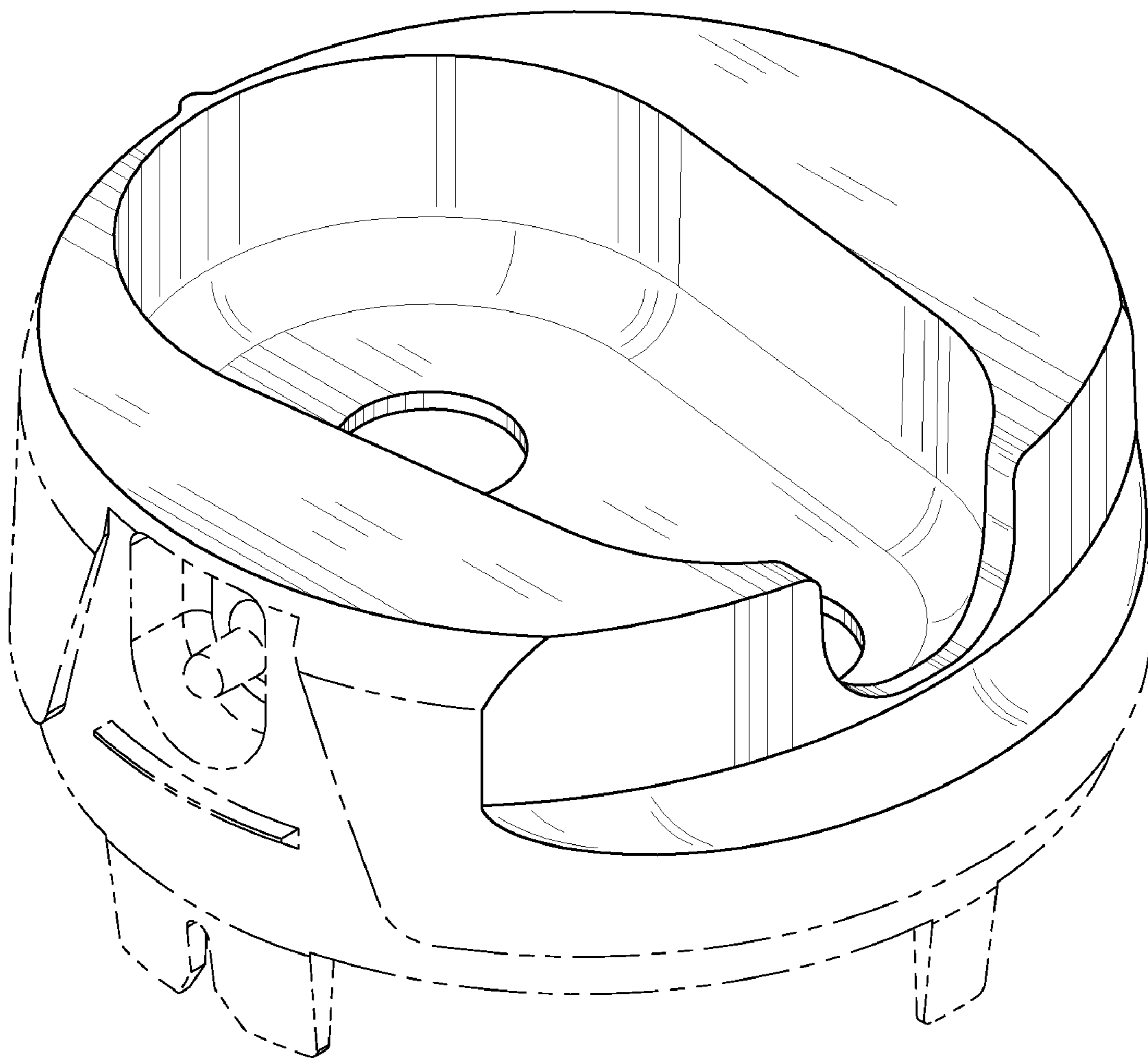


FIG. 5

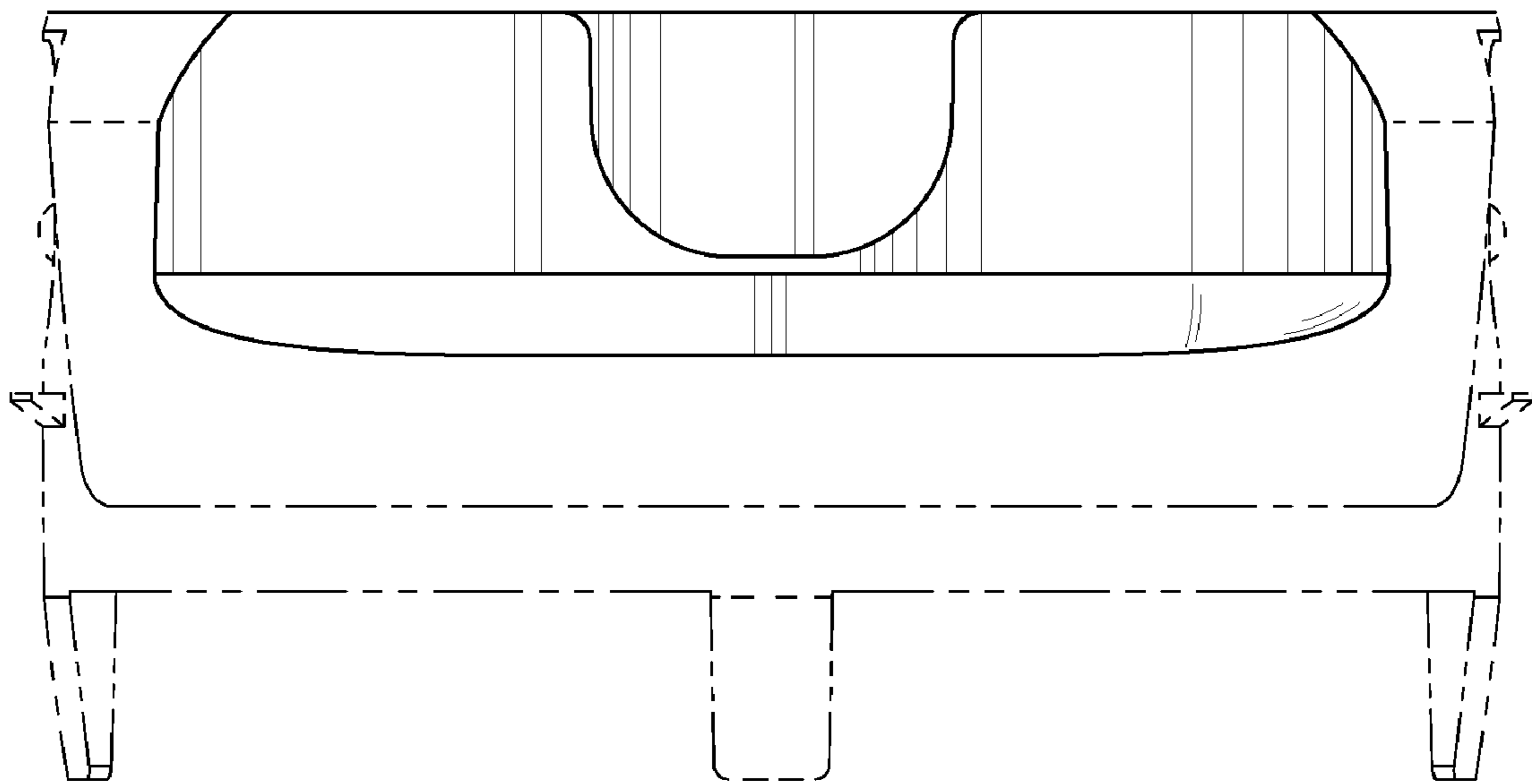


FIG. 6

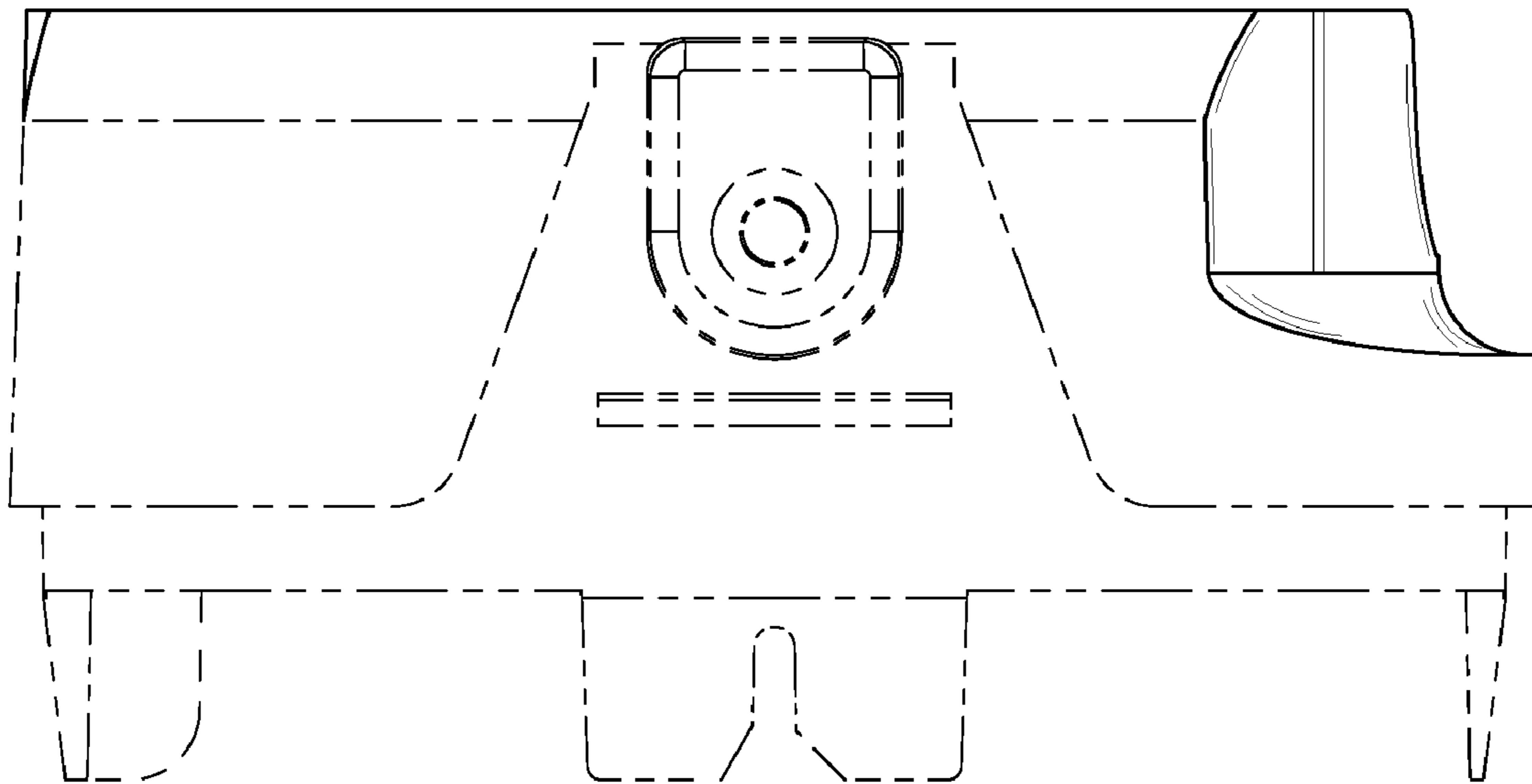


FIG. 7

