

US00D589155S

(12) **United States Design Patent**
Galati, Jr. et al.

(10) **Patent No.:** **US D589,155 S**
(45) **Date of Patent:** **** Mar. 24, 2009**

(54) **FOOT SPA BOWL**
(75) Inventors: **Joseph J. Galati, Jr.**, Brookfield, WI
(US); **John Meyerovich**, Bal Harbour,
FL (US)
(73) Assignee: **Continuum Footspas, LLC**, Brookfield,
WI (US)
(**) Term: **14 Years**

D541,060 S 4/2007 Fugate et al.
D548,987 S 8/2007 McNae
D559,570 S 1/2008 Higgs et al.
D568,485 S * 5/2008 Ton D28/56
D574,502 S * 8/2008 Ton D24/204
2004/0177438 A1 9/2004 Gruenwald et al.
2004/0244107 A1 12/2004 Waldron
2005/0183198 A1 8/2005 Gruenwald
2007/0226897 A1* 10/2007 Fugate 4/622

(21) Appl. No.: **29/291,294**
(22) Filed: **Aug. 22, 2007**

OTHER PUBLICATIONS

AmeriSpa web pages, printed in 2007, 6 pages (<http://www.amerispa.com/main.html>).

(Continued)

(51) **LOC (9) Cl.** **24-02**
(52) **U.S. Cl.** **D24/213; D24/204**
(58) **Field of Classification Search** D24/200–205,
D24/210–213; 607/44; 4/622, 574.1; 601/154–158,
601/160, 30–32; D28/56, 61
See application file for complete search history.

Primary Examiner—Jennifer Rivard
Assistant Examiner—Melanie Levy
(74) *Attorney, Agent, or Firm*—Ryan Kromholz & Manion,
S.C.

(57) **CLAIM**

The ornamental design for a foot spa bowl, as shown and described.

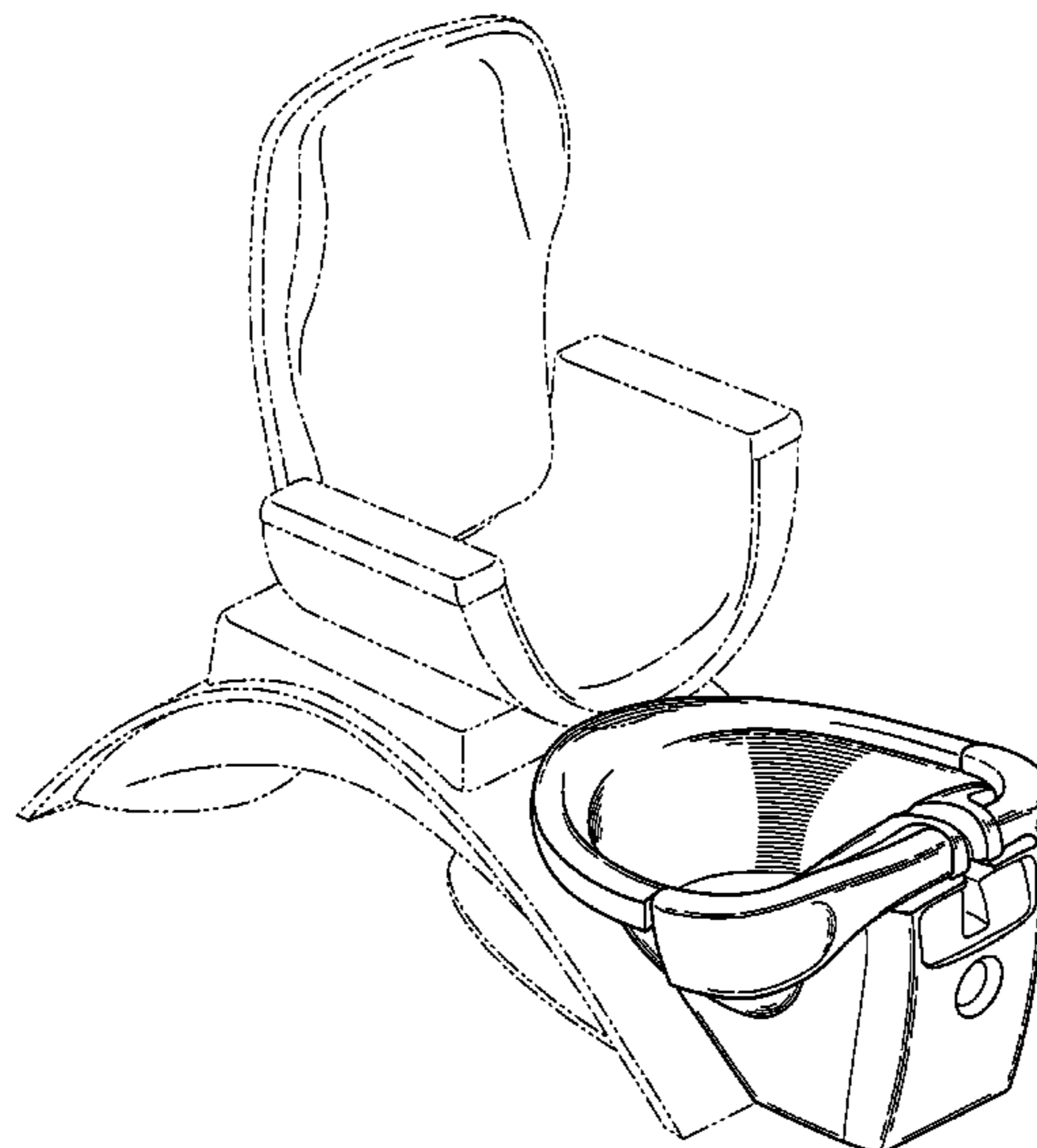
(56) **References Cited**
U.S. PATENT DOCUMENTS

DESCRIPTION

D166,402 S 4/1952 Manne et al.
D227,952 S 7/1973 Costabile et al.
3,881,471 A * 5/1975 Grube 601/158
D282,609 S 2/1986 Stulik
D288,993 S 3/1987 Grimsrud
D346,043 S 4/1994 Galati, Jr. et al.
D391,408 S 3/1998 Lee
D424,819 S 5/2000 Galati, Jr. et al.
D434,916 S 12/2000 Galati, Jr. et al.
D435,371 S 12/2000 Galati, Jr. et al.
6,732,387 B1 5/2004 Waldron
D498,599 S 11/2004 Luong
6,880,182 B2 4/2005 Gruenwald
D508,616 S 8/2005 Ziliani
D509,371 S 9/2005 Natuzzi
D526,505 S 8/2006 Gruenwald et al.
D531,420 S 11/2006 Kita
7,168,107 B2 1/2007 Gruenwald

FIG. 1 is a perspective view of our foot spa bowl;
FIG. 2 is another perspective view with the leg rests in an alternate position;
FIG. 3 is a front elevational view;
FIG. 4 is a rear elevational view;
FIG. 5 is a top plan view;
FIG. 6 is a right side elevational view; and,
FIG. 7 is a left side elevational view.
The broken line showing of a base and seat in FIGS. 1–7 is illustrative of environmental structure only and forms no part of the claimed design.

1 Claim, 5 Drawing Sheets



OTHER PUBLICATIONS

Belvedere Company web pages, printed in 2007, 7 pages (<http://www.belvedere.com/home.aspx>).

European Touch web pages, printed in 2007, 8 pages (<http://europeantouch.com>).

Gulstream Plastics Ltd. web pages, printed in 2007, 7 pages (<http://www.gulstreamplastic.com>).

J&A USA web pages, printed in 2007, 10 pages (<http://www.jausainc.com>).

Lexor Footspas Inc. web pages, printed in 2007, 3 pages (<http://www.lexorinc.com>).

Salon Equipment, Inc. web pages, printed in 2007, 4 pages (<http://www.oasis-se.com/spas/>).

ProSpa Inc., web pages, printed in 2007, 2 pages (<http://www.prospa1.com/>).

Salon Tech, web pages, printed in 2007, 2 pages (<http://www.salontech.com/st2007/>).

Skyline Beauty Supply Corp.—Whale Spa, web pages, printed Mar. 20, 2008, 6 pages (<http://skylinebautysupply.com>).

VNF International, web pages, printed Mar. 20, 2008, 6 pages (<http://www.pssnell-service.com/Manufacturer.htm>).

T4 Spa Concepts & Design, web pages, printed Mar. 20, 2008, 7 pages (<http://www.t4spa.com>).

Spa Zi, Division of LC Corp., web pages, printed Mar. 20, 2008, 4 pages (<http://www.thespazi.com>).

Sanijet—Pipeless Pedicure Equipment, web pages, printed Mar. 20, 2008, 2 pages (http://www.sanijet.com/Products_Pedicure.aspx).

Aqua Spas, web pages, printed Mar. 20, 2008, 3 pages (<http://aquaspa1.com>).

Beauty Mall Ltd., web pages, printed Mar. 20, 2008, 6 pages (<http://beautymallltd.com>).

Euro Spa, web page, printed Mar. 20, 2008, 1 page (<http://www.princesspedicurespas.com/manufacture/eurospa.html#bella320>).

* cited by examiner

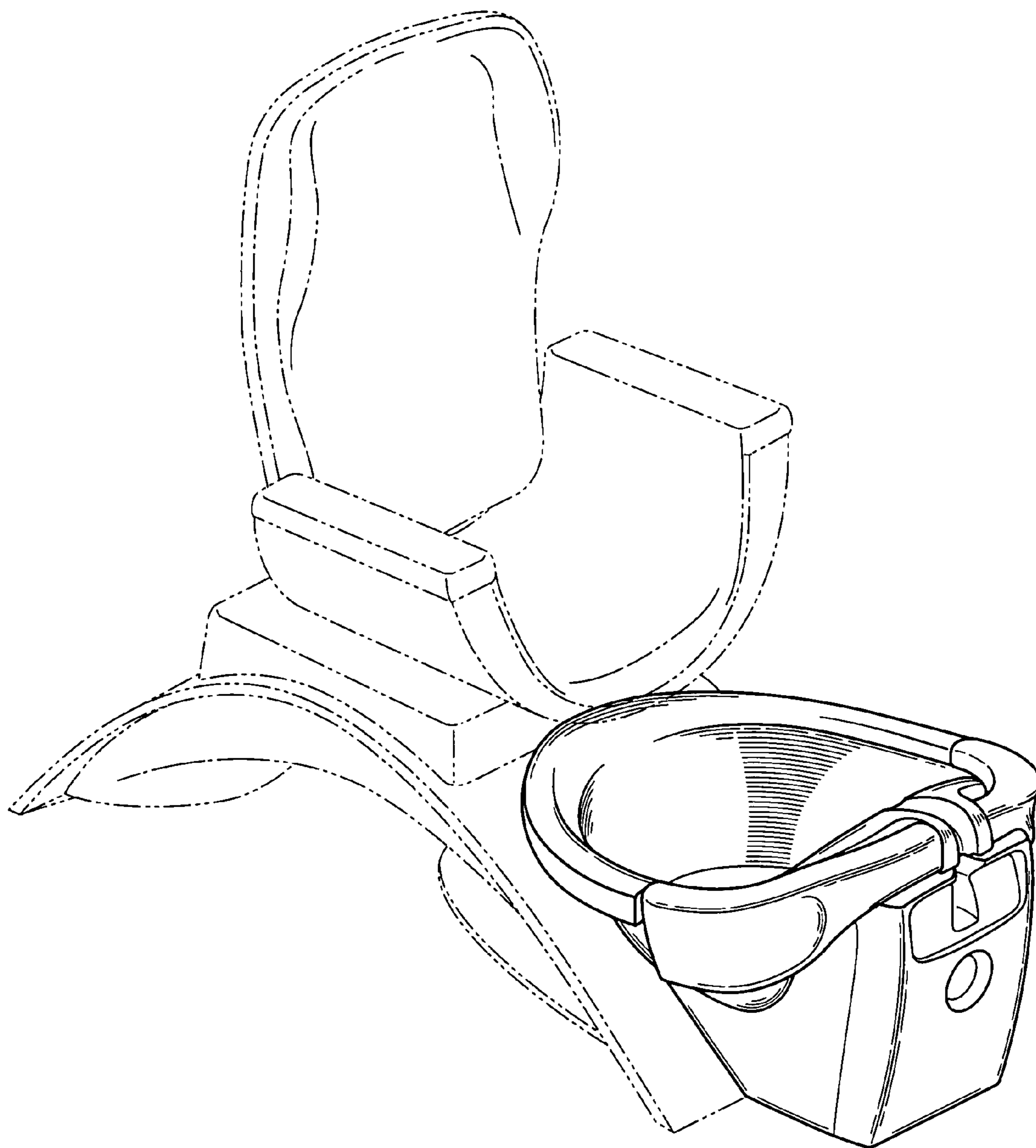


Fig. 1

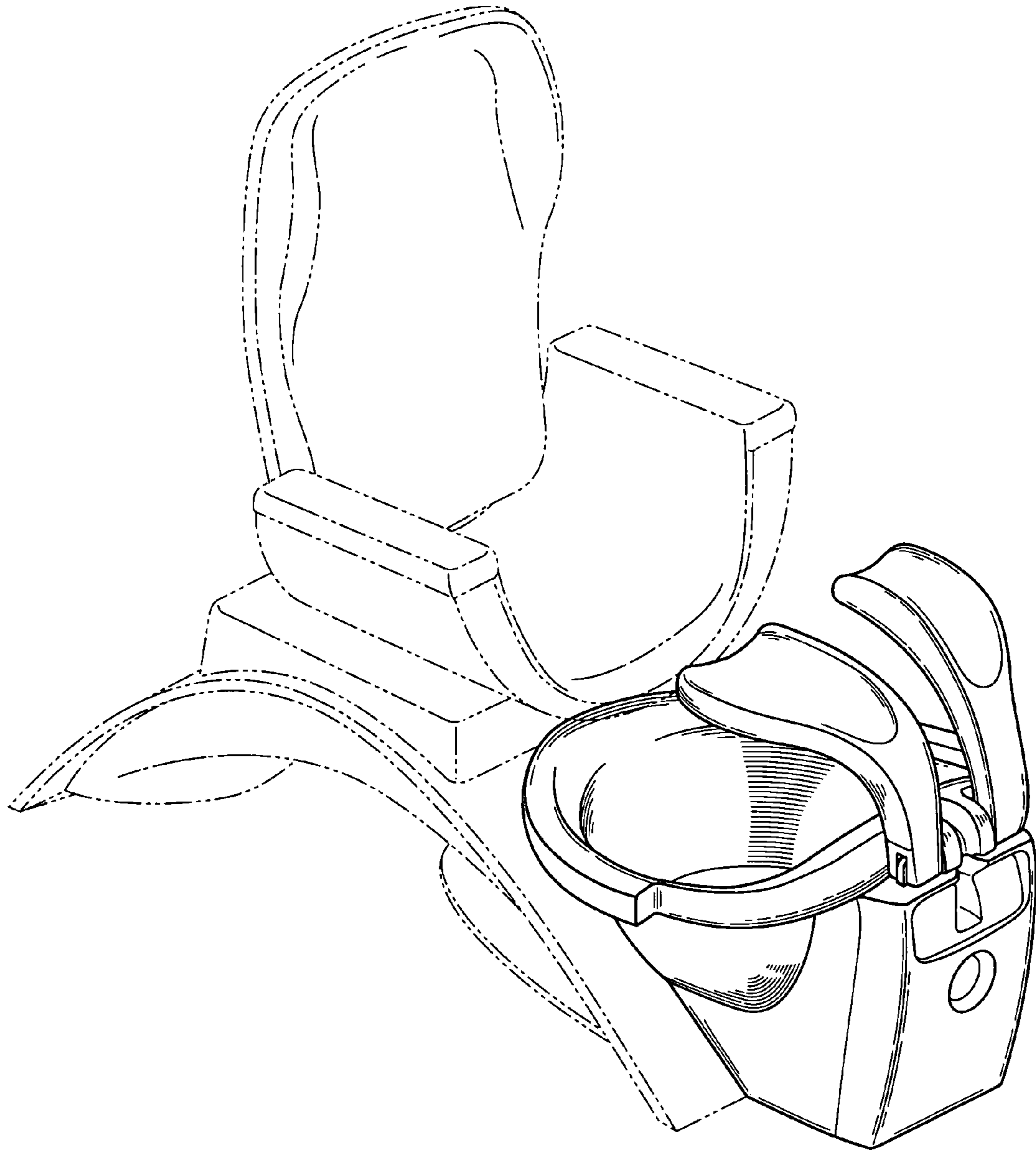


Fig. 2

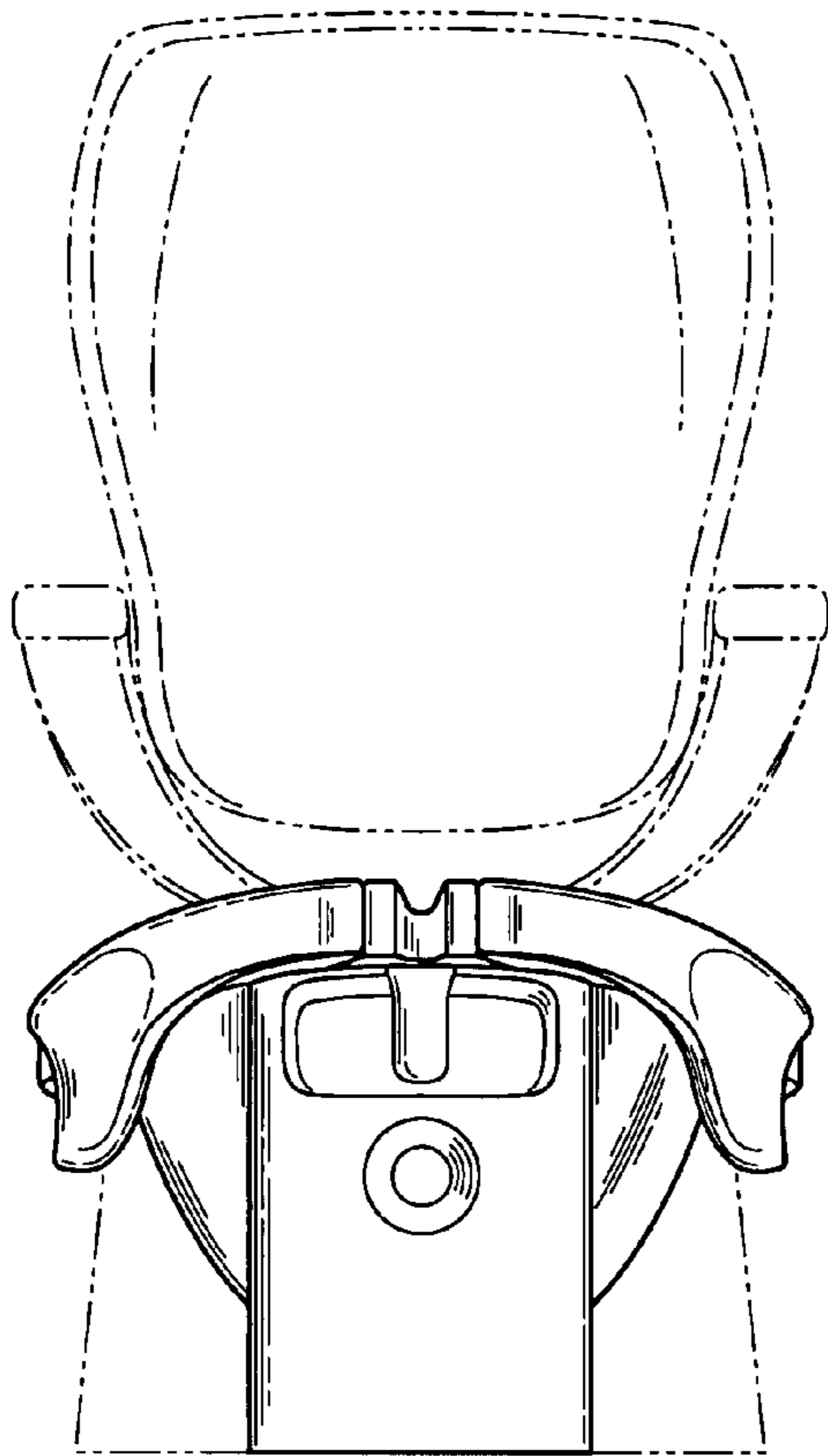


Fig. 3

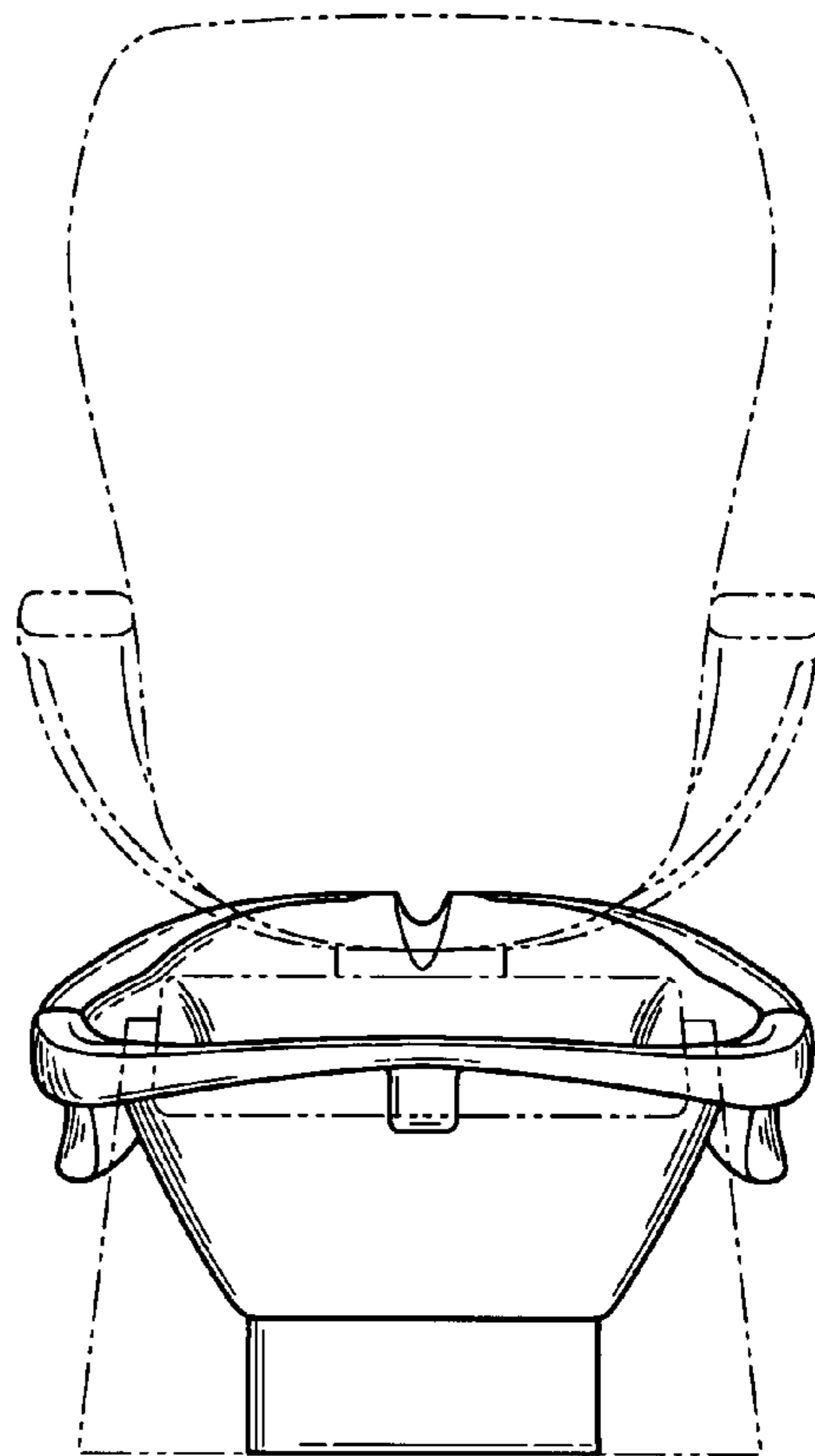


Fig. 4

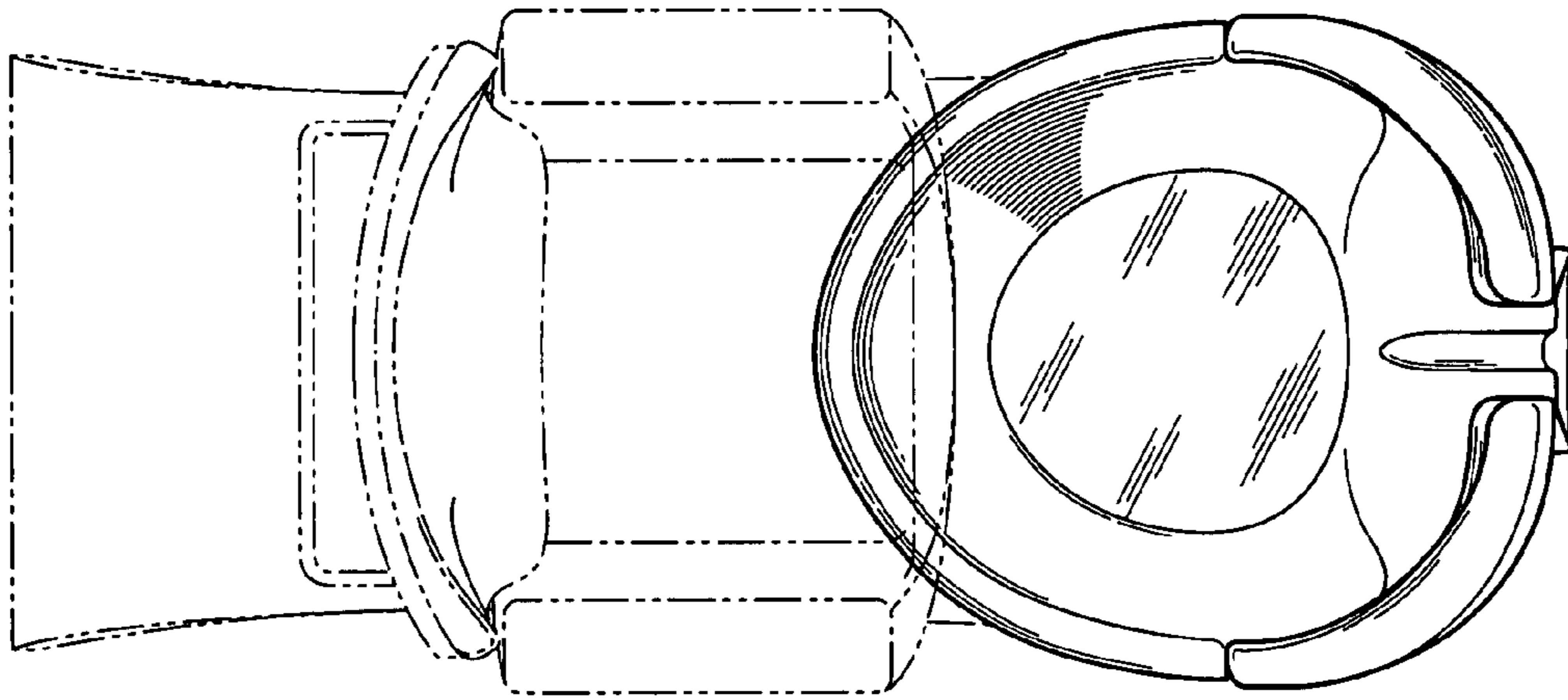


Fig. 5

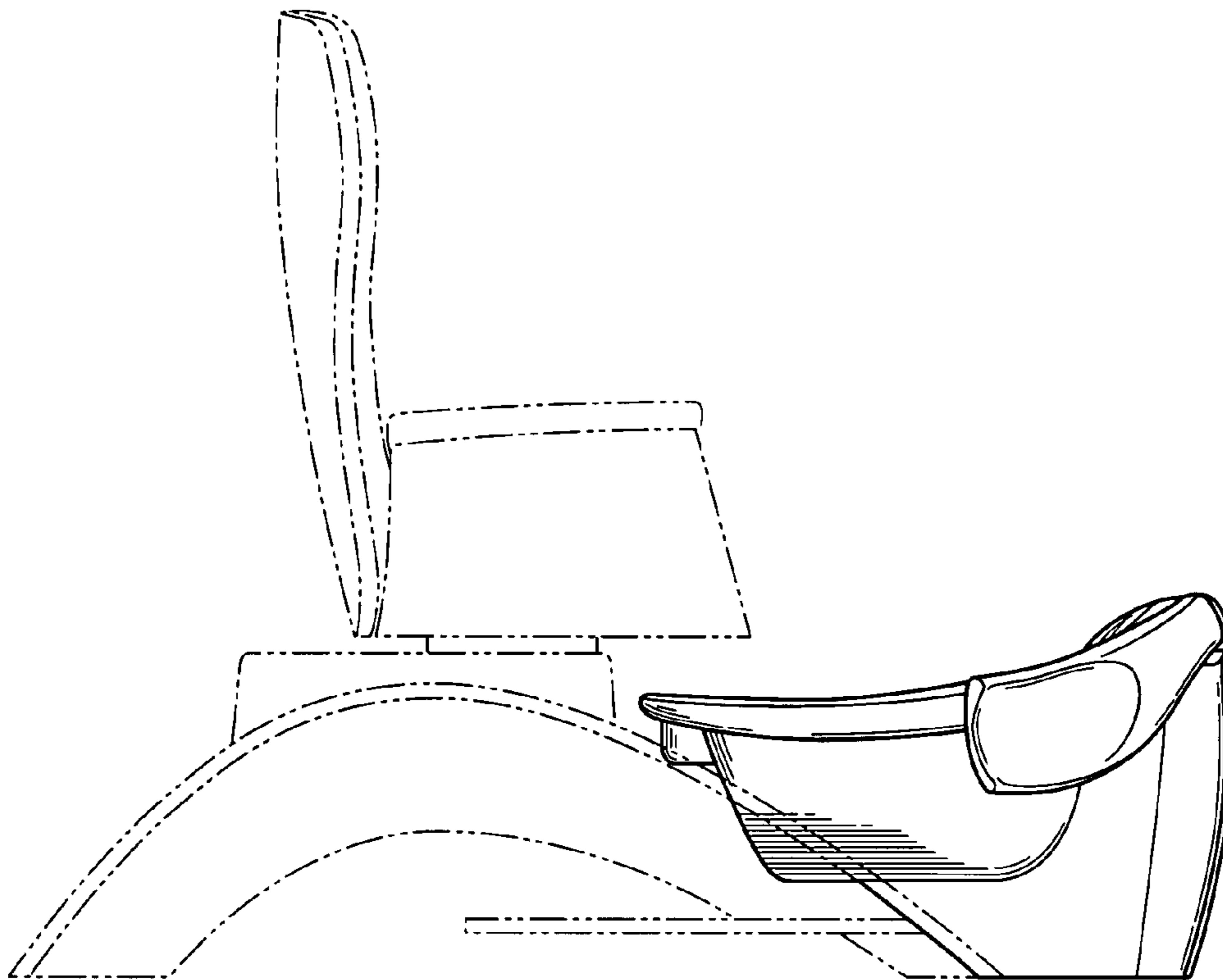


Fig. 6

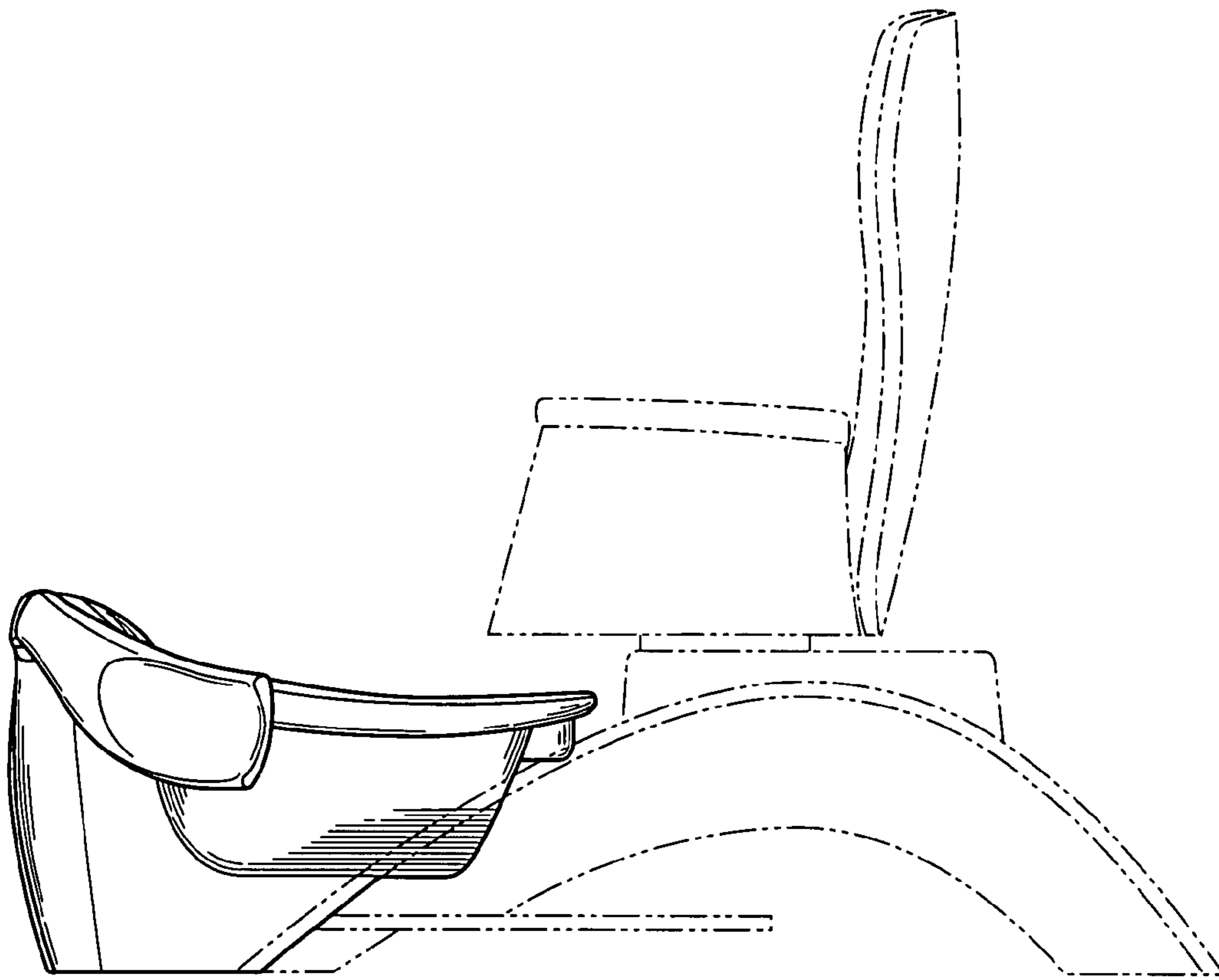


Fig. 7