



US00D589151S

(12) **United States Design Patent**
Sabio

(10) **Patent No.:** **US D589,151 S**

(45) **Date of Patent:** **** Mar. 24, 2009**

(54) **HEARING AID EAR CANAL DOME**

D524,938 S * 7/2006 Schreiber D24/106
D554,756 S * 11/2007 Sjursen et al. D24/174
D556,326 S * 11/2007 Espersen D24/174

(76) Inventor: **Guillermo L. Sabio**, 5341 Denver Dr.,
Orlando, FL (US) 32812

(**) Term: **14 Years**

(21) Appl. No.: **29/301,469**

(22) Filed: **Mar. 4, 2008**

(51) **LOC (9) Cl.** **24-99**

(52) **U.S. Cl.** **D24/174**

(58) **Field of Classification Search** D24/173-175,
D24/106, 182; D14/205, 217, 218, 223,
D14/224, 249; 381/23.1, 312, 322, 323,
381/324, 328, 330, 380, 381; 181/129, 130,
181/134, 135, 137

See application file for complete search history.

(56) **References Cited**

U.S. PATENT DOCUMENTS

D267,429 S * 12/1982 Harada D24/174
4,375,016 A * 2/1983 Harada 181/135
D355,702 S * 2/1995 Johnson D23/209
D419,676 S * 1/2000 Garcia D24/173
D431,294 S * 9/2000 Barnard et al. D24/174
D518,179 S * 3/2006 Holmes D24/174

* cited by examiner

Primary Examiner—T. Chase Nelson

Assistant Examiner—Anhdao Doan

(74) *Attorney, Agent, or Firm*—William M. Hobby, III

(57) **CLAIM**

The ornamental design for a hearing aid ear canal dome, as shown and described.

DESCRIPTION

FIG. 1 is a top perspective view of my new hearing aid ear canal dome having open air openings;

FIG. 2 is a bottom perspective view;

FIG. 3 is a side elevation, all sides being identical;

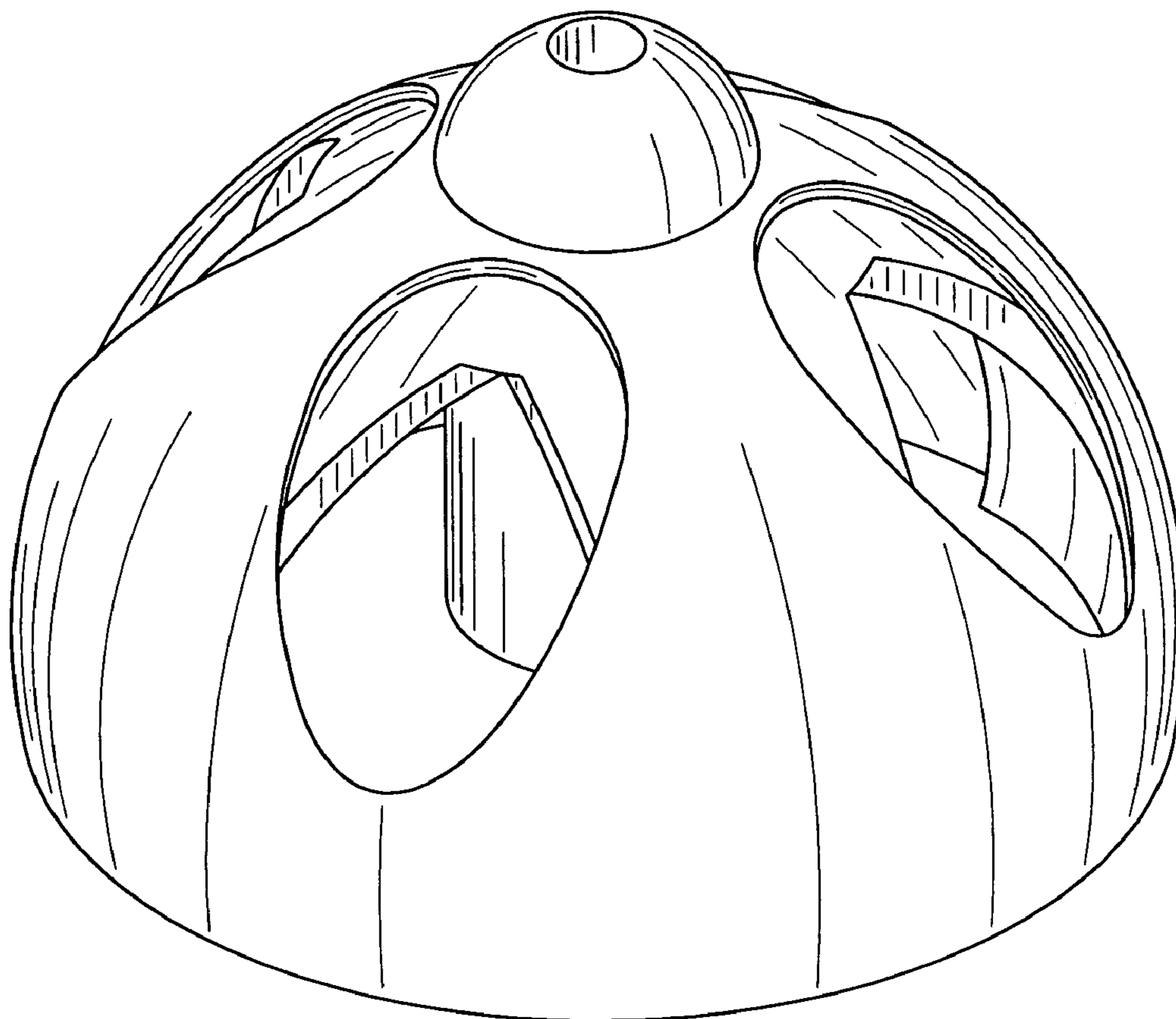
FIG. 4 is a top plan view;

FIG. 5 is a bottom plan view;

FIG. 6 is a perspective view having closed air openings; and,

FIG. 7 is an expanded perspective view.

1 Claim, 4 Drawing Sheets



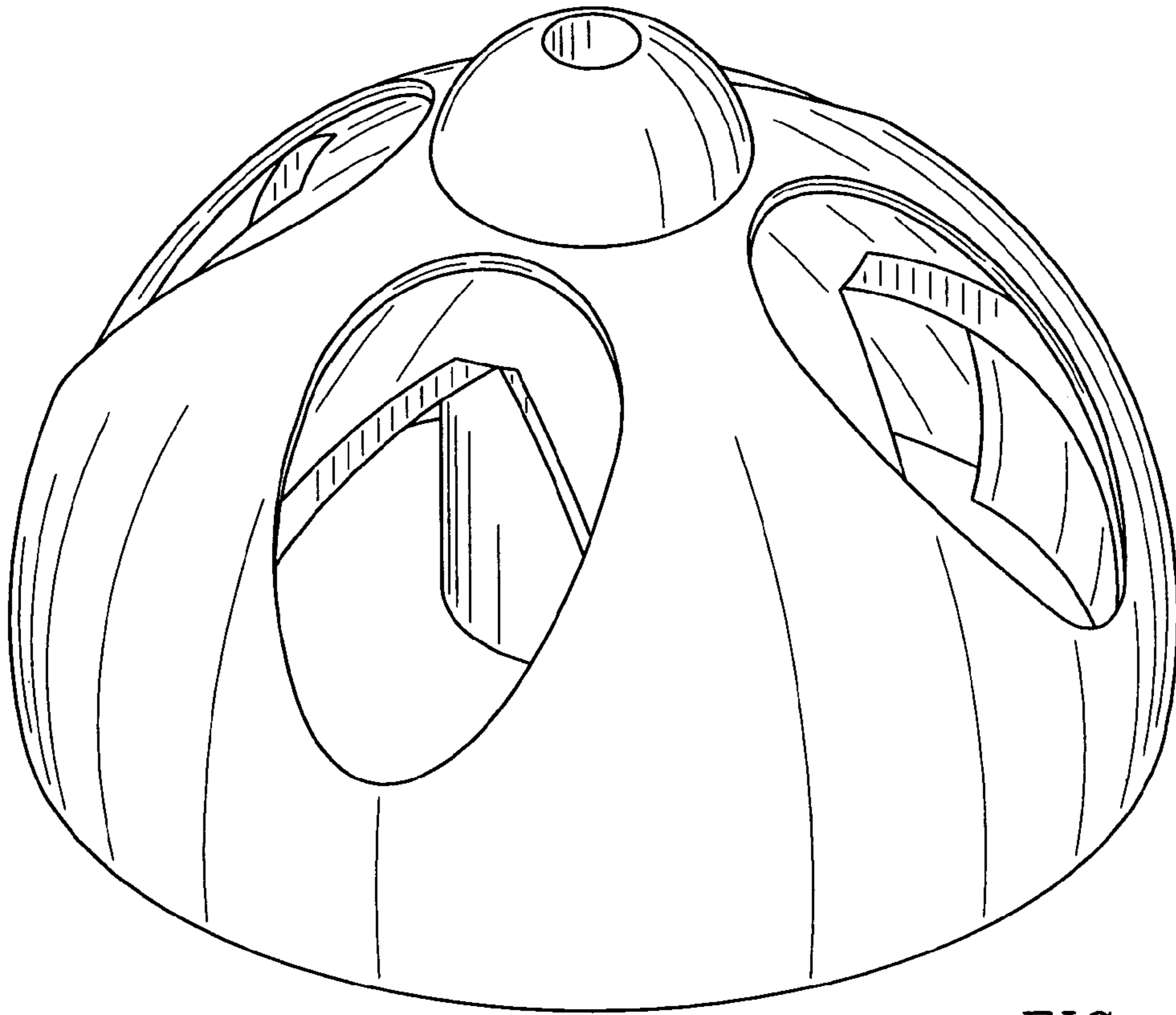


FIG. 1

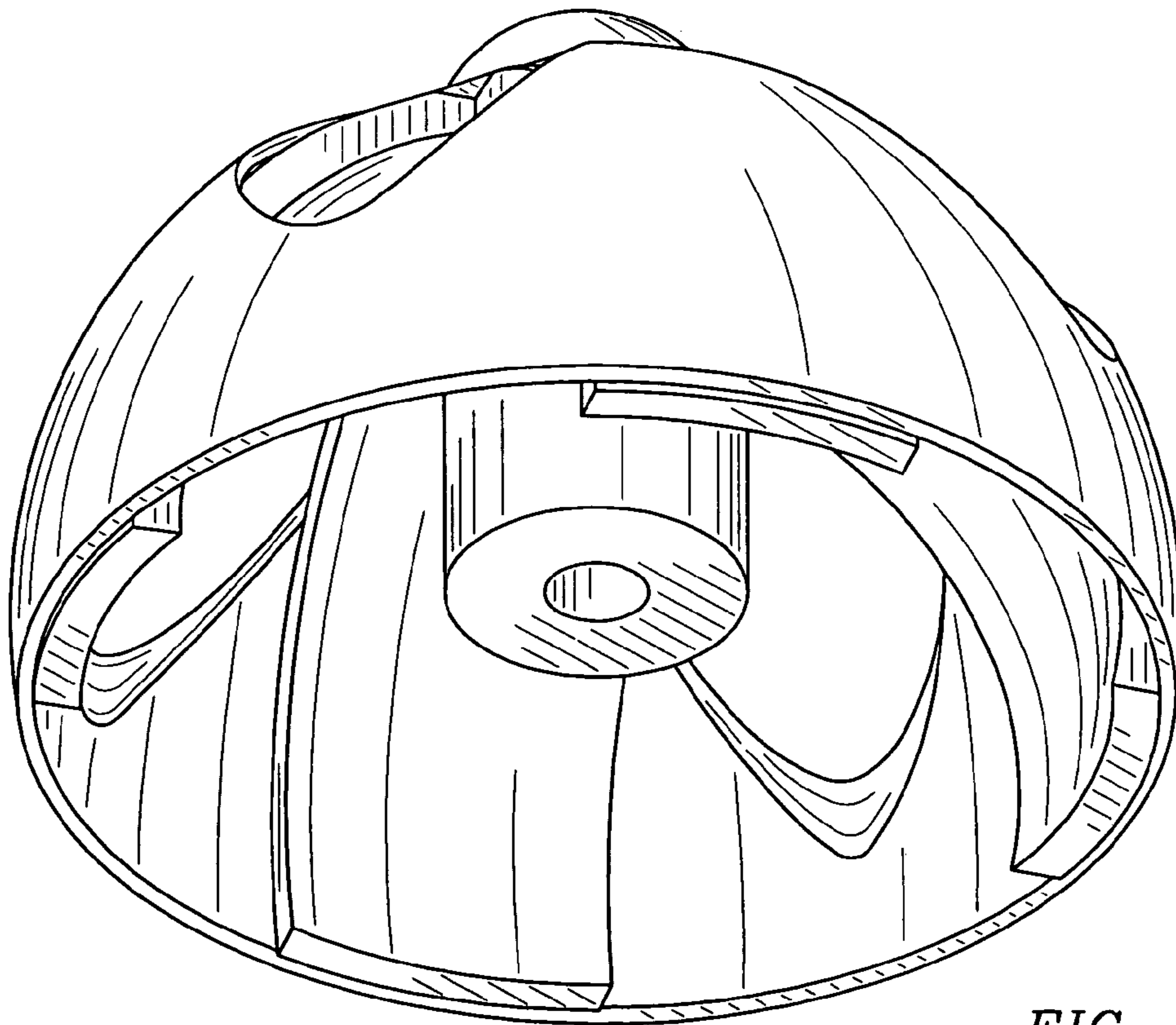


FIG. 2

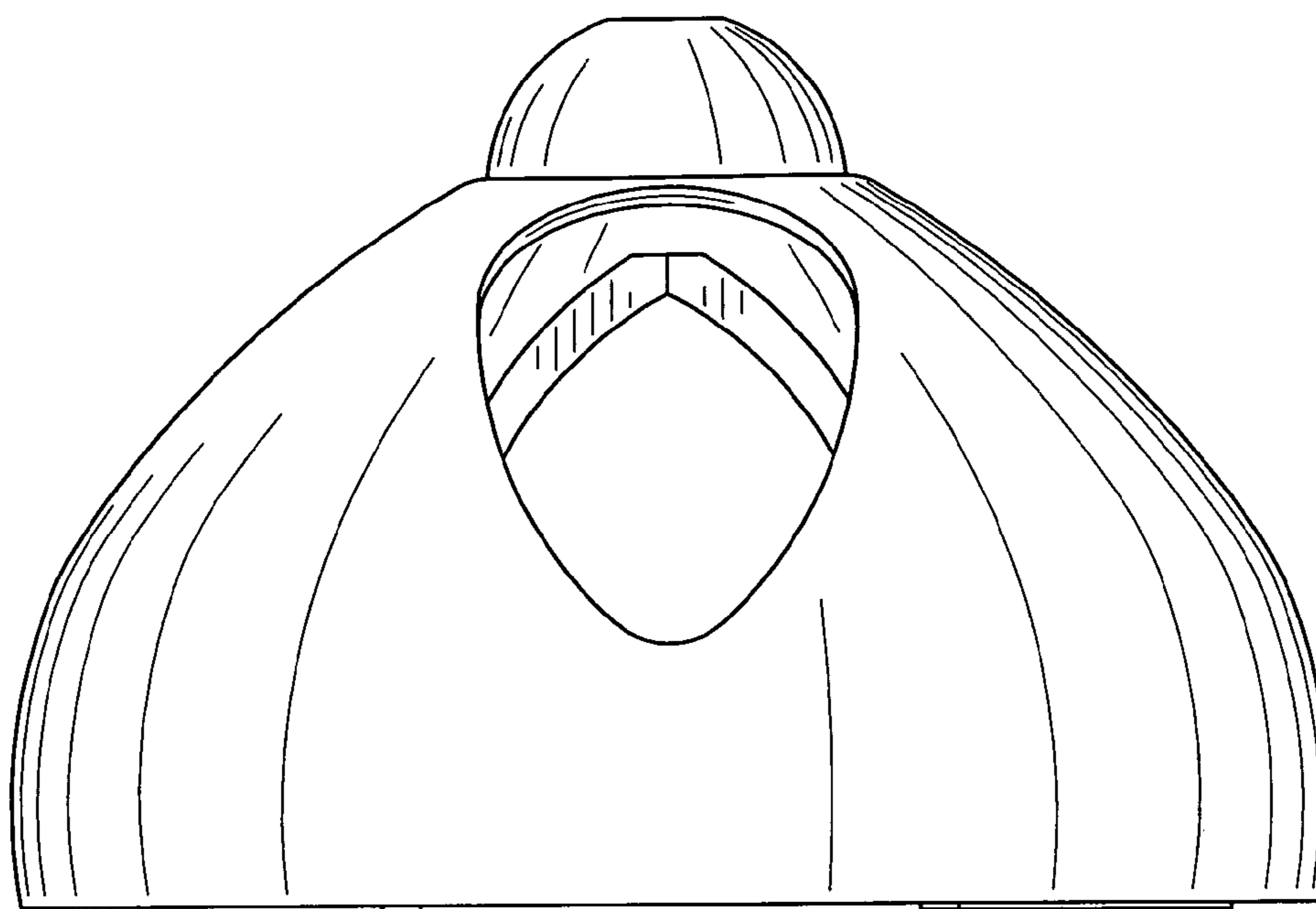


FIG. 3

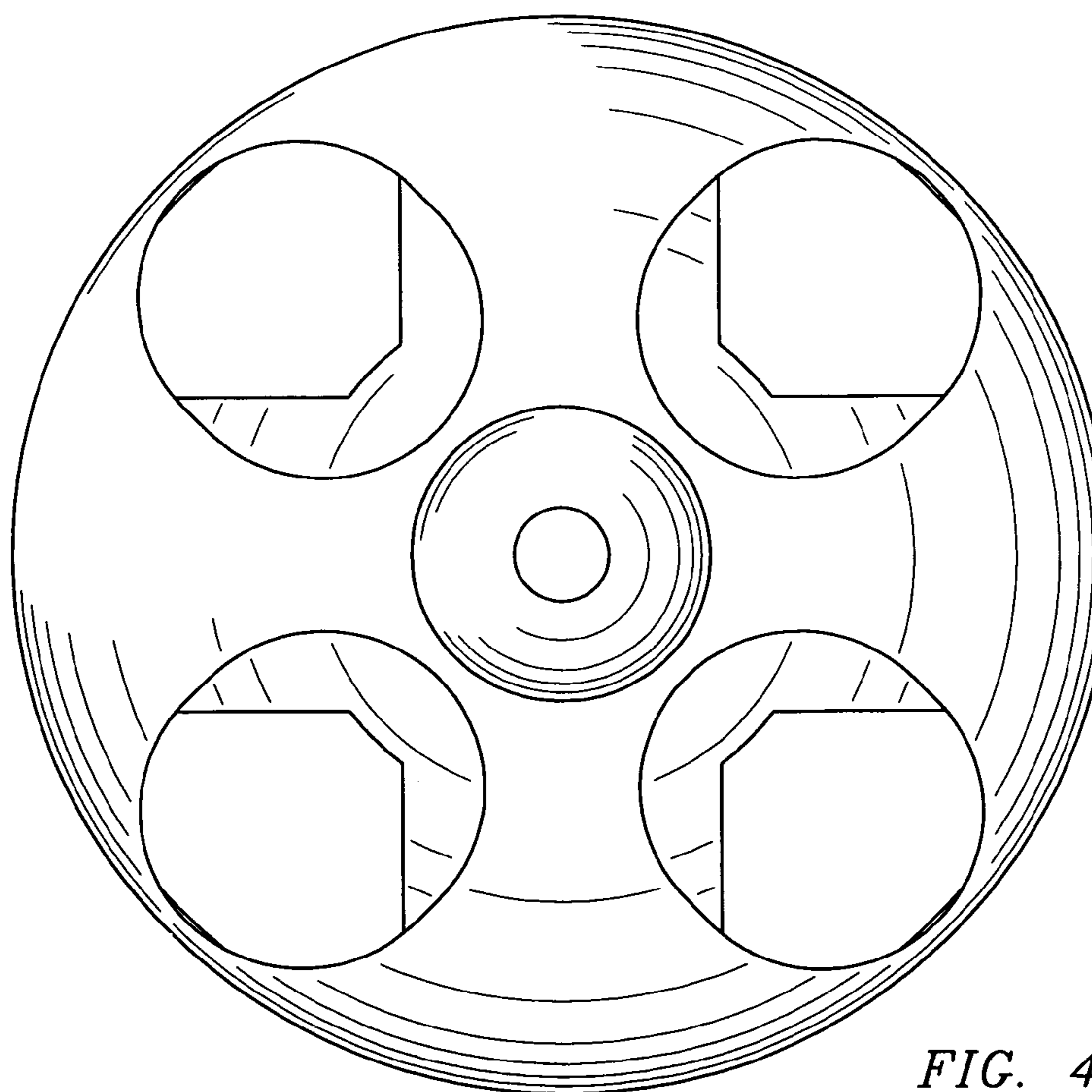


FIG. 4

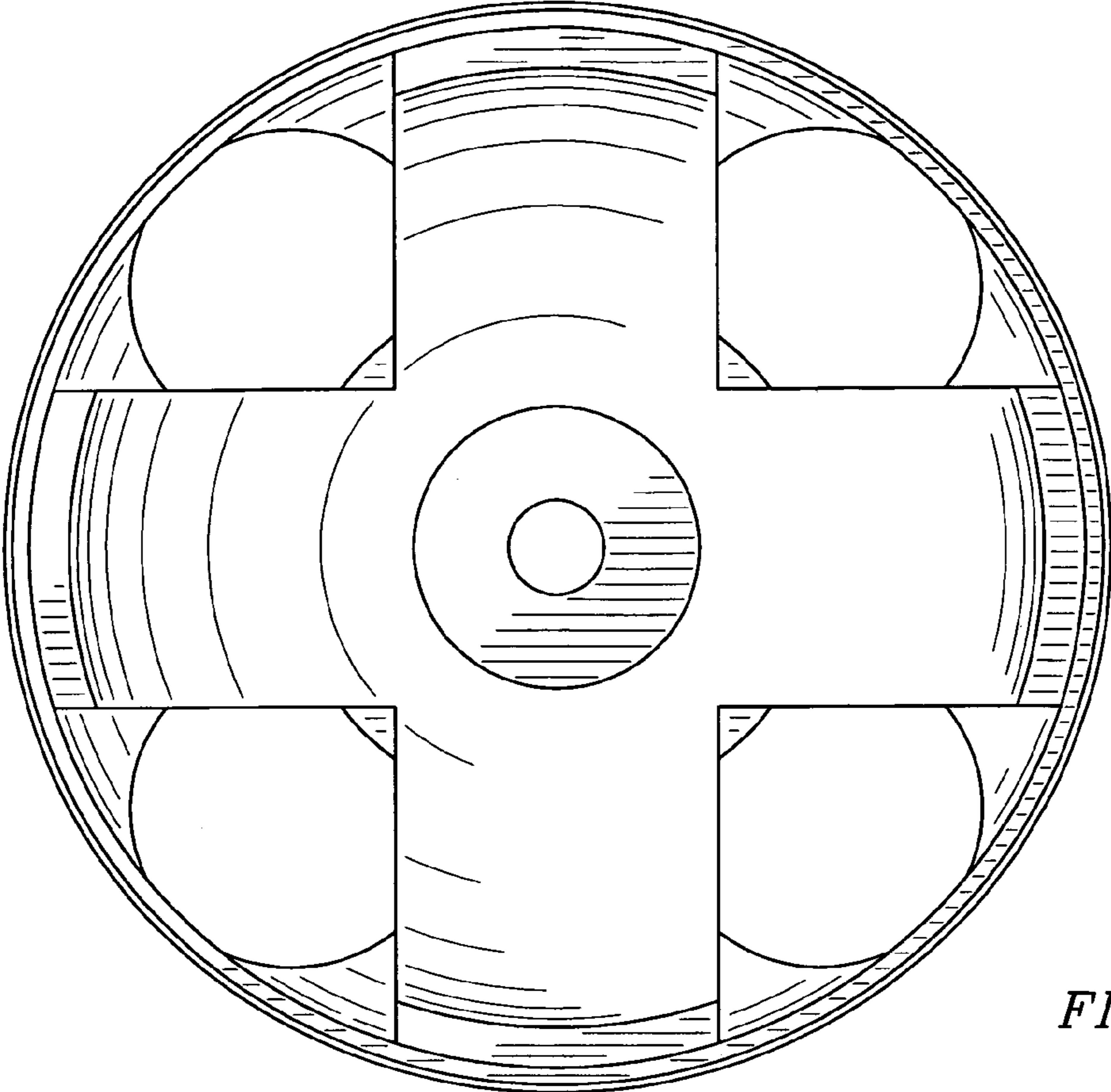


FIG. 5

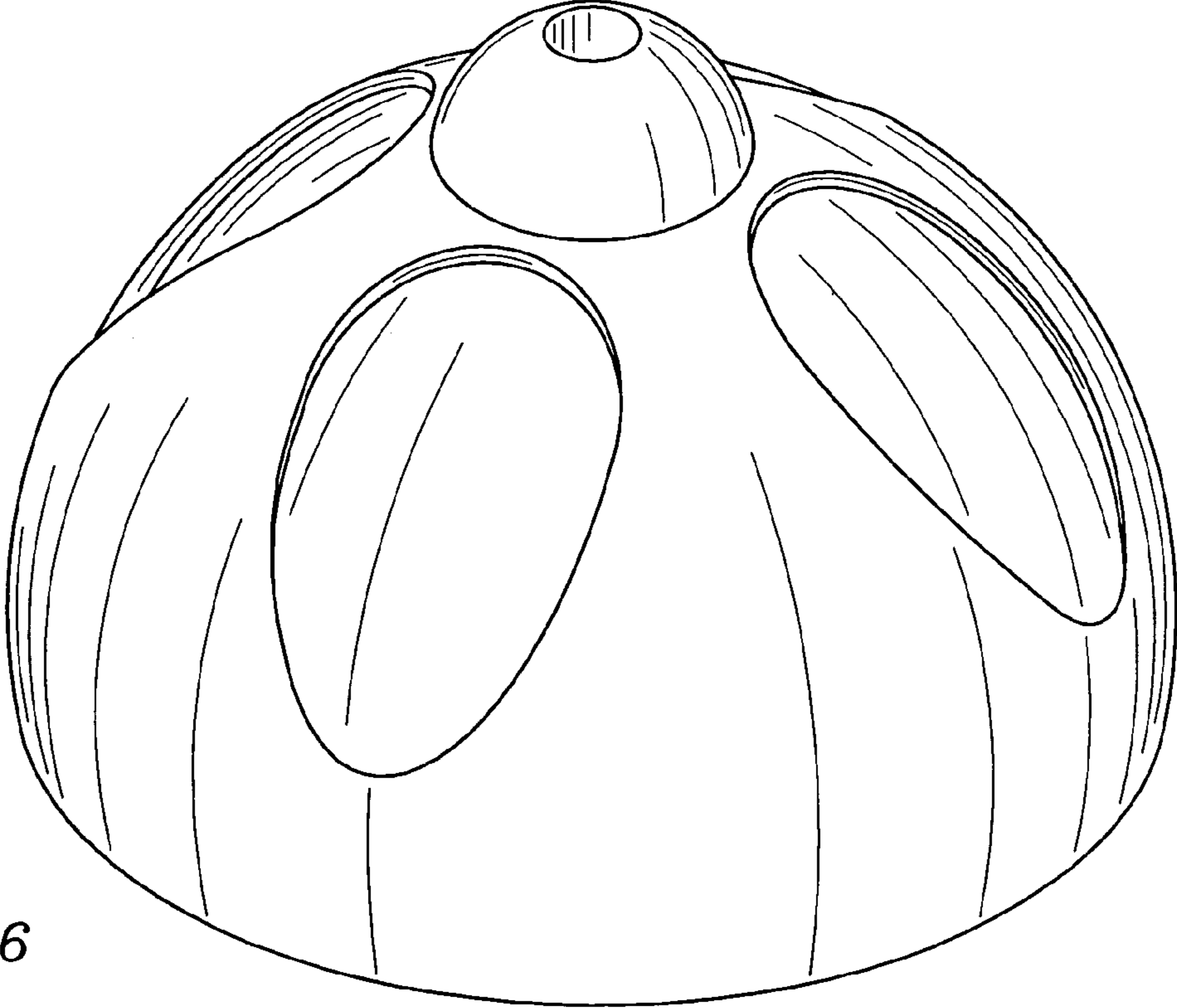


FIG. 6

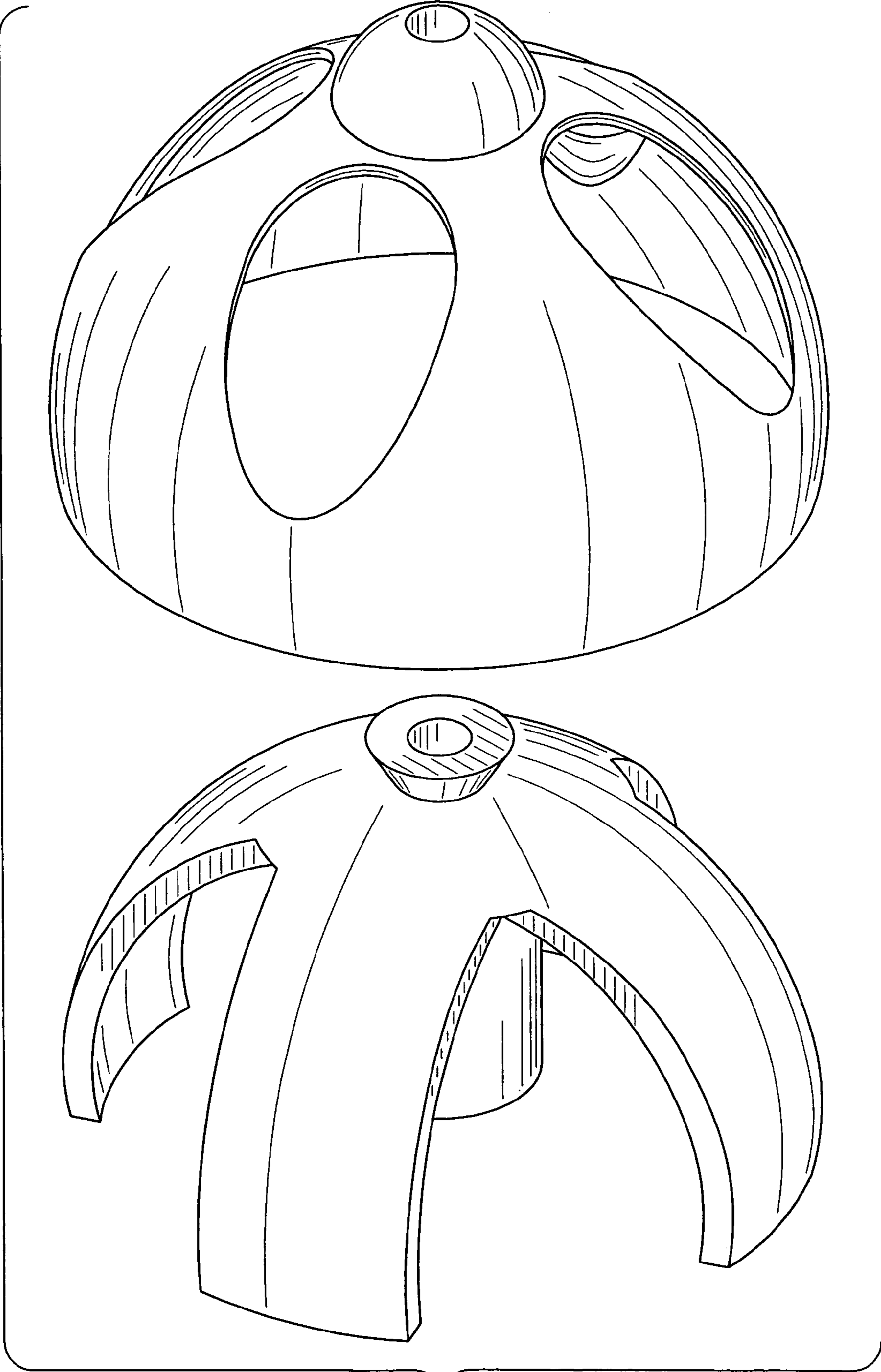


FIG. 7