



US00D589150S

(12) **United States Design Patent**  
**Kato**

(10) **Patent No.:** **US D589,150 S**  
(45) **Date of Patent:** **\*\* Mar. 24, 2009**

(54) **BLOOD PRESSURE MEASURING APPARATUS**

(75) Inventor: **Junichi Kato**, Shibukawa (JP)

(73) Assignee: **Japan Precision Instruments Inc.**,  
Shibukawa-shi, Gunma (JP)

(\*\*) Term: **14 Years**

(21) Appl. No.: **29/292,055**

(22) Filed: **Sep. 26, 2007**

(30) **Foreign Application Priority Data**

Mar. 30, 2007 (JP) ..... 2007-008319

(51) **LOC (9) Cl.** ..... **24-02**

(52) **U.S. Cl.** ..... **D24/167**

(58) **Field of Classification Search** ..... D24/165-169,  
D24/186; D10/98; 600/479-480, 485, 490,  
600/493-495, 499, 500

See application file for complete search history.

(56) **References Cited**

**U.S. PATENT DOCUMENTS**

D354,811 S *	1/1995	Tsushi	.....	D24/165
D406,346 S *	3/1999	Hirakawa	.....	D24/165
D569,521 S *	5/2008	Omaki	.....	D24/186
D574,496 S *	8/2008	Kitamura et al.	.....	D24/165

\* cited by examiner

*Primary Examiner*—T. Chase Nelson  
*Assistant Examiner*—Anhdao Doan  
(74) *Attorney, Agent, or Firm*—Frishauf, Holtz, Goodman & Chick, P.C.

(57) **CLAIM**

The ornamental design for a blood pressure measuring apparatus, as shown and described.

**DESCRIPTION**

FIG. 1 is a front, left side, bottom perspective view of a blood pressure measuring apparatus showing my new design;

FIG. 2 is a front elevational view thereof;

FIG. 3 is a rear elevational view thereof;

FIG. 4 is a left side view thereof;

FIG. 5 is a right side view thereof;

FIG. 6 is a top plan view thereof;

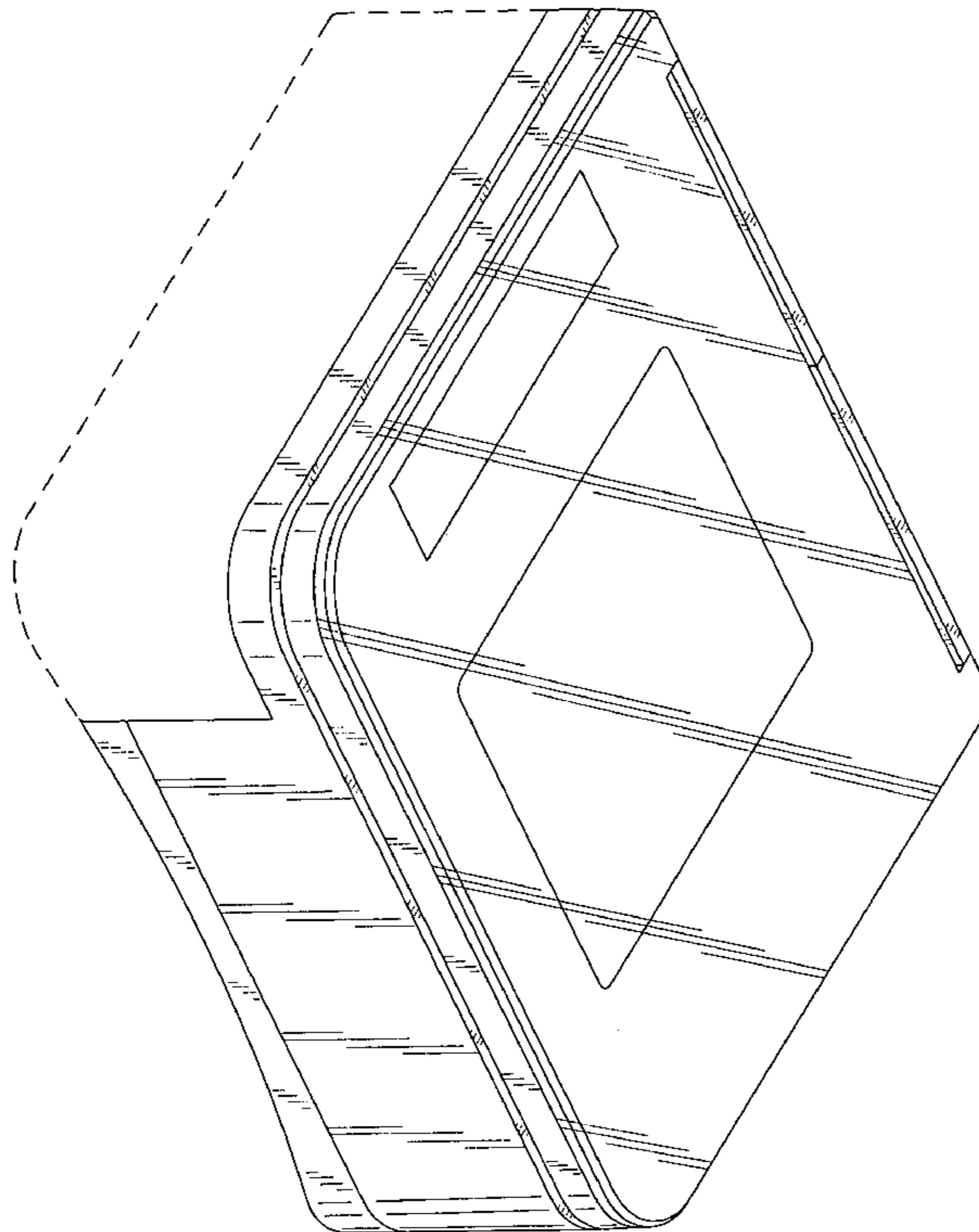
FIG. 7 is a bottom plan view thereof;

FIG. 8 is a reference front, left side, bottom perspective view thereof with a cuff attached; and,

FIG. 9 is a reference view thereof showing a state in which this article is used.

The broken lines in FIG. 1-9 are included for the purpose of illustrating the portions of the blood pressure measuring apparatus that form no part of the claimed design. The broken line showing of a human form in FIG. 9 depicts environmental subject matter and forms no part of the claimed design.

**1 Claim, 8 Drawing Sheets**



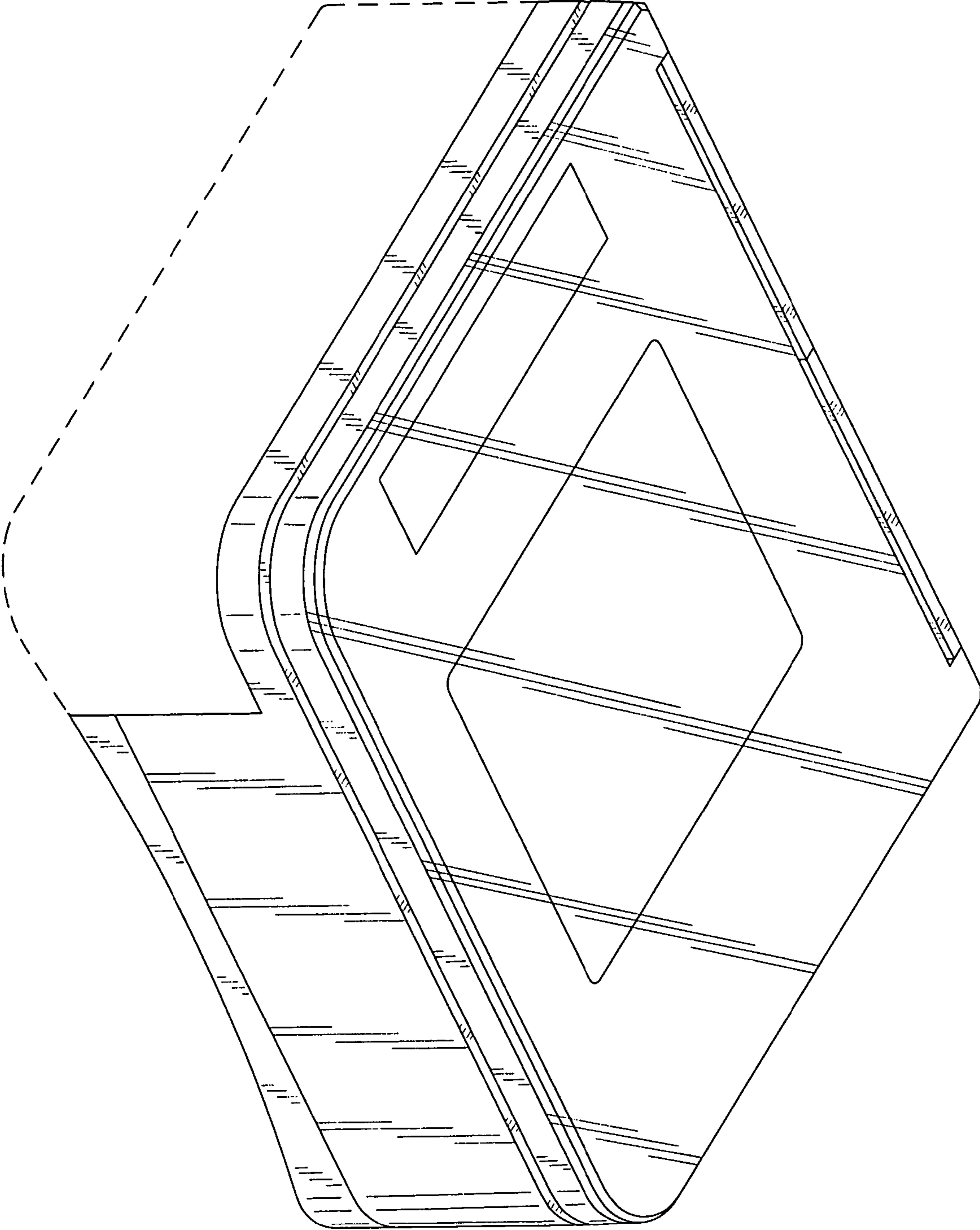


FIG. 1

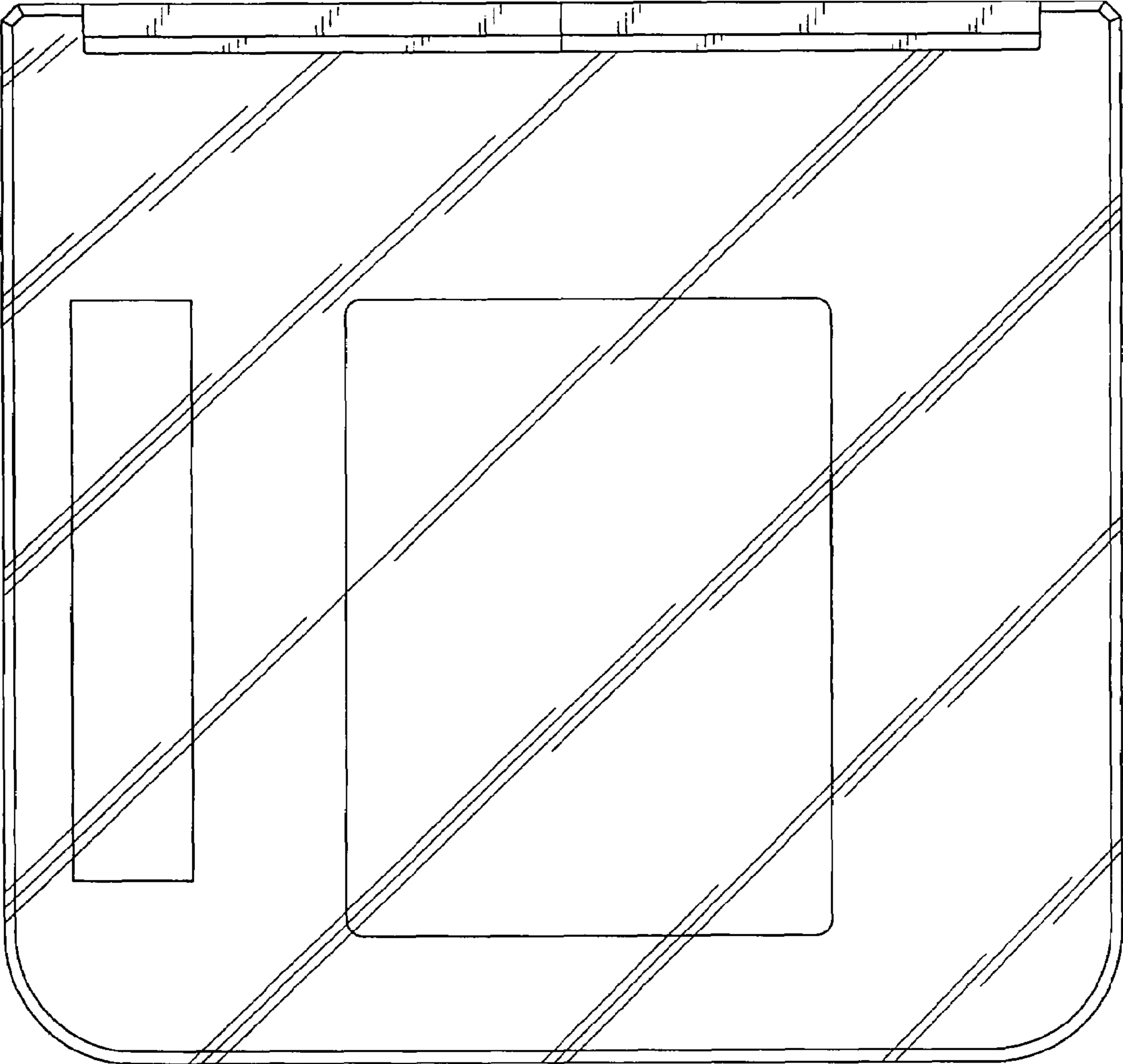


FIG. 2

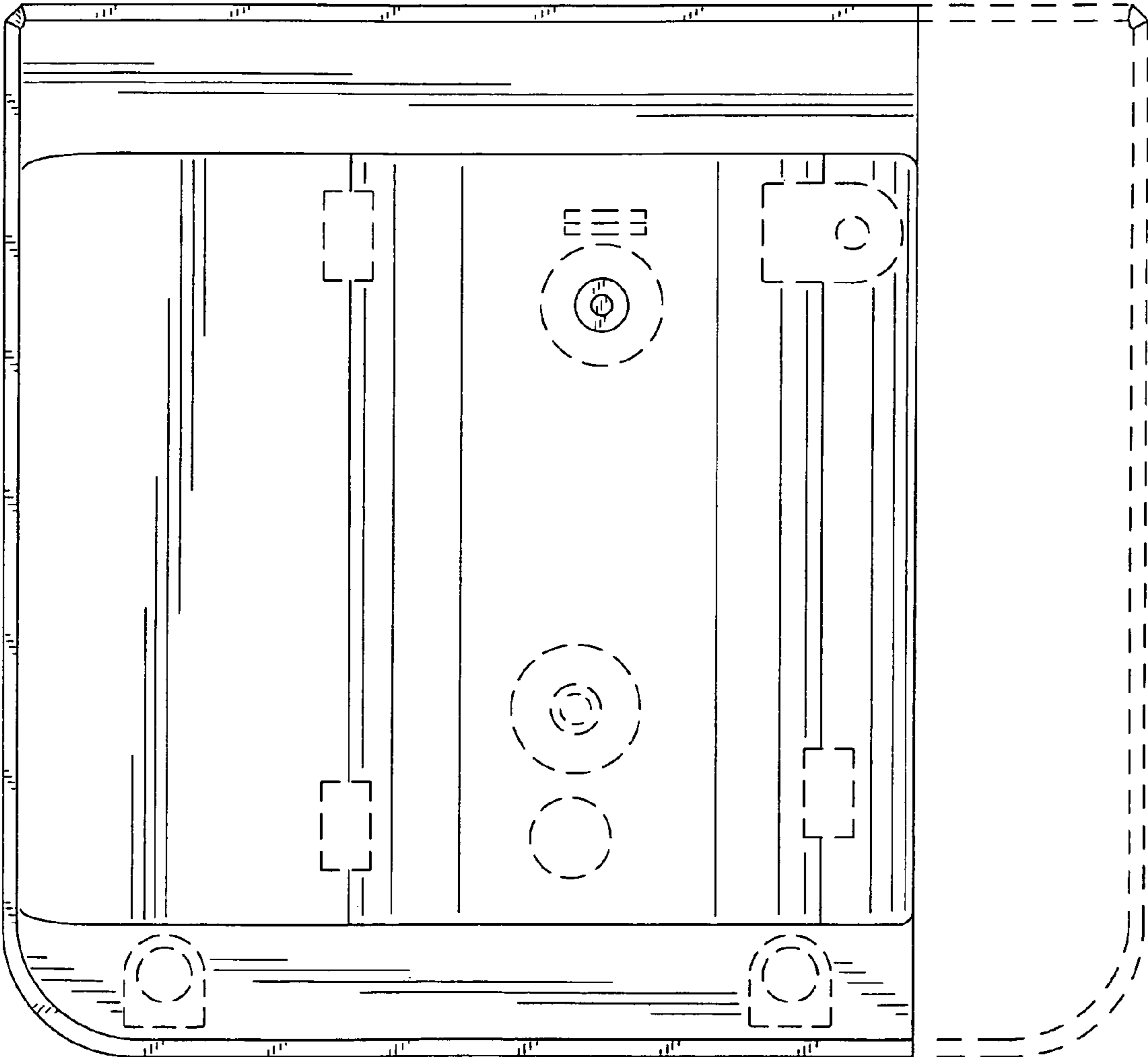


FIG. 3

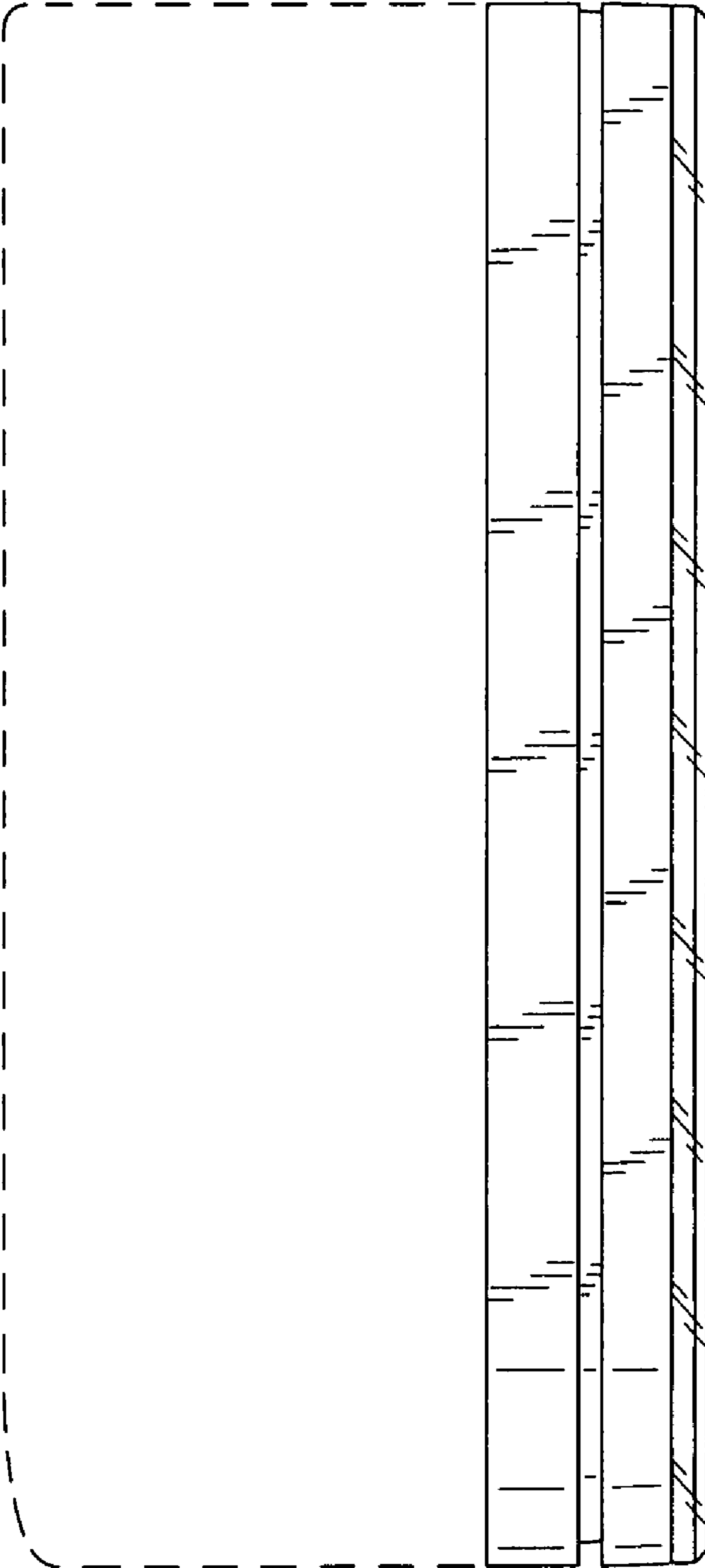


FIG. 4

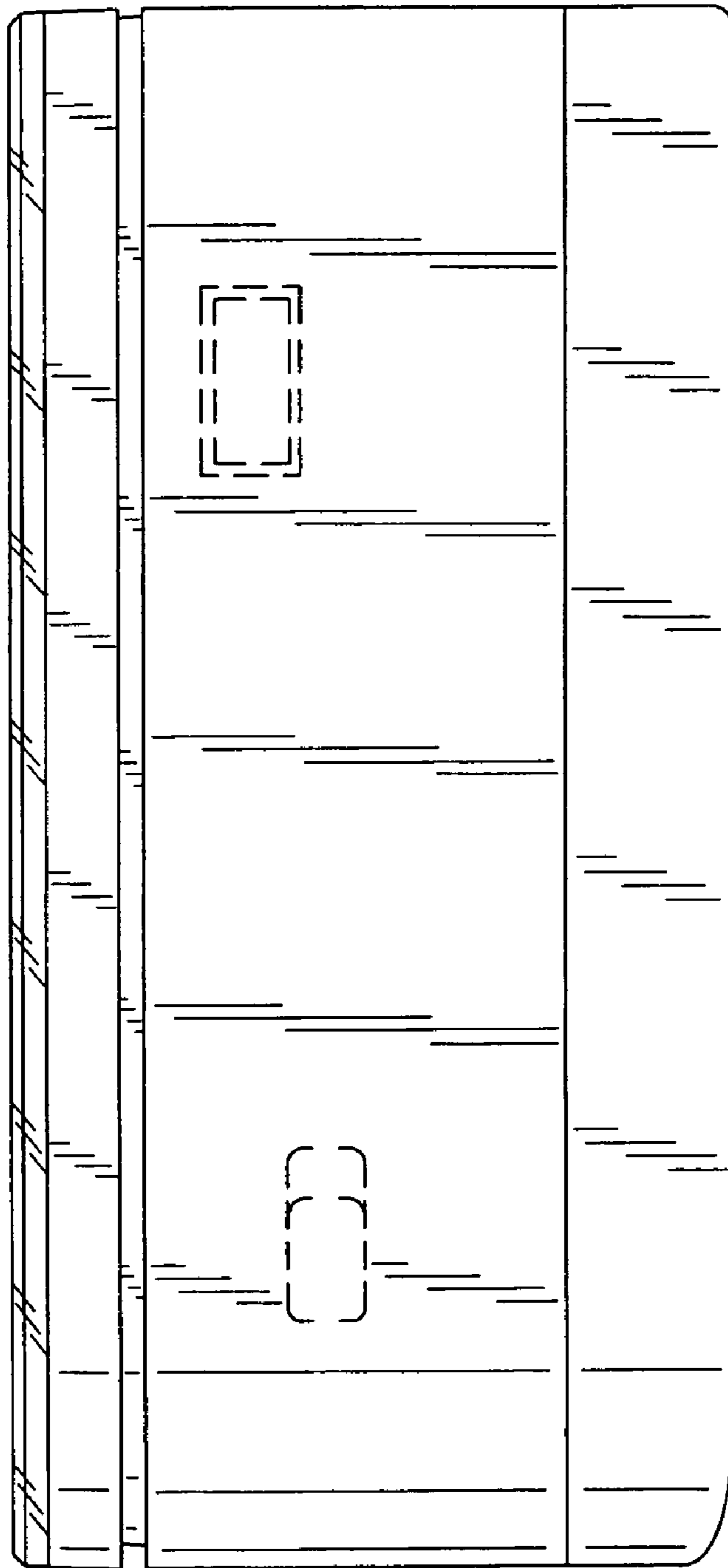


FIG. 5

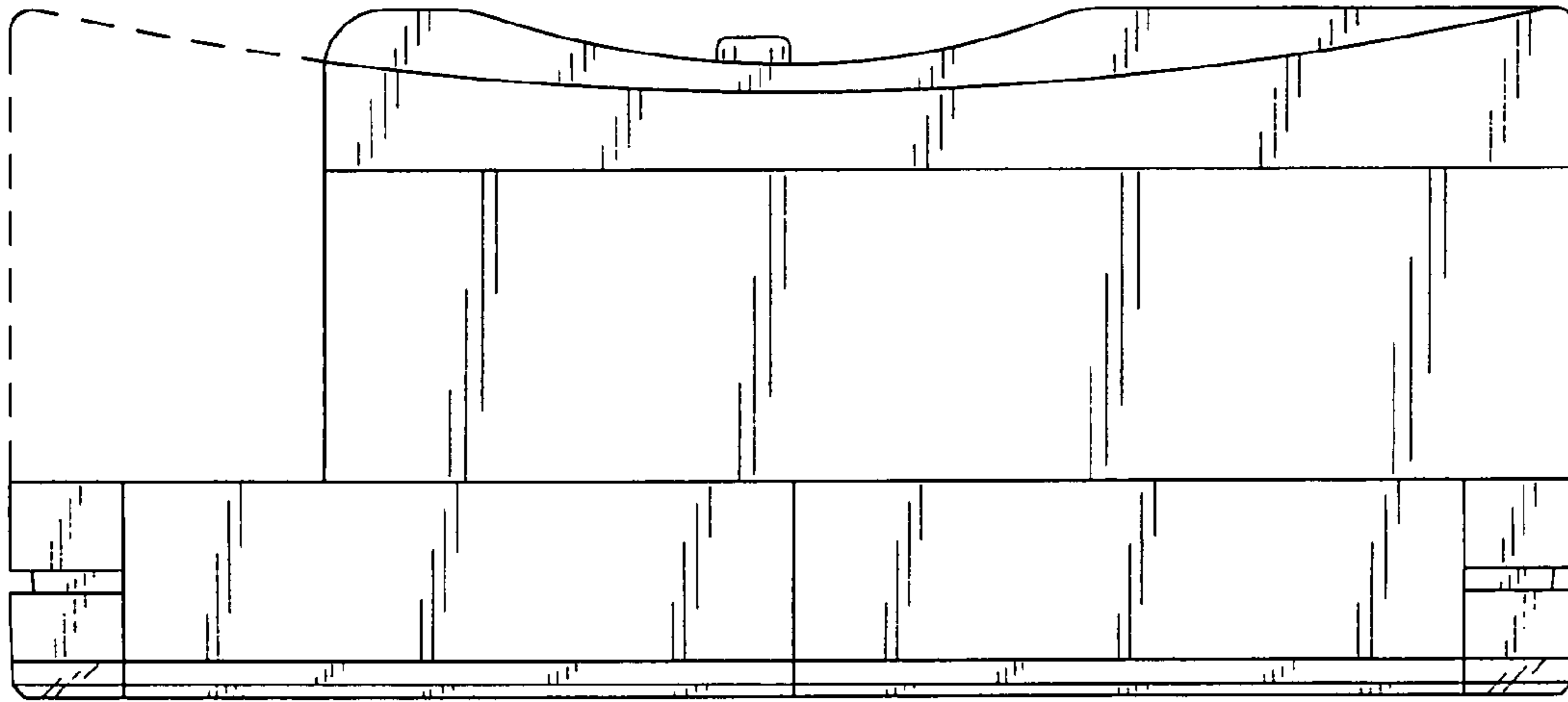


FIG. 6

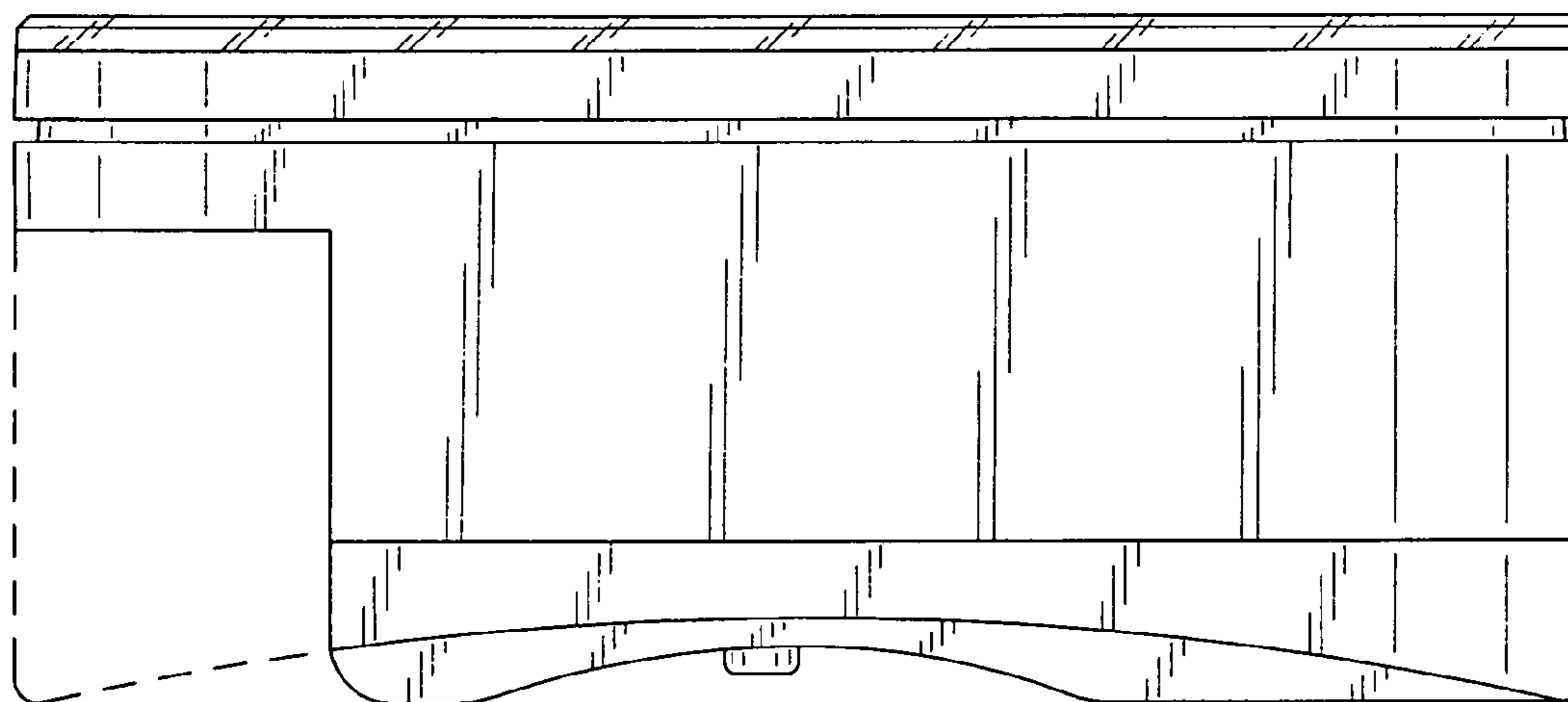


FIG. 7

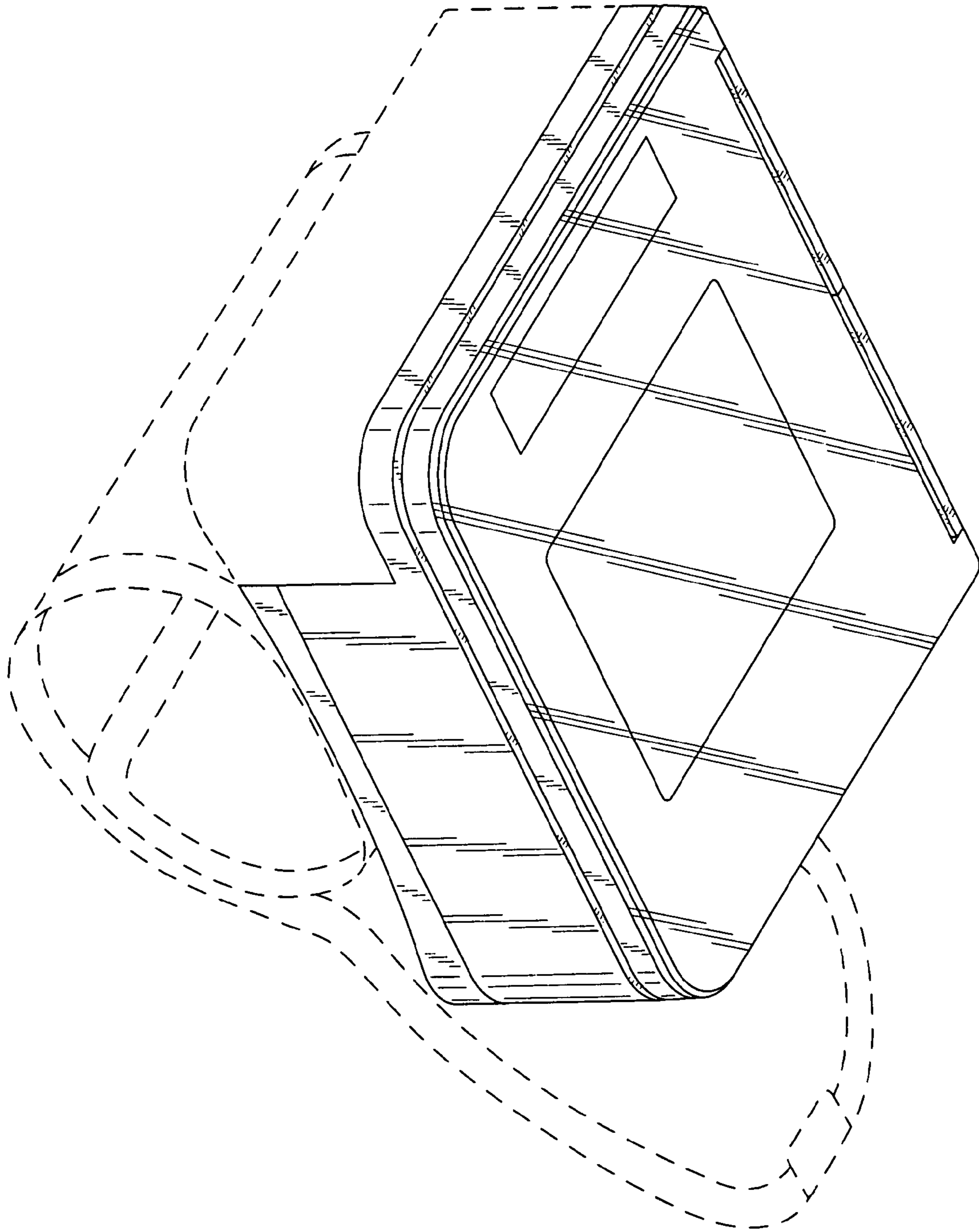
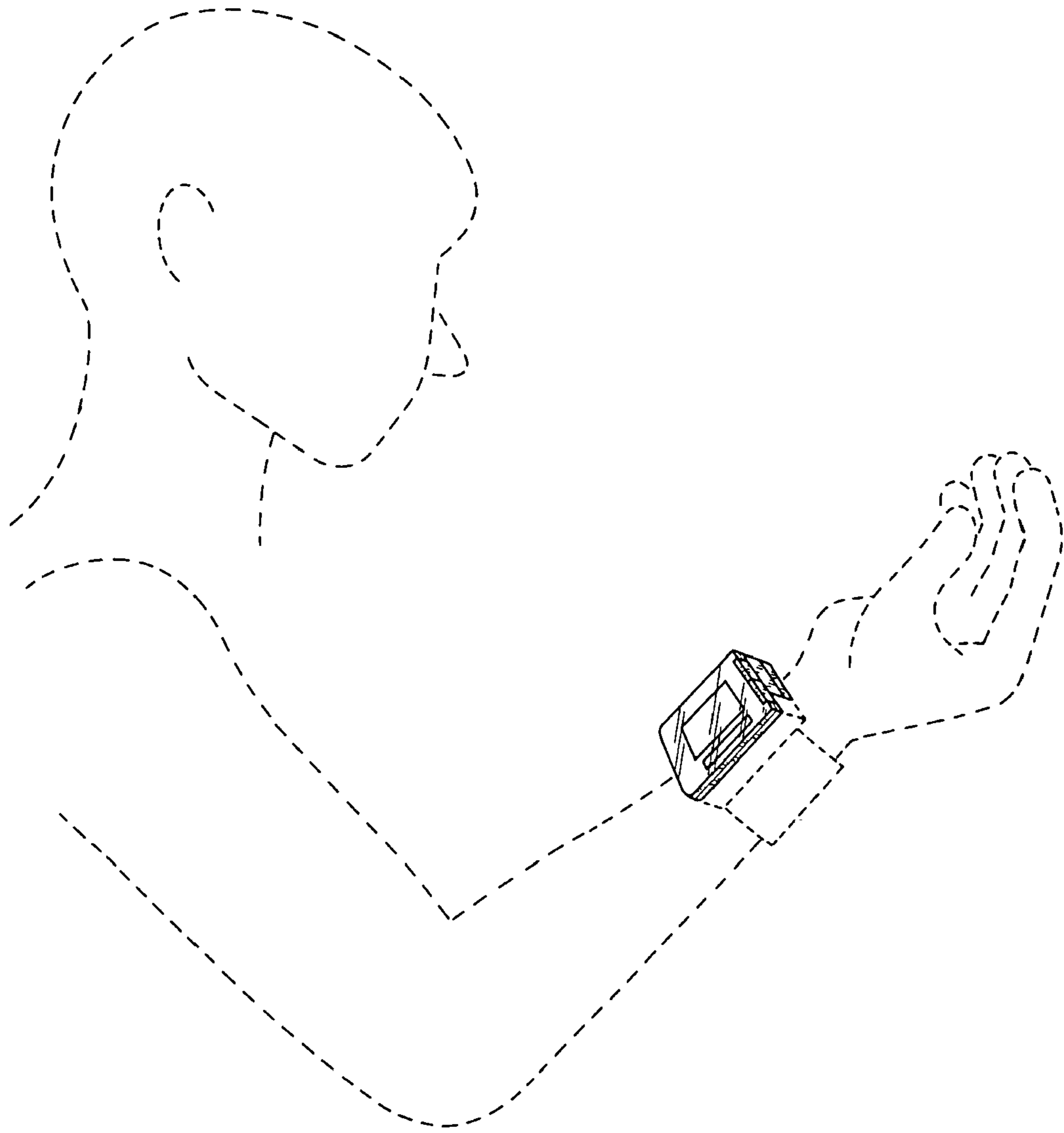


FIG. 8





**FIG. 9**