



US00D589149S

(12) **United States Design Patent**  
**Strnad et al.**

(10) **Patent No.:** **US D589,149 S**  
(45) **Date of Patent:** **\*\* Mar. 24, 2009**

(54) **ORTHOPEDIC PLATE**

(75) Inventors: **Lee A. Strnad**, Broadview Hts., OH (US); **David B. Kay**, Akron, OH (US); **Amanda Martin**, Norton, OH (US); **G. Martin Wynkoop**, Gainesville, FL (US)

(73) Assignee: **Orthohelix Surgical Designs, Inc.**, Akron, OH (US)

(\*\*) Term: **14 Years**

(21) Appl. No.: **29/310,188**

(22) Filed: **Jul. 31, 2008**

**Related U.S. Application Data**

(62) Division of application No. 29/271,372, filed on Jan. 17, 2007, now Pat. No. Des. 576,731.

(51) **LOC (9) Cl.** ..... **24-03**

(52) **U.S. Cl.** ..... **D24/155**

(58) **Field of Classification Search** ..... D24/155, D24/156, 157; 623/17.11, 16.71; D8/391-393, D8/382, 354; 606/246, 247, 248, 249, 258, 606/267, 280, 70, 71, 283, 299, 166, 903, 606/905, 906, 286, 396, 17.16, 17.13, 250, 606/272

See application file for complete search history.

(56) **References Cited**

**U.S. PATENT DOCUMENTS**

5,197,966	A	3/1993	Sommerkamp	
5,364,398	A *	11/1994	Chapman et al.	606/250
6,096,040	A *	8/2000	Esser	606/71
D440,311	S *	4/2001	Michelson	D24/158
D443,060	S *	5/2001	Benirschke et al.	D15/143
6,358,250	B1	3/2002	Orbay	
6,364,882	B1	4/2002	Orbay	
D469,533	S *	1/2003	Bryant et al.	D24/155

(Continued)

*Primary Examiner*—Charles A Rademaker

(74) *Attorney, Agent, or Firm*—Hudak, Shunk & Farine Co. LPA

(57) **CLAIM**

The ornamental design for an orthopedic plate, as shown and described.

**DESCRIPTION**

FIG. 1 is a front elevation of an orthopedic plate showing our new design;

FIG. 2 is a top plan view thereof;

FIG. 3 is a bottom plan thereof;

FIG. 4 is a left end elevation thereof;

FIG. 5 is a right end elevation thereof;

FIG. 6 is a rear elevation thereof;

FIG. 7 is a front elevation of a modified embodiment of the design shown in FIGS. 1 through 6;

FIG. 8 is a top plan view thereof;

FIG. 9 is a bottom plan view thereof;

FIG. 10 is a left end elevation thereof;

FIG. 11 is a right end elevation thereof;

FIG. 12 is a rear elevation thereof;

FIG. 13 is a front elevation of a second modified embodiment of the design shown in FIGS. 1 through 6;

FIG. 14 is a top plan view thereof;

FIG. 15 is a bottom plan thereof;

FIG. 16 is a left end elevation thereof;

FIG. 17 is a right end elevation thereof;

FIG. 18 is a rear elevation thereof;

FIG. 19 is a front elevation of a third modified embodiment of the design shown in FIGS. 1 through 6;

FIG. 20 is a top plan view thereof;

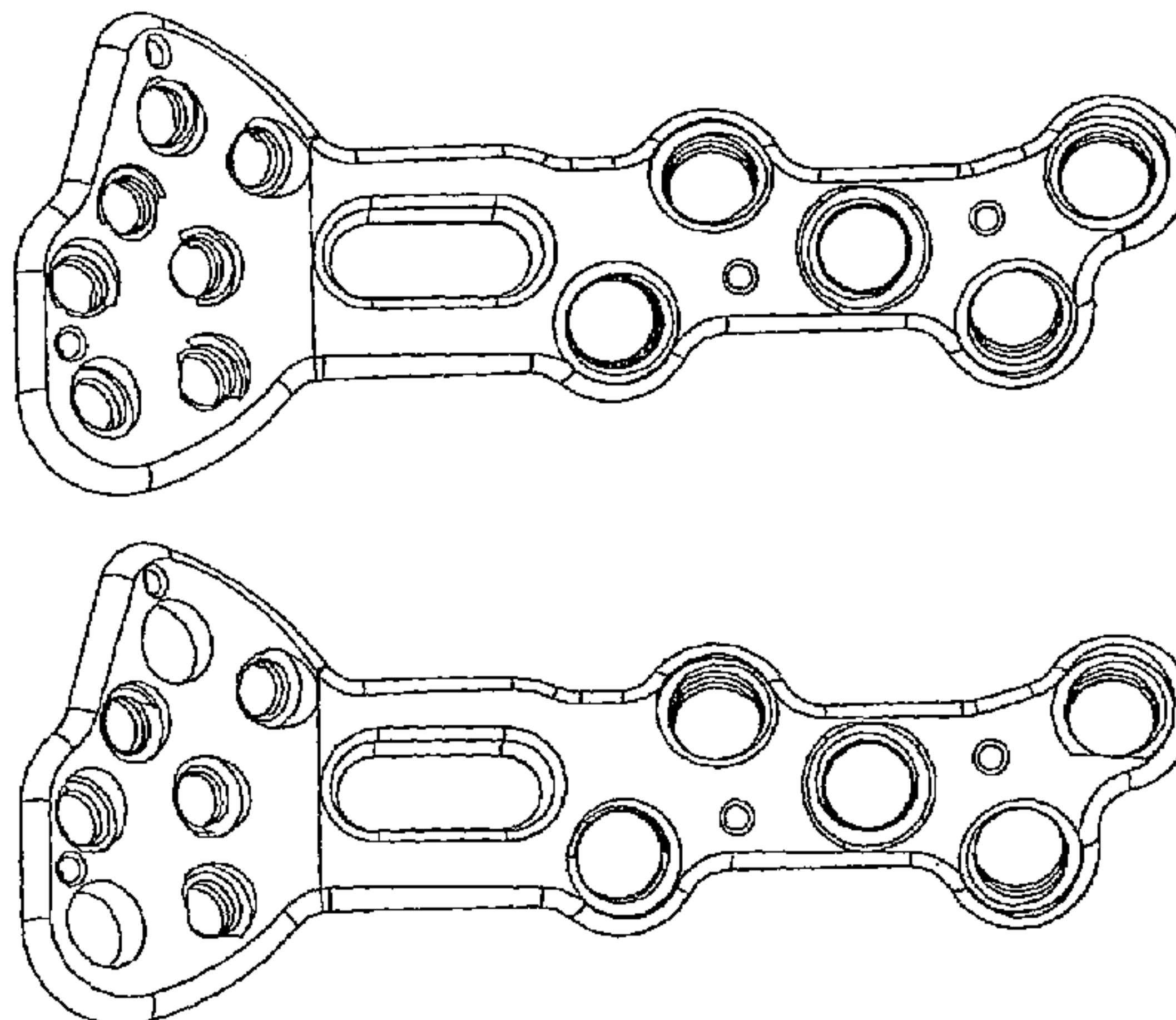
FIG. 21 is a bottom plan view thereof;

FIG. 22 is a left end elevation thereof;

FIG. 23 is a right end elevation thereof; and,

FIG. 24 is a rear elevation thereof.

**1 Claim, 4 Drawing Sheets**



# US D589,149 S

Page 2

---

U.S. PATENT DOCUMENTS					
			7,220,263 B2 *	5/2007	Cordaro ..... 606/70
6,508,819 B1	1/2003	Orbay	2004/0059334 A1	3/2004	Weaver et al.
6,623,486 B1	9/2003	Weaver et al.	2004/0153073 A1	8/2004	Orbay
6,712,820 B2	3/2004	Orbay	2004/0193155 A1	9/2004	Castaneda
6,890,335 B2 *	5/2005	Grabowski et al. .... 606/280	2005/0065522 A1	3/2005	Orbay
6,916,320 B2 *	7/2005	Michelson ..... 606/71	2005/0080421 A1	4/2005	Weaver et al.
7,074,221 B2 *	7/2006	Michelson ..... 606/70	2005/0085818 A1	4/2005	Huebner
7,137,987 B2 *	11/2006	Patterson et al. .... 606/71	2005/0245931 A1	11/2005	Orbay
D536,453 S *	2/2007	Young et al. .... D24/155	2006/0259039 A1	11/2006	Pitkanen et al.
7,186,256 B2 *	3/2007	Michelson ..... 606/70			
7,195,633 B2 *	3/2007	Medoff et al. .... 606/272			

\* cited by examiner

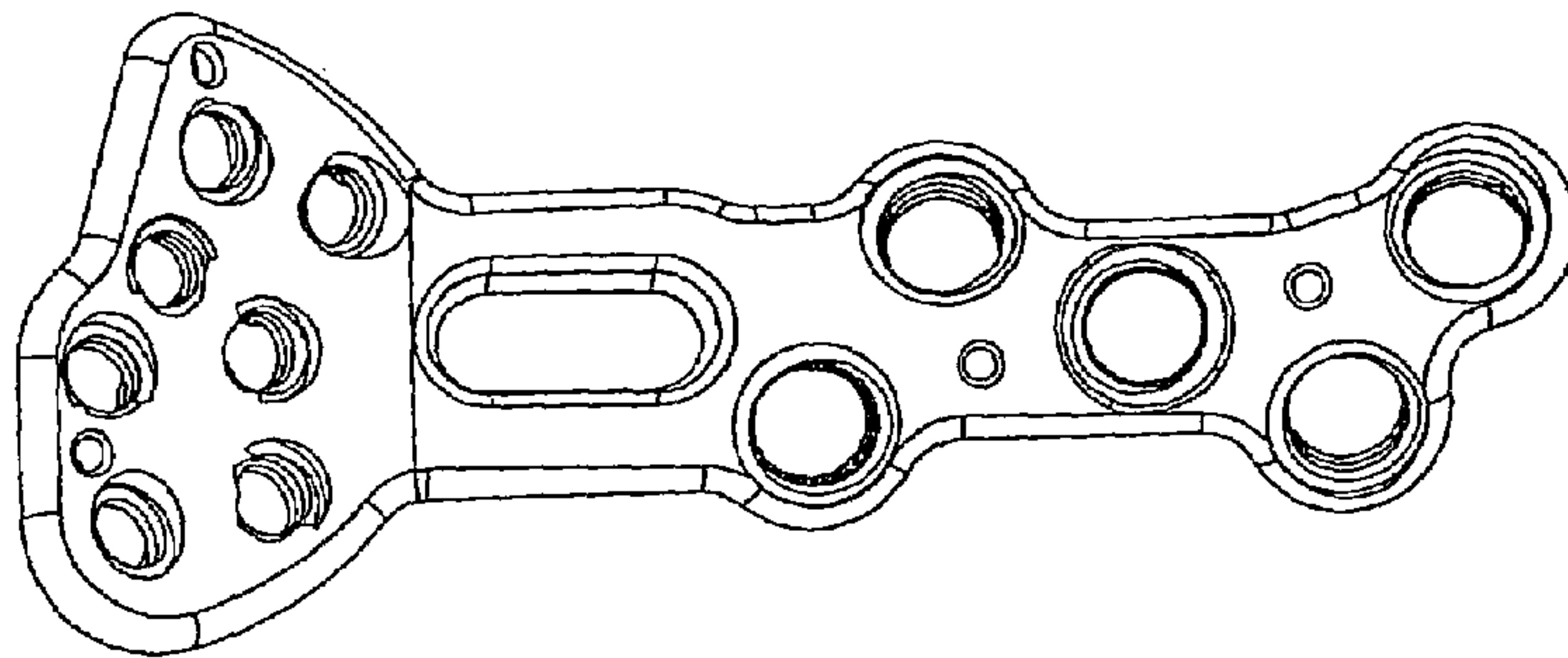


FIG. -2

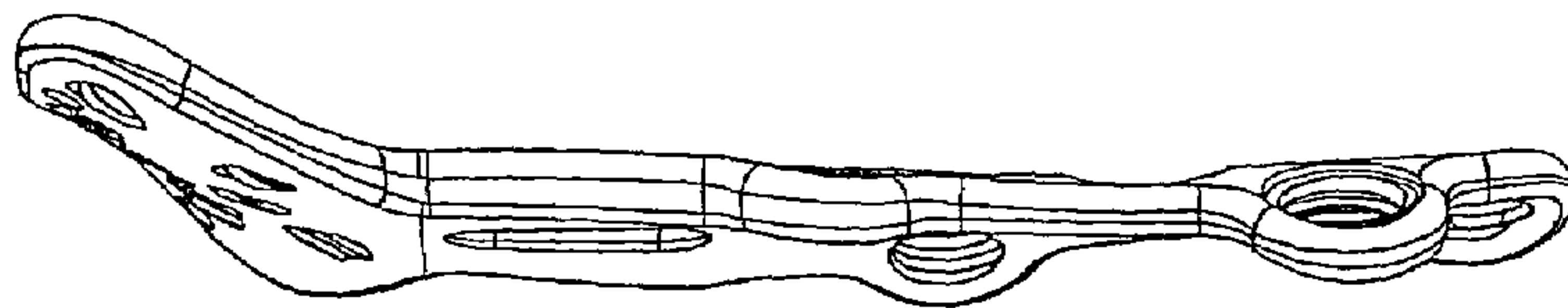


FIG. -1

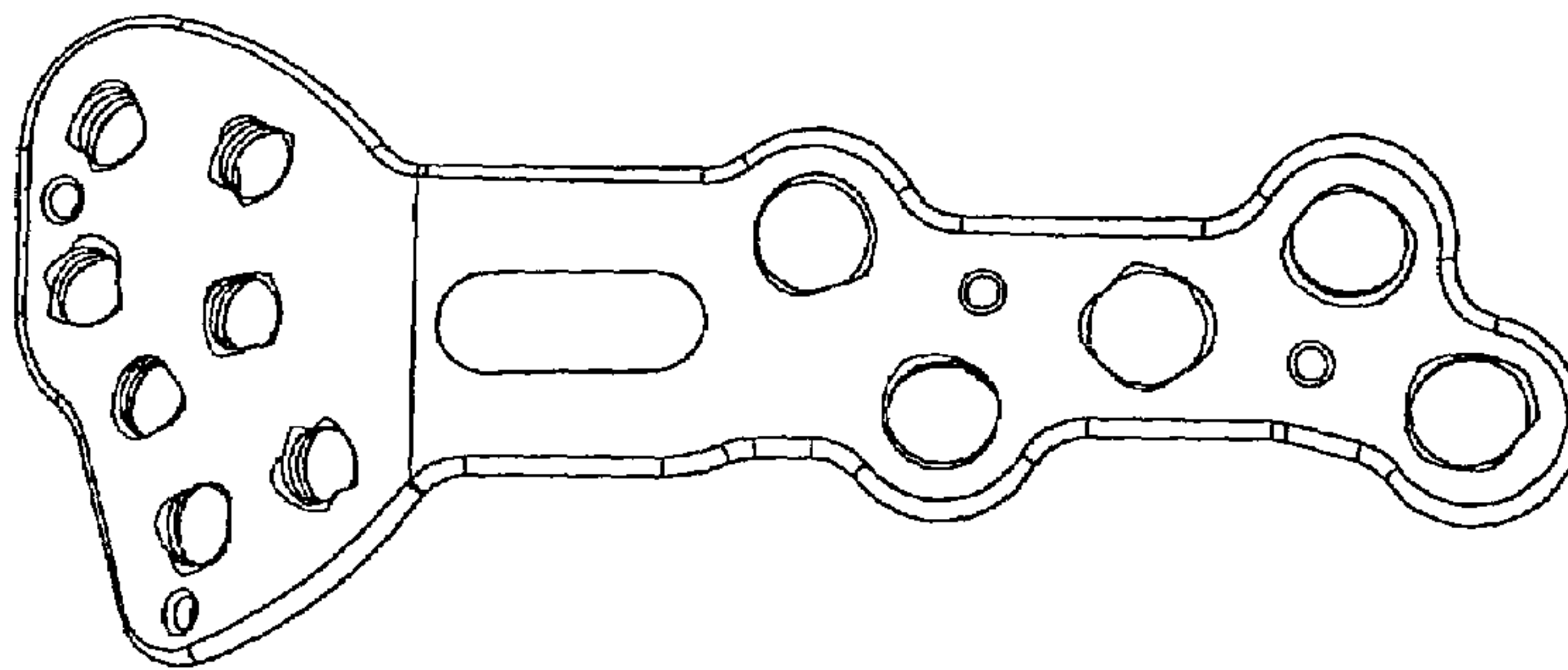


FIG. -3

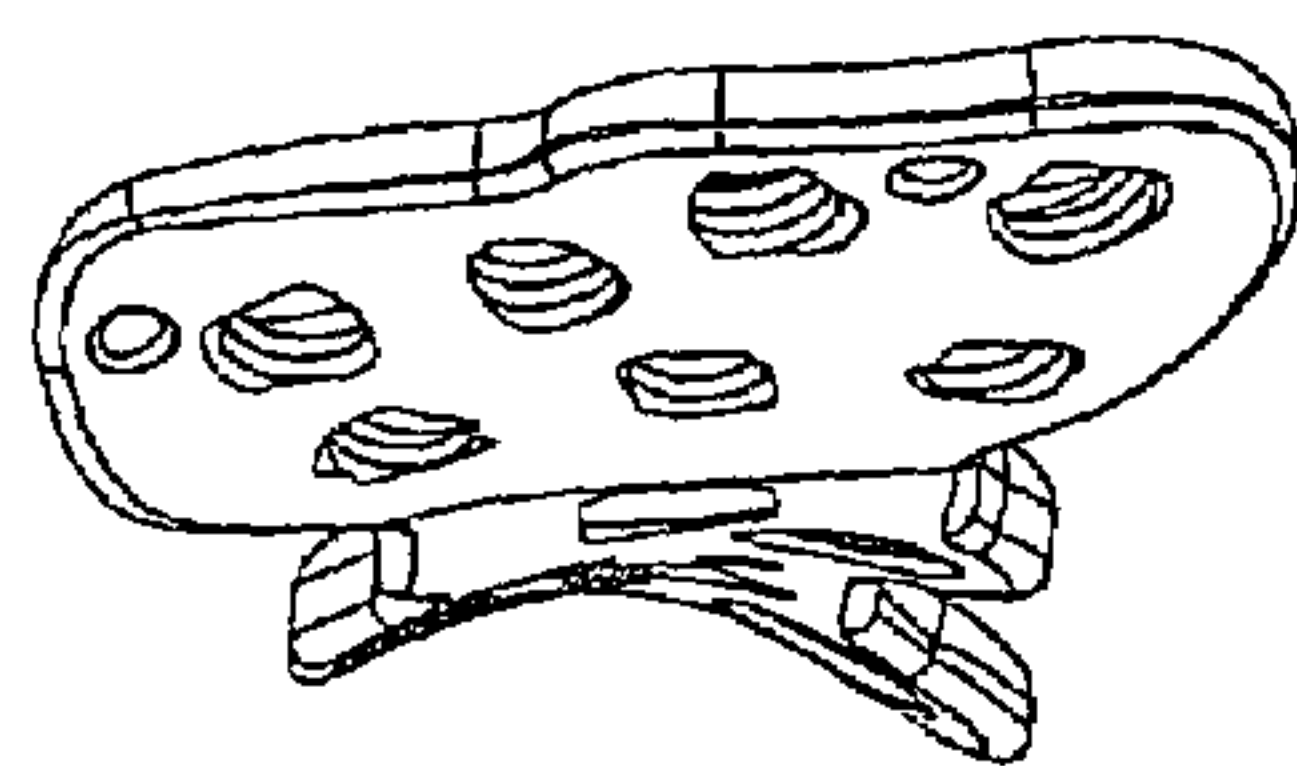


FIG. -4

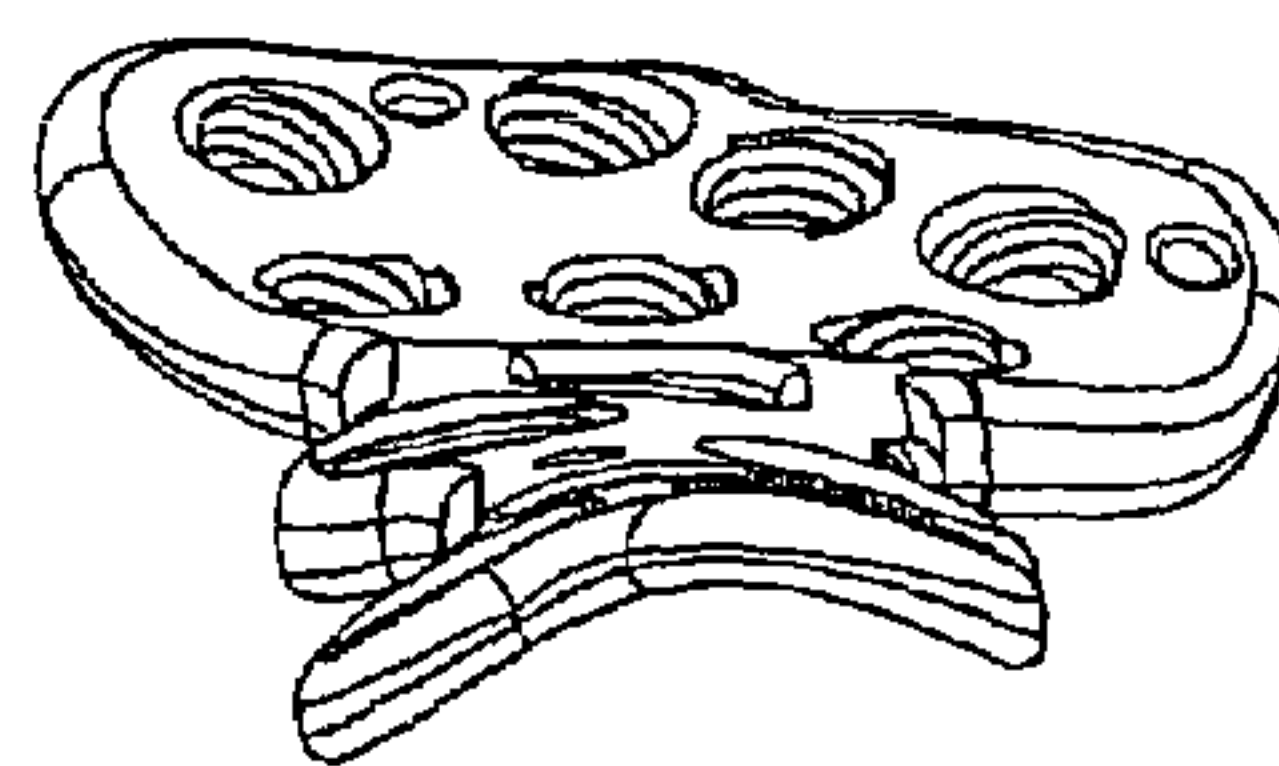


FIG. -5

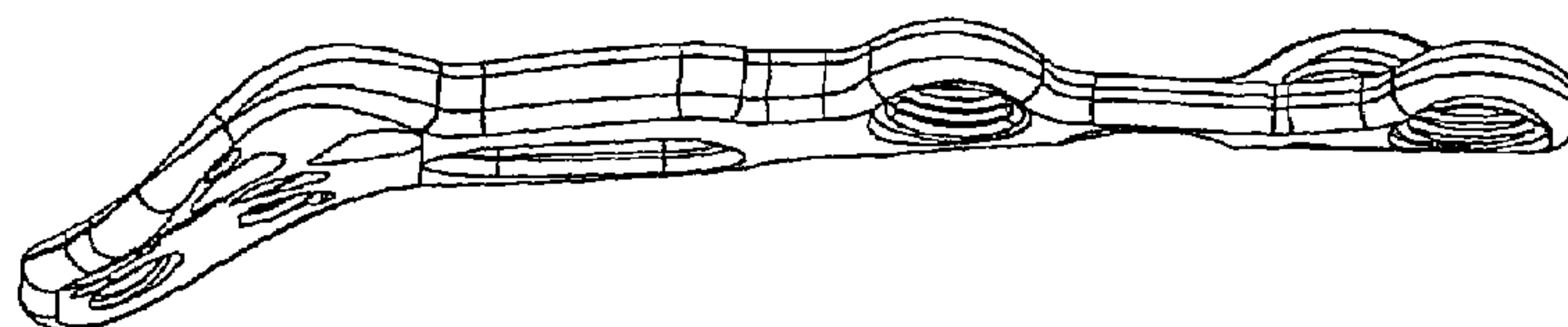


FIG. -6



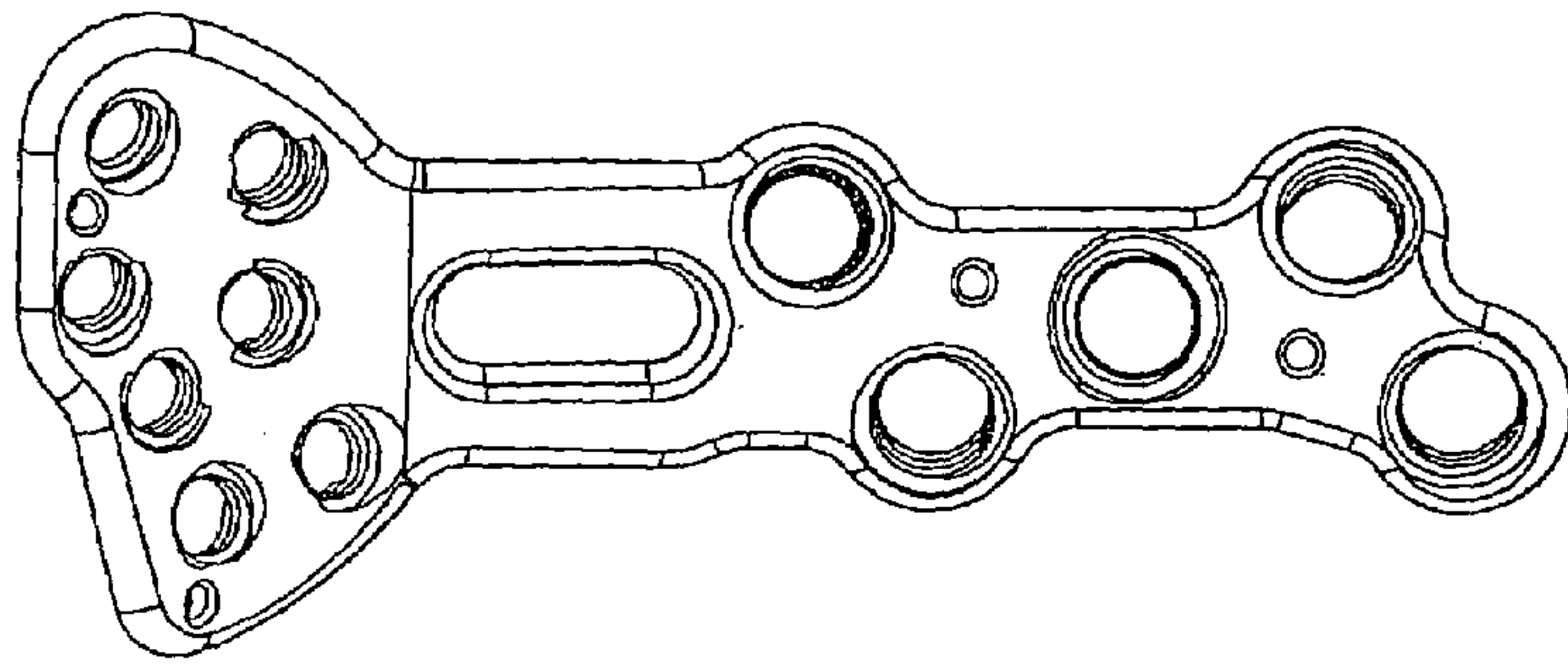


FIG. - 8

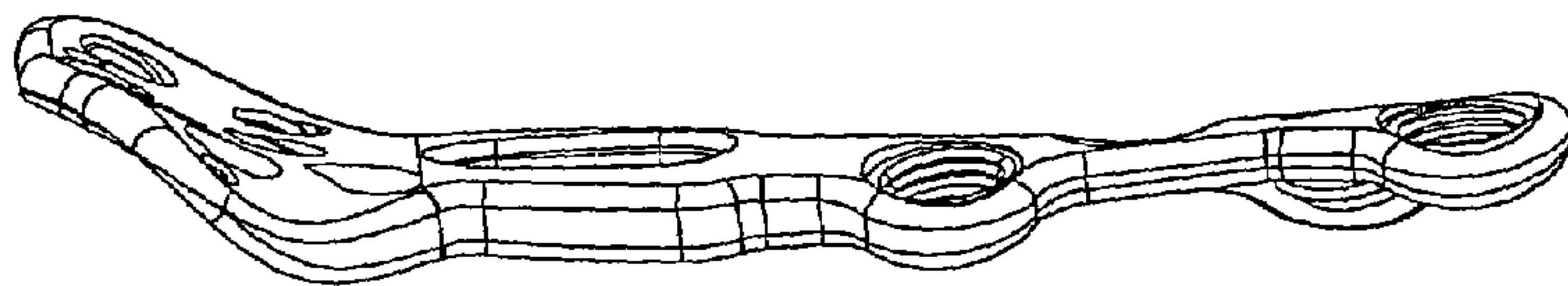


FIG. - 7

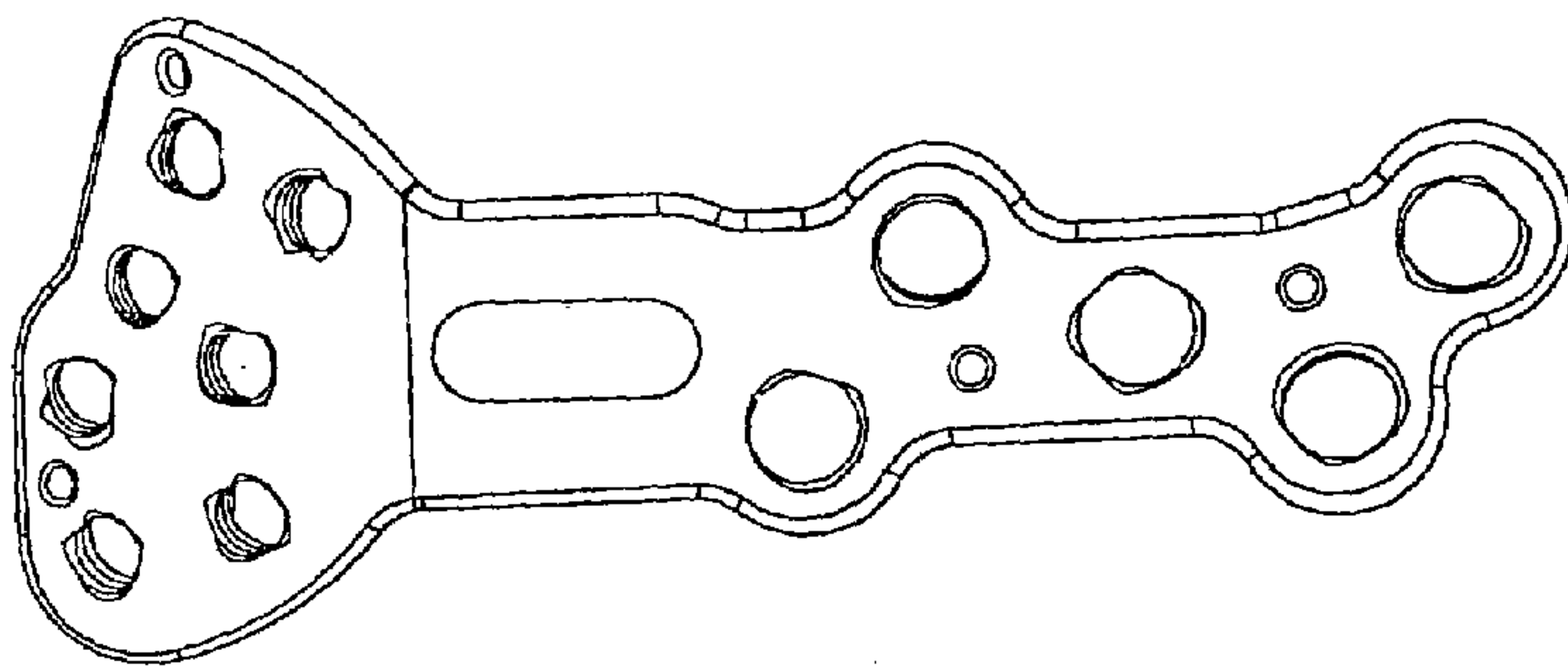


FIG. - 9

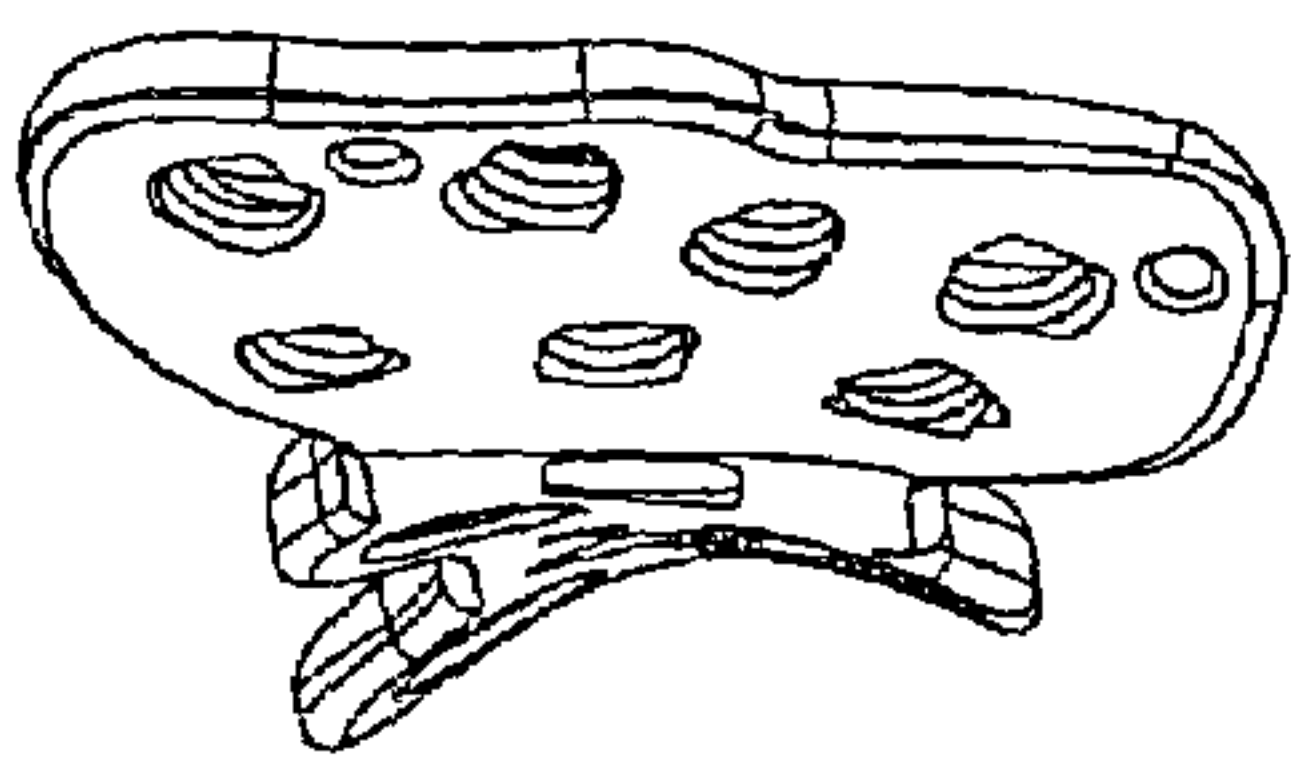


FIG. - 10

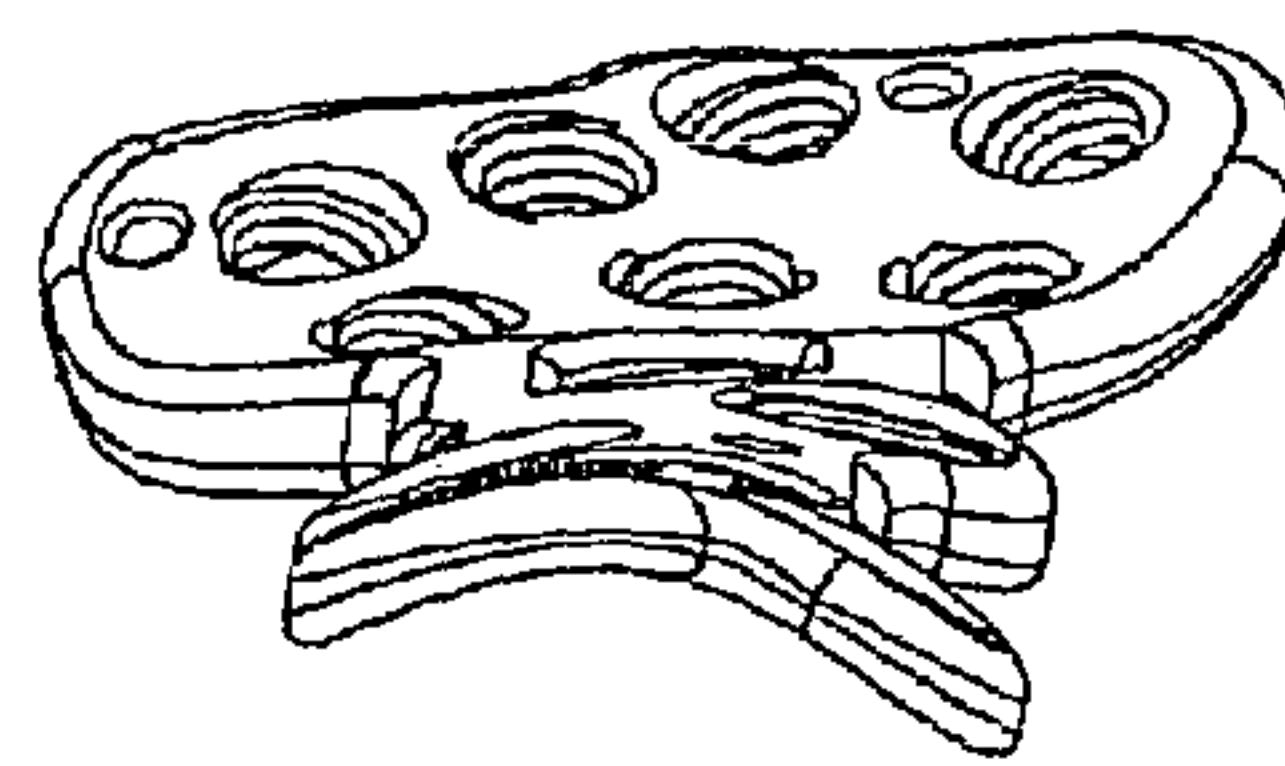


FIG. - 11

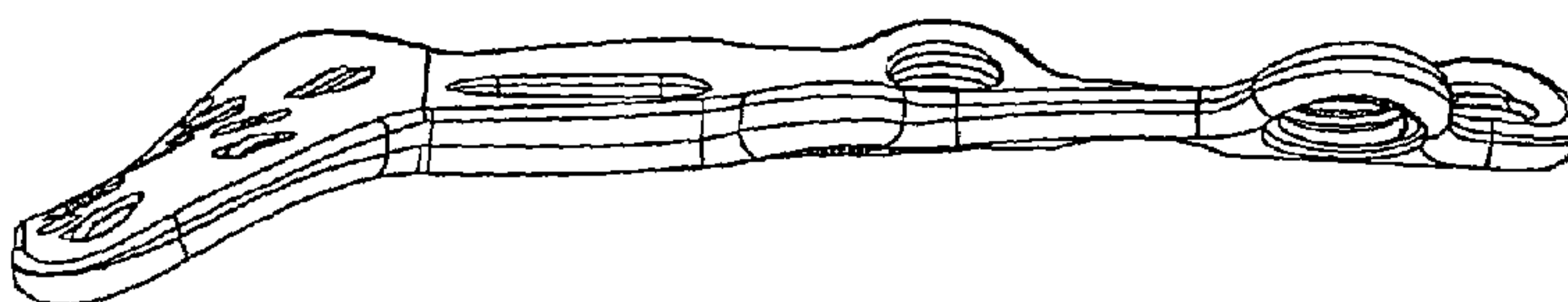


FIG. - 12

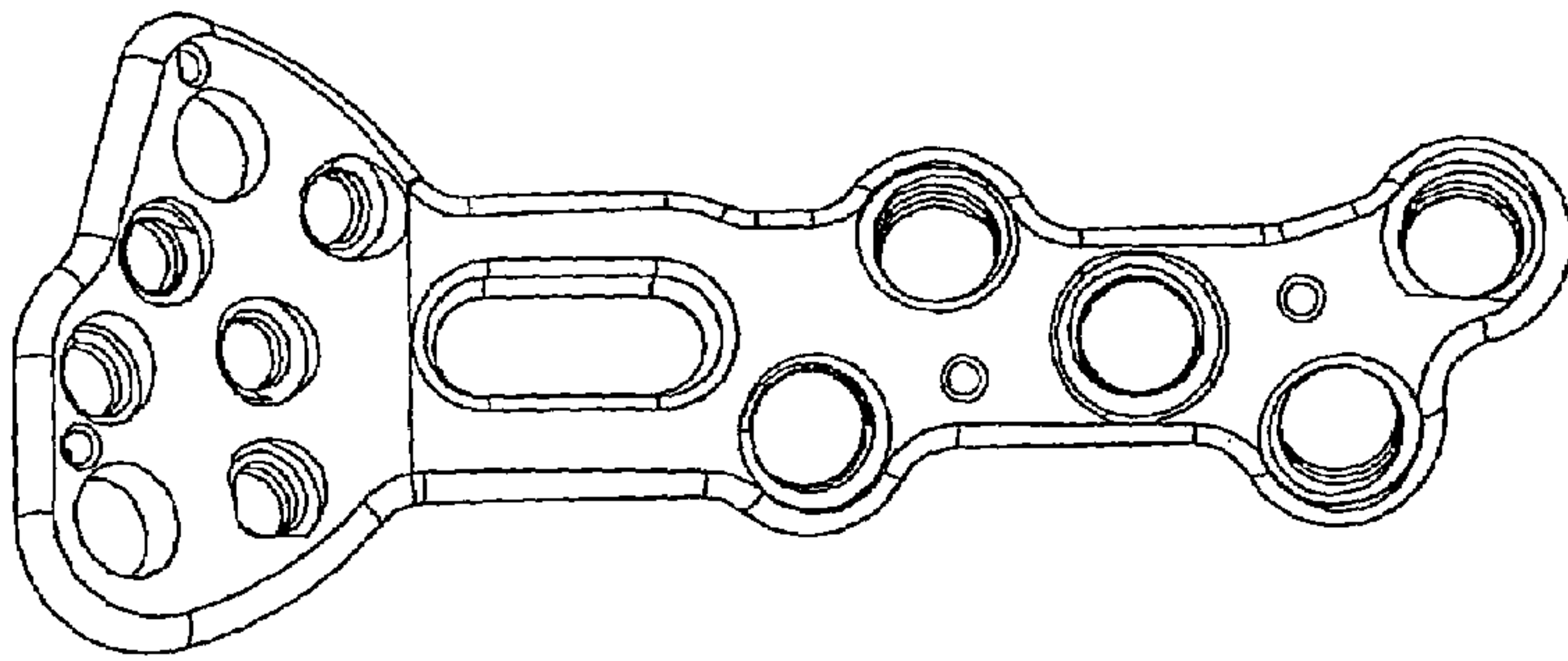


FIG. - 14

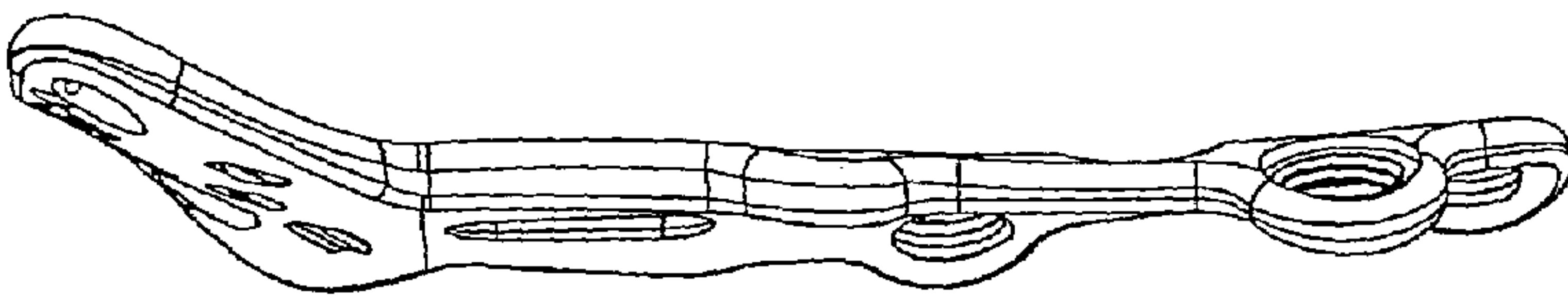


FIG. - 13

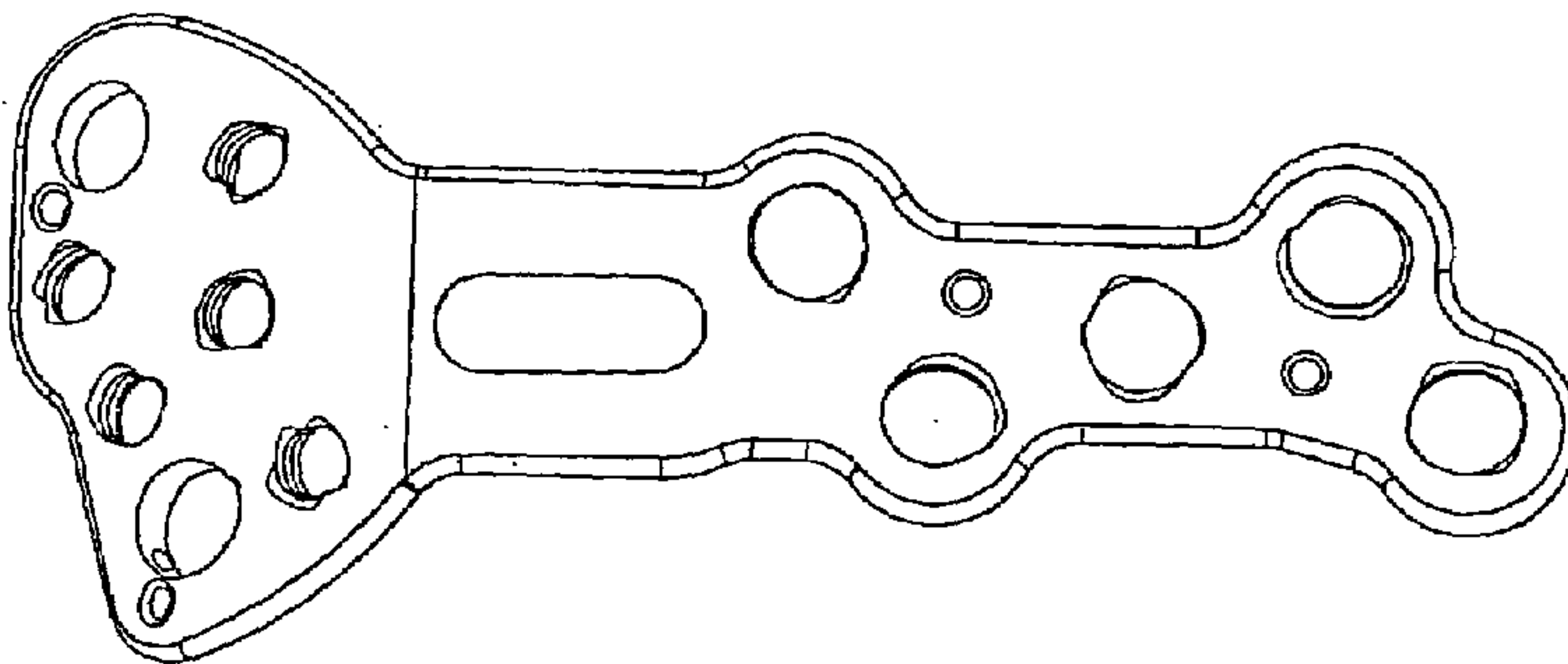


FIG. - 15

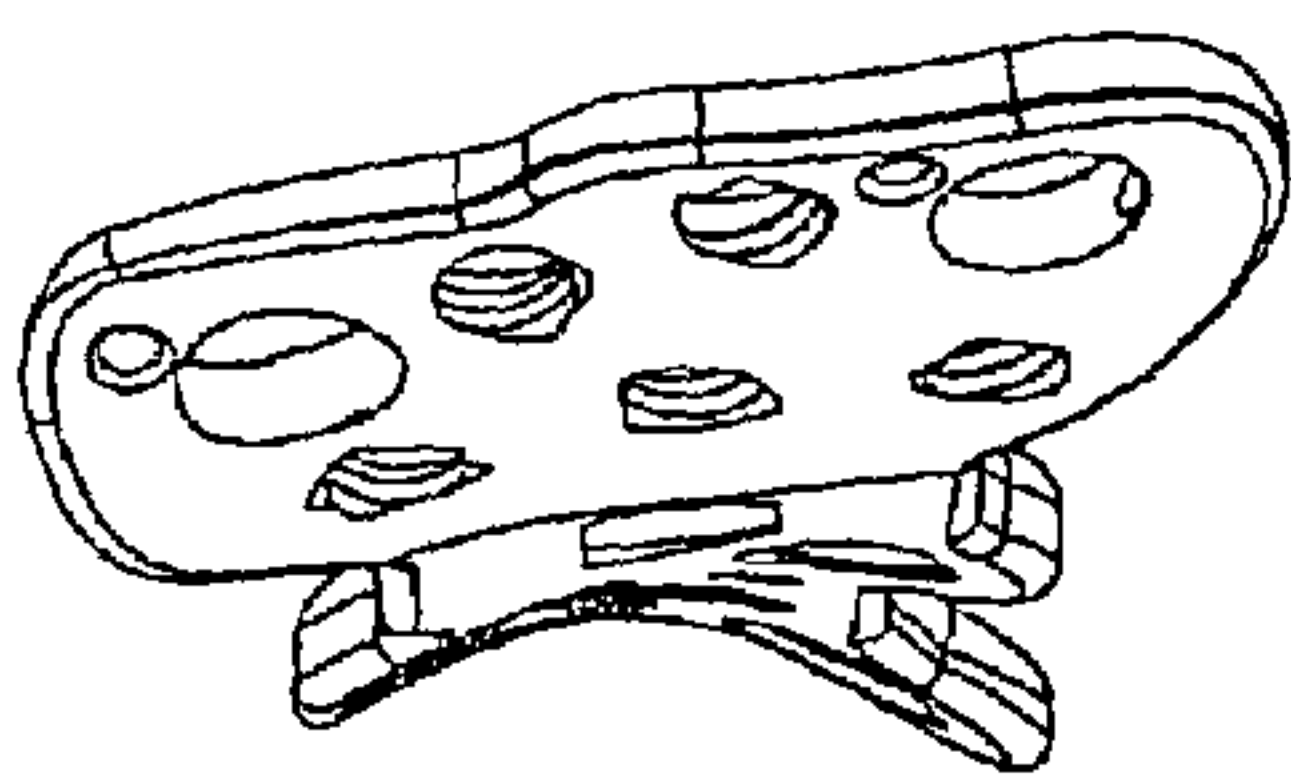


FIG. - 16

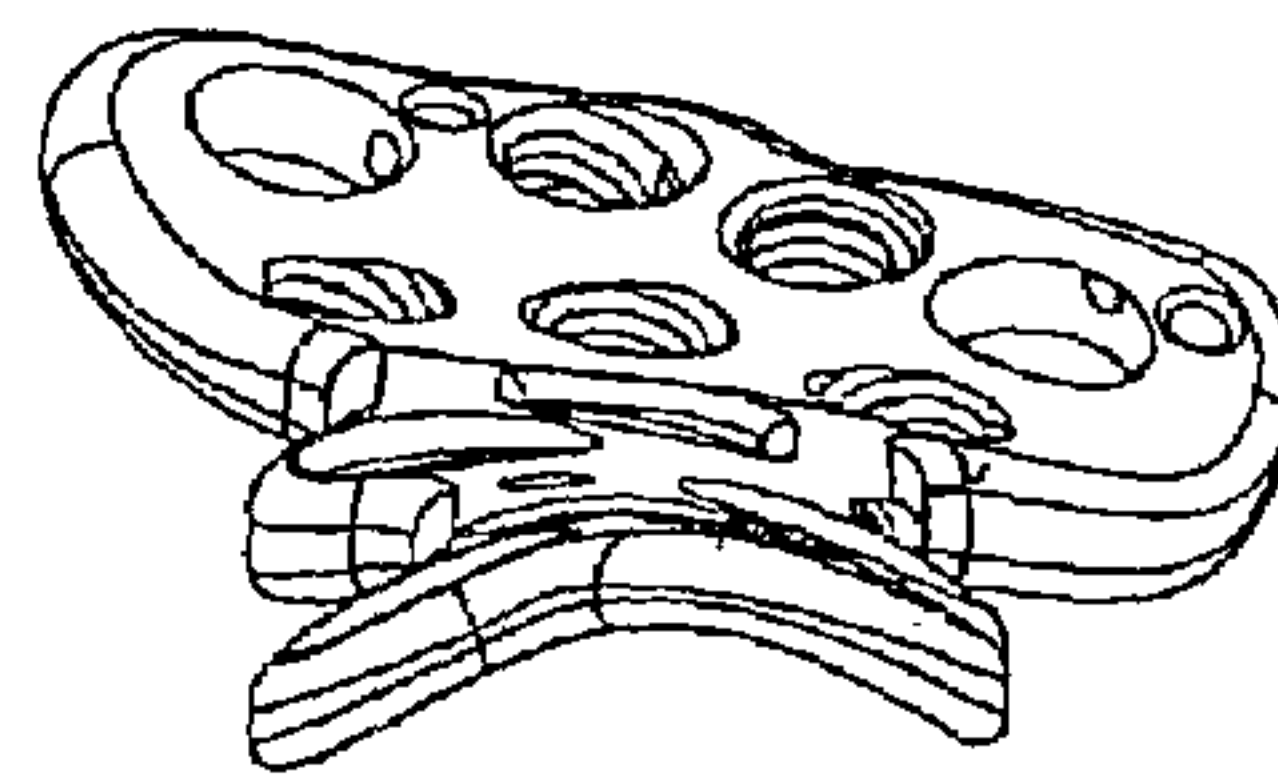


FIG. - 17

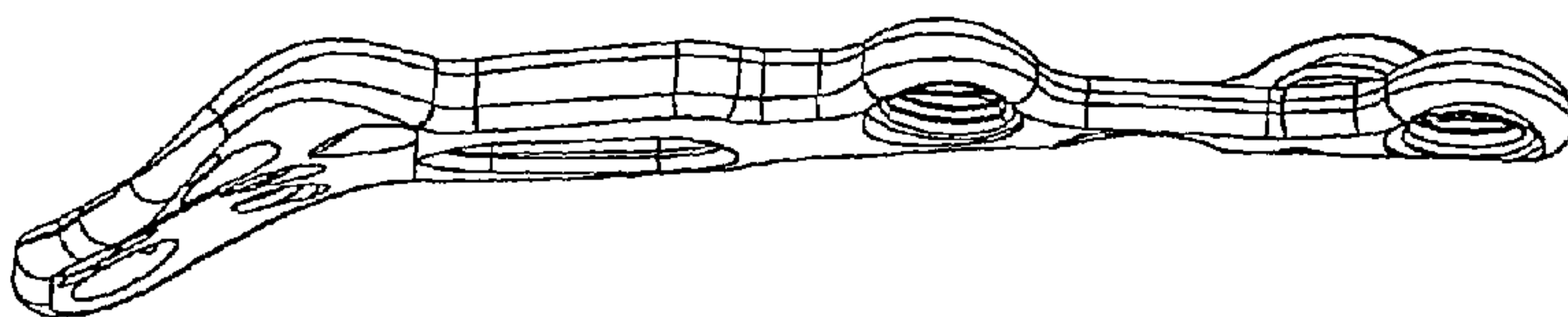


FIG. - 18

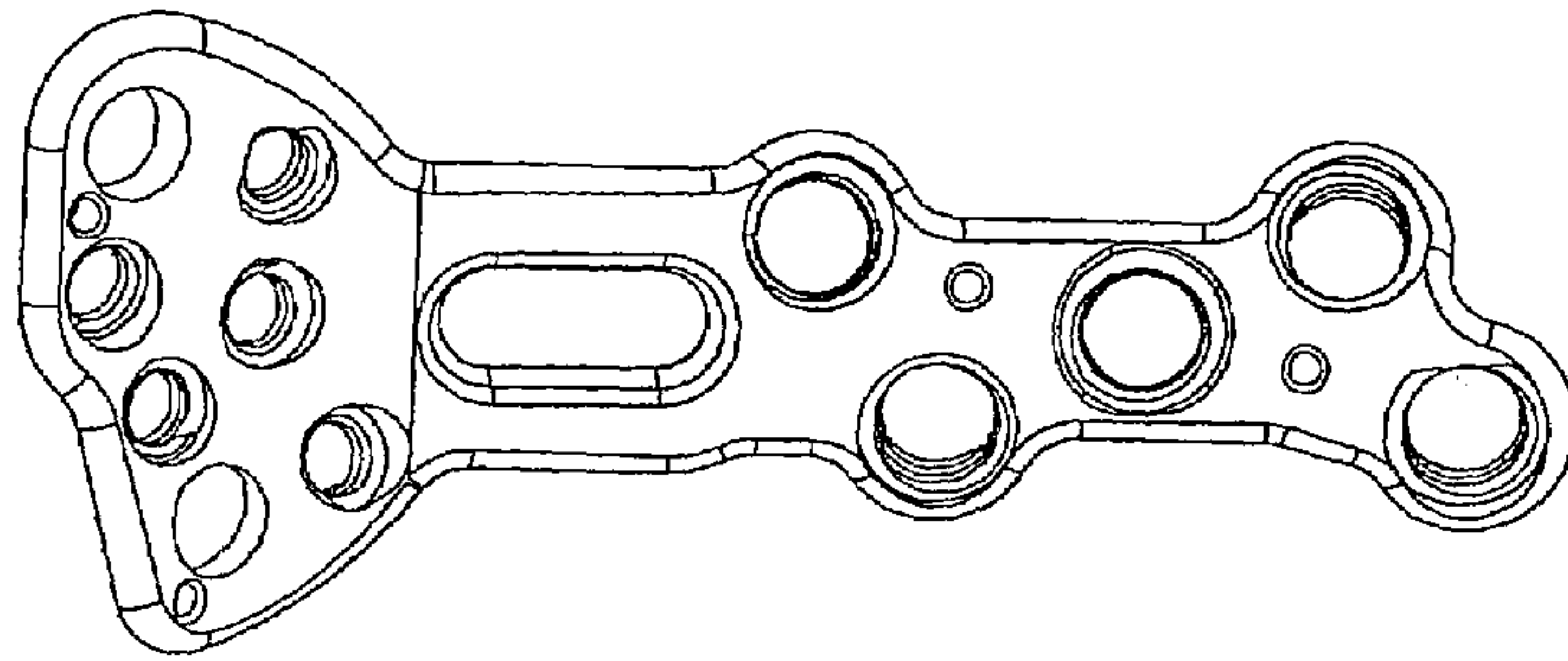


FIG. - 20

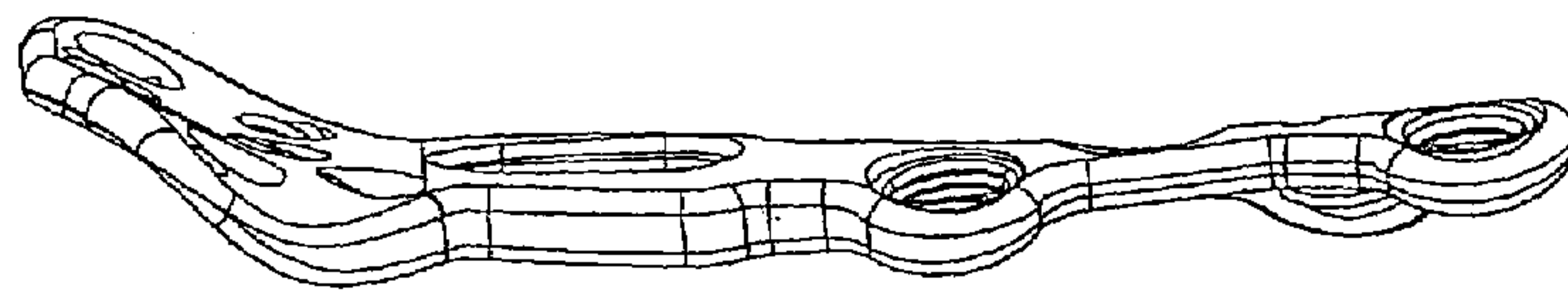


FIG. - 19

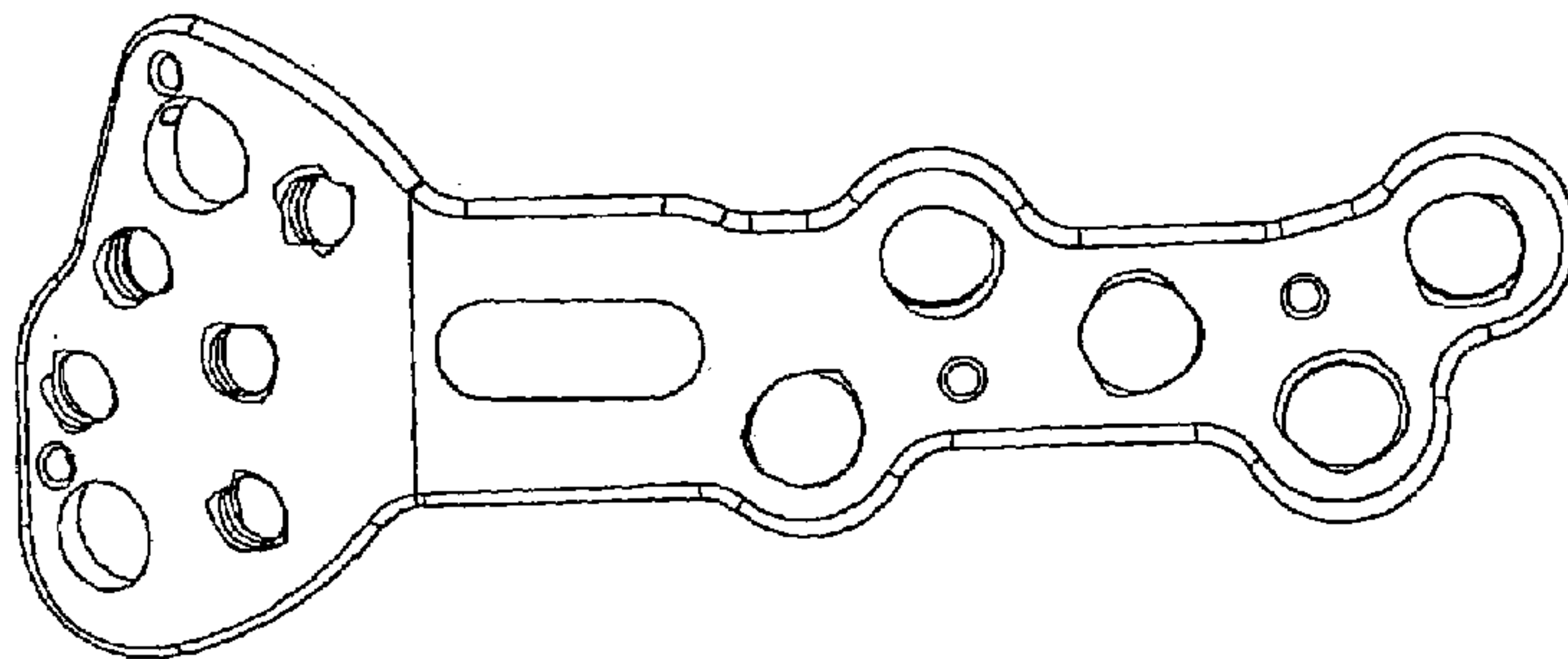


FIG. - 21

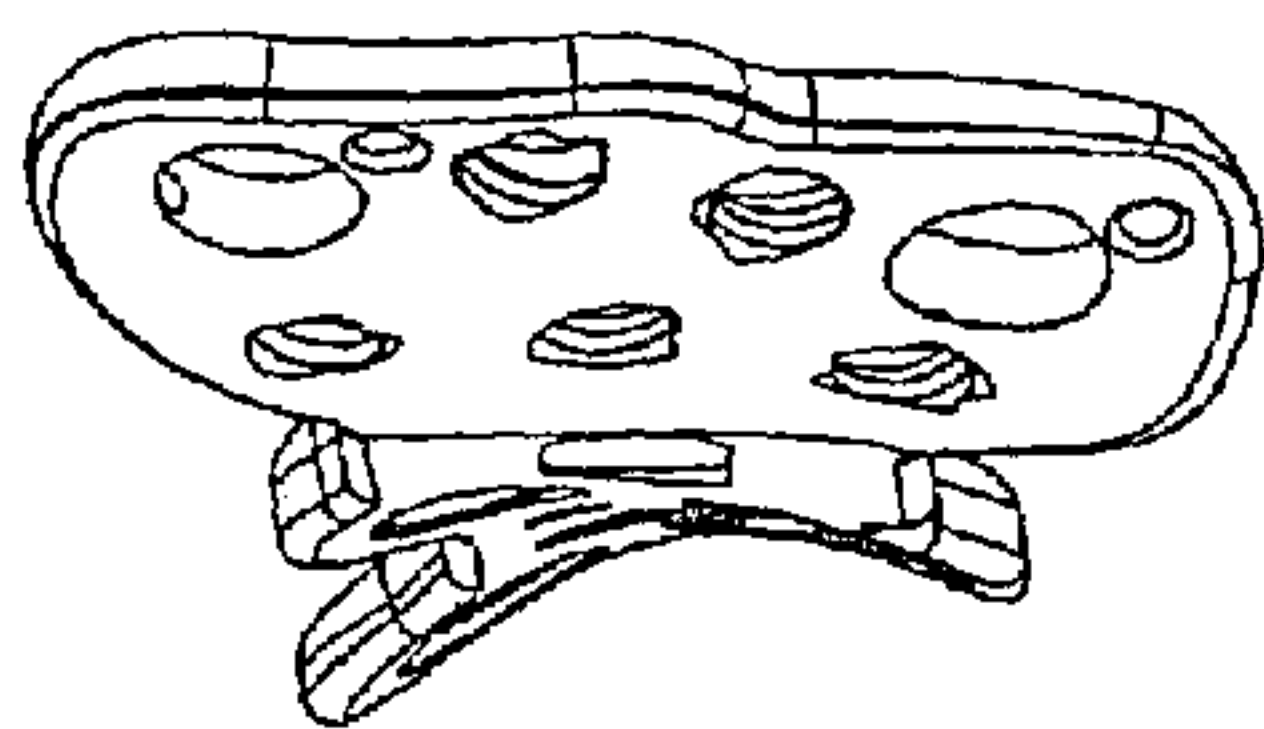


FIG. - 22

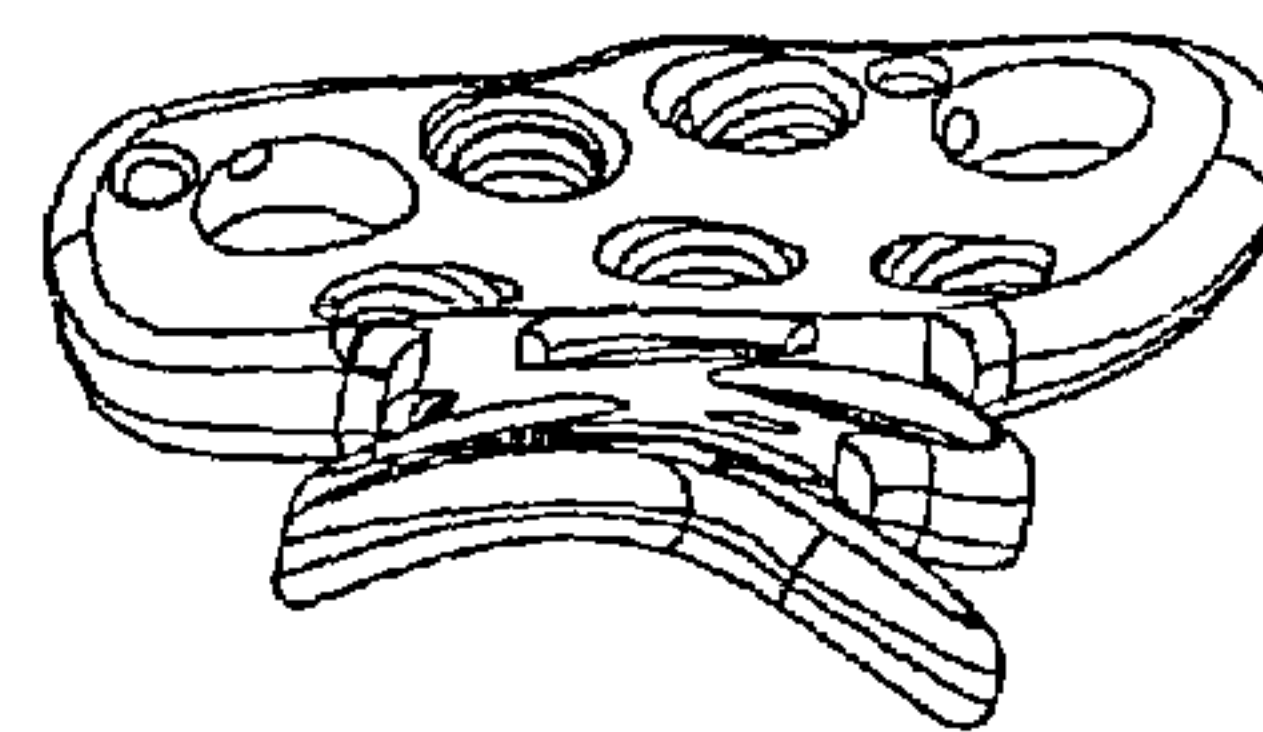


FIG. - 23

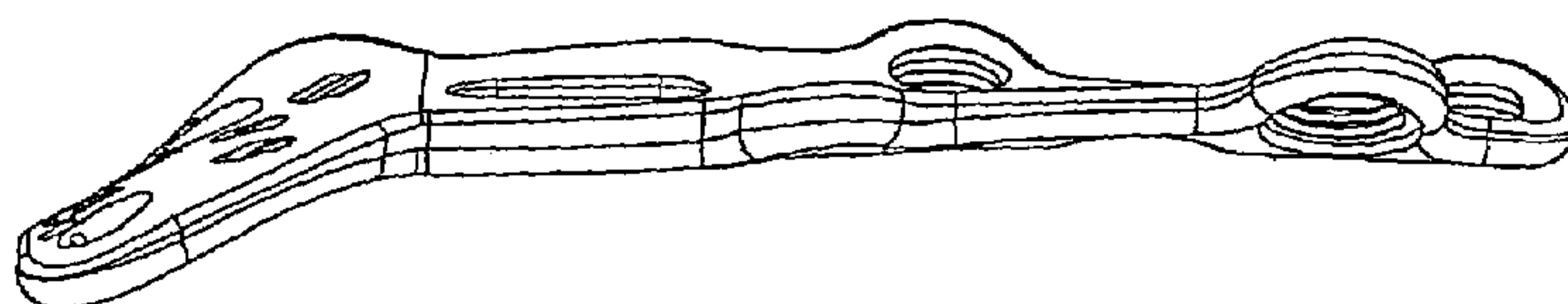


FIG. - 24