

US00D589146S

(12) **United States Design Patent**  
**Yasuda**

(10) **Patent No.:** **US D589,146 S**  
(45) **Date of Patent:** **\*\* Mar. 24, 2009**

(54) **TONGUE DEPRESSOR**

(75) Inventor: **Kiyoshi Yasuda**, 9, Higashi 2-chome,  
Tatsumidai, Ishihara-shi, Chiba-ken (JP)

(73) Assignees: **Fine Co., Ltd.**, Tokyo (JP); **Kiyoshi Yasuda**, Chiba-ken (JP)

(\*\*) Term: **14 Years**

(21) Appl. No.: **29/291,854**

(22) Filed: **Sep. 18, 2007**

**Related U.S. Application Data**

(63) Continuation of application No. 10/689,353, filed on Oct. 20, 2003, now abandoned.

(30) **Foreign Application Priority Data**

Apr. 9, 2003 (JP) ..... 2003-137970

(51) **LOC (9) Cl.** ..... **24-02**

(52) **U.S. Cl.** ..... **D24/136**

(58) **Field of Classification Search** ..... D24/136,  
D24/133, 147; 433/140, 141, 29, 114; 600/240,  
600/190, 192, 213; 604/77  
See application file for complete search history.

(56) **References Cited**

**U.S. PATENT DOCUMENTS**

3,867,927 A \* 2/1975 Hergott ..... 600/202  
3,971,370 A \* 7/1976 Halford et al. .... 128/861  
4,807,599 A \* 2/1989 Robinson et al. .... 600/212

D305,797 S \* 1/1990 Robinson et al. .... D24/136  
4,996,976 A \* 3/1991 Nakagawa ..... 600/212  
5,318,009 A \* 6/1994 Robinson ..... 600/241  
D357,533 S \* 4/1995 Robinson ..... D24/136  
5,897,492 A \* 4/1999 Feller et al. .... 600/240  
6,332,776 B1 \* 12/2001 Martin et al. .... 433/140  
D502,263 S \* 2/2005 Feller et al. .... D24/136  
2004/0204631 A1 \* 10/2004 Yasuda ..... 600/199  
2006/0036133 A1 \* 2/2006 Demsky ..... 600/240

\* cited by examiner

*Primary Examiner*—Ian Simmons

*Assistant Examiner*—Wan Laymon

(74) *Attorney, Agent, or Firm*—Jordan and Hamburg LLP

(57) **CLAIM**

The ornamental design for a tongue depressor, as shown and described.

**DESCRIPTION**

FIG. 1 is a perspective view of a tongue depressor showing my new design;

FIG. 2 is a right side elevational view thereof;

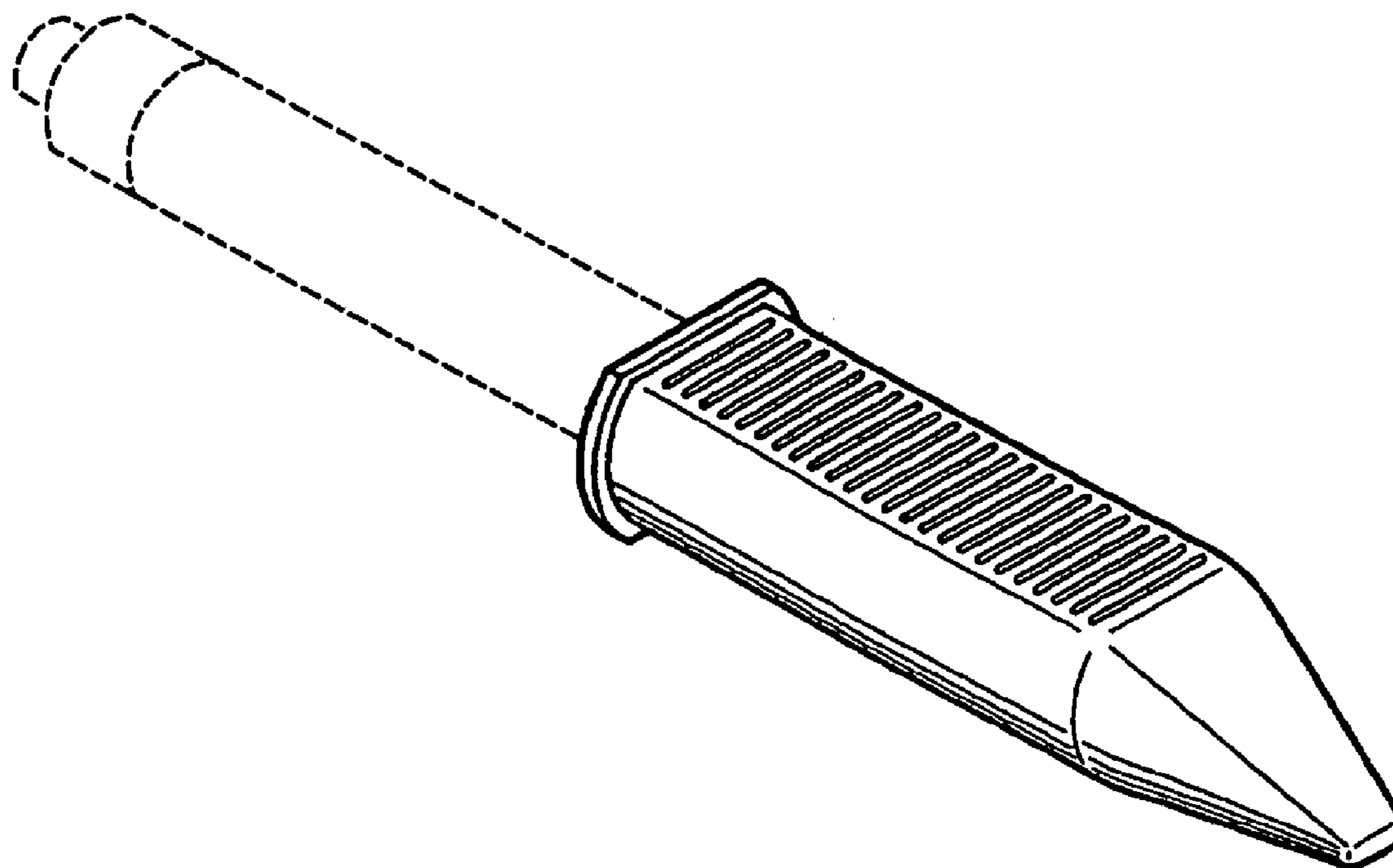
FIG. 3 is a bottom plan view thereof;

FIG. 4 is a top plan view thereof; and,

FIG. 5 is a front elevational view thereof.

The broken lines showing the handle portion of the tongue depressor are for illustrative purposes only and form no part of the claimed design.

**1 Claim, 1 Drawing Sheet**



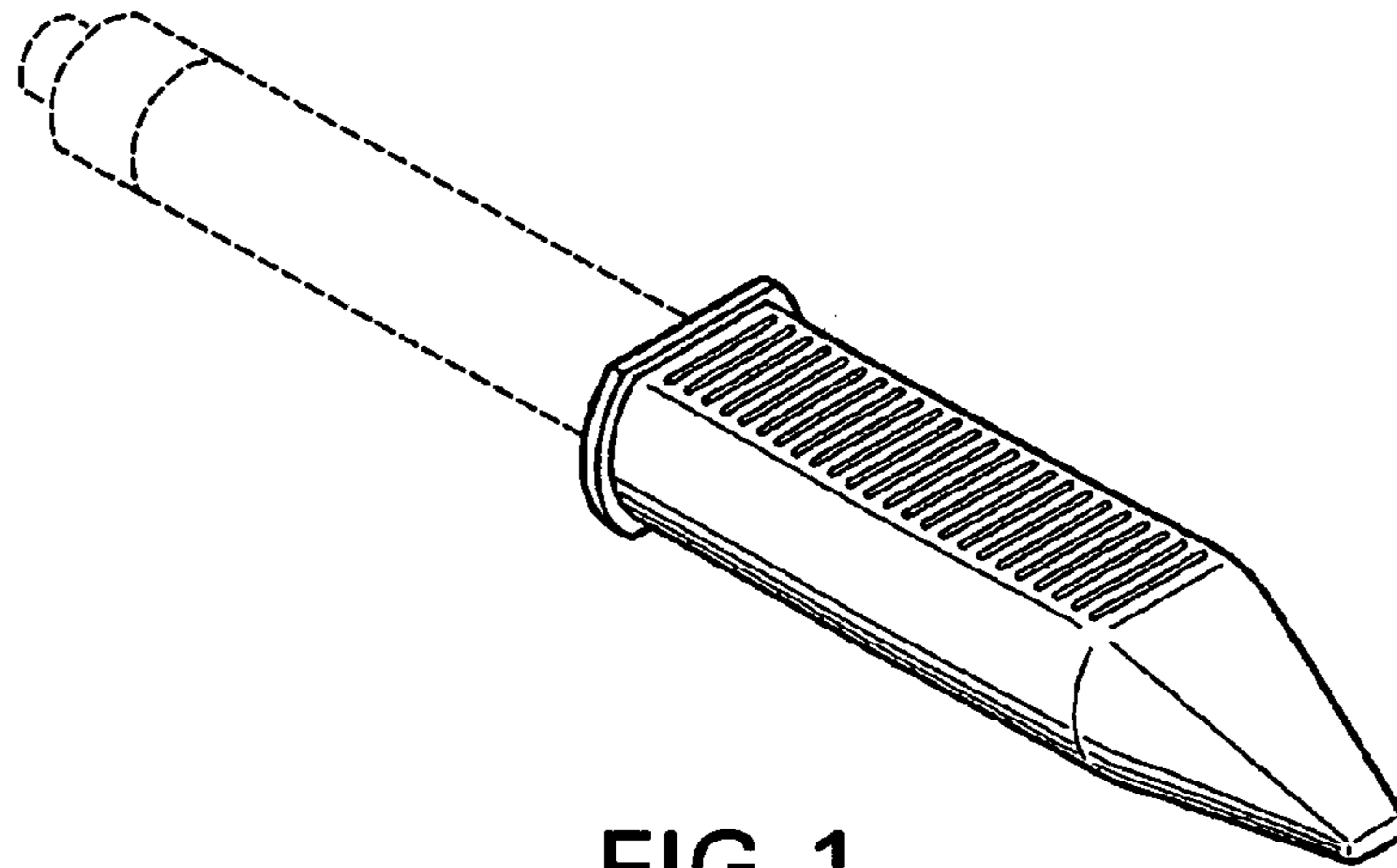


FIG. 1

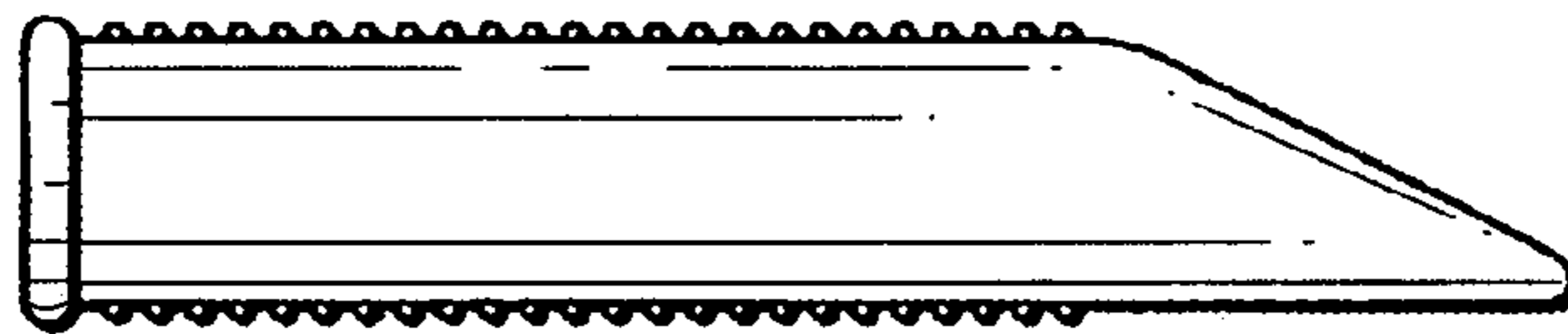


FIG. 2

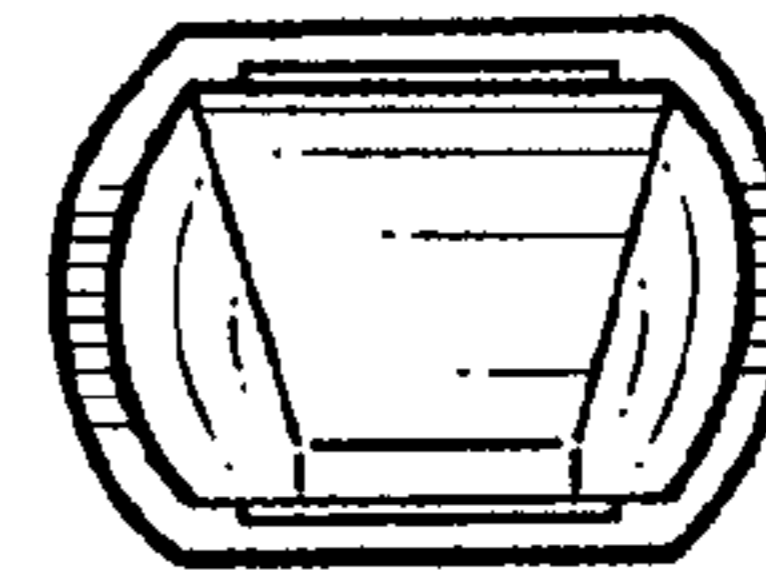


FIG. 5

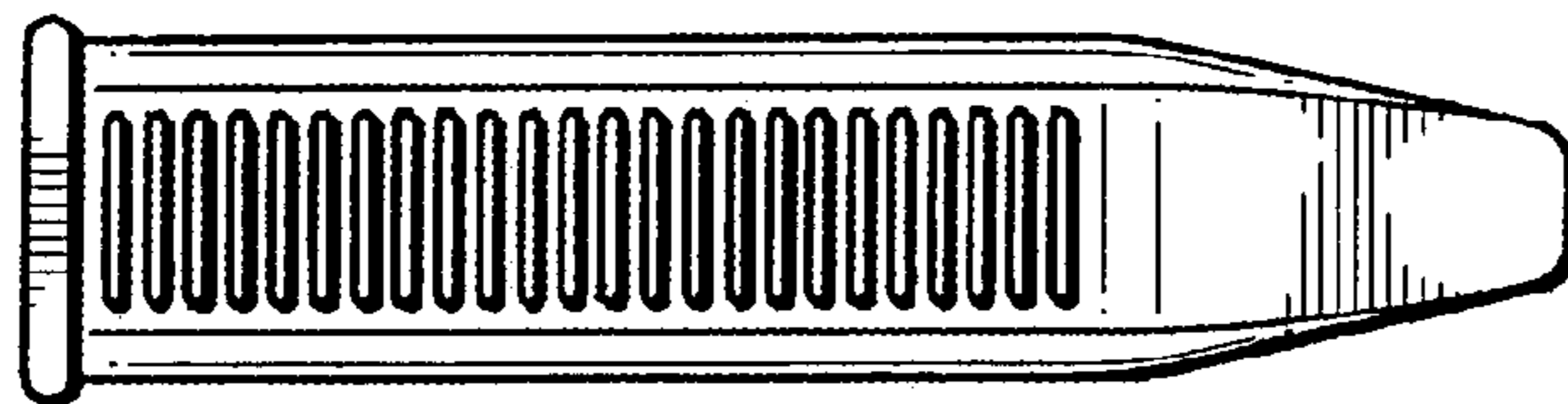


FIG. 3

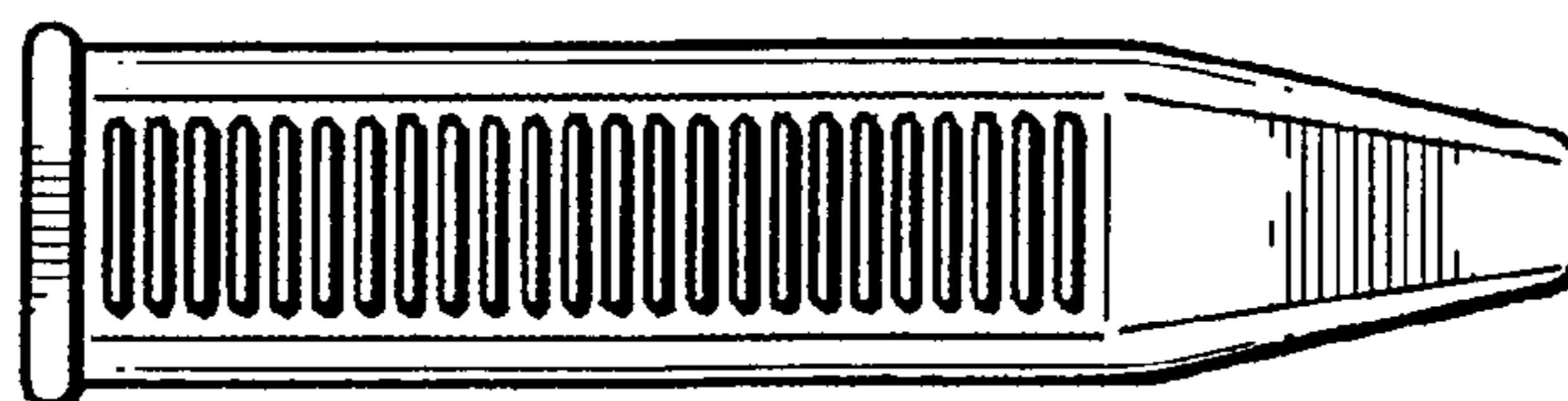


FIG. 4