



US00D589144S

(12) **United States Design Patent**
Bagha et al.

(10) **Patent No.:** **US D589,144 S**
(45) **Date of Patent:** **** Mar. 24, 2009**

(54) **MEDICAL DEVICE**

(76) Inventors: **Merat Bagha**, 7971 NW. Blue Pointe La., Portland, OR (US) 97229; **Kim Porter Henneman**, 1914 NE. 50th Ave., Portland, OR (US) 97213; **I-Chiang Sun**, 3808 SW. Troy St., Portland, OR (US) 97219

(**) Term: **14 Years**

(21) Appl. No.: **29/273,940**

(22) Filed: **Mar. 15, 2007**

(51) **LOC (9) Cl.** **24-02**

(52) **U.S. Cl.** **D24/134**

(58) **Field of Classification Search** D24/134;
181/131-132, 136-167, 133, 67; 600/454,
600/453, 500, 527-528

See application file for complete search history.

(56) **References Cited**

U.S. PATENT DOCUMENTS

- 3,858,005 A 12/1974 Marshall et al.
- 4,248,241 A 2/1981 Tacchi
- 4,254,302 A * 3/1981 Walshe 381/67
- 4,528,690 A * 7/1985 Sedgwick 381/67
- 4,723,555 A 2/1988 Shue
- 4,770,189 A 9/1988 Shyu
- 4,777,961 A 10/1988 Saltzman
- 4,783,813 A * 11/1988 Kempka 381/67
- 4,878,501 A 11/1989 Shue
- 4,940,023 A * 7/1990 Shue 600/528
- 4,972,841 A 11/1990 Iguchi
- 5,010,889 A * 4/1991 Bredesen et al. 600/528
- 5,025,809 A 6/1991 Johnson et al.
- 5,027,825 A 7/1991 Phelps, Sr. et al.
- 5,204,500 A 4/1993 Dufresne et al.

- 5,218,969 A 6/1993 Bredesen et al.
- 5,347,583 A * 9/1994 Dieken et al. 381/67
- 5,360,005 A 11/1994 Wilk

(Continued)

FOREIGN PATENT DOCUMENTS

DE 10132759 1/2003

(Continued)

Primary Examiner—Stella M. Reid
Assistant Examiner—Wan Laymon
(74) *Attorney, Agent, or Firm*—Northwest IP Law Group, LLC

(57) **CLAIM**

The ornamental design for a medical device, as shown and described.

DESCRIPTION

FIG. 1 is an isometric view of a medical device showing our new design;

FIG. 2 is a top view thereof;

FIG. 3 is a bottom view thereof;

FIG. 4 is a left side view thereof;

FIG. 5 is a right side view thereof;

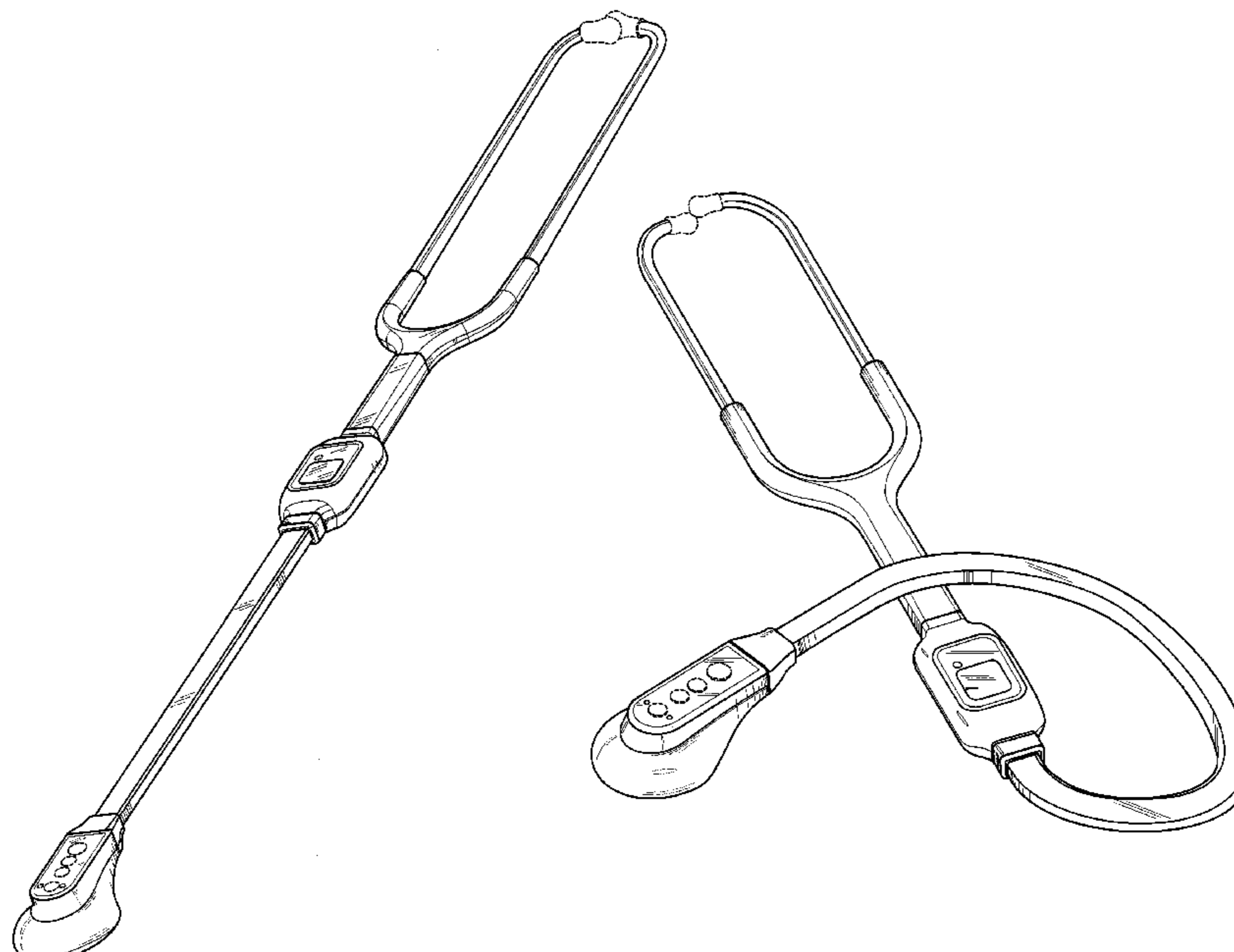
FIG. 6 is a front end view thereof;

FIG. 7 is a rear end view thereof; and,

FIG. 8 is an isometric view of the medical device of FIG. 1 showing a tube portion in an alternate position.

Elements illustrated in the drawing figures using broken lines illustrate intended environmental components and do not constitute part of the claimed design.

1 Claim, 3 Drawing Sheets



US D589,144 S

Page 2

U.S. PATENT DOCUMENTS

5,663,532 A 9/1997 Dieken et al.
D389,576 S * 1/1998 Grasfield et al. D24/134
5,717,769 A 2/1998 Williams
5,737,429 A 4/1998 Lee
5,812,678 A 9/1998 Scalise et al.
5,825,895 A 10/1998 Grasfield et al.
5,844,995 A 12/1998 Williams
5,909,495 A 6/1999 Andrea
6,002,777 A 12/1999 Grasfield et al.
6,005,951 A 12/1999 Grasfield et al.
6,210,344 B1 * 4/2001 Perin et al. 600/528
6,342,038 B1 * 1/2002 Carrasquillo 600/500
6,344,025 B1 2/2002 Inagaki et al.
6,396,931 B1 5/2002 Malilay
6,533,736 B1 3/2003 Moore
6,540,673 B2 4/2003 Gopinathan et al.
6,544,198 B2 4/2003 Chong et al.
6,757,392 B1 6/2004 Granzotto et al.
6,852,084 B1 2/2005 Boesen
7,044,922 B1 * 5/2006 Dondysh 600/586
7,319,762 B2 * 1/2008 Andrea et al. 381/74
2001/0030077 A1 10/2001 Watson
2001/0050992 A1 12/2001 Carman
2002/0071570 A1 6/2002 Cohen et al.
2002/0085724 A1 7/2002 Grasfield et al.
2003/0002685 A1 1/2003 Werblud
2003/0102983 A1 6/2003 Hsieh Hung
2003/0208130 A1 11/2003 Yotam et al.

2004/0037429 A1 2/2004 Candioly
2004/0076303 A1 4/2004 Vyshedskiy et al.
2004/0092846 A1 5/2004 Watrous
2004/0096069 A1 5/2004 Chien
2004/0157612 A1 8/2004 Kim
2004/0220487 A1 11/2004 Vyshedskiy et al.
2004/0220488 A1 11/2004 Vyshedskiy et al.
2004/0223621 A1 11/2004 Orten
2004/0225476 A1 11/2004 Tien
2004/0249298 A1 12/2004 Selevan
2005/0043642 A1 2/2005 Sauerland
2005/0070811 A1 3/2005 Crowley
2005/0074130 A1 4/2005 Brummel et al.
2005/0083194 A1 4/2005 Shen
2005/0090755 A1 4/2005 Guion et al.
2005/0101843 A1 5/2005 Quinn et al.
2005/0119584 A1 6/2005 Carter
2005/0157887 A1 7/2005 Kim
2005/0157888 A1 7/2005 Yang
2005/0165310 A1 7/2005 Bindefeld
2005/0203349 A1 9/2005 Nanikashvili
2008/0013747 A1 * 1/2008 Tran 381/67

FOREIGN PATENT DOCUMENTS

FR 2768323 3/1999
JP 53149352 12/1978
JP 2004081250 3/2004
JP 2004261264 9/2004

* cited by examiner

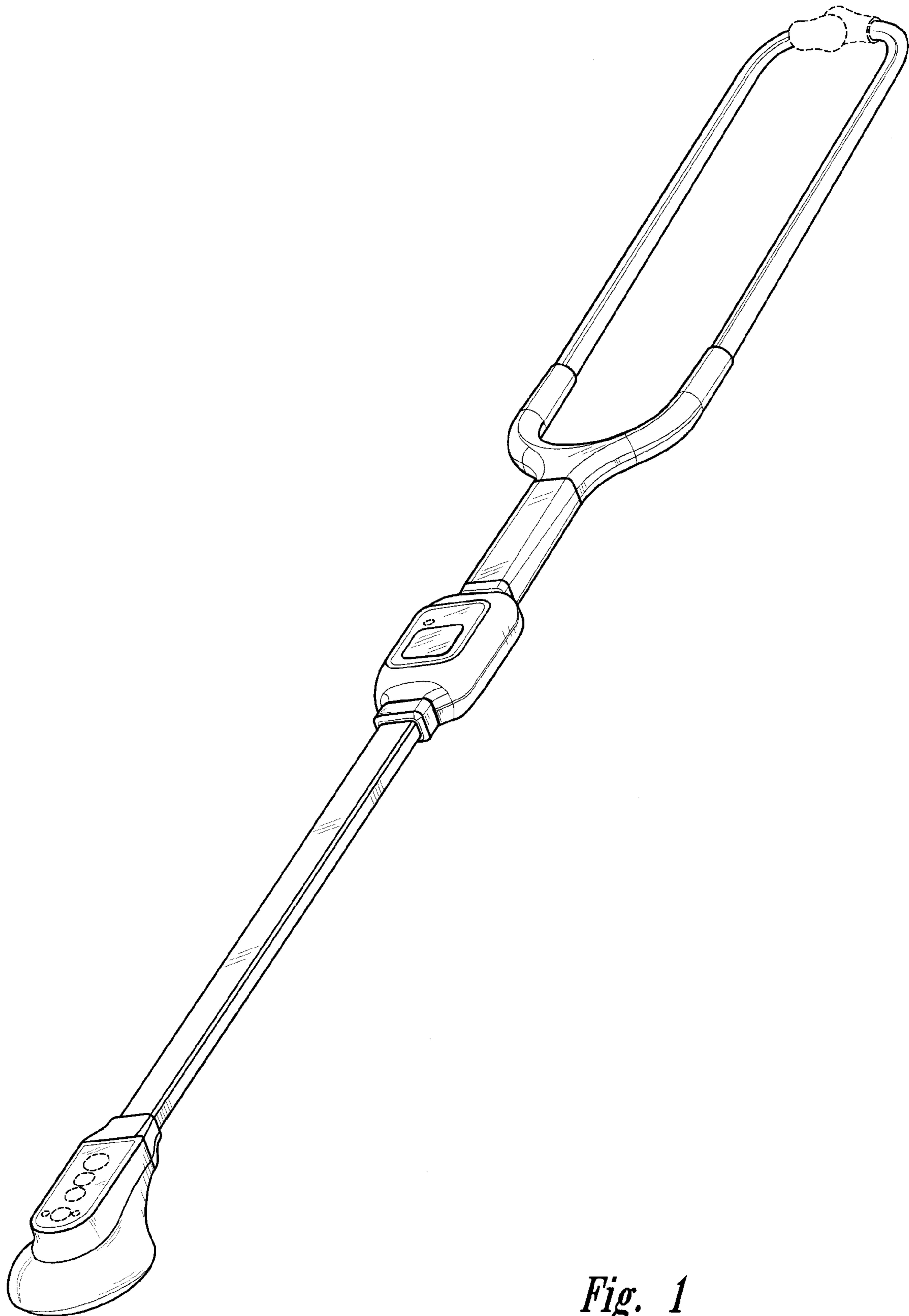


Fig. 1

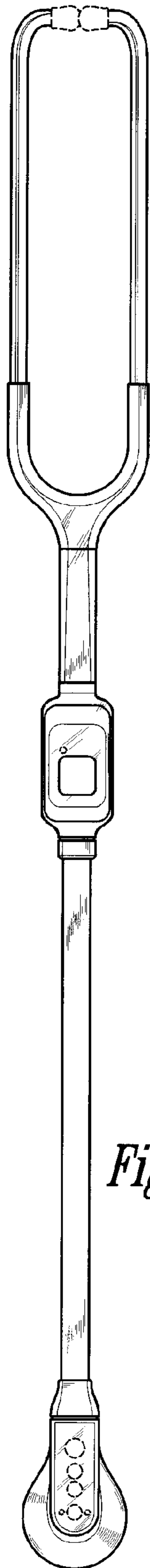


Fig. 2

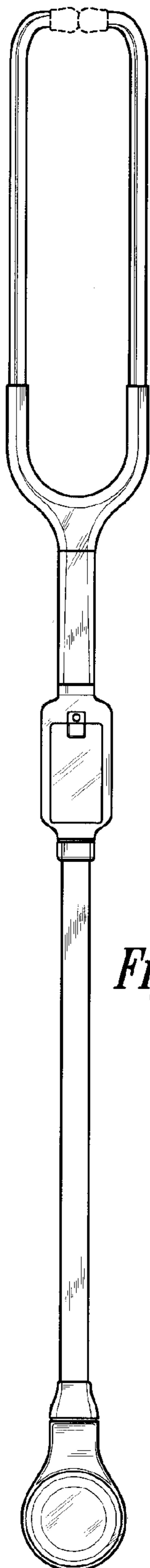


Fig. 3



Fig. 4



Fig. 5

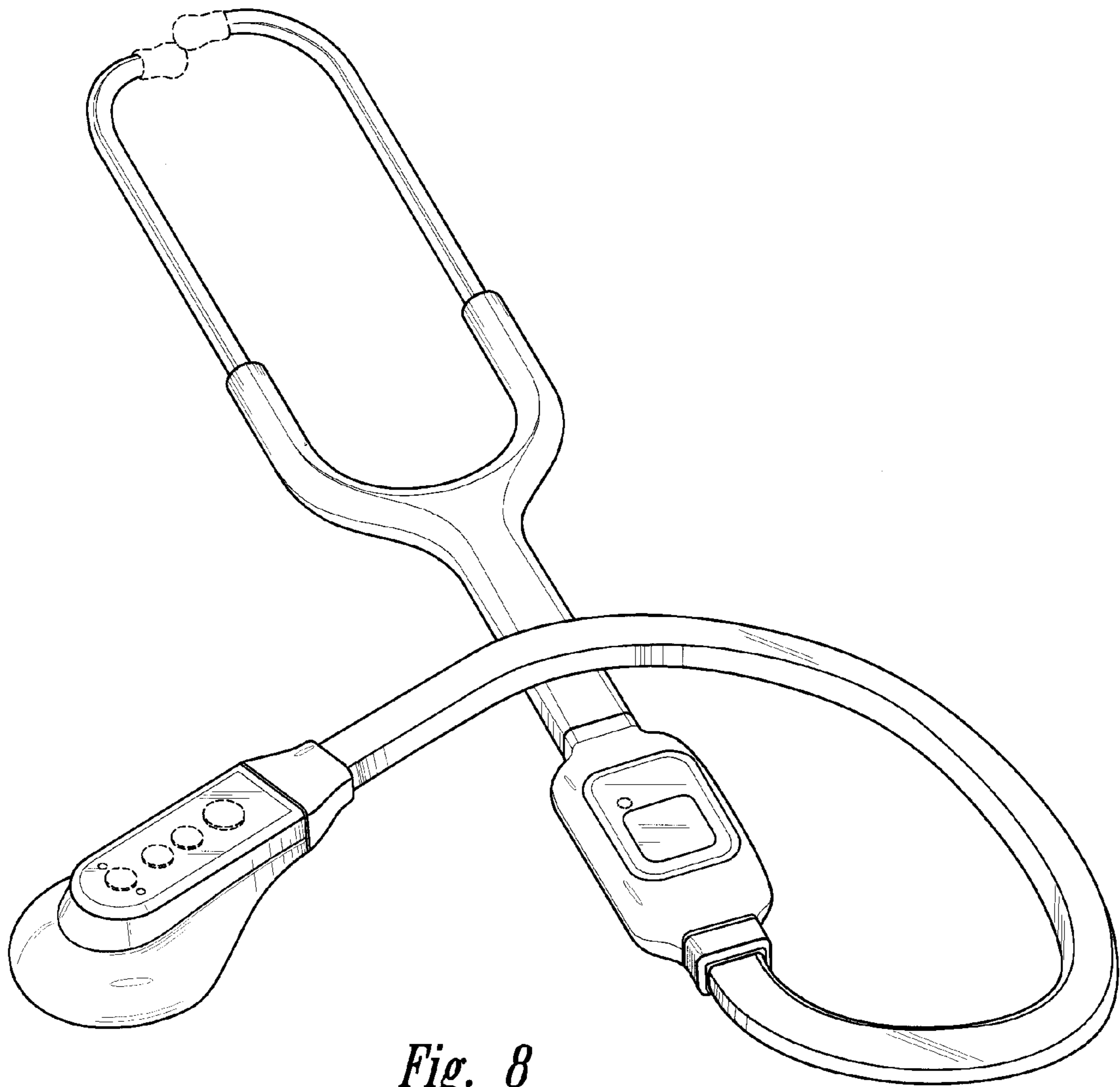


Fig. 8

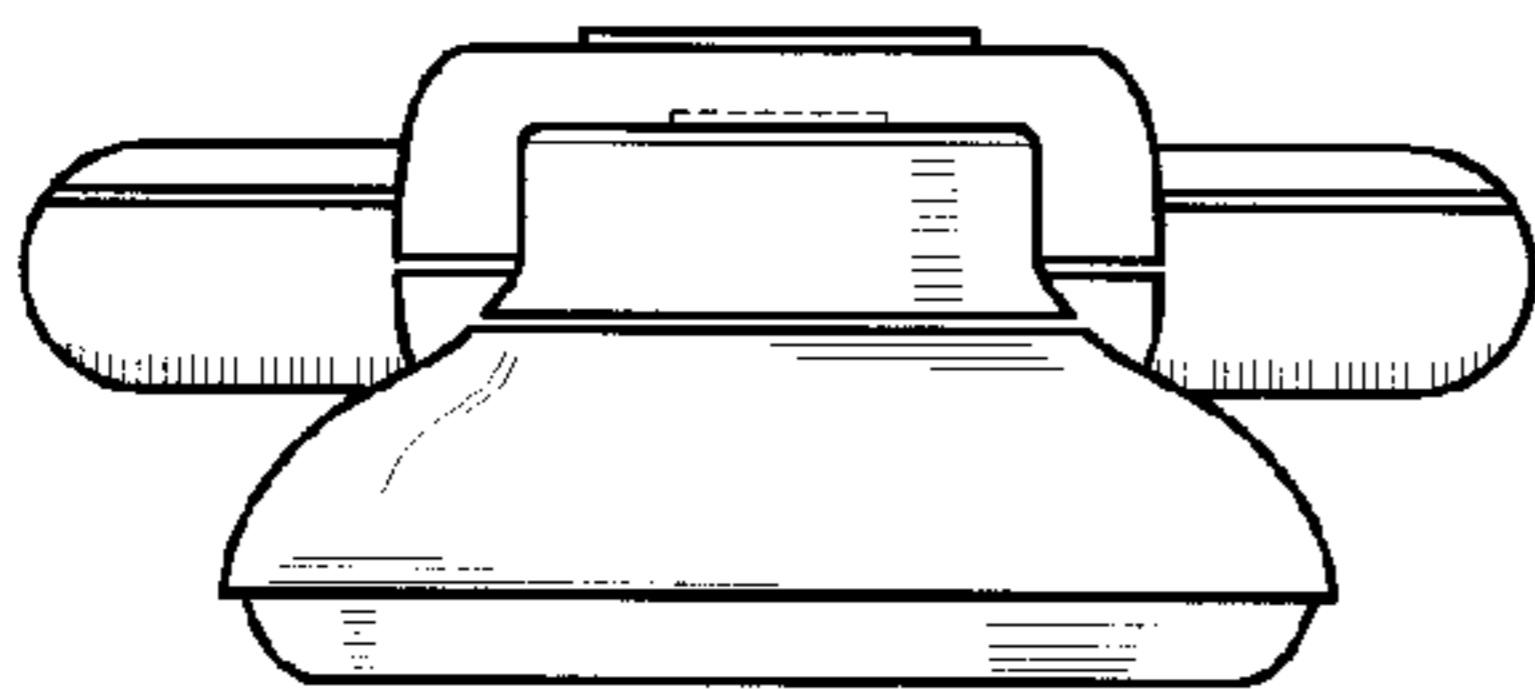


Fig. 6

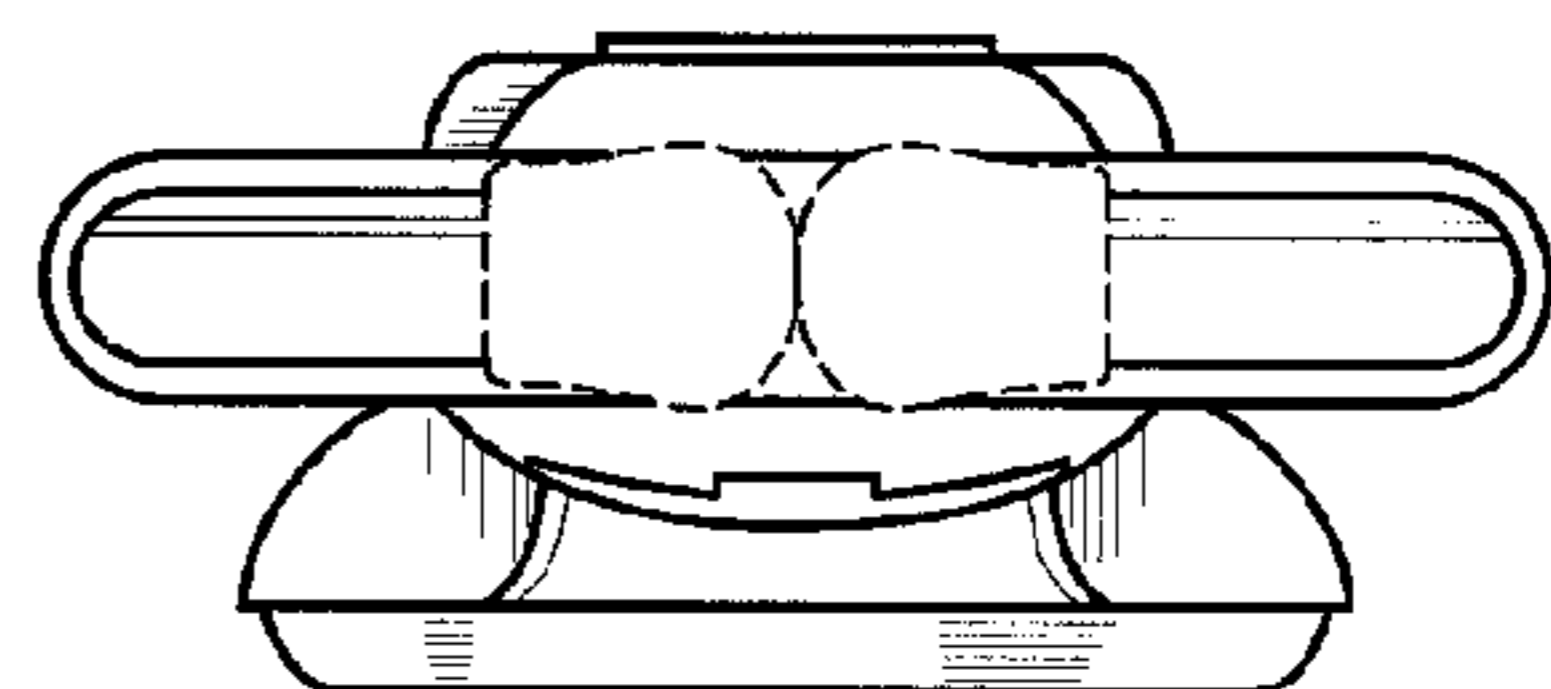


Fig. 7