



US00D589142S

(12) **United States Design Patent**  
**Guerrero**

(10) **Patent No.:** **US D589,142 S**  
(45) **Date of Patent:** **\*\* Mar. 24, 2009**

(54) **INFUSION DEVICE**

(75) Inventor: **Ramon Guerrero**, Plano, TX (US)

(73) Assignee: **Intrasafe Medical, Inc.**, Frisco, TX (US)

(\*\*) Term: **14 Years**

(21) Appl. No.: **29/306,375**

(22) Filed: **Apr. 8, 2008**

**Related U.S. Application Data**

(63) Continuation of application No. 11/286,880, filed on Nov. 23, 2005.

(51) **LOC (9) Cl.** ..... **24-02**

(52) **U.S. Cl.** ..... **D24/129; D24/108**

(58) **Field of Classification Search** ..... D24/108, D24/112, 129, 189; 128/888; 604/93.01, 604/167.05, 263, 180, 891.1, 174

See application file for complete search history.

(56) **References Cited**

**U.S. PATENT DOCUMENTS**

2,322,753 A	6/1943	Thomas	
3,941,126 A	3/1976	Dietrich et al.	
3,957,082 A *	5/1976	Fuson et al.	137/625.41
4,257,416 A *	3/1981	Prager	604/507

(Continued)

**OTHER PUBLICATIONS**

Dryden, Gale E., MD and Brickler, Joseph, BS, "Stopcock Contamination", *Anesthesia and Analgesia*, Mar.-Apr. 1979, vol. 58, No. 2, pp. 141-142.

Robertsite Needleless Injection Site, Halkey-Roberts Corporation, Cat No. 245204024, 245204050, and 245204124, Mar. 2005, 1 p., St. Petersburg, FL 333716, USA.

Quest Medical, Inc., Fluid Delivery Catalog, 21 pp., copyright 2005, Allen, TX 75002.

*Primary Examiner*—T. Chase Nelson

*Assistant Examiner*—Eric L Goodman

(74) *Attorney, Agent, or Firm*—Gardere Wynne Sewell, LLP

(57) **CLAIM**

The ornamental design for an infusion device, as shown and described.

**DESCRIPTION**

FIG. 1 is a perspective view of an infusion device in accordance with my invention;

FIG. 2 is a left side view of the infusion device shown in FIG. 1;

FIG. 3 is a front elevation view of the infusion device shown in FIG. 1;

FIG. 4 is an top plan view of the infusion device shown in FIG. 1;

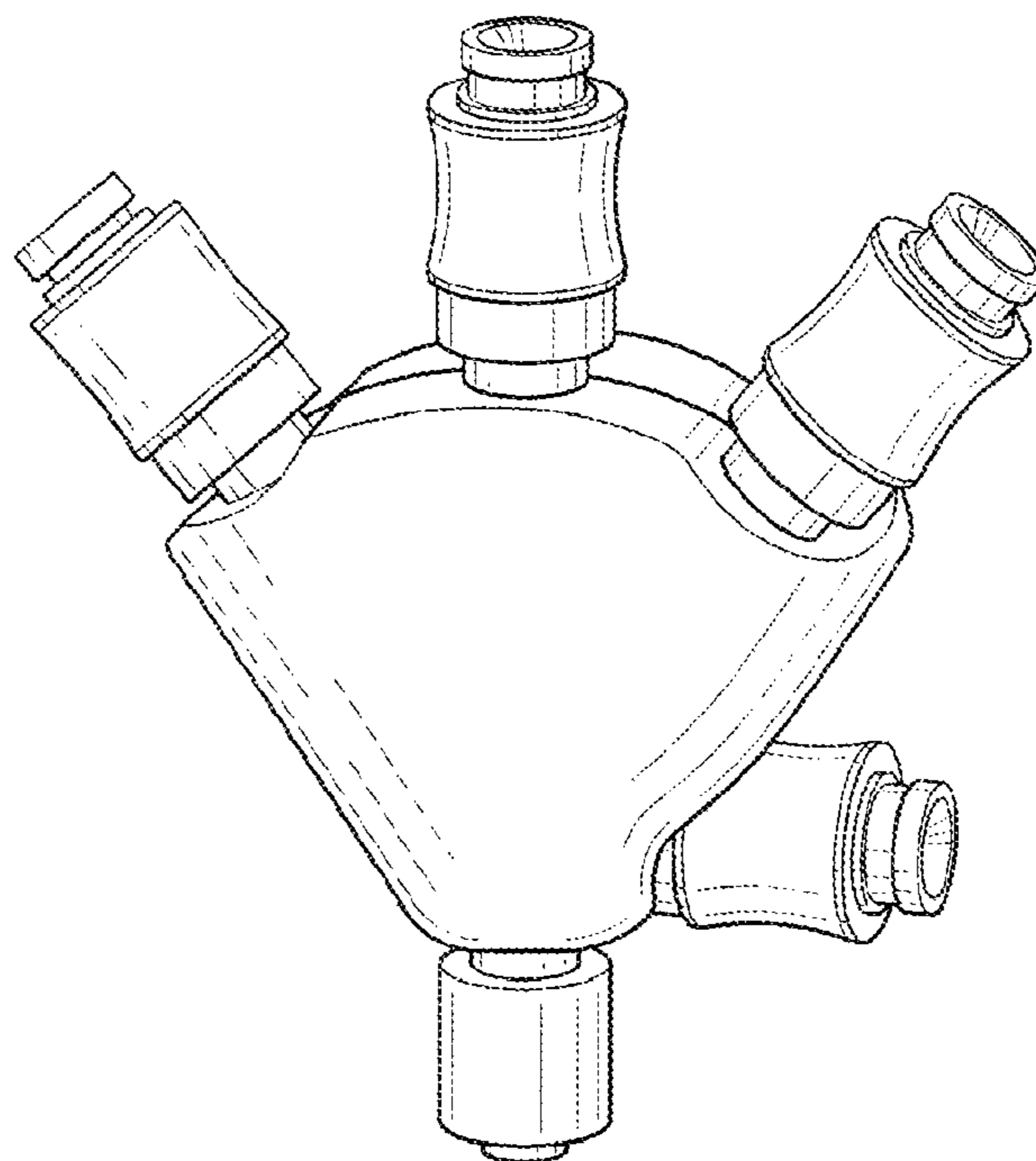
FIG. 5 is right side view of the infusion device shown in FIG. 1;

FIG. 6 is a back elevation view of the infusion device shown in FIG. 1; and,

FIG. 7 is a bottom view of the infusion device shown in FIG. 1.

The broken lines are included for the purpose of illustrating portions of the article and forms no part of the claimed design.

**1 Claim, 2 Drawing Sheets**



# US D589,142 S

Page 2

---

U.S. PATENT DOCUMENTS					
		5,916,201	A *	6/1999	Wilson et al. .... 604/248
		5,993,422	A	11/1999	Schafer
		6,083,194	A	7/2000	Lopez
		6,102,897	A	8/2000	Lang
		6,197,005	B1	3/2001	Gerfach et al.
		6,428,513	B1 *	8/2002	Abrahamson ..... 604/174
		6,508,791	B1	1/2003	Guerrero
		6,592,544	B1	7/2003	Mooney et al.
		6,689,096	B1	2/2004	Loubens et al.
		6,929,625	B2	8/2005	Bierman
		D554,253	S *	10/2007	Kornerup ..... D24/108
		D576,267	S *	9/2008	Mogensen et al. .... D24/108
		2003/0171714	A1	9/2003	Katoh et al.
		2005/0113798	A1	5/2005	Slater et al.
		2007/0093764	A1 *	4/2007	Guerrero ..... 604/284
					* cited by examiner
4,392,853	A	7/1983	Muto		
4,664,419	A	5/1987	Tan et al.		
4,795,441	A	1/1989	Bhatt		
5,104,387	A *	4/1992	Pokorney et al. .... 604/248		
5,190,524	A	3/1993	Wex		
5,217,432	A	6/1993	Rudzena et al.		
5,236,417	A	8/1993	Wallis		
5,395,352	A	3/1995	Penny		
5,411,490	A	5/1995	Tennican et al.		
5,454,792	A	10/1995	Tennican et al.		
5,480,380	A	1/1996	Martin		
5,515,851	A	5/1996	Goldstein		
5,575,767	A	11/1996	Stevens		
5,632,735	A	5/1997	Wyatt et al.		
5,827,218	A	10/1998	Nguyen et al.		

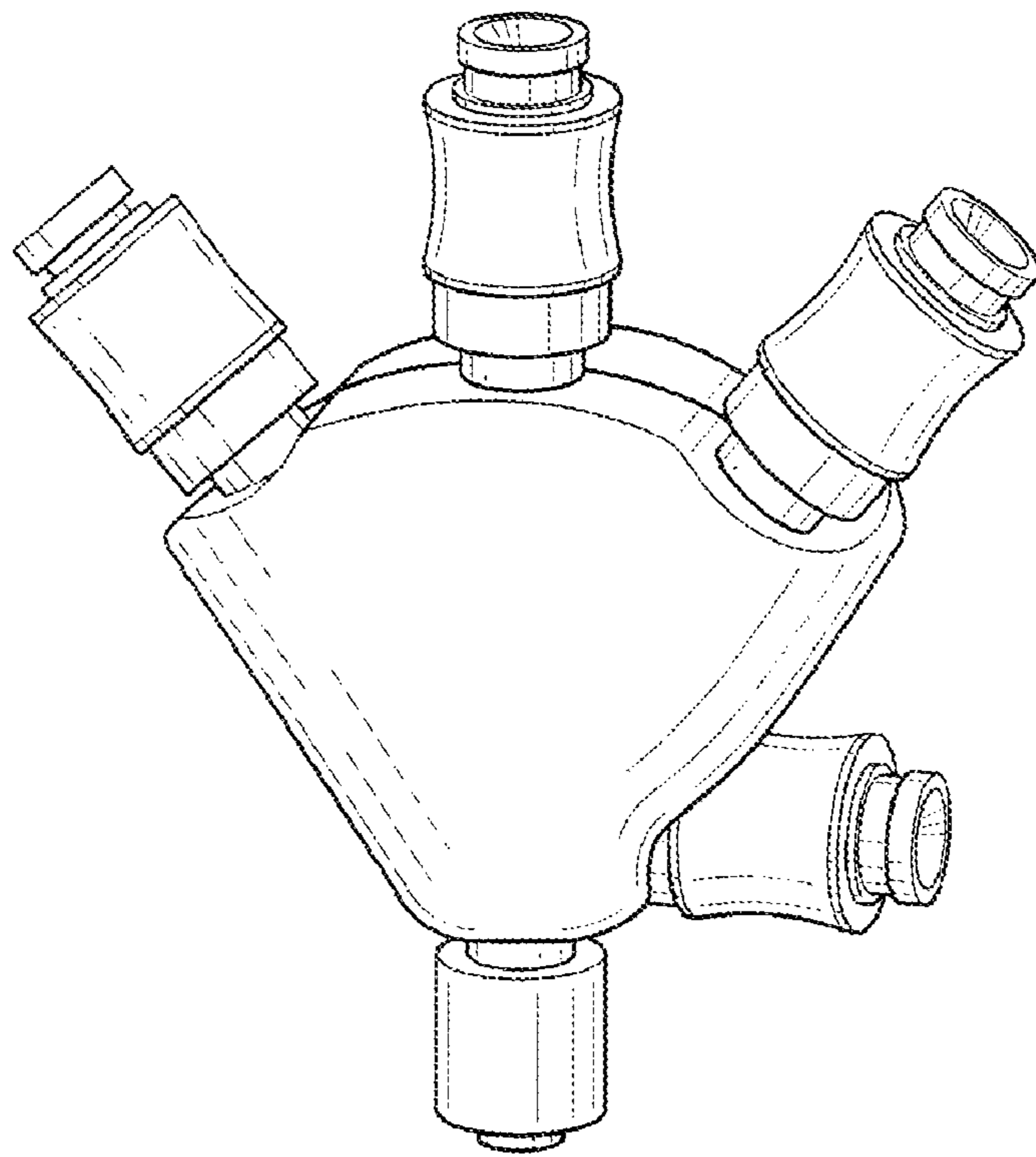


FIG. 1

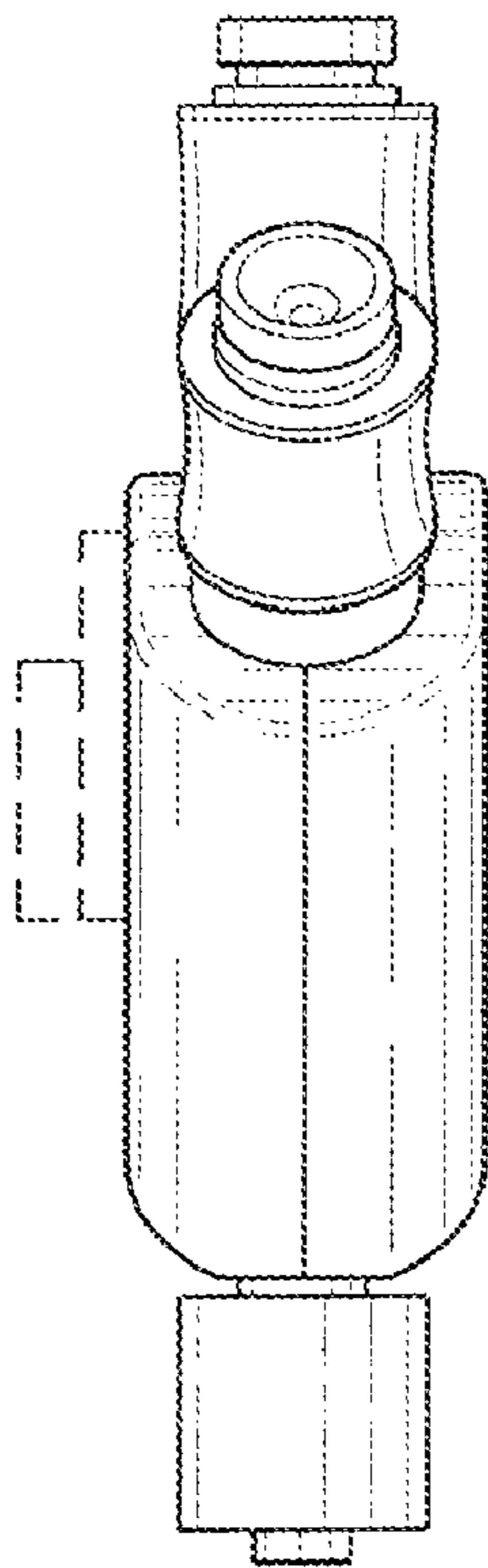


FIG. 2

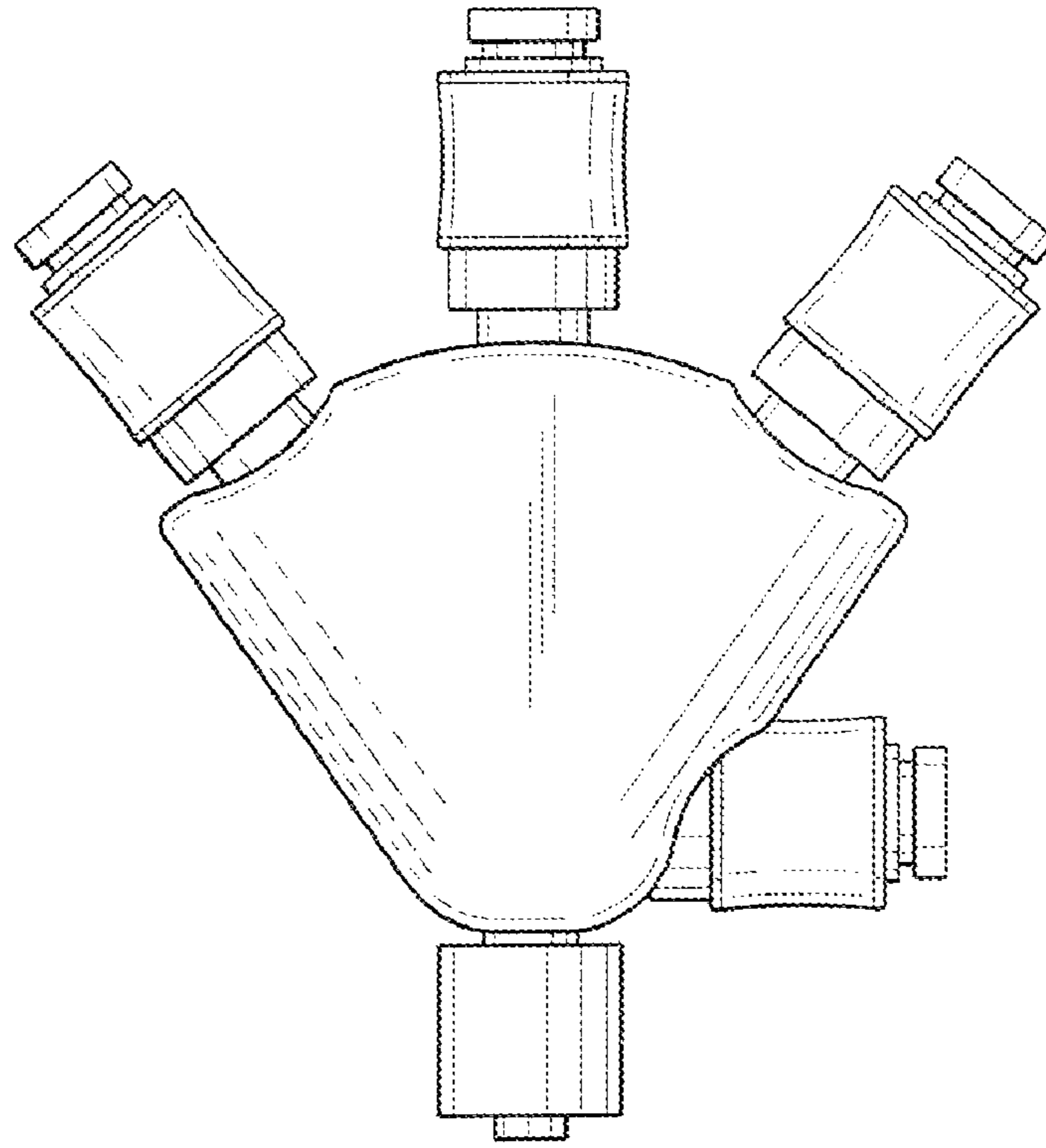


FIG. 3

FIG. 4

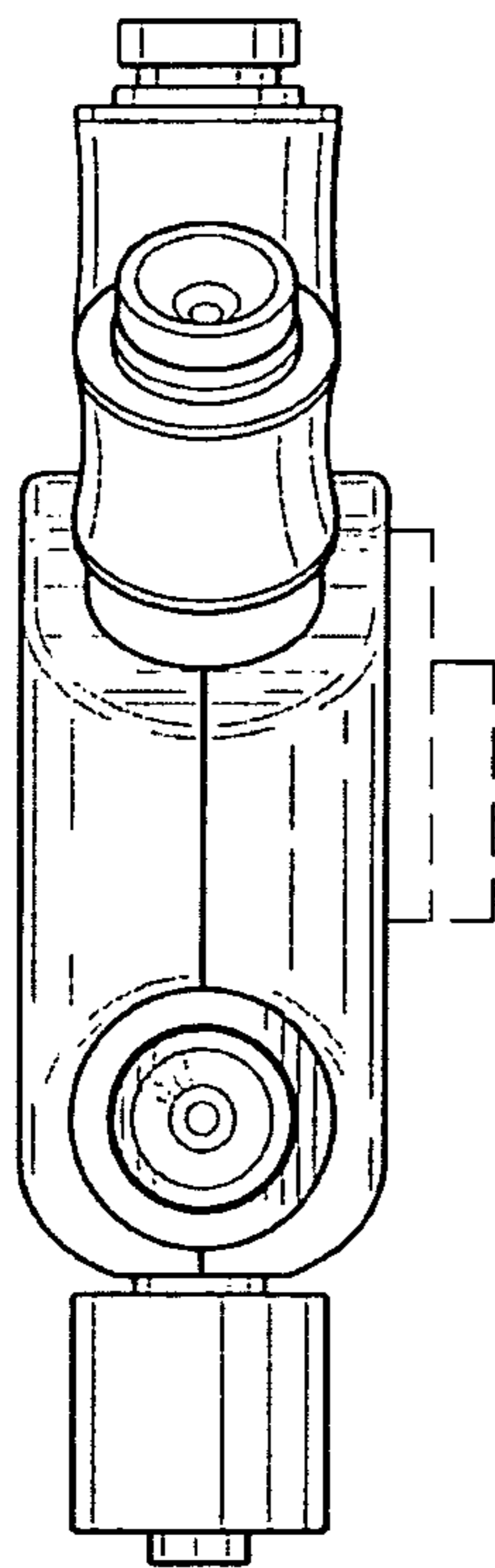
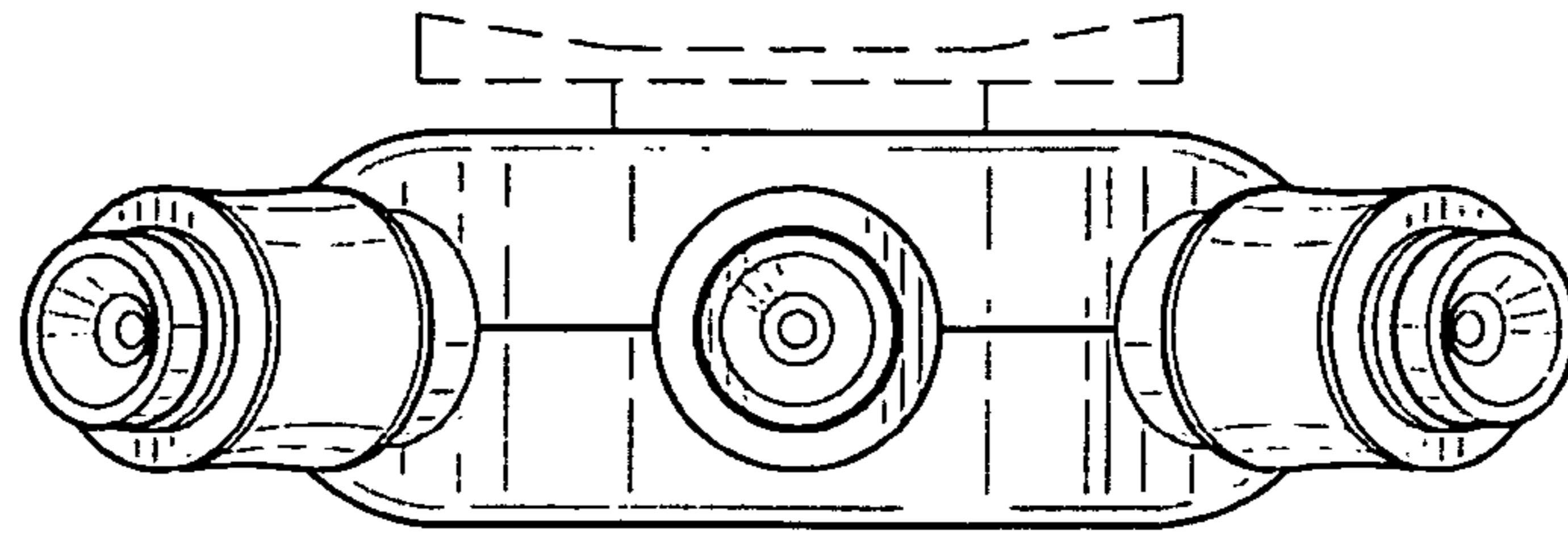


FIG. 5

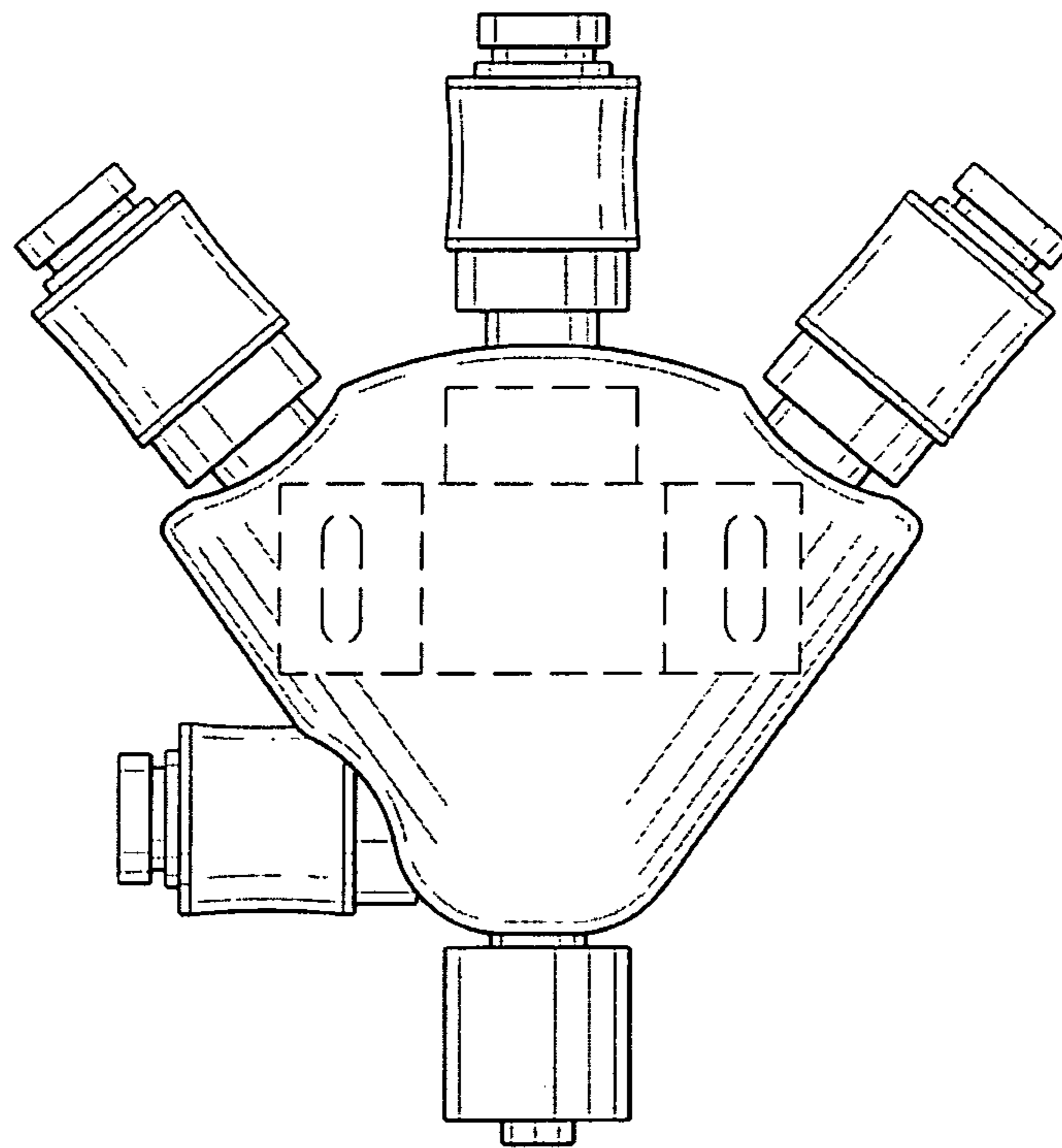


FIG. 6

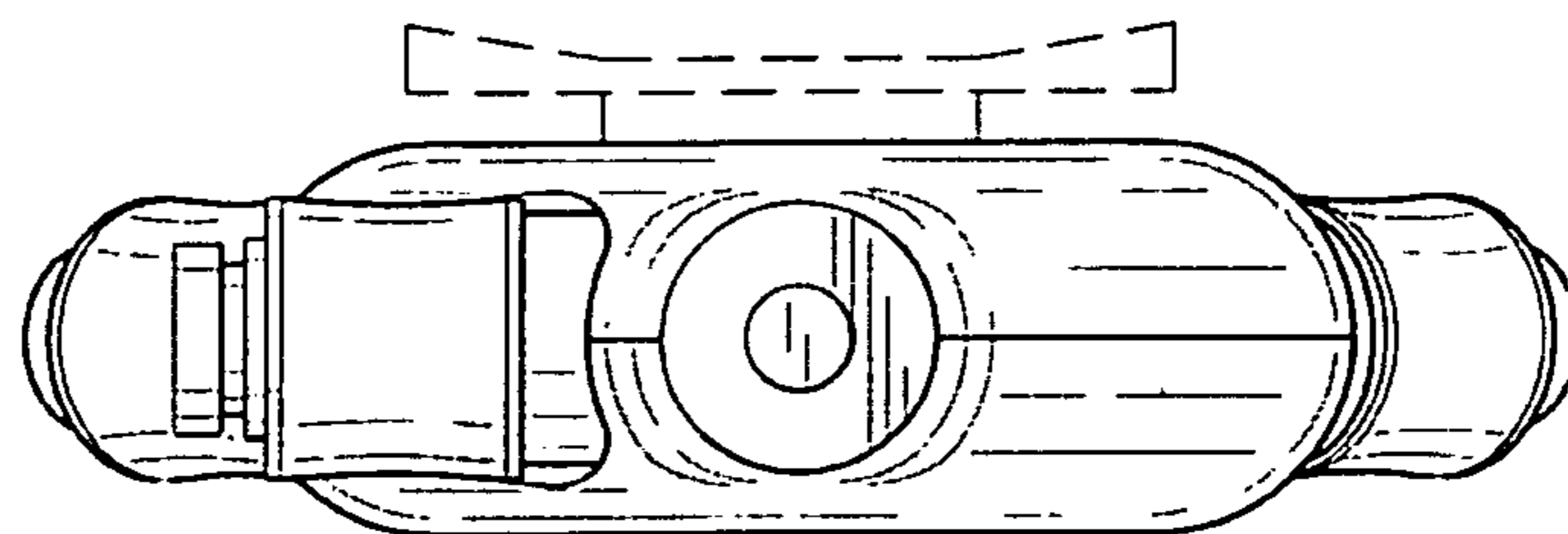


FIG. 7