



US00D589138S

(12) **United States Design Patent**  
**Kenyon et al.**

(10) **Patent No.:** **US D589,138 S**  
(45) **Date of Patent:** **\*\* Mar. 24, 2009**

(54) **MOTOR ASSEMBLY**

(75) Inventors: **Barton John Kenyon**, Ashfield (AU);  
**David B. Sears**, Woodland Hills, CA  
(US); **Michael Bruce Moir**, Newbury  
Park, CA (US); **Michael David Bednar**,  
Playa del Rey, CA (US)

(73) Assignee: **ResMed Motor Technologies Inc.**,  
Chatsworth, CA (US)

(\*\*) Term: **14 Years**

(21) Appl. No.: **29/274,506**

(22) Filed: **Apr. 27, 2007**

**Related U.S. Application Data**

(63) Continuation-in-part of application No. PCT/  
AU2006/001616, filed on Oct. 27, 2006.

(51) **LOC (9) Cl.** ..... **29-02**

(52) **U.S. Cl.** ..... **D24/110; D24/164**

(58) **Field of Classification Search** ..... D24/110,  
D24/164; 128/200.24, 203.12, 204.23, 204.21,  
128/204.25, 204.16–204.18; 417/423.7,  
417/427.12, 423.14, 423.1, 360; 415/10  
See application file for complete search history.

(56) **References Cited**

**U.S. PATENT DOCUMENTS**

D314,844 S \* 2/1991 Baharad ..... D24/110  
5,893,705 A 4/1999 Khan et al.

(Continued)

**FOREIGN PATENT DOCUMENTS**

EP 0295455 12/1988  
WO WO 99/00601 1/1999  
WO WO 00/38771 7/2000  
WO WO 2004/112873 12/2004  
WO WO 2007/048206 5/2007

**OTHER PUBLICATIONS**

U.S. Appl. No. 29/274,505, filed Apr. 27, 2007.  
U.S. Appl. No. 29/274,507, filed Apr. 27, 2007.  
U.S. Appl. No. 29/274,504, filed Apr. 27, 2007.  
International Search Report, Appln. No. PCT/AU2006/001616, Jan.  
5, 2007.

*Primary Examiner*—Ian Simmons  
*Assistant Examiner*—Wan Laymon

(74) *Attorney, Agent, or Firm*—Nixon & Vanderhye PC

(57) **CLAIM**

The ornamental design for a motor assembly, as shown and  
described.

**DESCRIPTION**

FIG. 1 is a front perspective view of a motor assembly accord-  
ing to a first embodiment of our design;

FIG. 2 is a front view thereof;

FIG. 3 is a rear view thereof;

FIG. 4 is a top view thereof;

FIG. 5 is a bottom view thereof;

FIG. 6 is a right side view thereof;

FIG. 7 is a left side view thereof;

FIG. 8 is a front perspective view of a motor assembly accord-  
ing to a second embodiment of our design;

FIG. 9 is a front view thereof;

FIG. 10 is a rear view thereof;

FIG. 11 is a top view thereof;

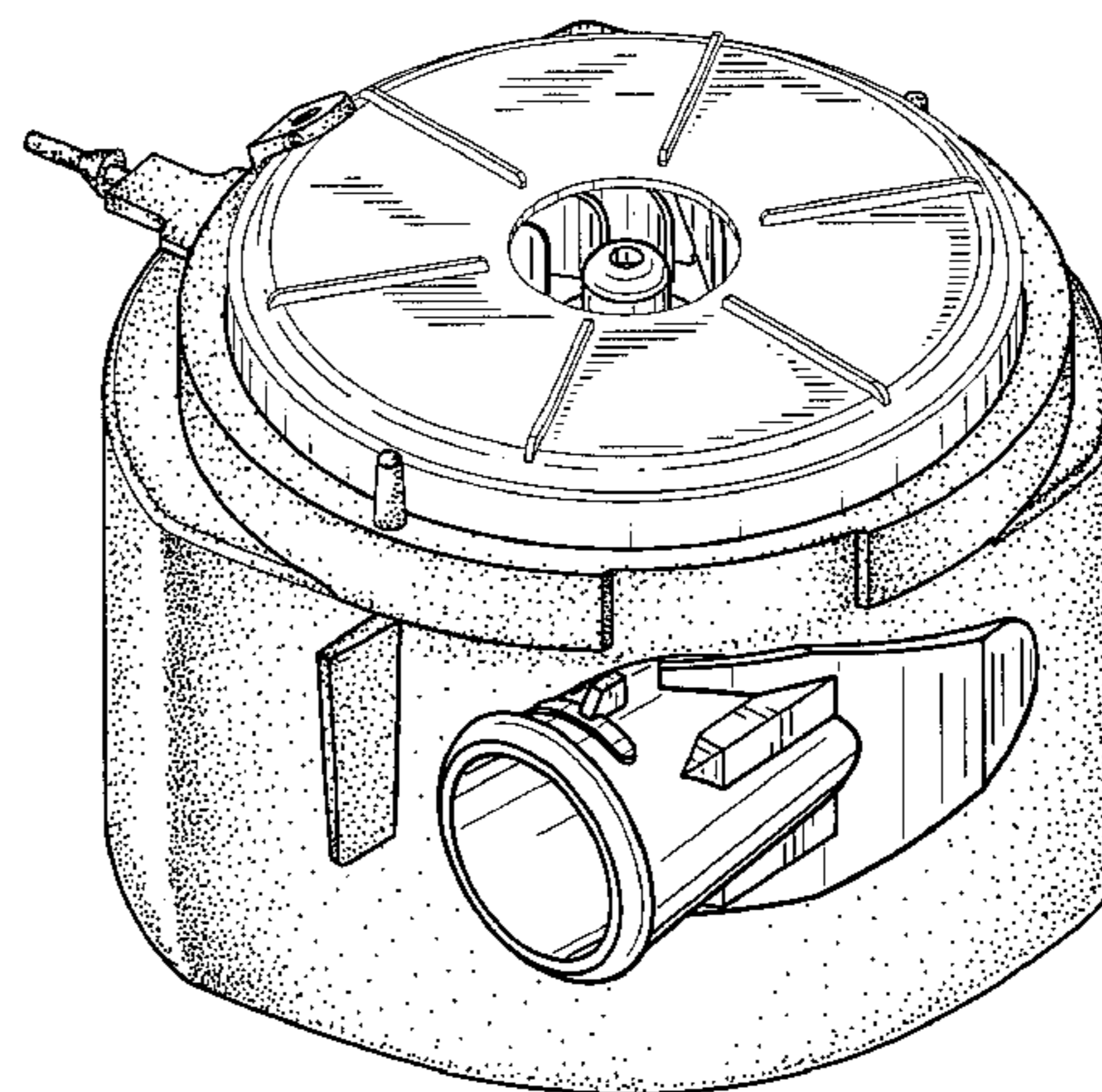
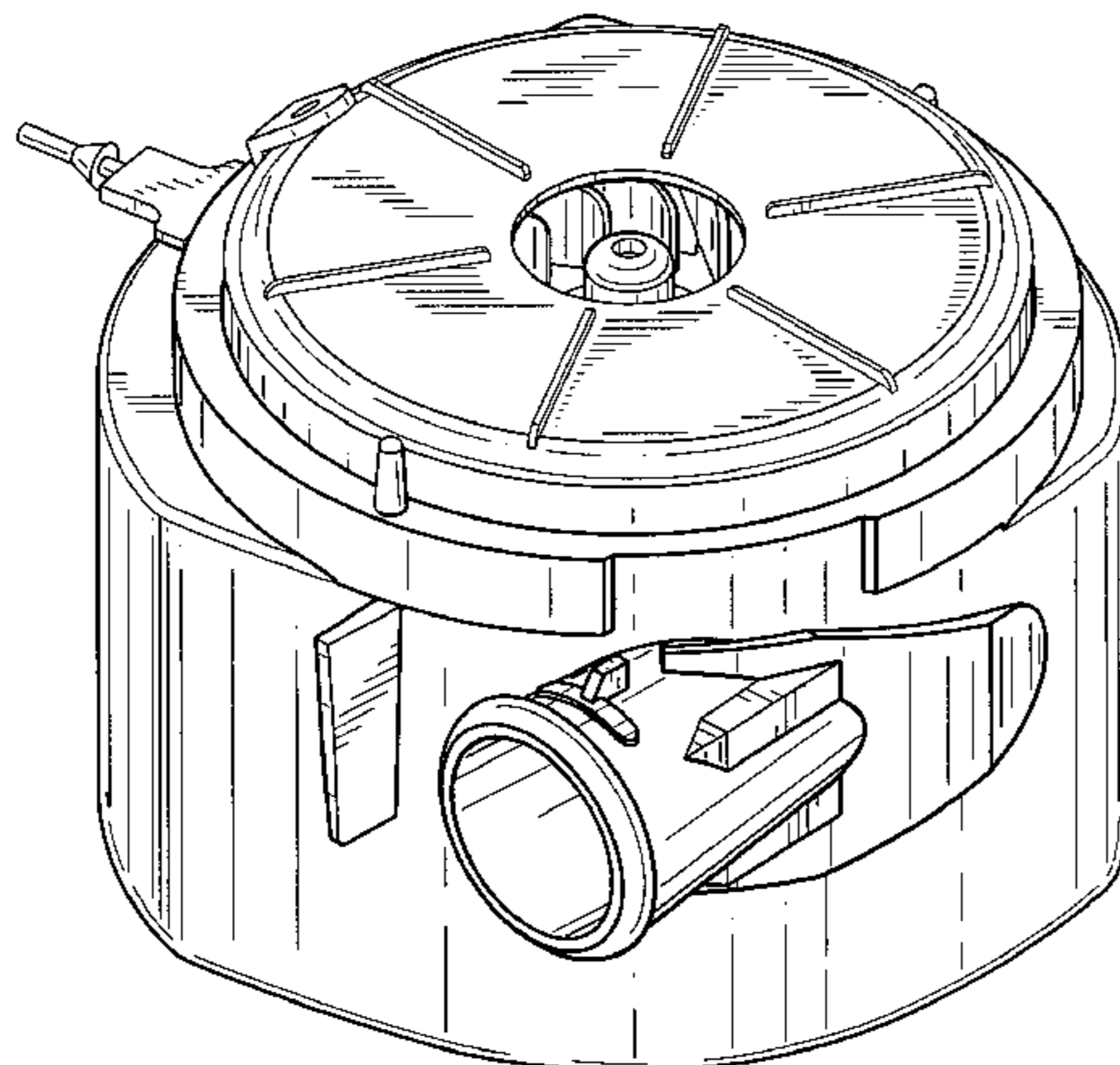
FIG. 12 is a bottom view thereof;

FIG. 13 is a right side view thereof; and,

FIG. 14 is a left side view thereof.

FIGS. 1–7 include general shading which should not construe  
any particular material or surface property. The application of  
shading, stippling, and/or line thicknesses shown in FIGS.  
8–14 is used to disclose contrast in materials and/or surfaces.

**1 Claim, 8 Drawing Sheets**



# US D589,138 S

Page 2

---

## U.S. PATENT DOCUMENTS

D427,675	S *	7/2000	Hansel	.....	D24/110				
6,315,526	B1	11/2001	Jones						
6,357,463	B1 *	3/2002	Wickham et al.	.....	137/12				
6,371,738	B2 *	4/2002	Jones	.....	417/363				
D468,011	S *	12/2002	Lithgow et al.	.....	D24/110				
6,565,334	B1	5/2003	Bradbury et al.						
D497,203	S *	10/2004	Lithgow et al.	.....	D24/110				
7,012,346	B2 *	3/2006	Hoffman et al.	.....	310/43				
						D544,598	S *	6/2007	Lithgow et al. .... D24/110
						D560,795	S *	1/2008	Lithgow et al. .... D24/110
						2003/0168064	A1	9/2003	Daly et al.
						2004/0071552	A1 *	4/2004	Truitt et al. .... 416/223 A
						2005/0247314	A1 *	11/2005	Virr et al. .... 128/203.16
						2006/0138878	A1 *	6/2006	Hoffman et al. .... 310/43
						2007/0125386	A1 *	6/2007	Quinn ..... 128/207.11
						2007/0134085	A1 *	6/2007	Daly et al. .... 415/198.1

\* cited by examiner

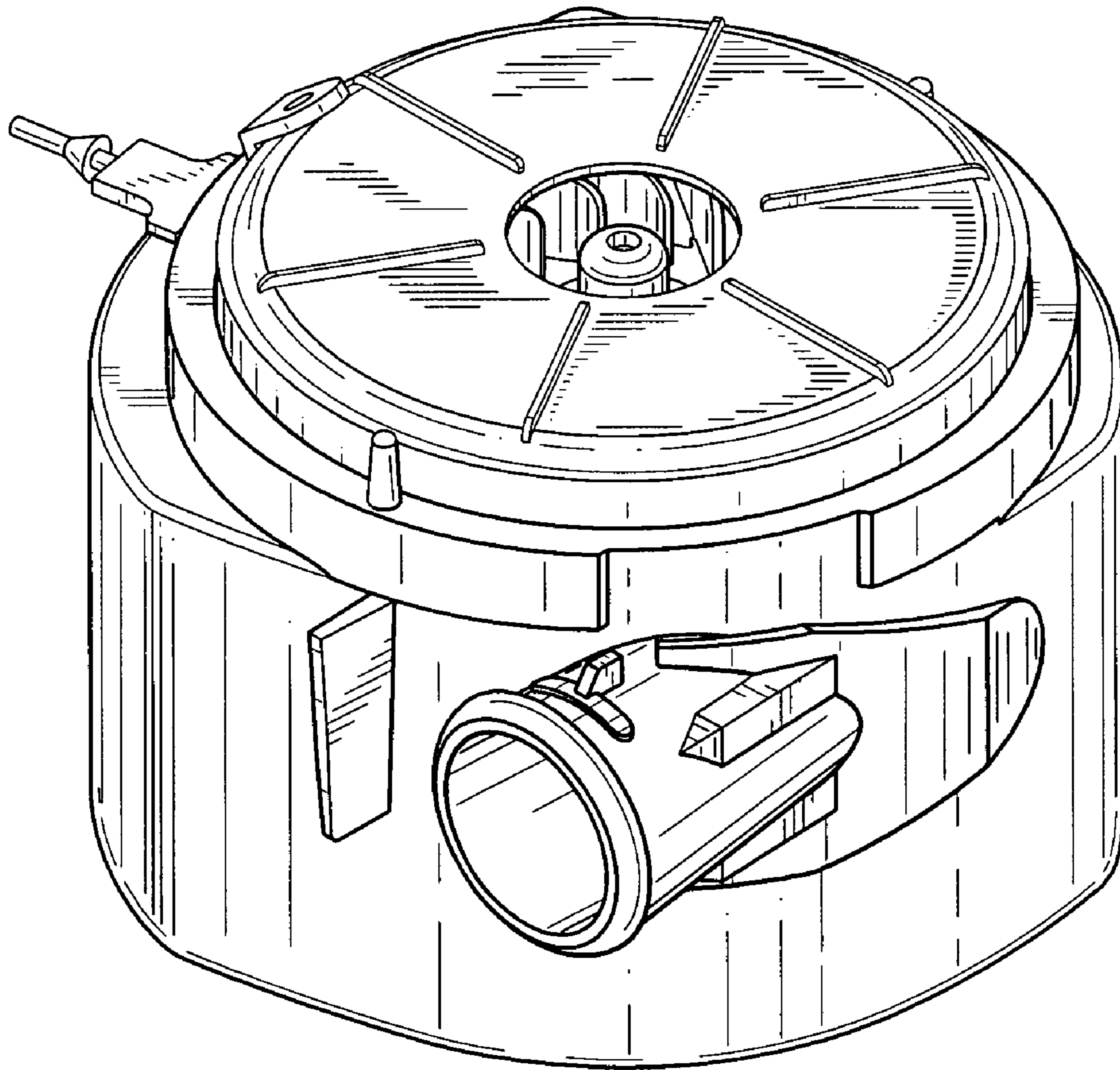


FIG. 1

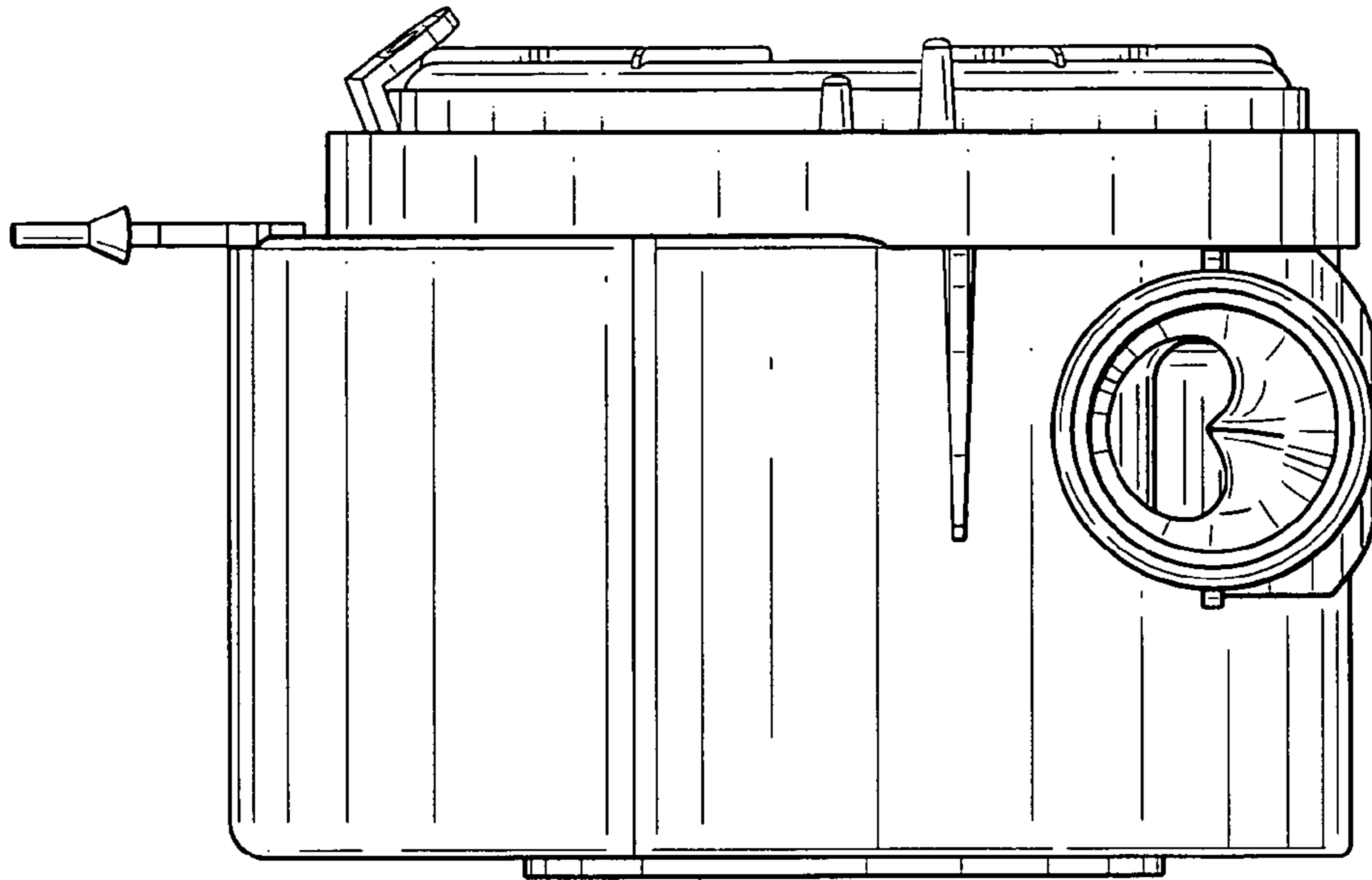


FIG. 2

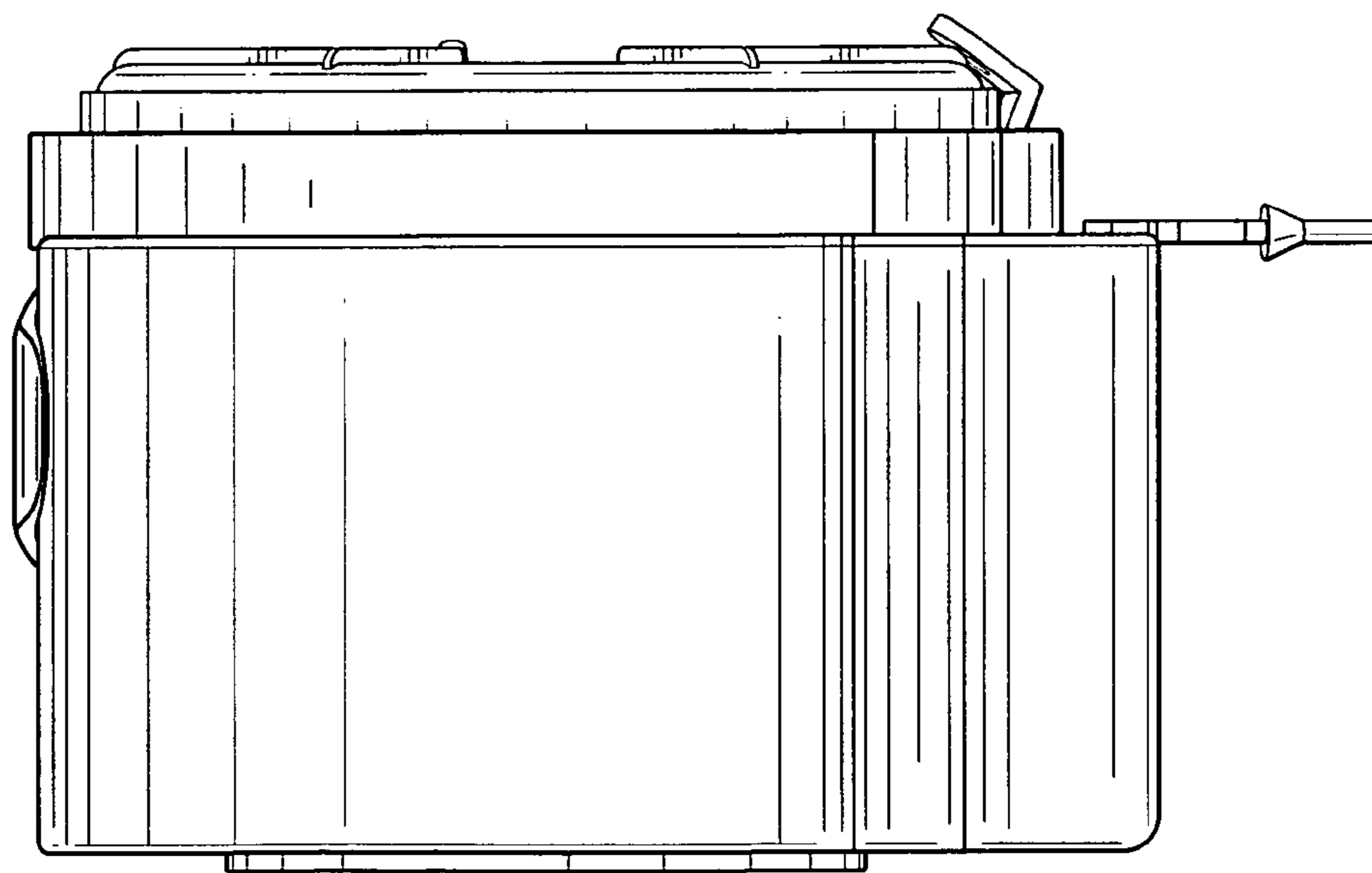
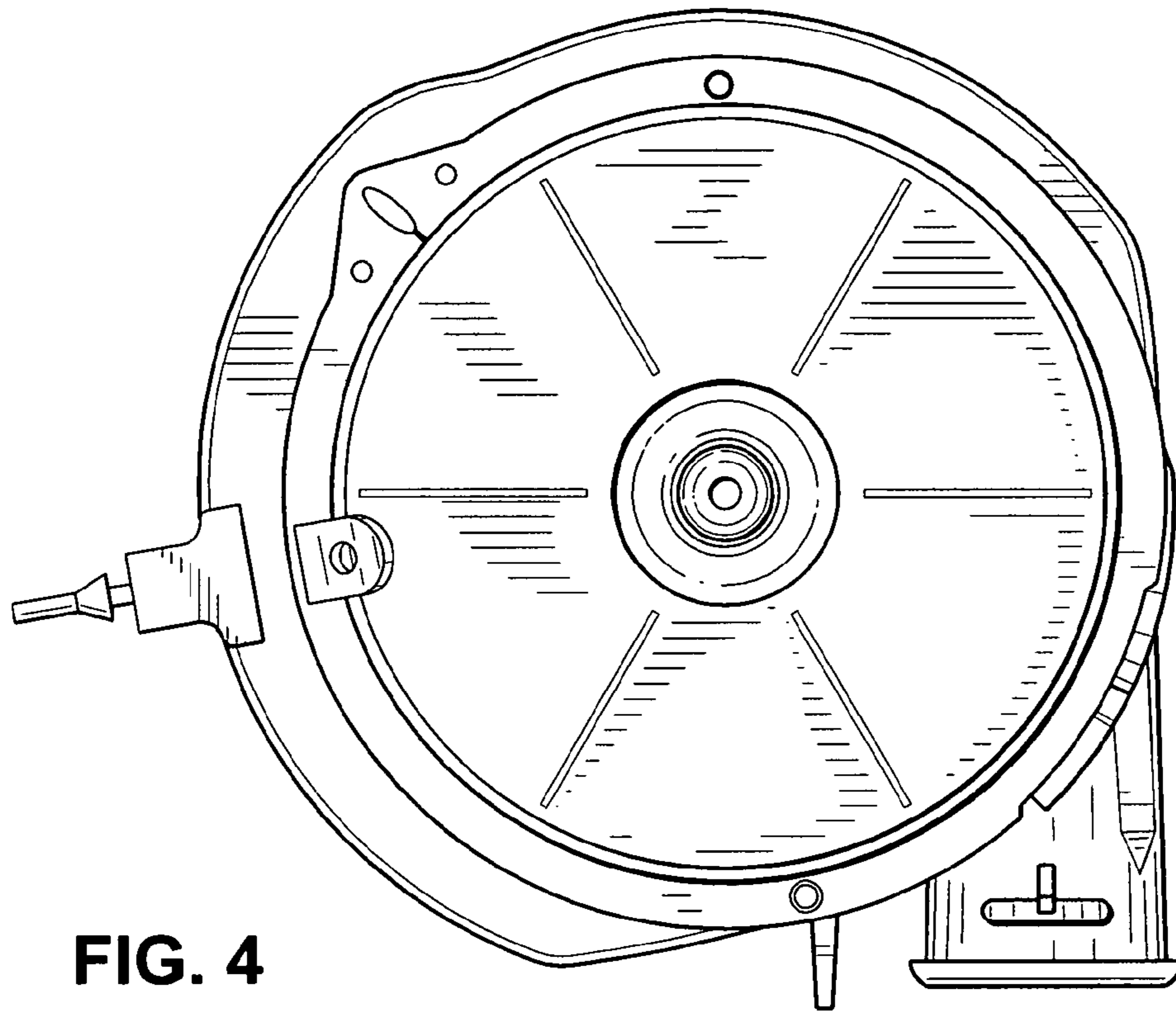
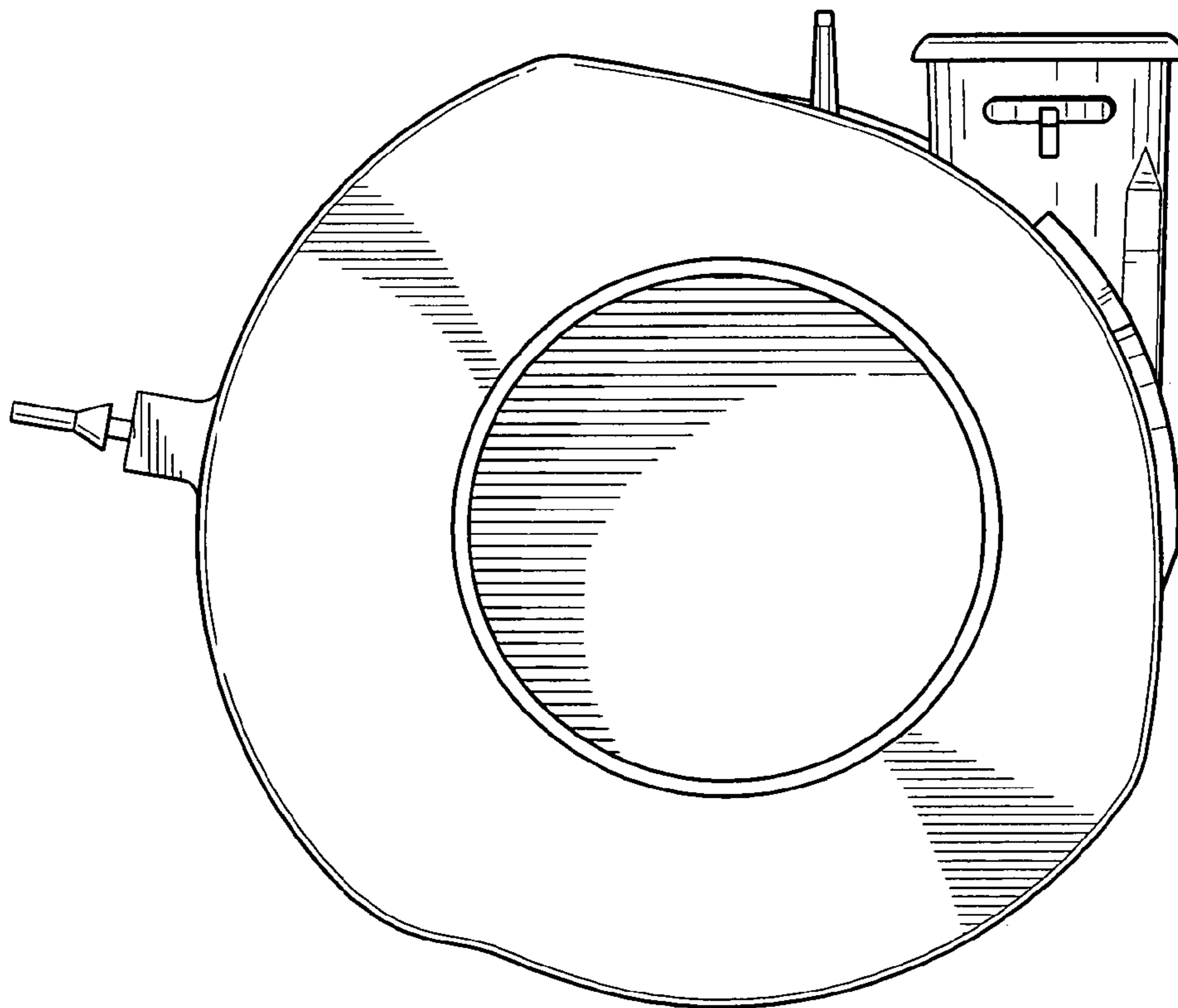


FIG. 3





**FIG. 4**



**FIG. 5**

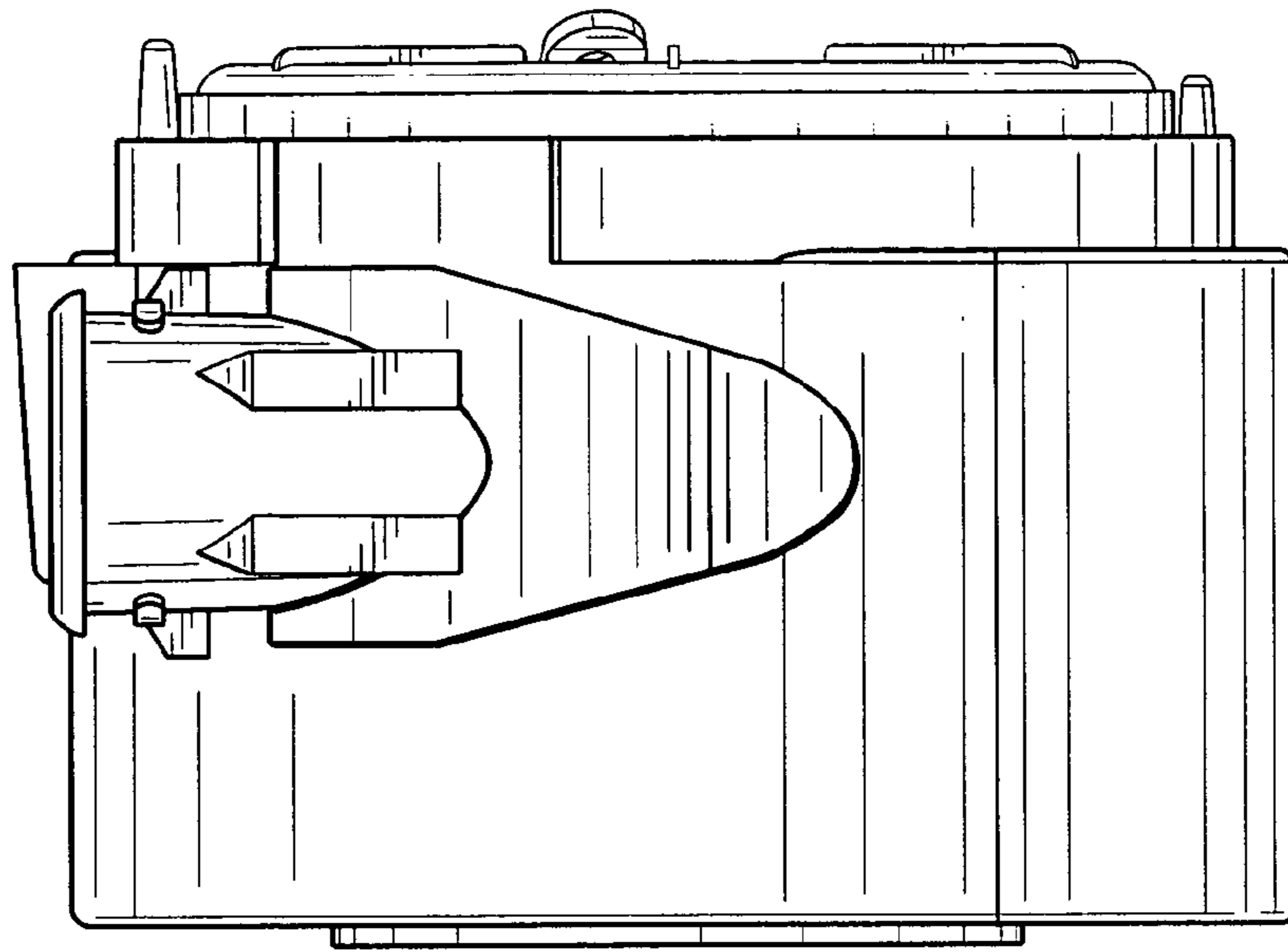


FIG. 6

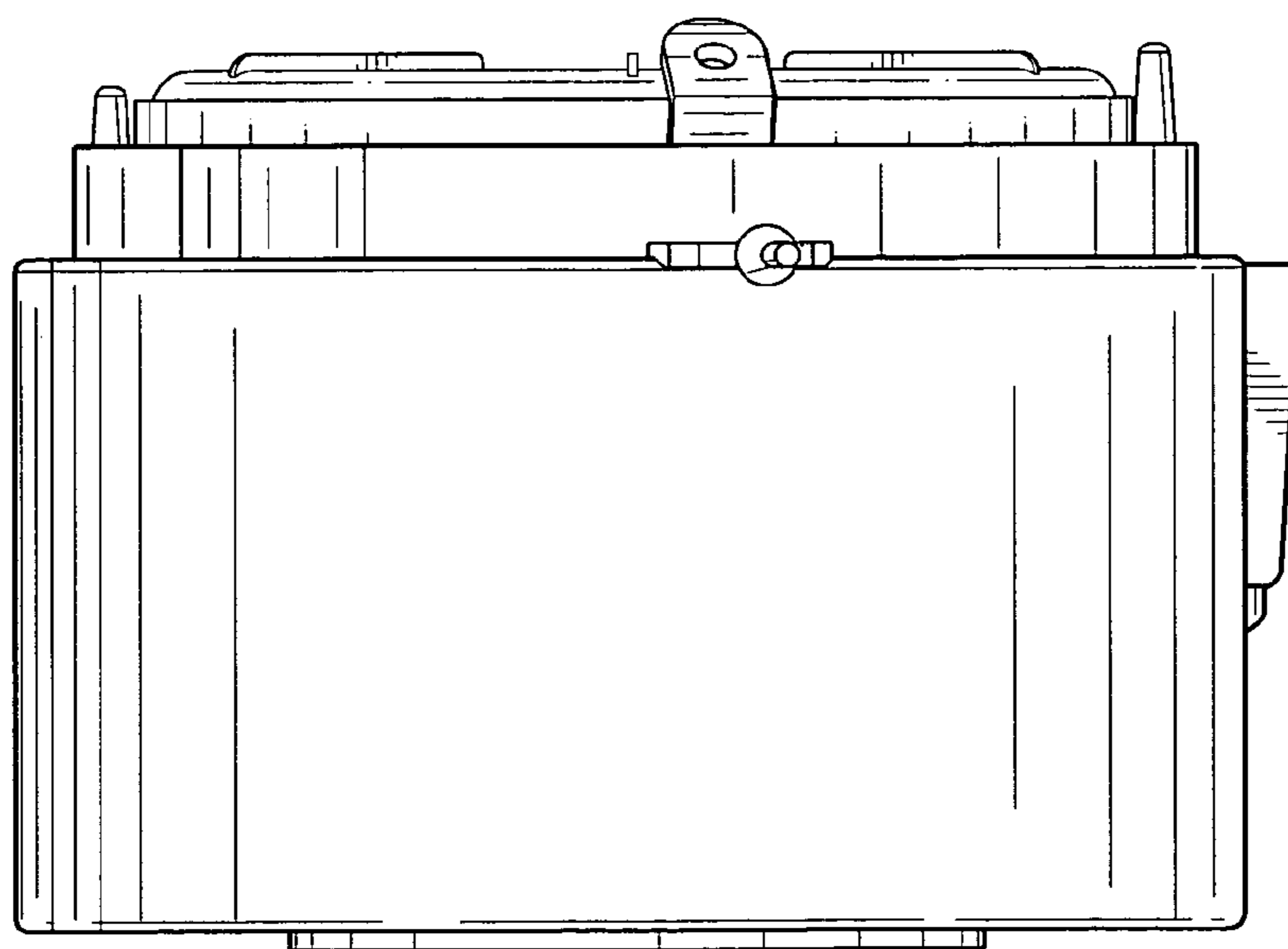


FIG. 7

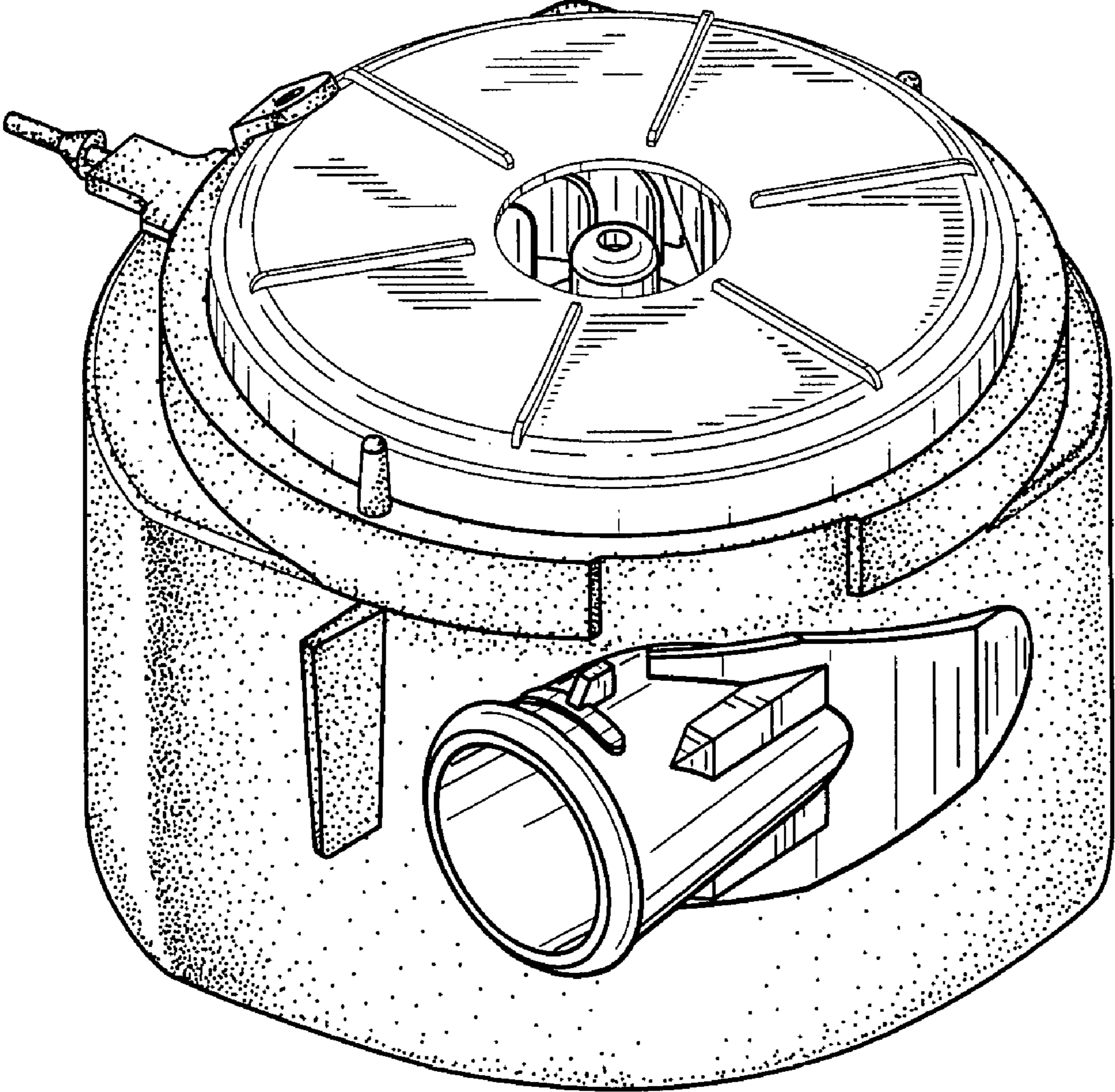


FIG. 8

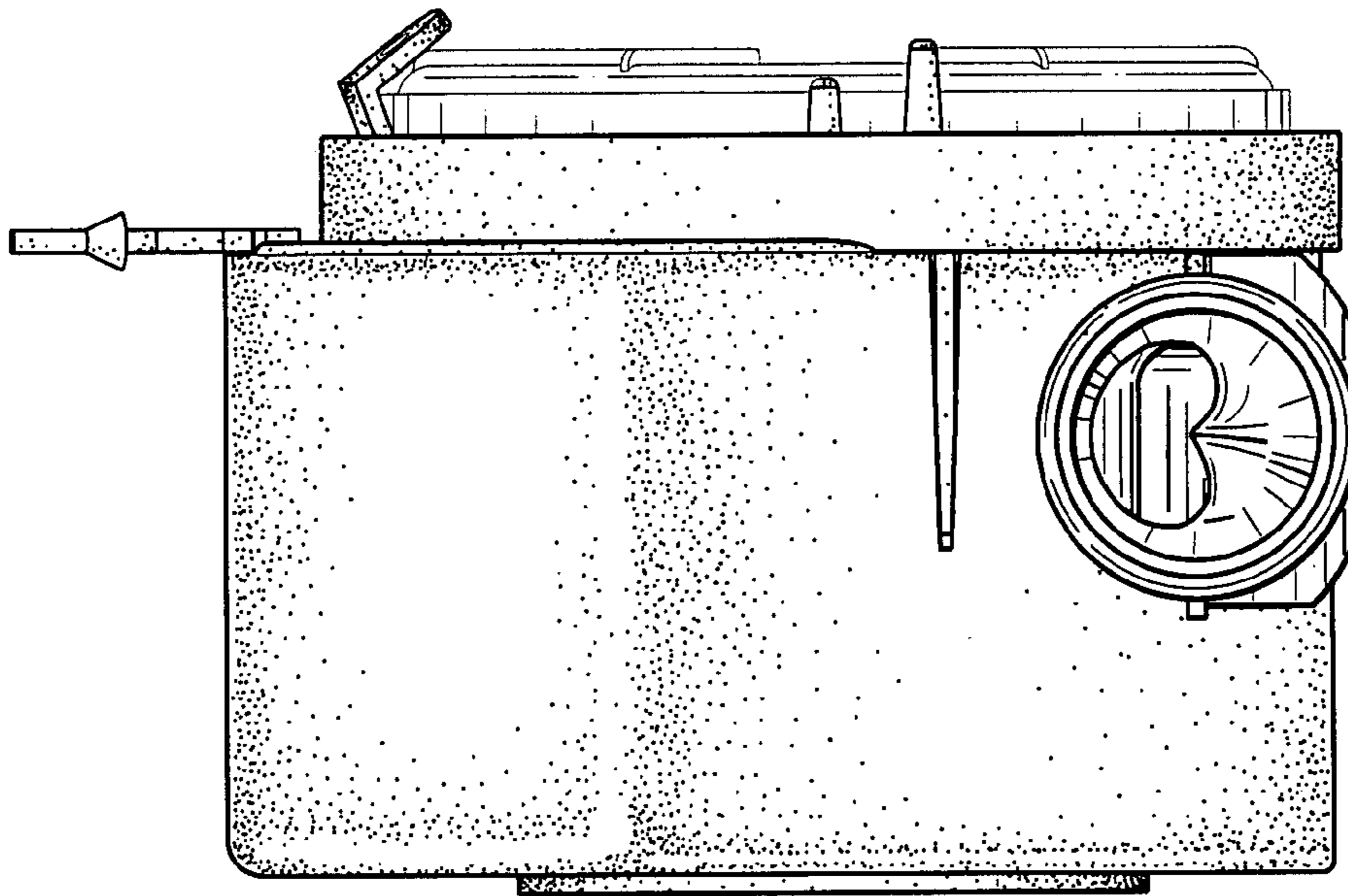


FIG. 9

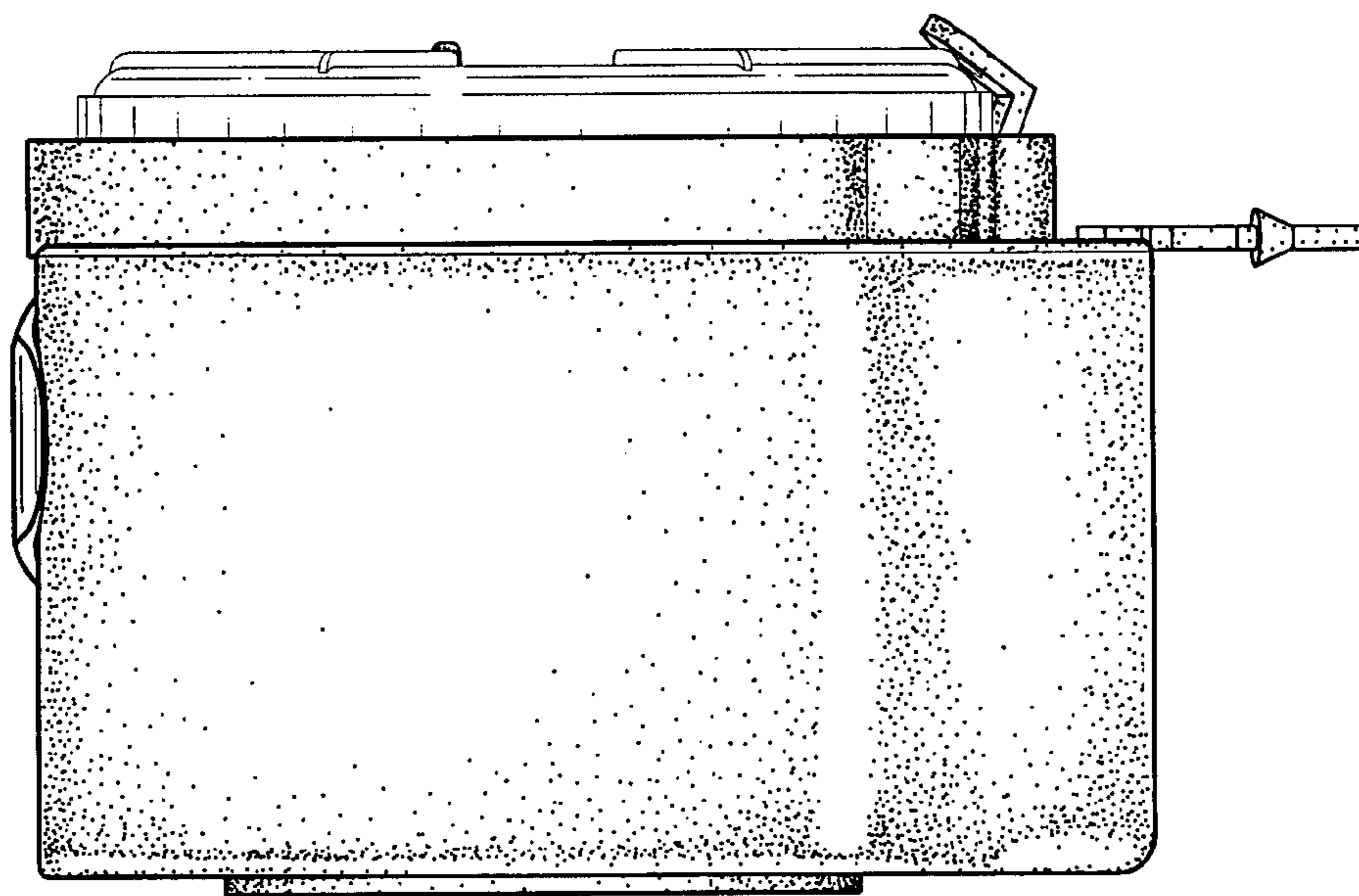


FIG. 10



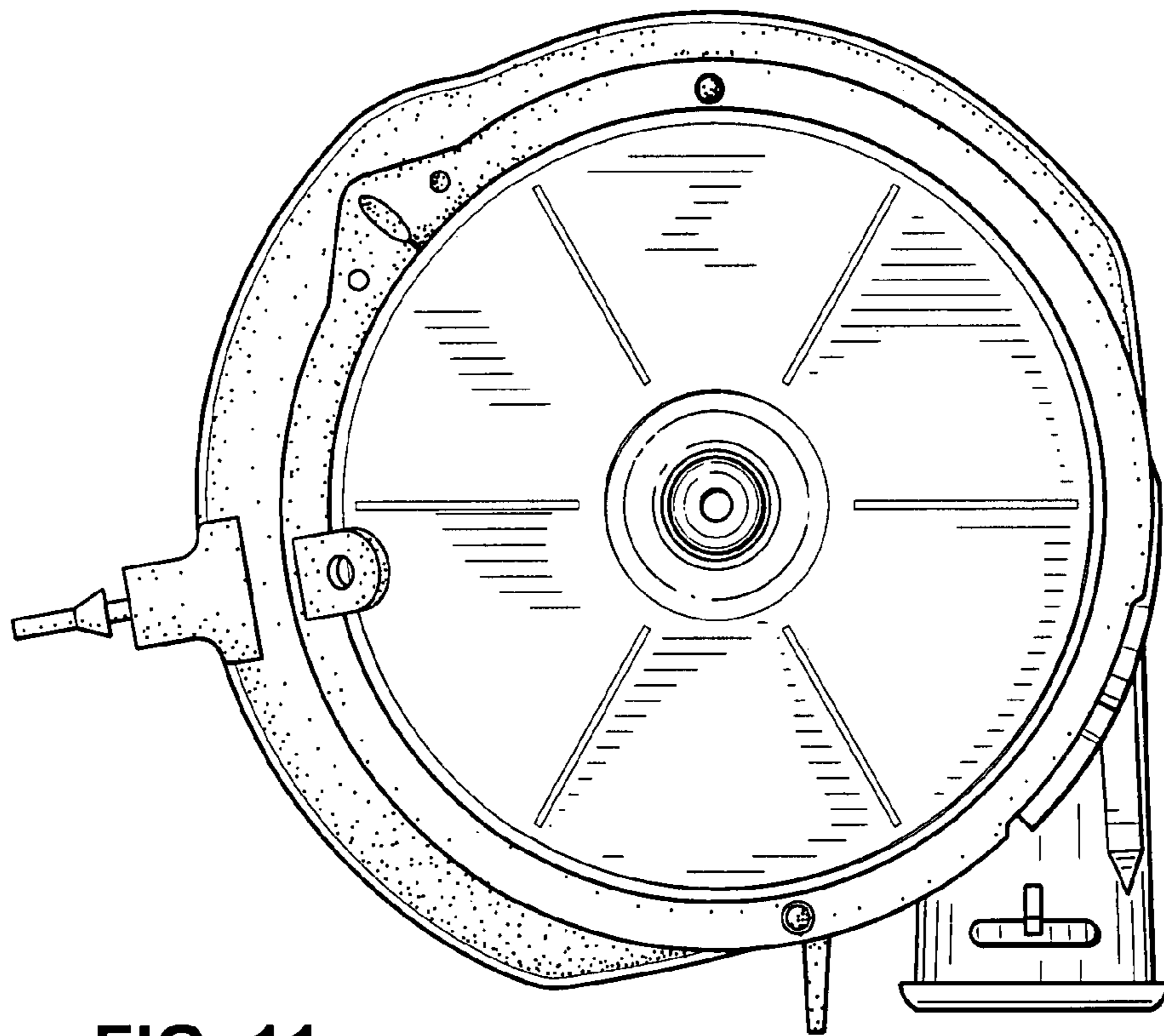


FIG. 11

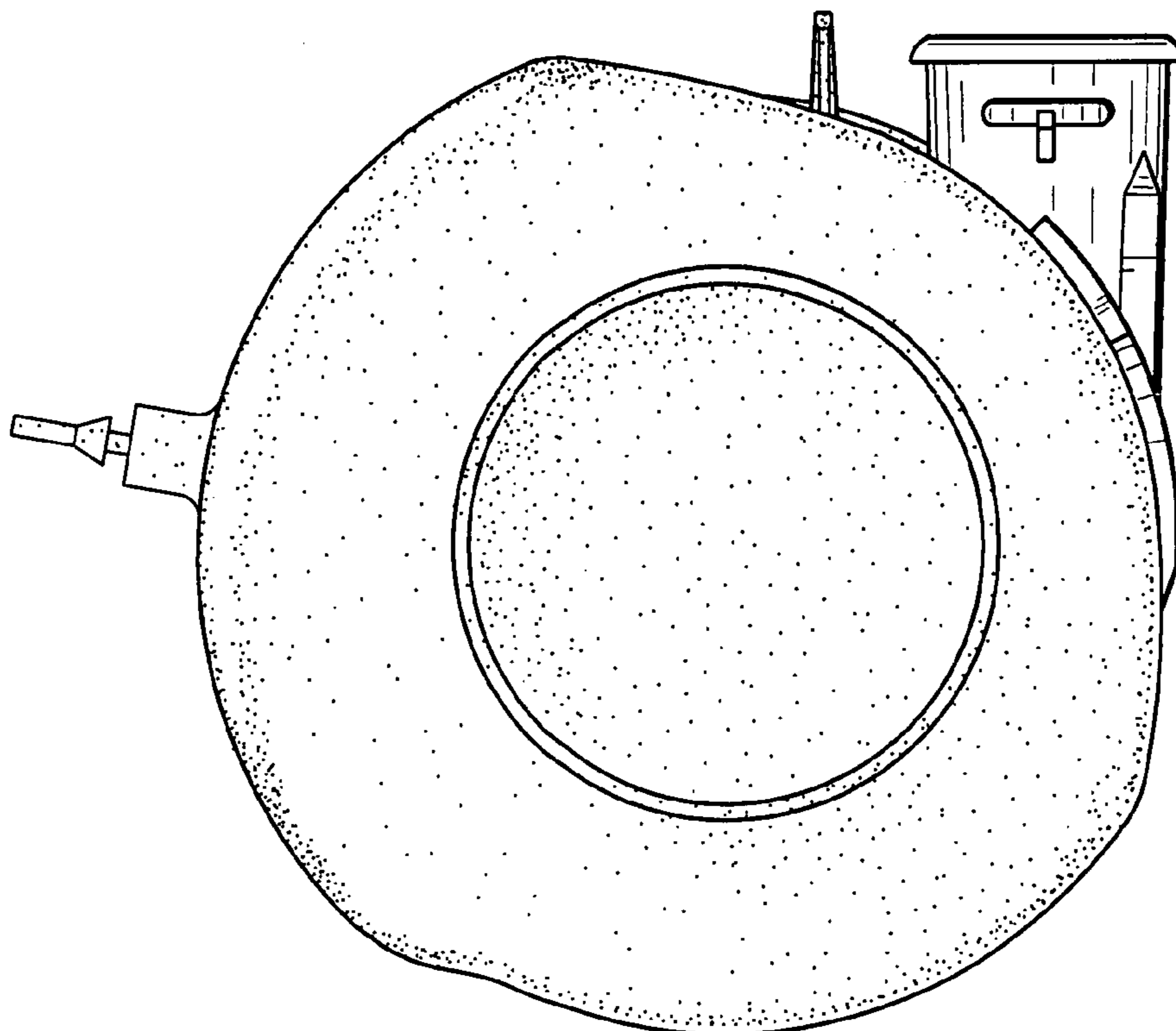


FIG. 12

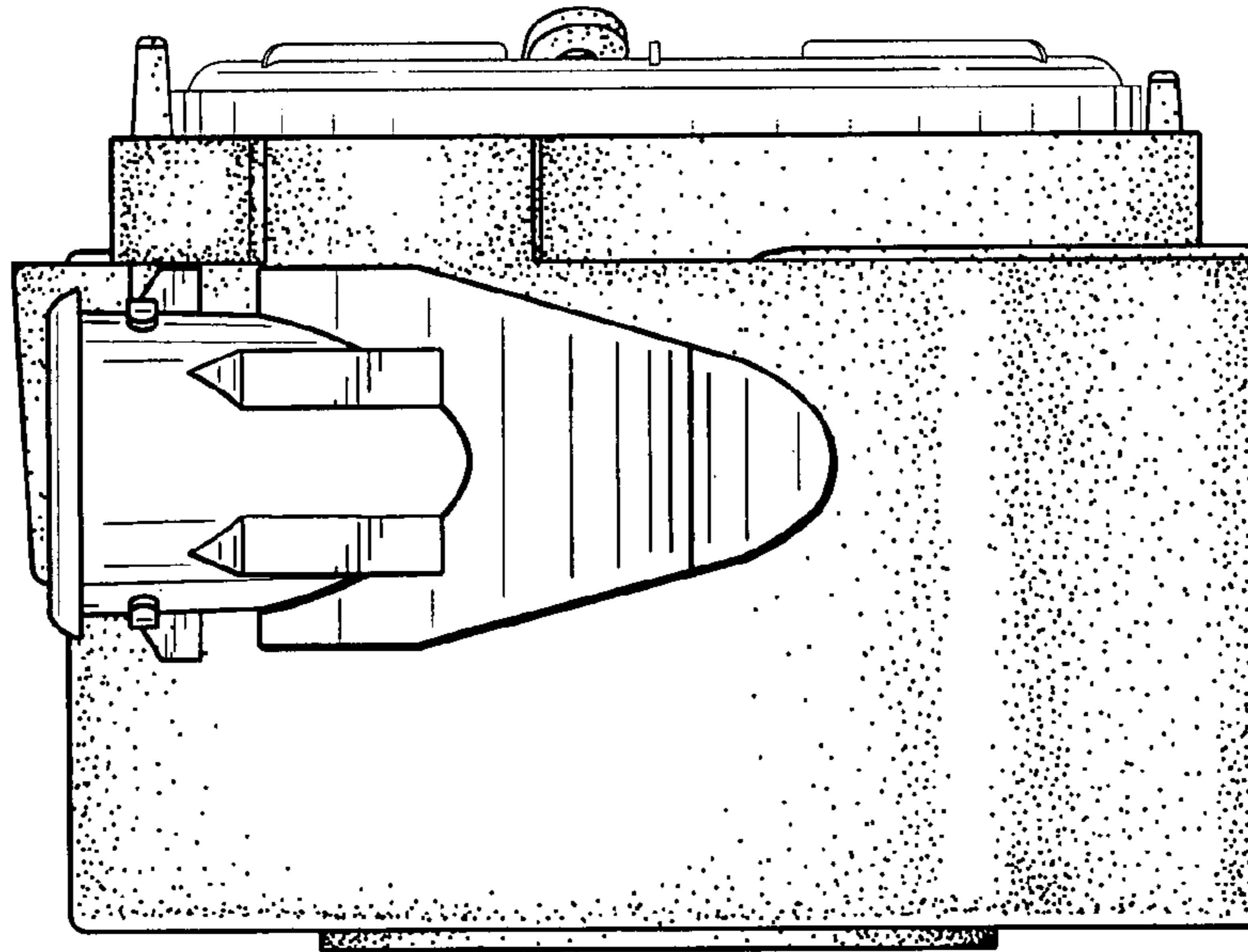


FIG. 13

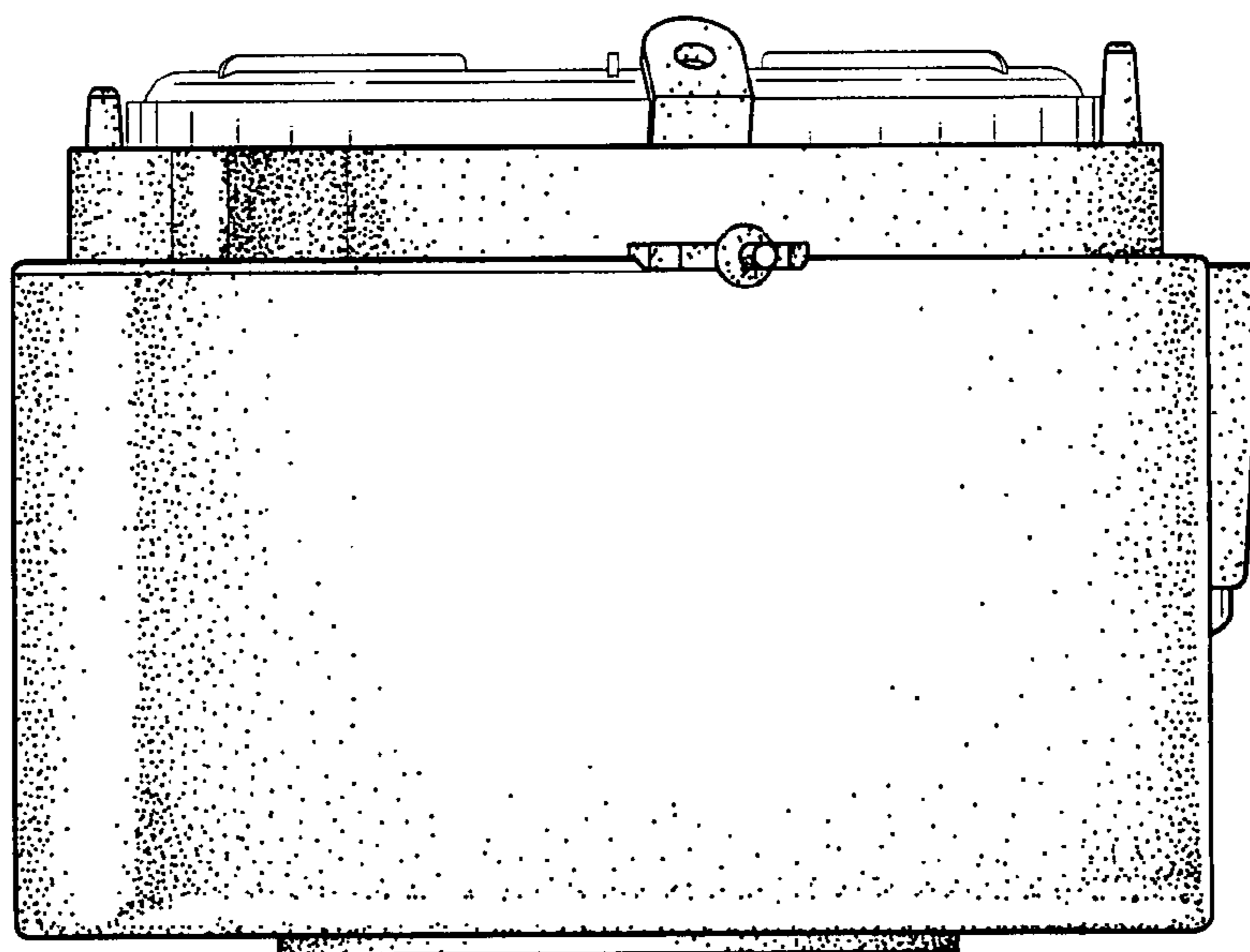


FIG. 14