



US00D589137S

(12) **United States Design Patent**
Kenyon

(10) **Patent No.:** **US D589,137 S**
(45) **Date of Patent:** **** Mar. 24, 2009**

- (54) **FLEXIBLE MOTOR SLEEVE**
- (75) Inventor: **Barton John Kenyon**, Ashfield (AU)
- (73) Assignee: **ResMed Limited**, Bella Vista (AU)
- (**) Term: **14 Years**
- (21) Appl. No.: **29/274,505**
- (22) Filed: **Apr. 27, 2007**

2005/0247314 A1* 11/2005 Virr et al. 128/203.16
 2006/0138878 A1* 6/2006 Hoffman et al. 310/43
 2007/0125386 A1* 6/2007 Quinn 128/207.11
 2007/0134085 A1* 6/2007 Daly et al. 415/198.1

FOREIGN PATENT DOCUMENTS

EP 0295455 12/1988
 WO WO 99/00601 1/1999
 WO WO 00/38771 7/2000
 WO WO 2004/112873 12/2004
 WO WO 2007/048206 5/2007

Related U.S. Application Data

- (63) Continuation-in-part of application No. PCT/AU2006/001616, filed on Oct. 27, 2006.
- (51) **LOC (9) Cl.** **29-02**
- (52) **U.S. Cl.** **D24/110**
- (58) **Field of Classification Search** D24/110, D24/164; 128/200.24, 203.12, 204.23, 204.21, 128/204.25, 204.16–204.18; 417/423.7, 417/427.12, 423.14, 423.1, 360; 415/10
See application file for complete search history.

OTHER PUBLICATIONS

U.S. Appl. No. 29/274,506, filed Apr. 27, 2007.
 U.S. Appl. No. 29/274,507, filed Apr. 27, 2007.
 U.S. Appl. No. 29/274,504, filed Apr. 27, 2007.
 International Search Report, Appln. No. PCT/AU2006/001616, Jan. 5, 2007.

* cited by examiner

Primary Examiner—Ian Simmons
Assistant Examiner—Wan Laymon
 (74) *Attorney, Agent, or Firm*—Nixon & Vanderhye PC

(56) **References Cited**

U.S. PATENT DOCUMENTS

D314,844 S * 2/1991 Baharad D24/110
 5,893,705 A 4/1999 Khan et al.
 D427,675 S * 7/2000 Hansel D24/110
 6,315,526 B1 11/2001 Jones
 6,357,463 B1 * 3/2002 Wickham et al. 137/12
 6,371,738 B2 * 4/2002 Jones 417/363
 D468,011 S * 12/2002 Lithgow et al. D24/110
 6,565,334 B1 5/2003 Bradbury et al.
 D497,203 S * 10/2004 Lithgow et al. D24/110
 7,012,346 B2 * 3/2006 Hoffman et al. 310/43
 D544,598 S * 6/2007 Lithgow et al. D24/110
 D560,795 S * 1/2008 Lithgow et al. D24/110
 2003/0168064 A1 9/2003 Daly et al.
 2004/0071552 A1 * 4/2004 Truitt et al. 416/223 A

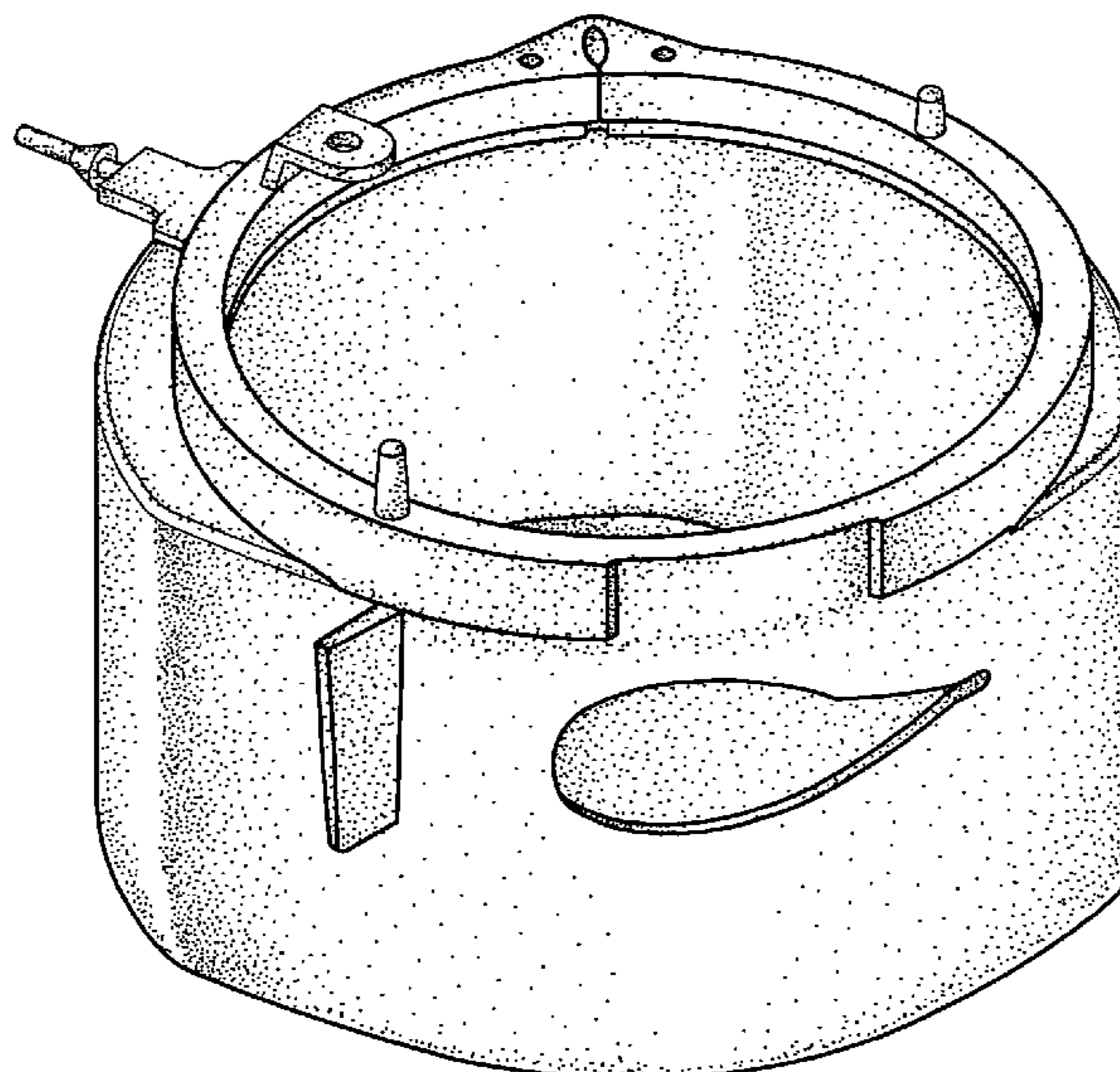
(57) **CLAIM**

The ornamental design for a flexible motor sleeve, as shown.

DESCRIPTION

FIG. 1 is a front perspective view of a flexible motor sleeve according to a first embodiment of my design;
 FIG. 2 is a front view thereof;
 FIG. 3 is a rear view thereof;
 FIG. 4 is a top view thereof;
 FIG. 5 is a bottom view thereof;
 FIG. 6 is a right view thereof; and,
 FIG. 7 is a left view thereof.

1 Claim, 4 Drawing Sheets



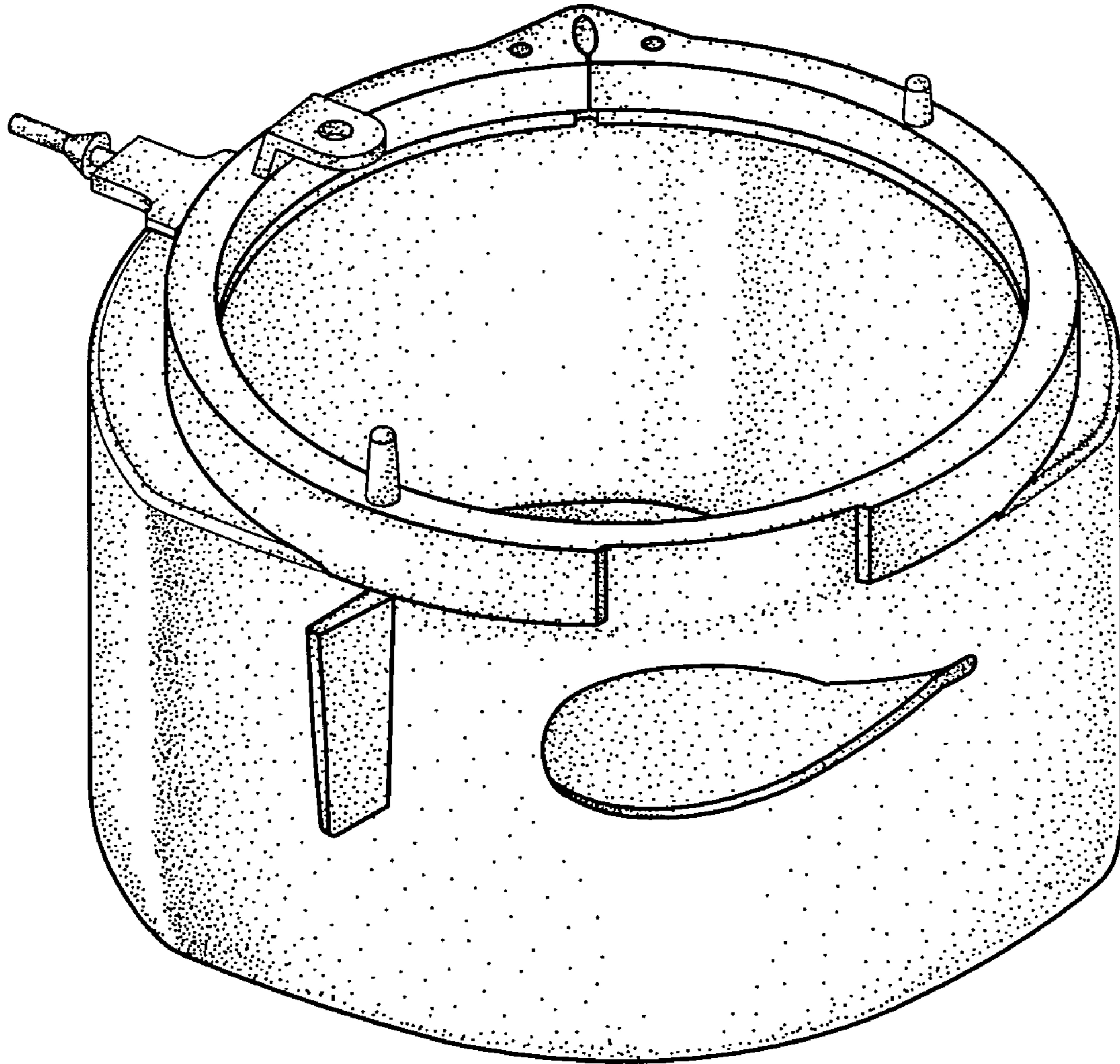


FIG. 1

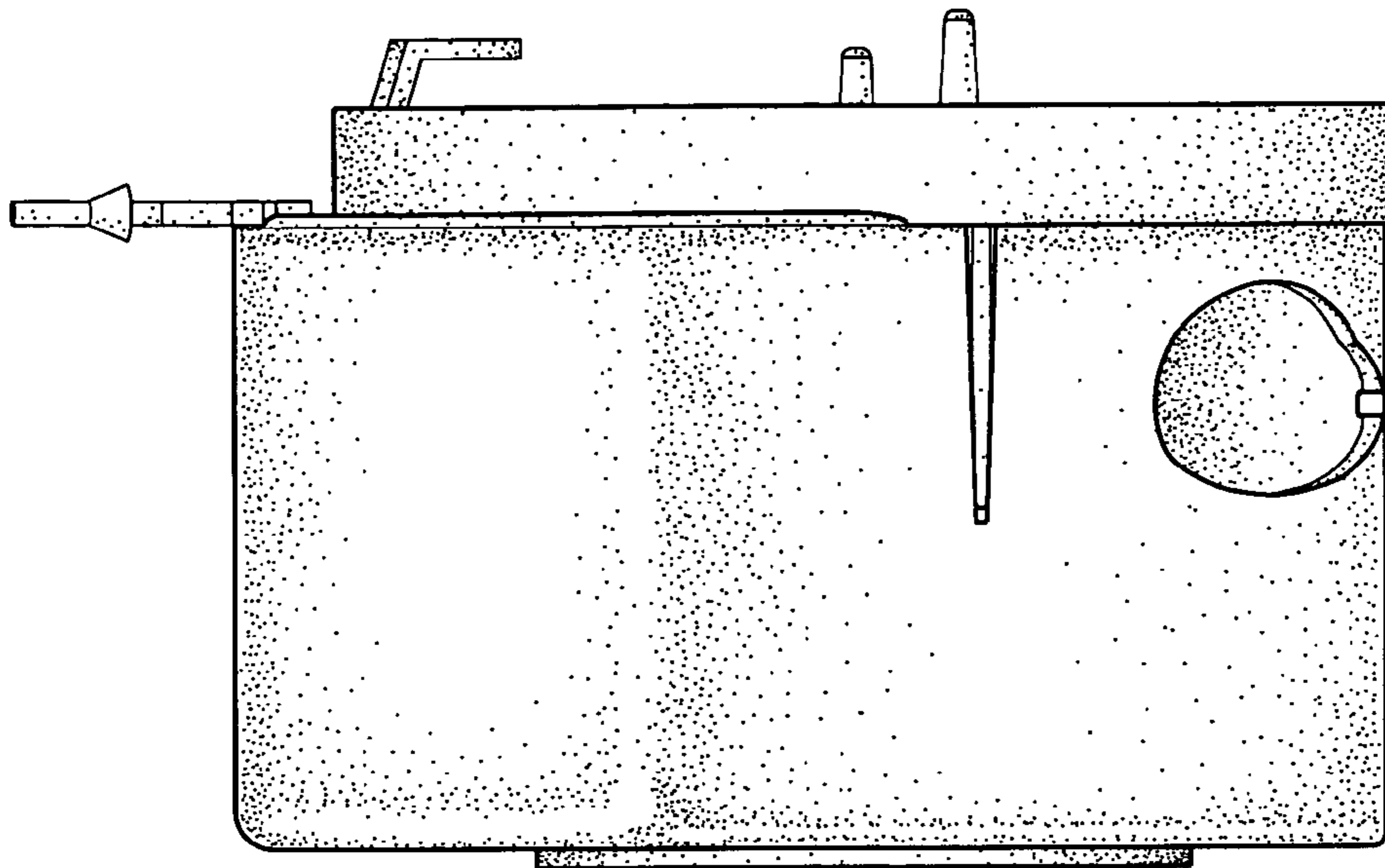


FIG. 2

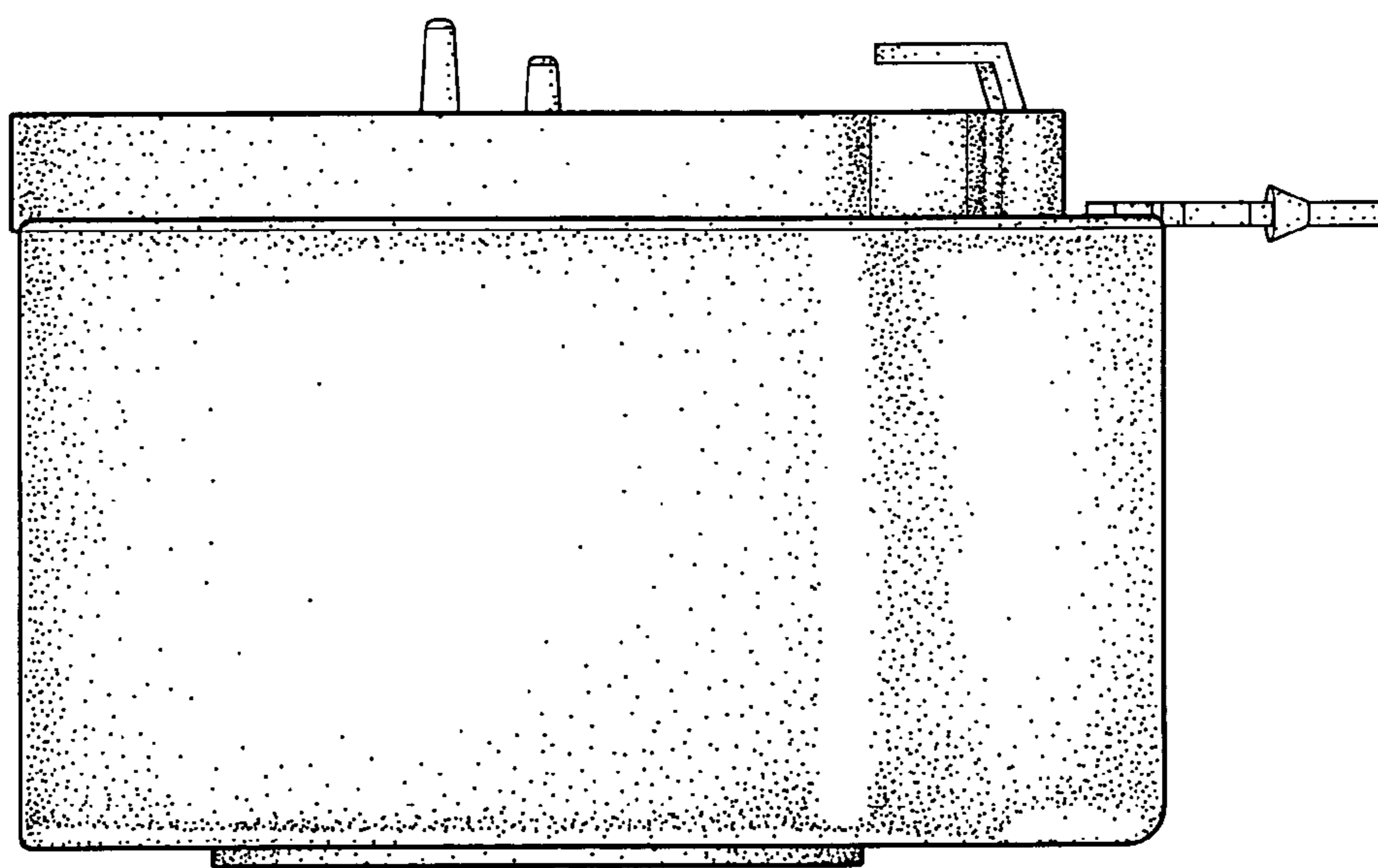


FIG. 3

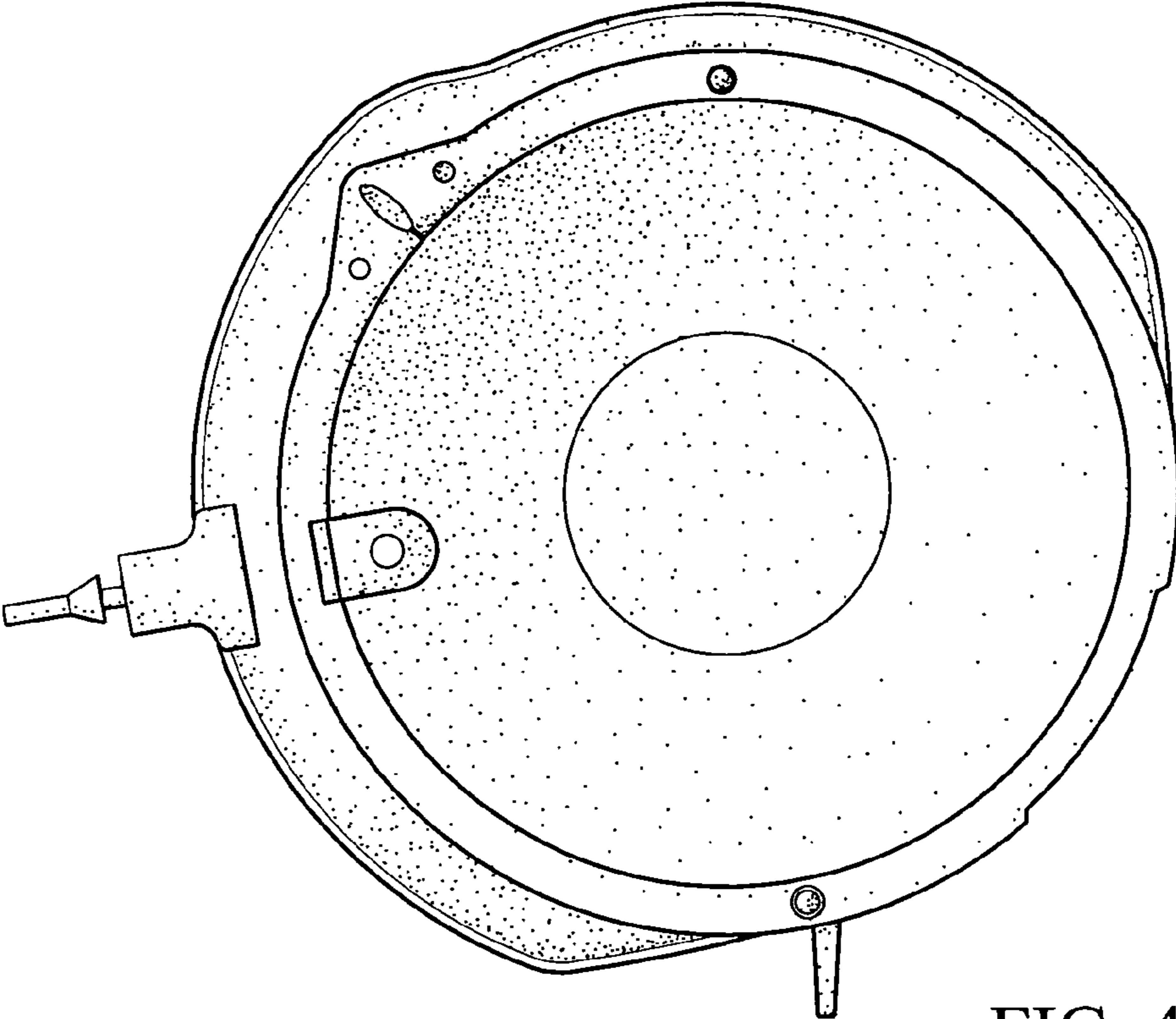


FIG. 4

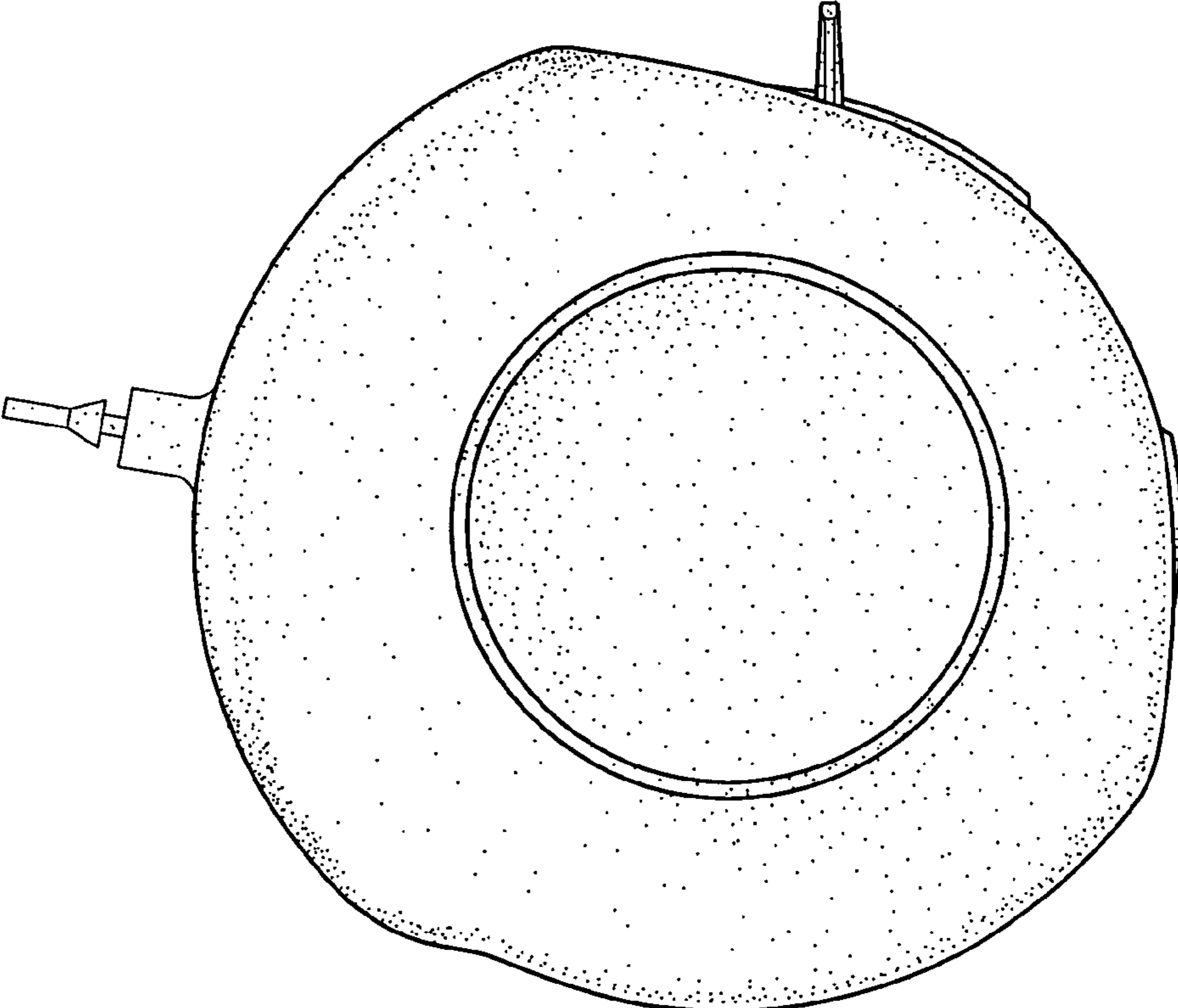


FIG. 5

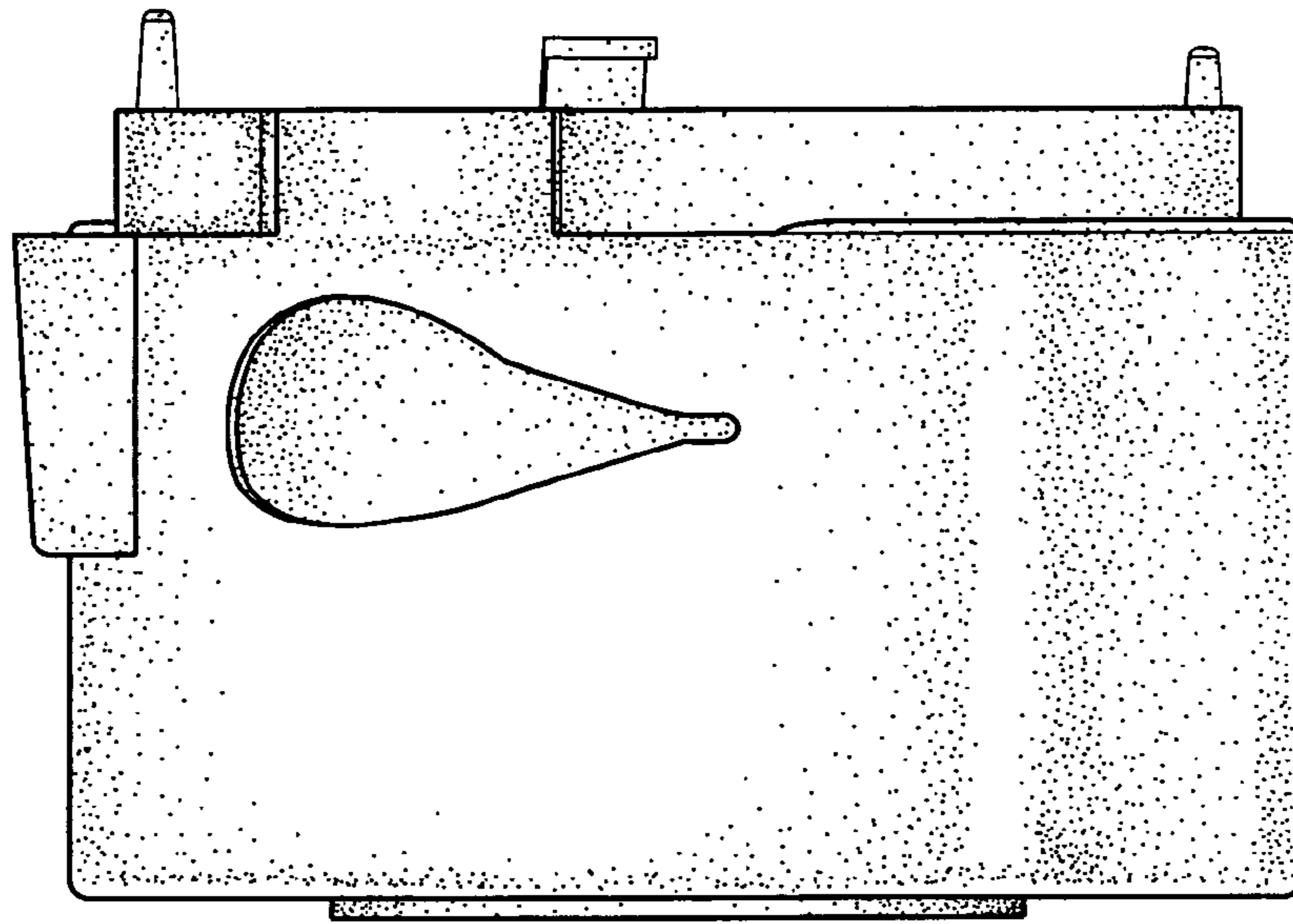


FIG. 6

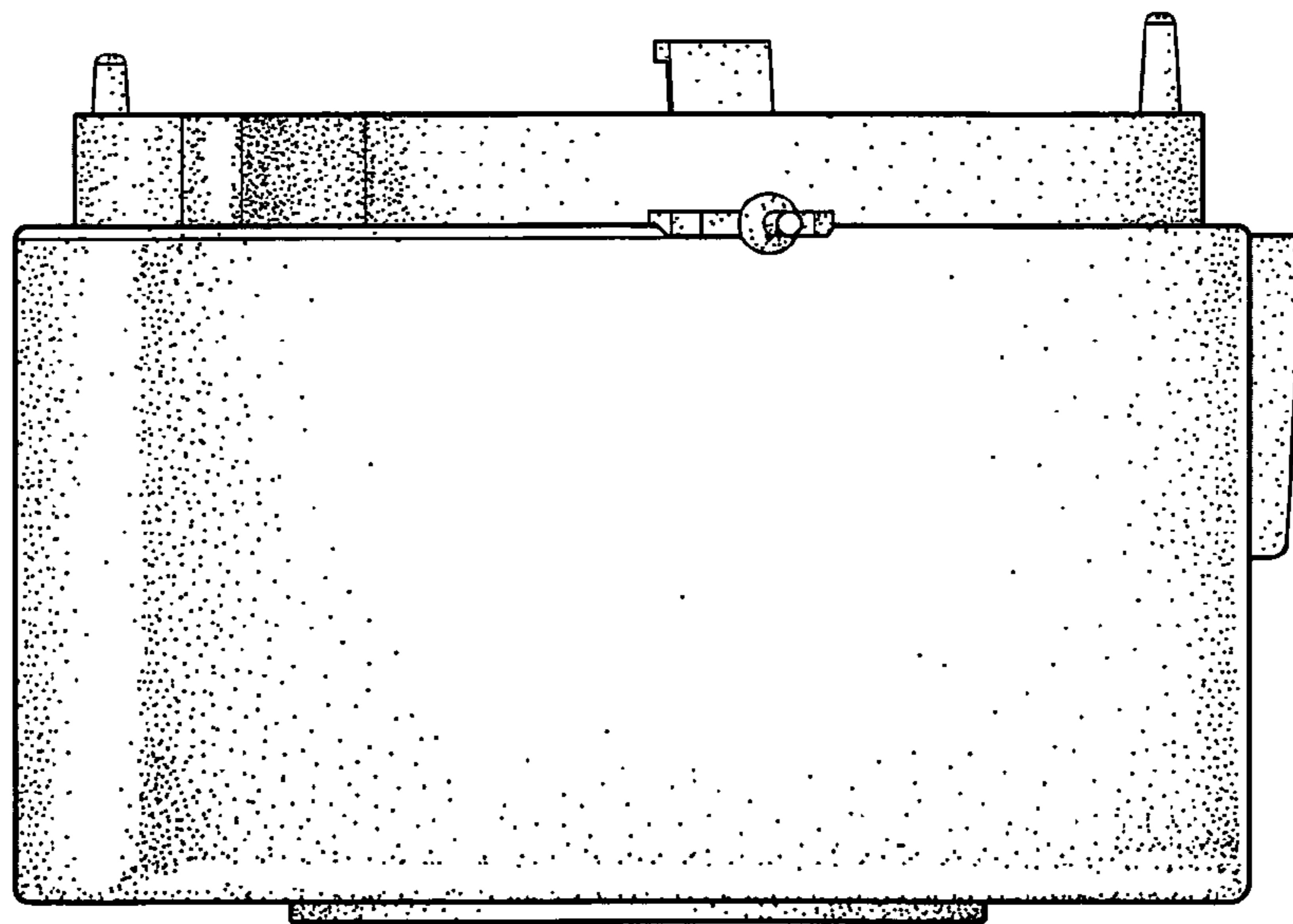


FIG. 7