



US00D589136S

(12) **United States Design Patent**  
**Kenyon et al.**

(10) **Patent No.:** **US D589,136 S**  
(45) **Date of Patent:** **\*\* Mar. 24, 2009**

(54) **MOTOR HOUSING**

(75) Inventors: **Barton John Kenyon**, Ashfield (AU);  
**David B. Sears**, Woodland Hills, CA  
(US); **Michael Bruce Moir**, Newbury  
Park, CA (US); **Michael David Bednar**,  
Playa del Rey, CA (US); **Richard G.**  
**Krum**, Thousand Oaks, CA (US)

(73) Assignee: **ResMed Motor Technologies Inc.**,  
Chatsworth, CA (US)

(\*\*) Term: **14 Years**

(21) Appl. No.: **29/274,504**

(22) Filed: **Apr. 27, 2007**

**Related U.S. Application Data**

(63) Continuation-in-part of application No. PCT/  
AU2006/001616, filed on Oct. 27, 2006.

(51) **LOC (9) Cl.** ..... **29-02**

(52) **U.S. Cl.** ..... **D24/110; D24/164**

(58) **Field of Classification Search** ..... D24/110,  
D24/164; 128/200.24, 204.18, 203.12, 204.23,  
128/204.21, 204.25, 204.17, 204.16; 417/423.7,  
417/427.12, 423.14, 423.1, 360; 415/10  
See application file for complete search history.

(56) **References Cited**

**U.S. PATENT DOCUMENTS**

D314,844	S *	2/1991	Baharad	.....	D24/110
5,893,705	A	4/1999	Khan et al.		
D427,675	S *	7/2000	Hansel	.....	D24/110
6,315,526	B1	11/2001	Jones		
6,357,463	B1 *	3/2002	Wickham et al.	.....	137/12
6,371,738	B2 *	4/2002	Jones	.....	417/363
D468,011	S *	12/2002	Lithgow et al.	.....	D24/110
6,565,334	B1	5/2003	Bradbury et al.		
D497,203	S *	10/2004	Lithgow et al.	.....	D24/110
7,012,346	B2 *	3/2006	Hoffman et al.	.....	310/43
D544,598	S *	6/2007	Lithgow et al.	.....	D24/110
D560,795	S *	1/2008	Lithgow et al.	.....	D24/110

2003/0168064	A1	9/2003	Daly et al.		
2004/0071552	A1 *	4/2004	Truitt et al.	.....	416/223 A
2005/0247314	A1 *	11/2005	Virr et al.	.....	128/203.16
2006/0138878	A1 *	6/2006	Hoffman et al.	.....	310/43
2007/0125386	A1 *	6/2007	Quinn	.....	128/207.11
2007/0134085	A1 *	6/2007	Daly et al.	.....	415/198.1

**FOREIGN PATENT DOCUMENTS**

EP	0295455	12/1988
WO	WO 99/00601	1/1999
WO	WO 00/38771	7/2000
WO	WO 2004/112873	12/2004
WO	WO 2007/048206	5/2007

**OTHER PUBLICATIONS**

U.S. Appl. No. 29/274,505, filed Apr. 27, 2007.  
U.S. Appl. No. 29/274,506, filed Apr. 27, 2007.  
U.S. Appl. No. 29/274,507, filed Apr. 27, 2007.  
International Search Report, Appln. No. PCT/AU2006/001616, Jan.  
5, 2007.

\* cited by examiner

*Primary Examiner*—Ian Simmons

*Assistant Examiner*—Wan Laymon

(74) *Attorney, Agent, or Firm*—Nixon & Vanderhye PC

(57) **CLAIM**

The ornamental design for a motor housing, as shown and  
described.

**DESCRIPTION**

FIG. 1 is a front perspective view of a motor housing accord-  
ing to a first embodiment of our design;

FIG. 2 is a front view thereof;

FIG. 3 is a rear view thereof;

FIG. 4 is a top view thereof;

FIG. 5 is a bottom view thereof;

FIG. 6 is a right side view thereof;

FIG. 7 is a left side view thereof;

FIG. 8 is a front perspective view of a motor housing accord-  
ing to a second embodiment of our design;

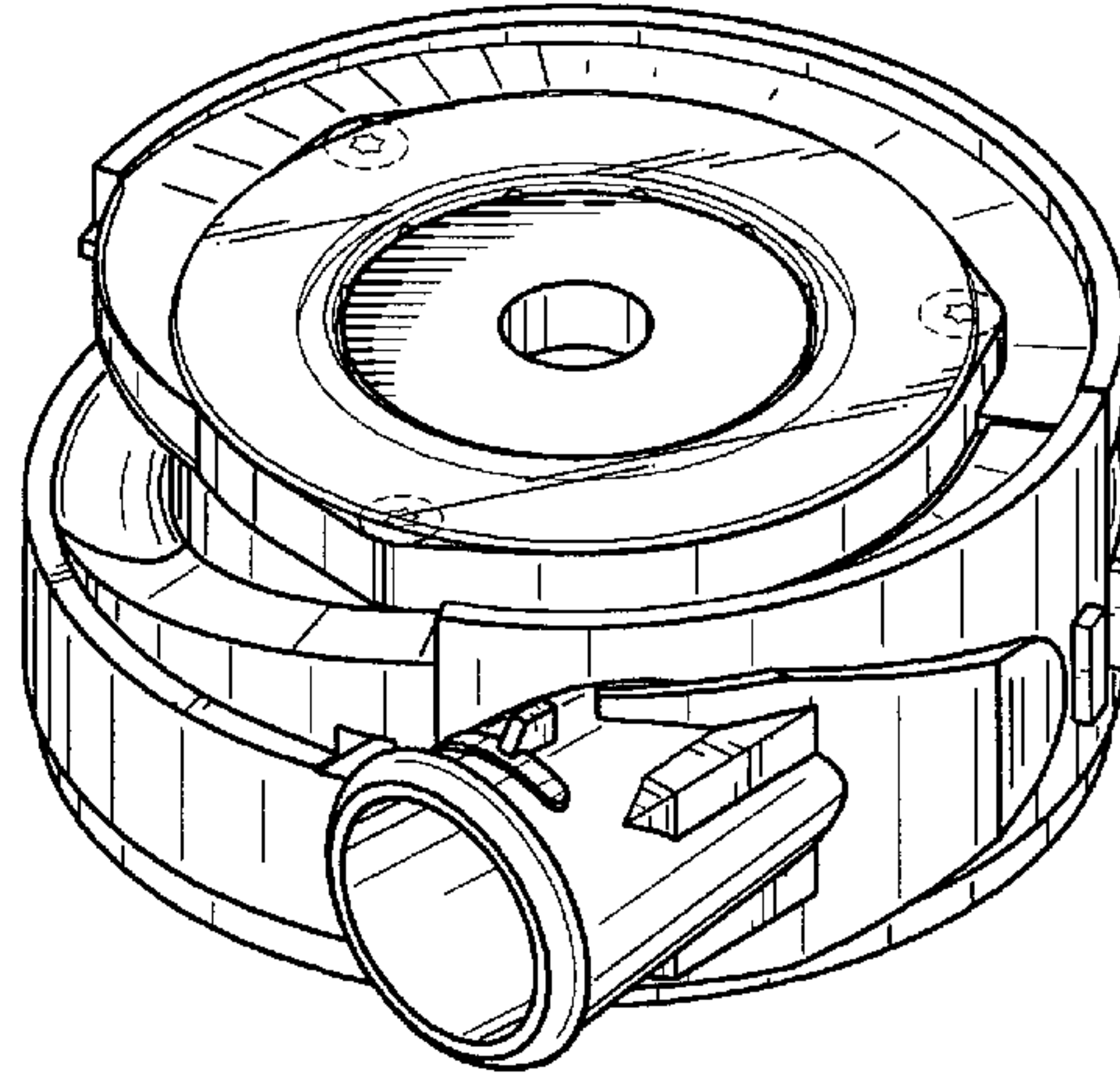
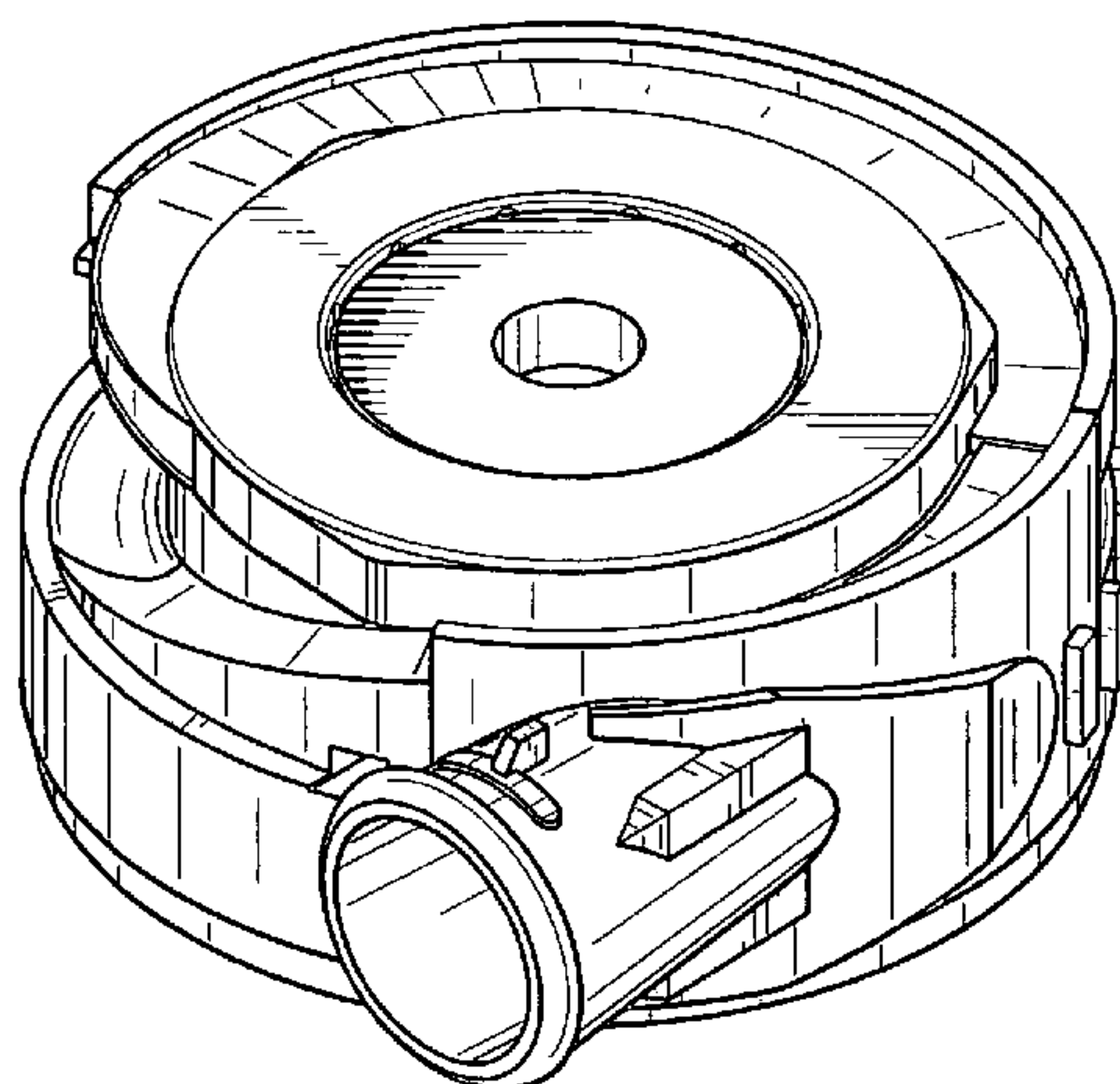


FIG. **9** is a front view thereof;

FIG. **10** is a rear view thereof;

FIG. **11** is a top view thereof;

FIG. **12** is a bottom view thereof;

FIG. **13** is a right side view thereof;

FIG. **14** is a left side view thereof;

FIG. **15** is a front perspective view of a motor housing according to a third embodiment of our design;

FIG. **16** is a front view thereof;

FIG. **17** is a rear view thereof;

FIG. **18** is a top view thereof;

FIG. **19** is a bottom view thereof;

FIG. **20** is a right side view thereof; and,

FIG. **21** is a left side view thereof.

Where included, broken lines showing environment or structure are for illustrative purposes only and form no part of the claimed design.

**1 Claim, 12 Drawing Sheets**

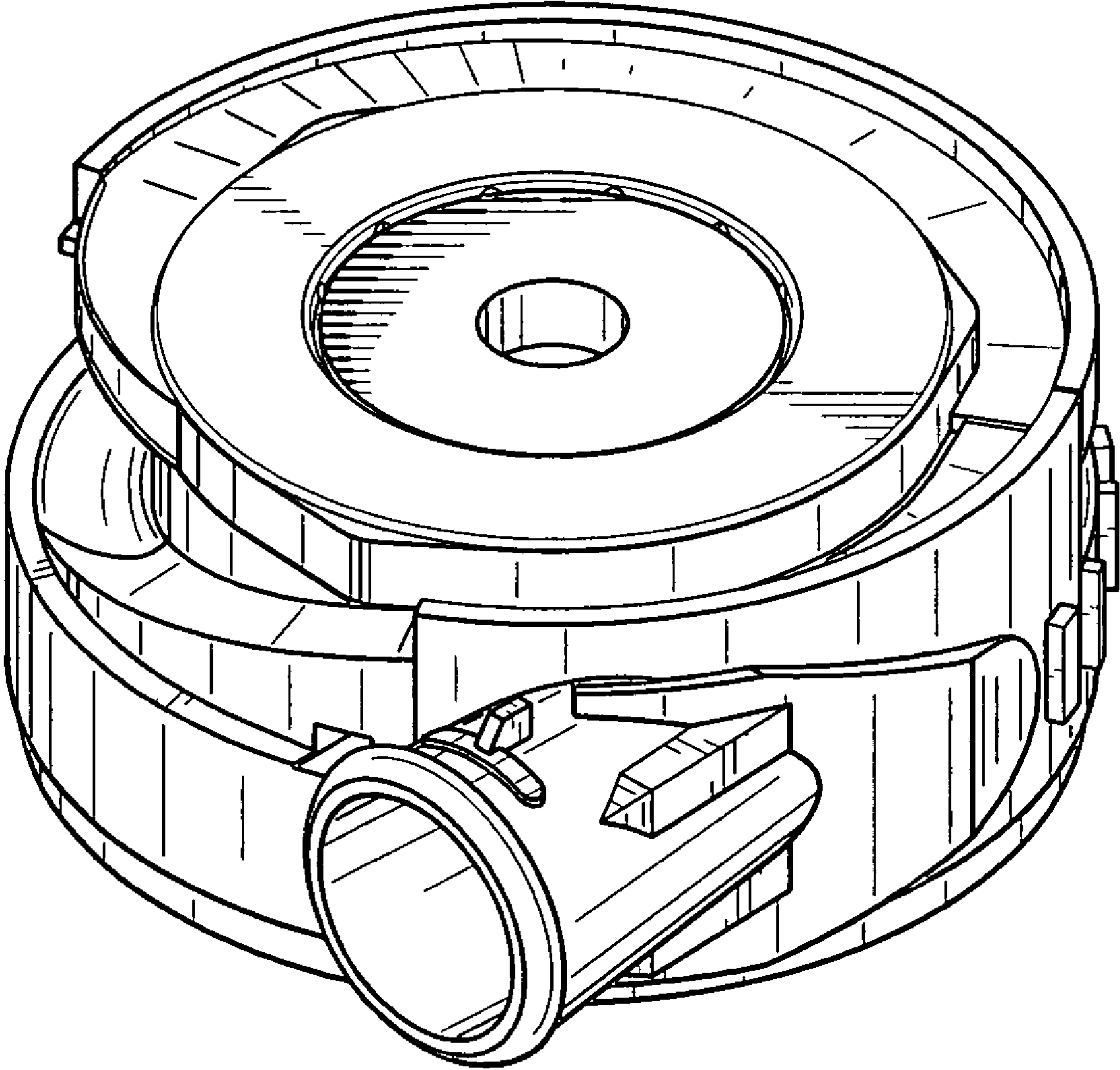
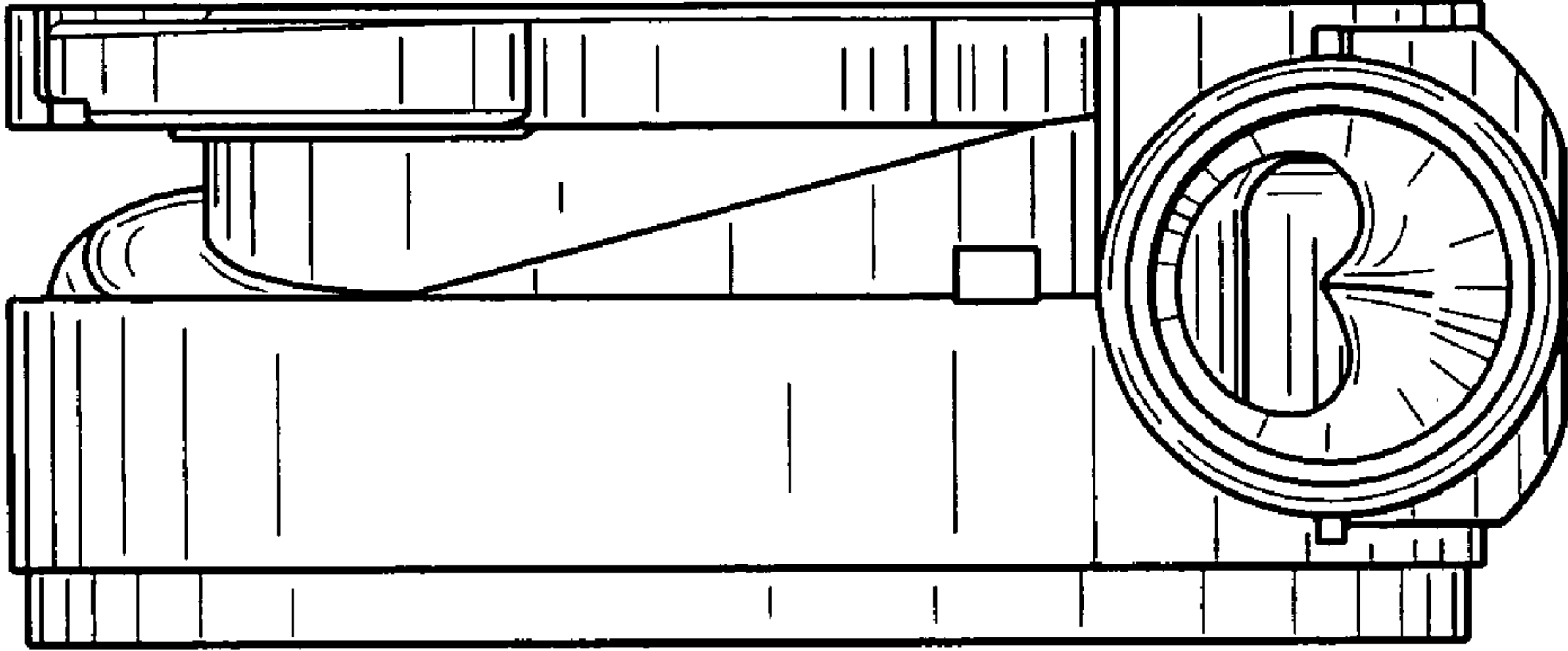
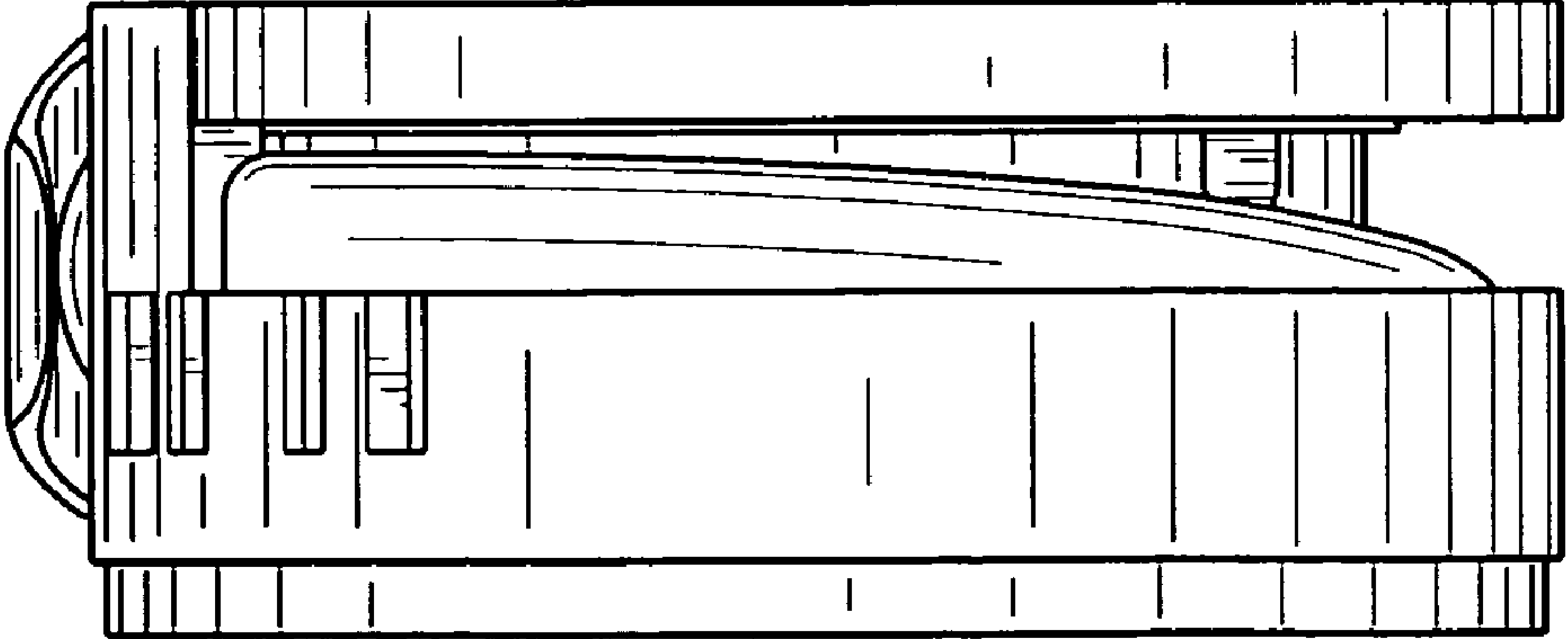


FIG. 1

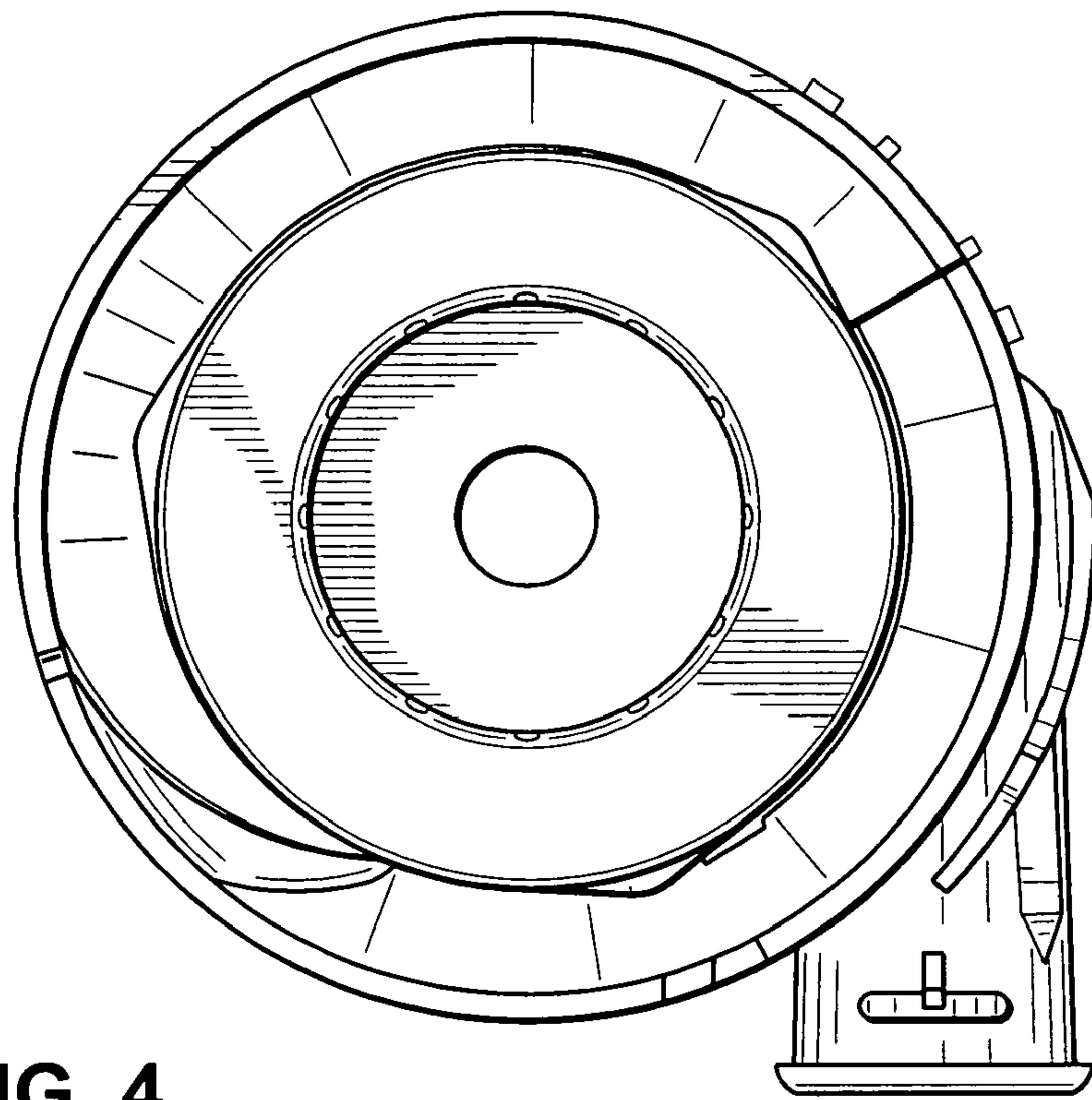


**FIG. 2**

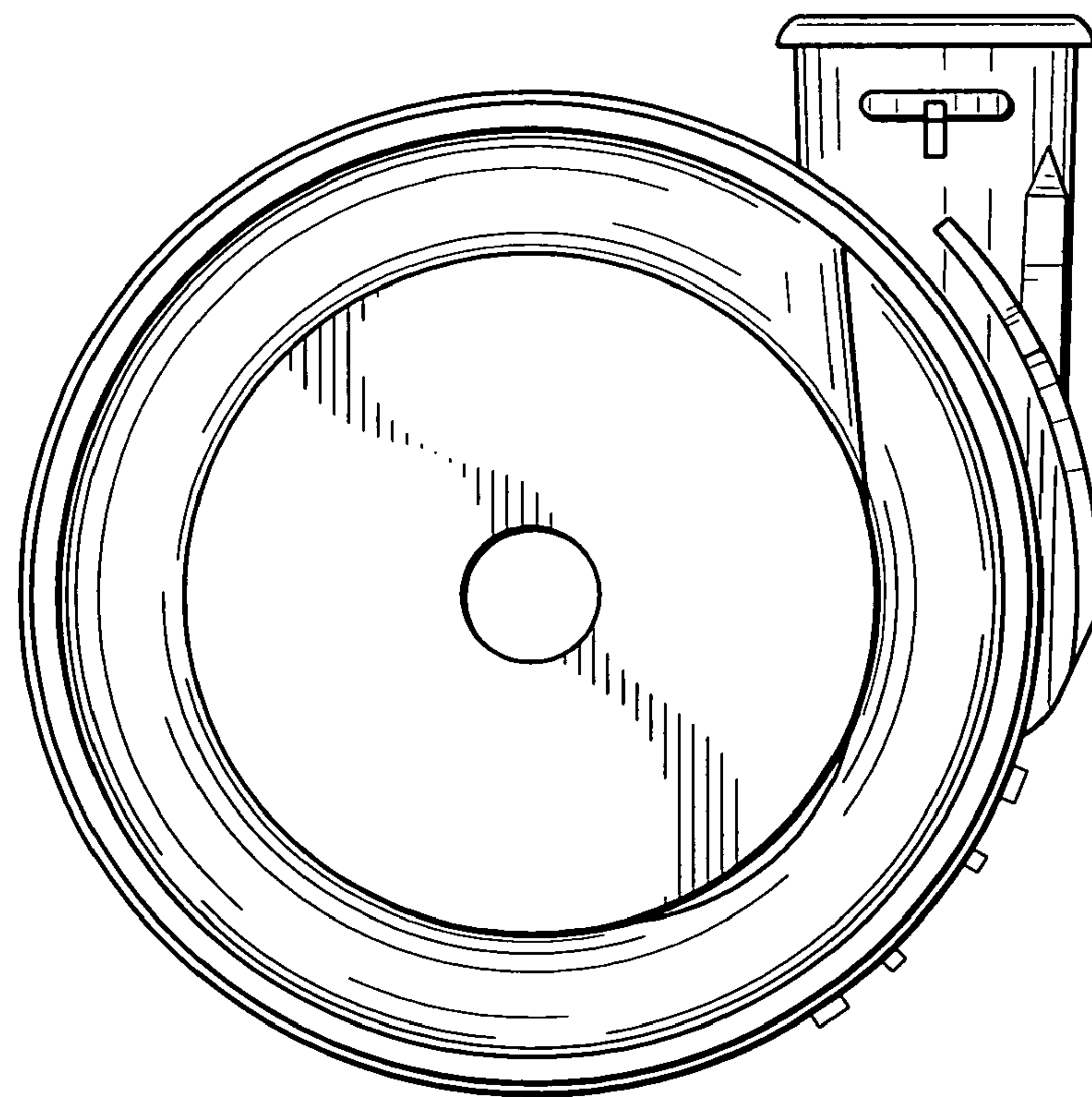


**FIG. 3**

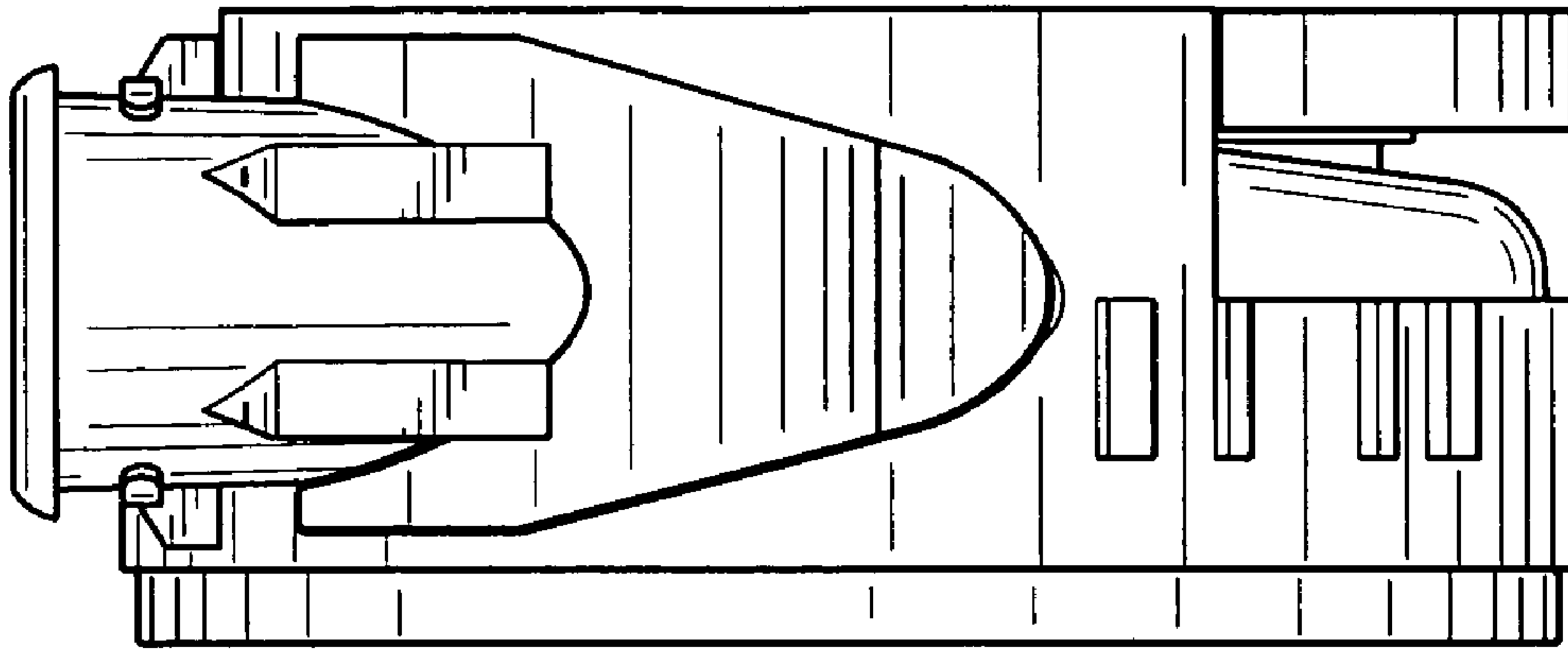




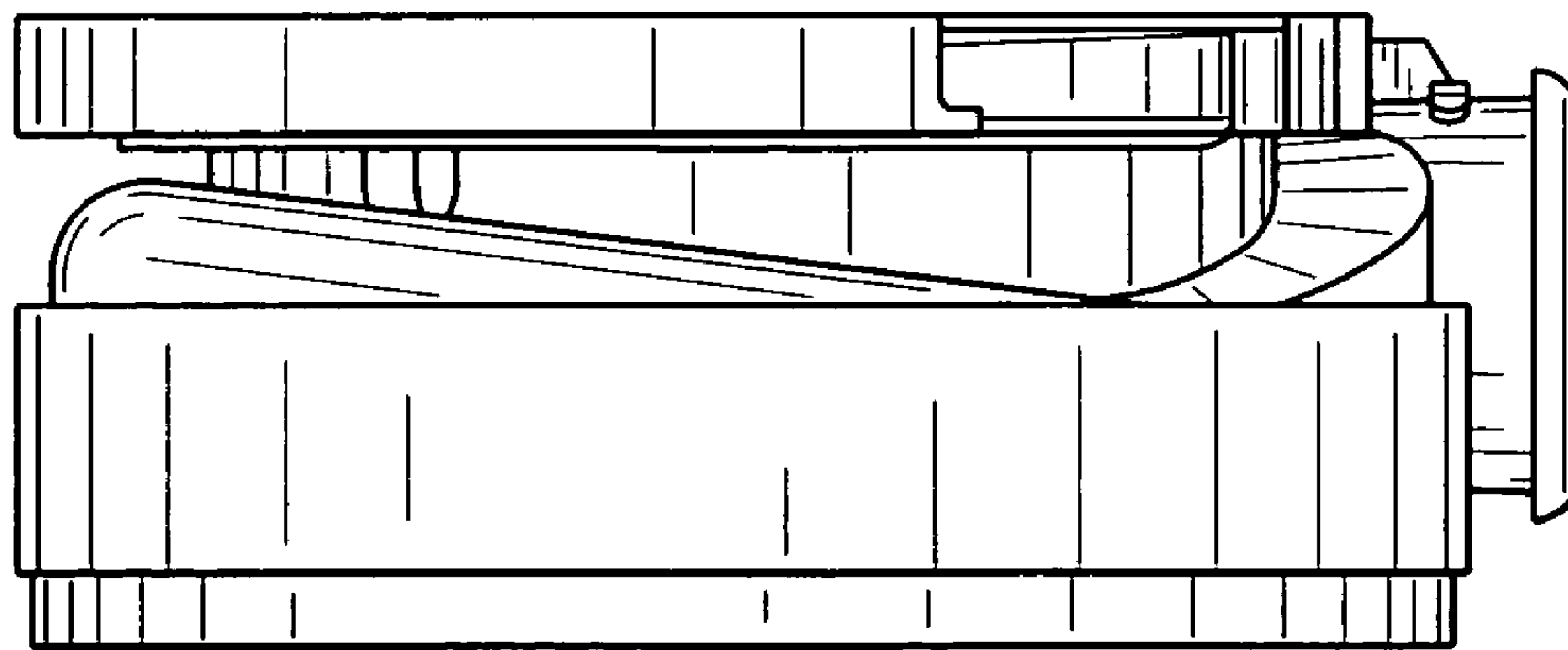
**FIG. 4**



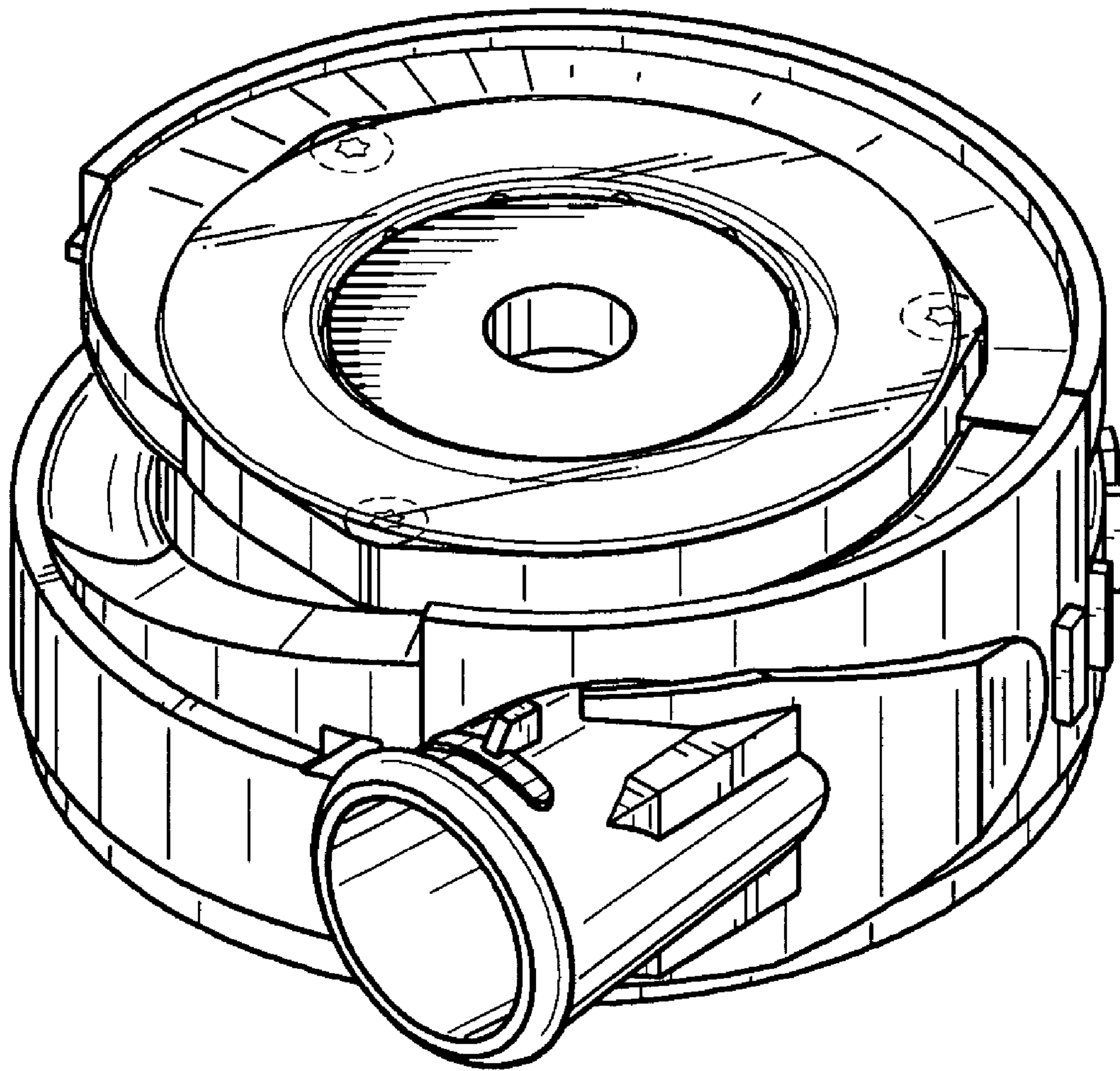
**FIG. 5**



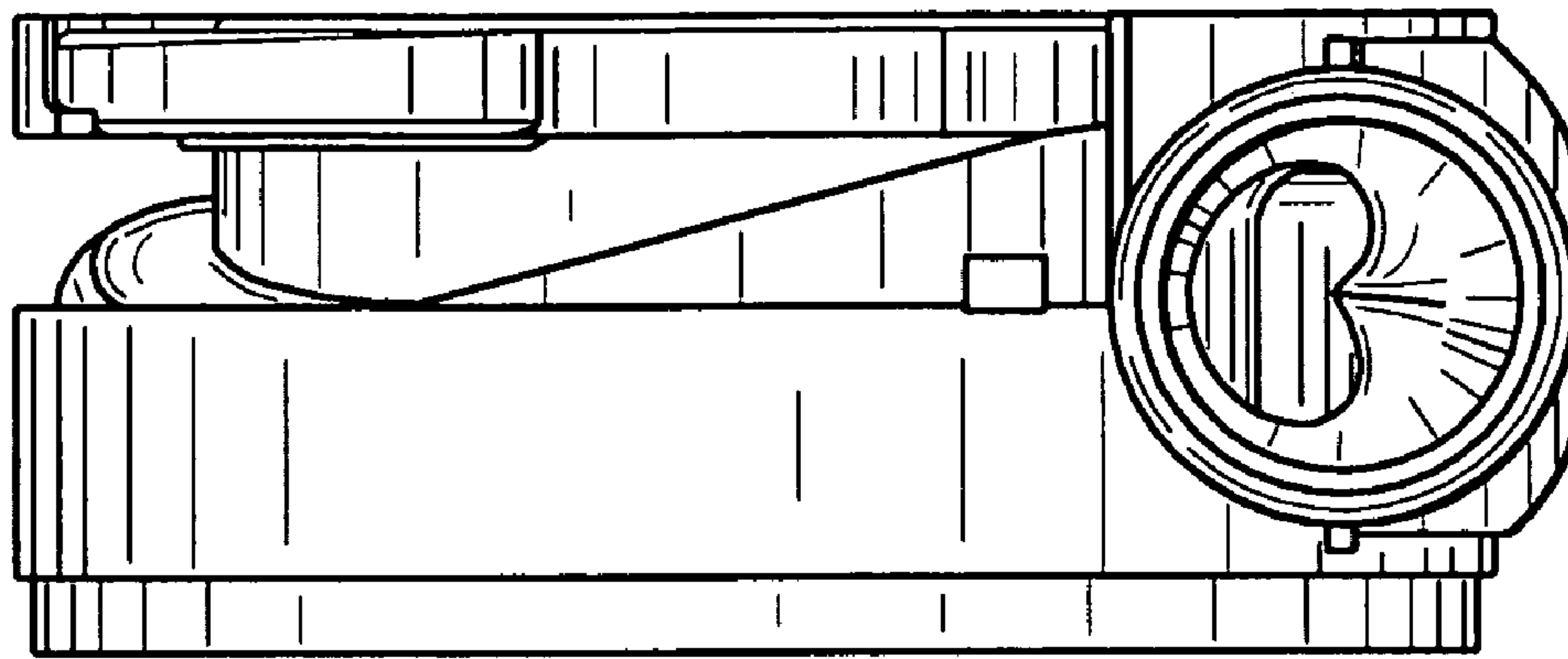
**FIG. 6**



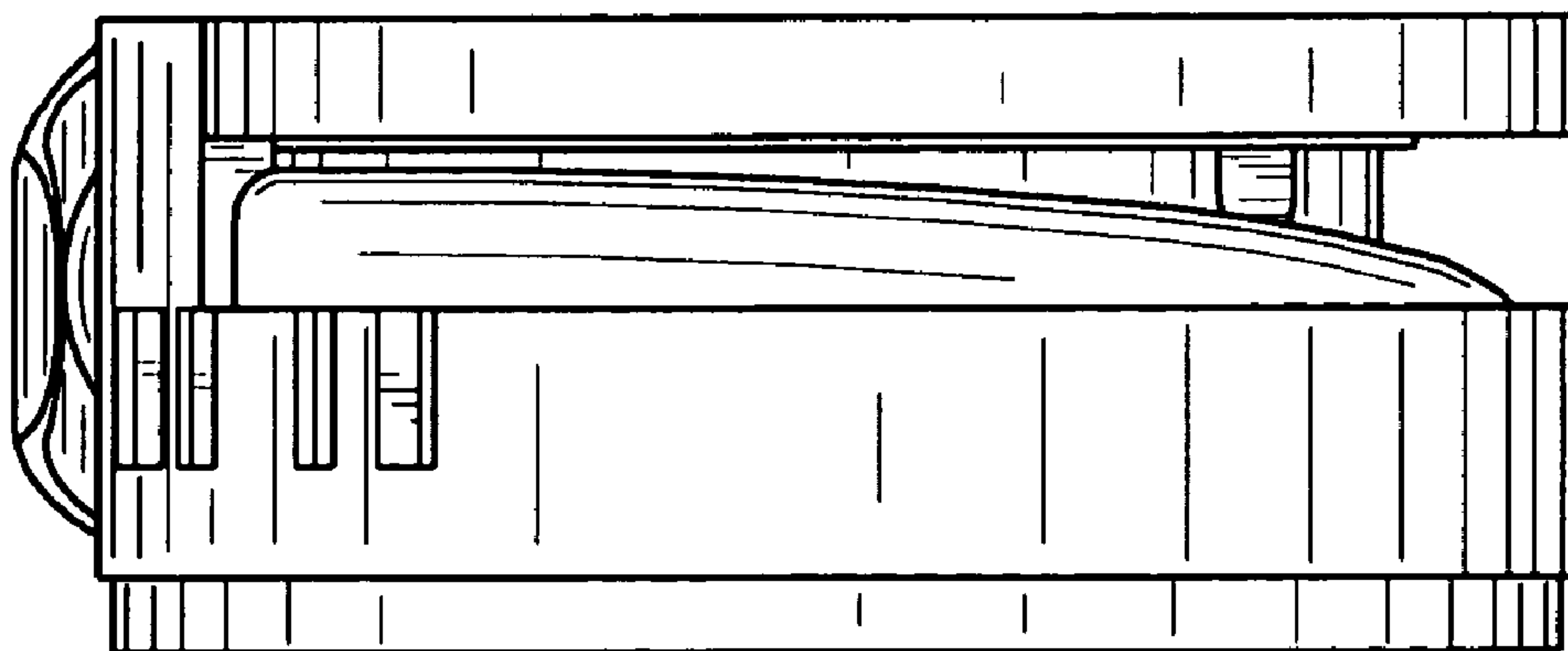
**FIG. 7**



**FIG. 8**



**FIG. 9**



**FIG. 10**



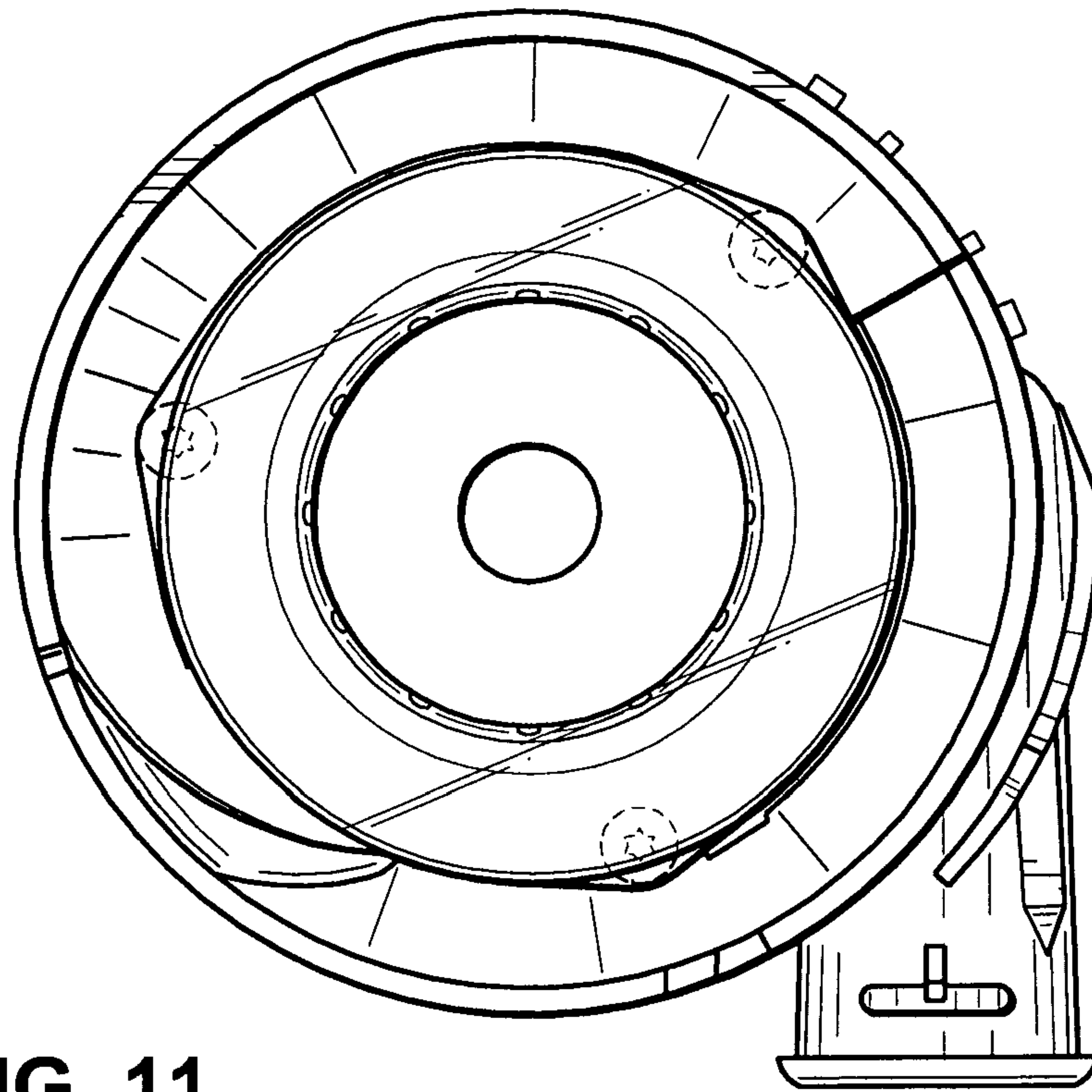


FIG. 11

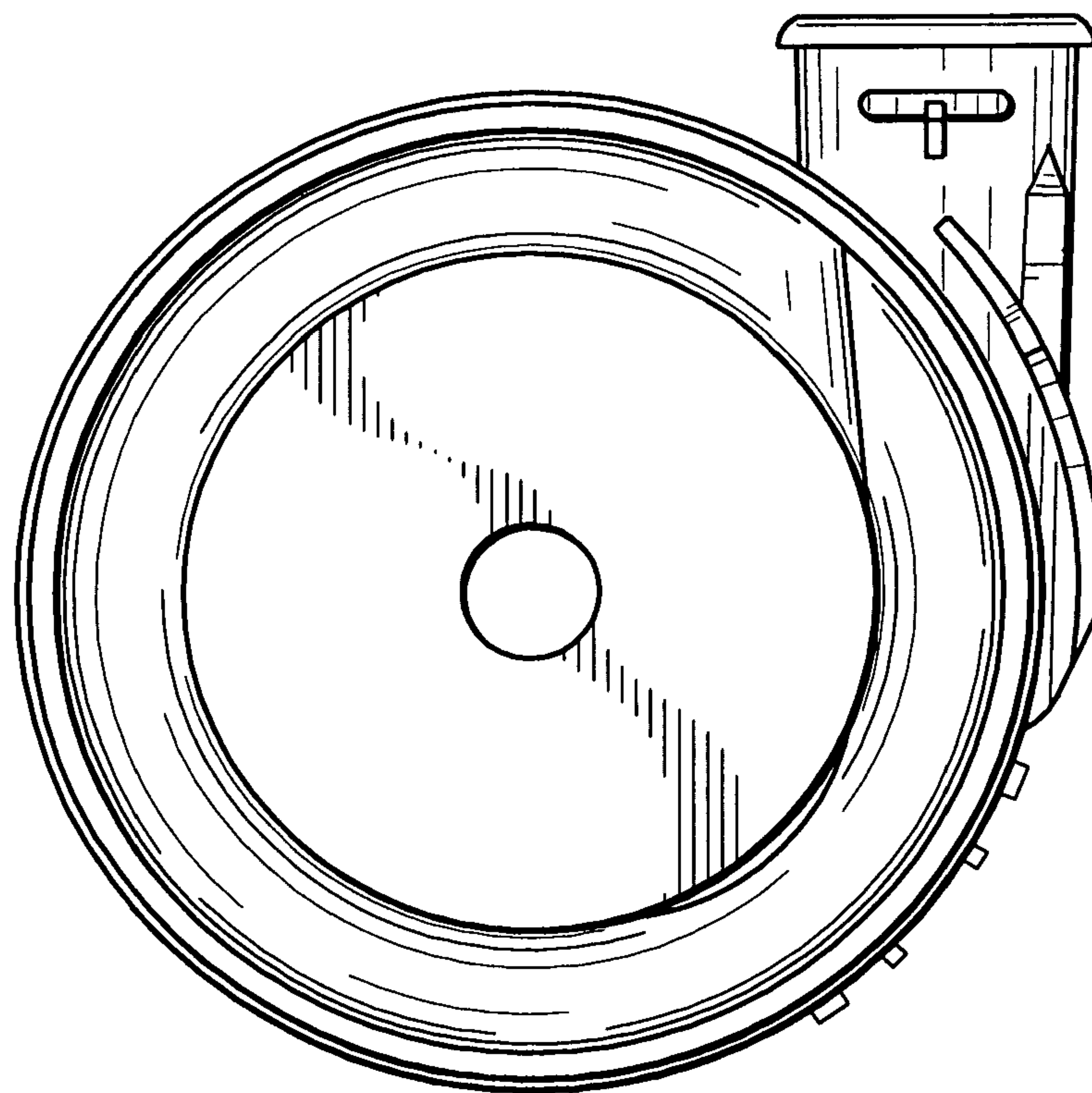
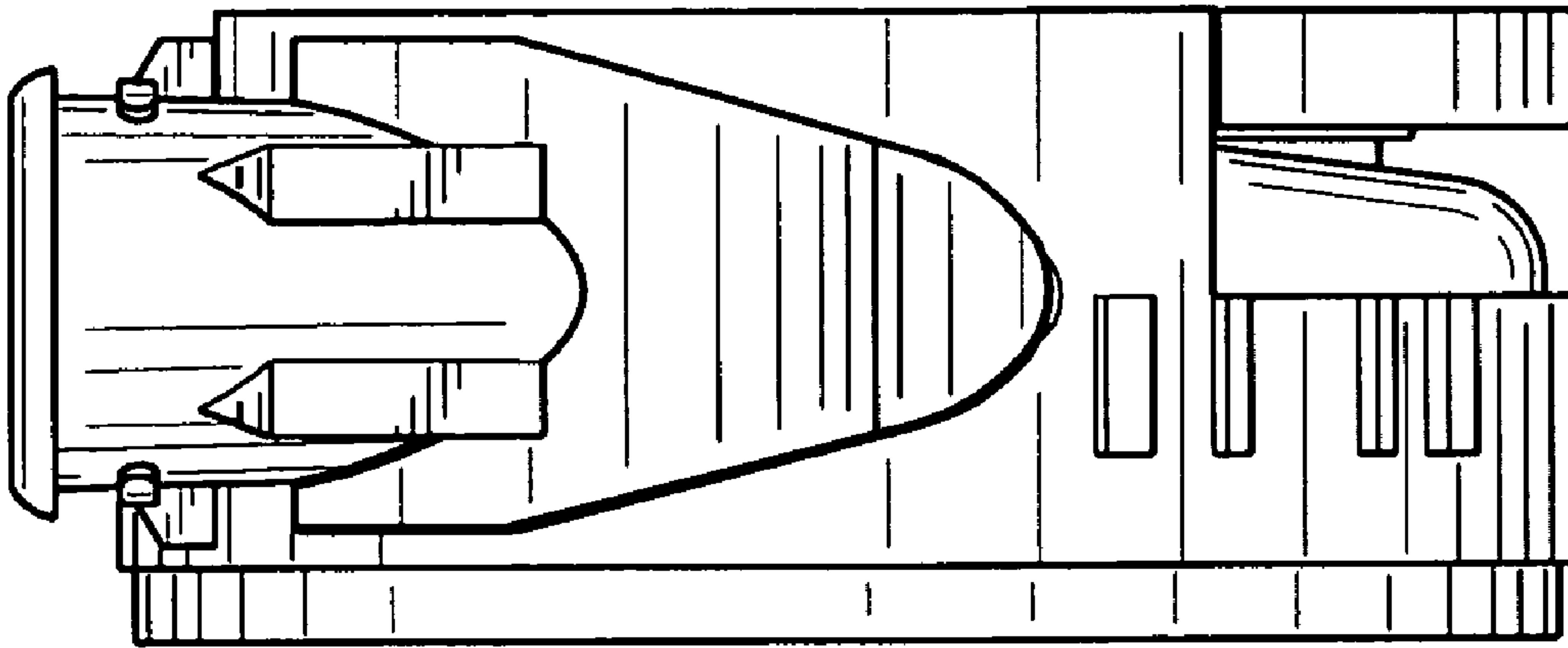
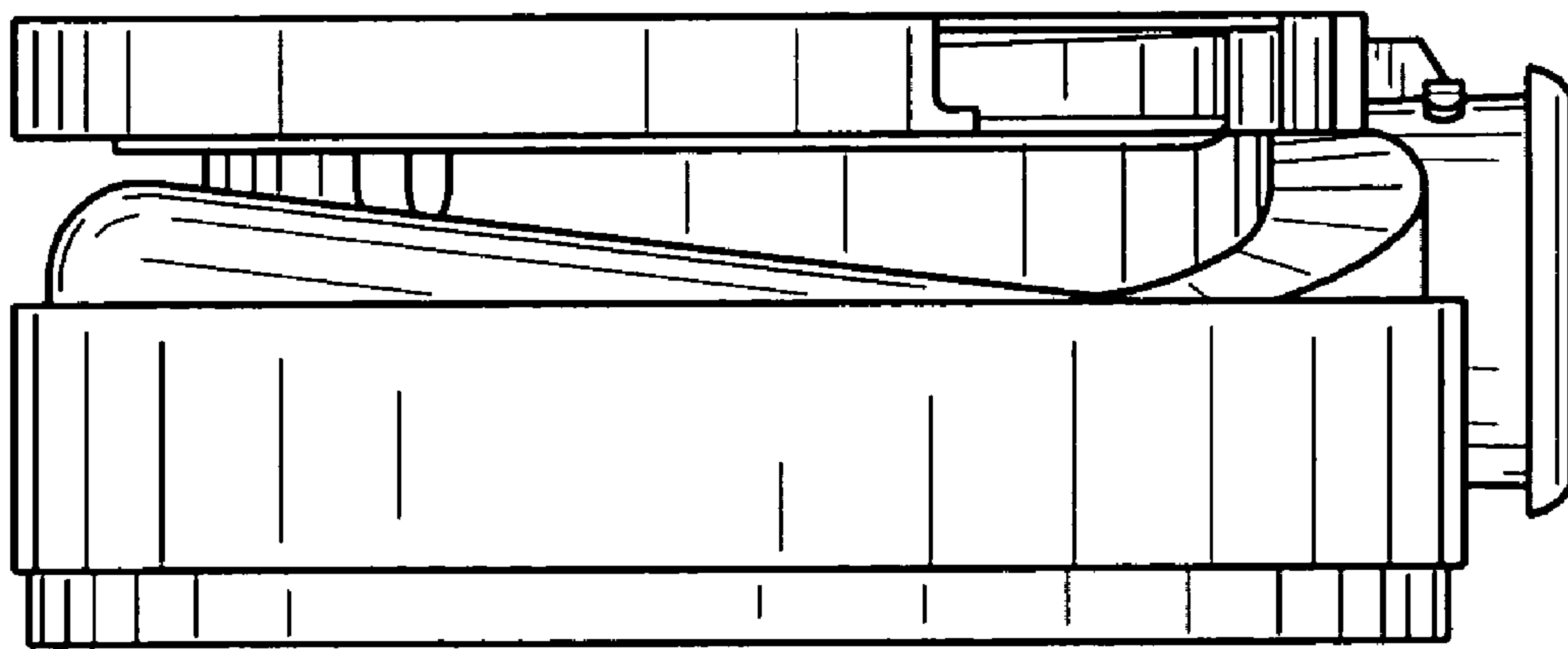


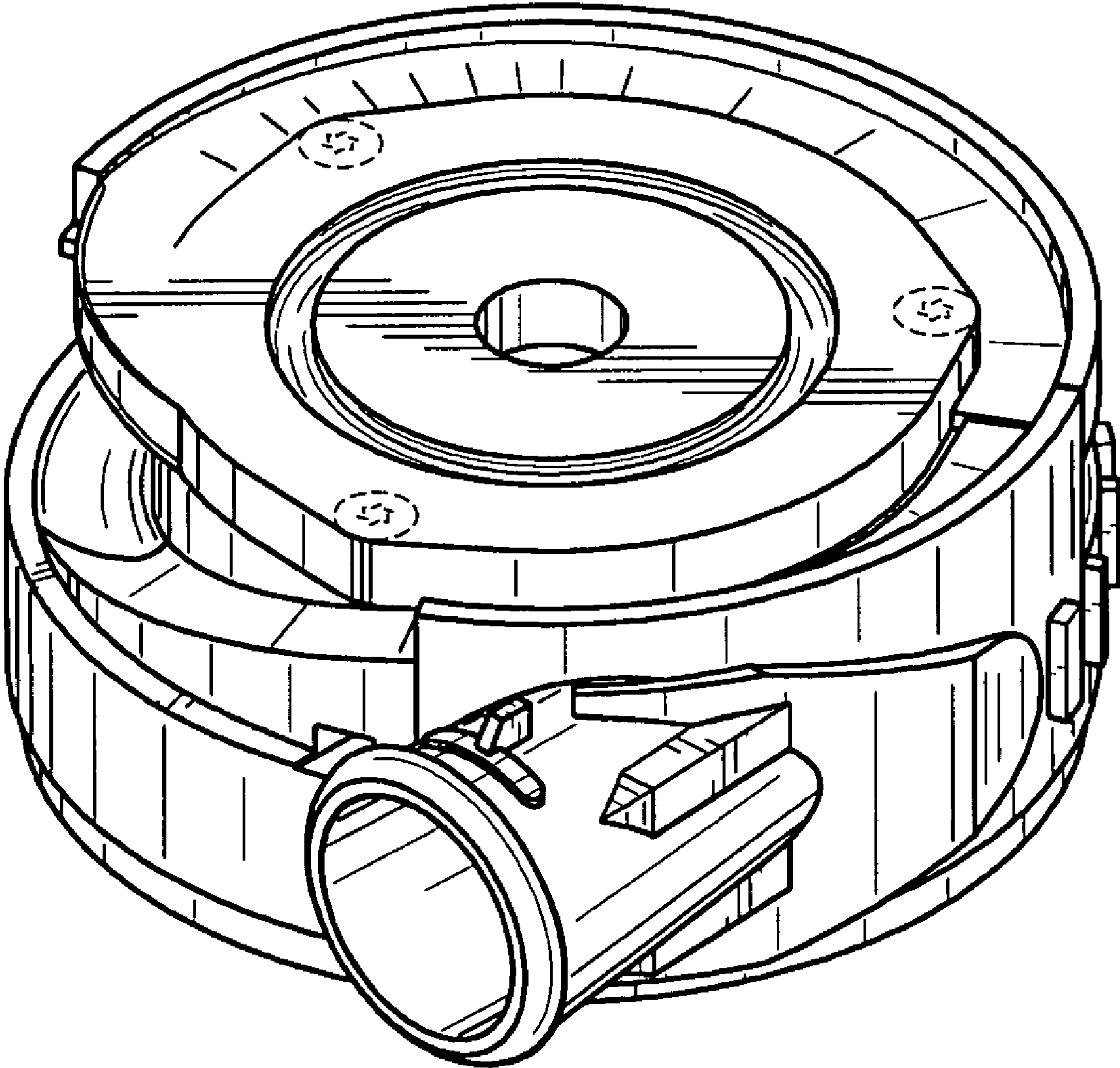
FIG. 12



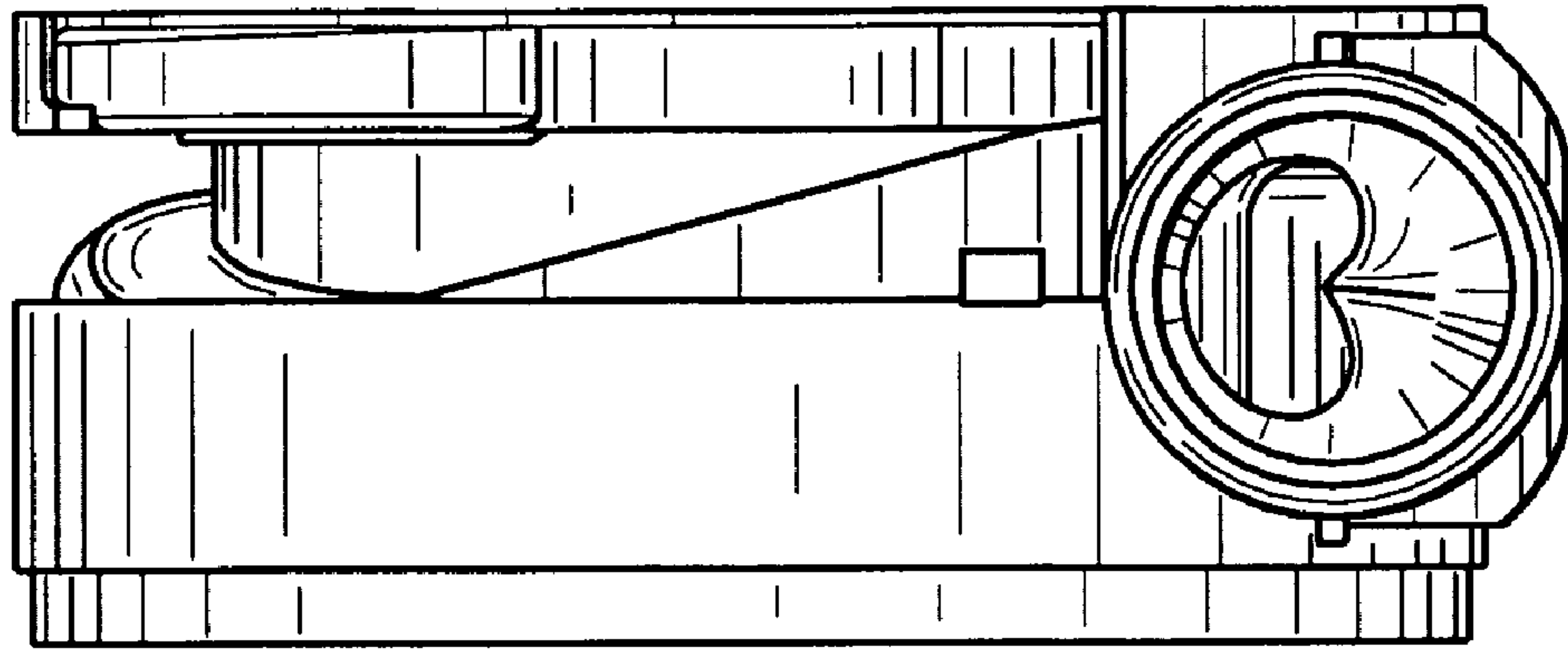
**FIG. 13**



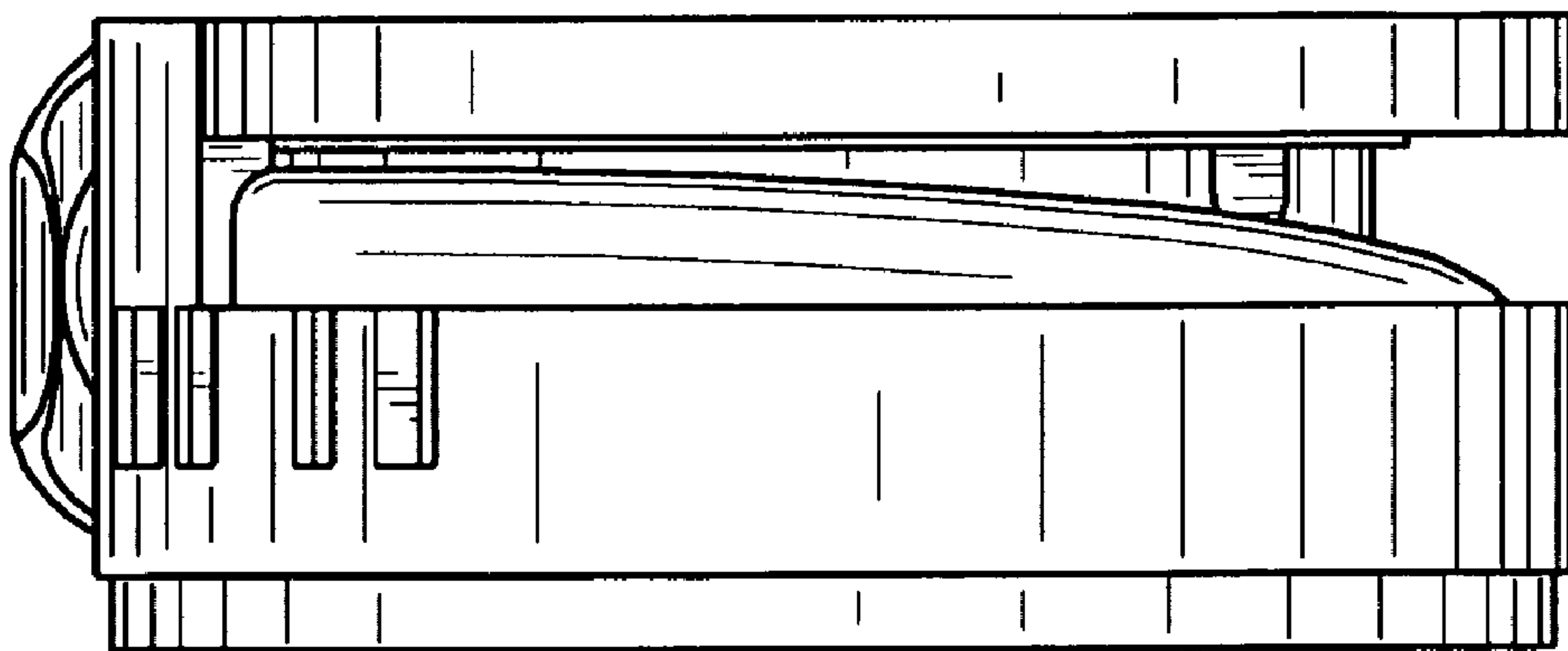
**FIG. 14**



**FIG. 15**



**FIG. 16**



**FIG. 17**

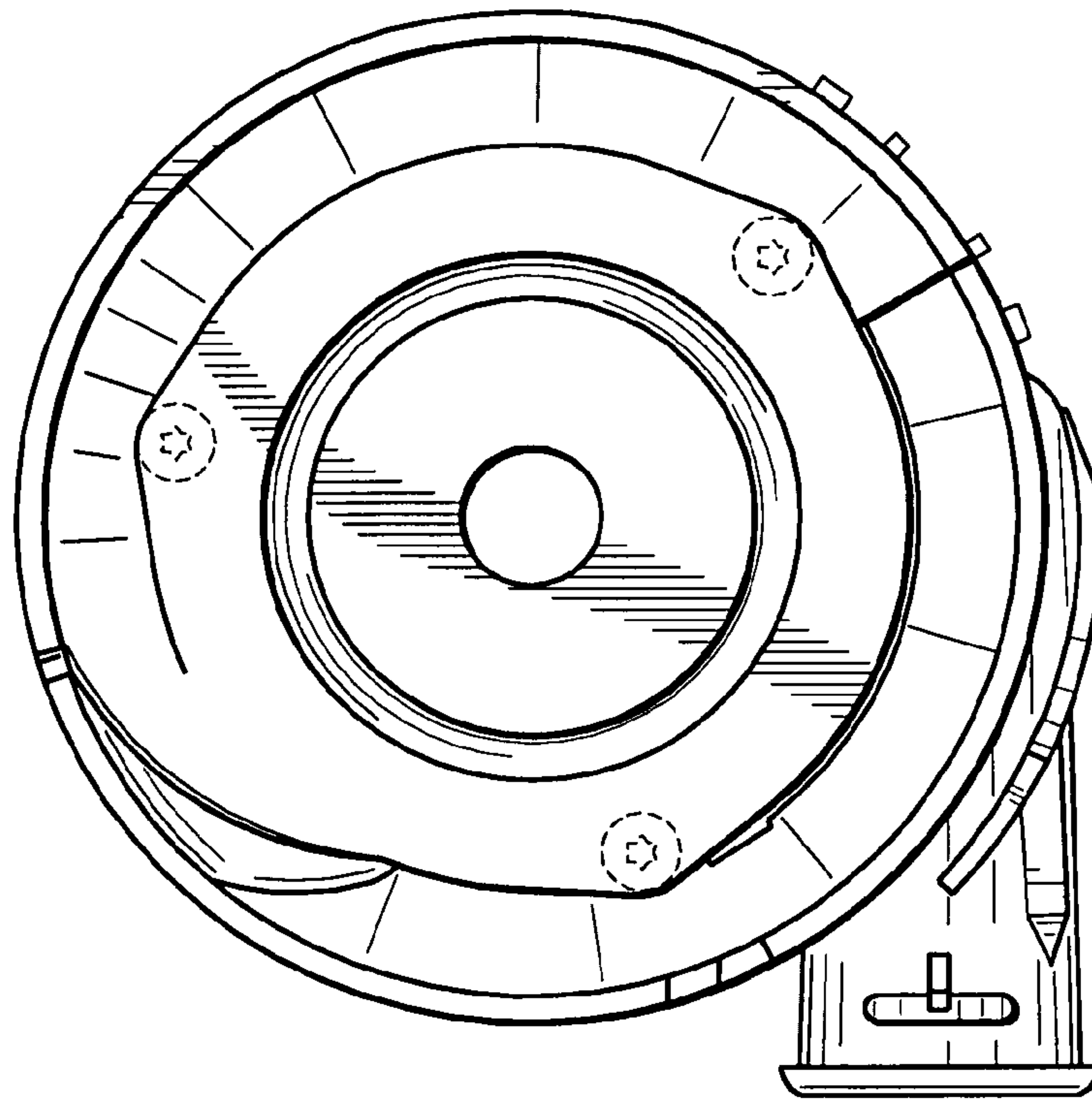


FIG. 18

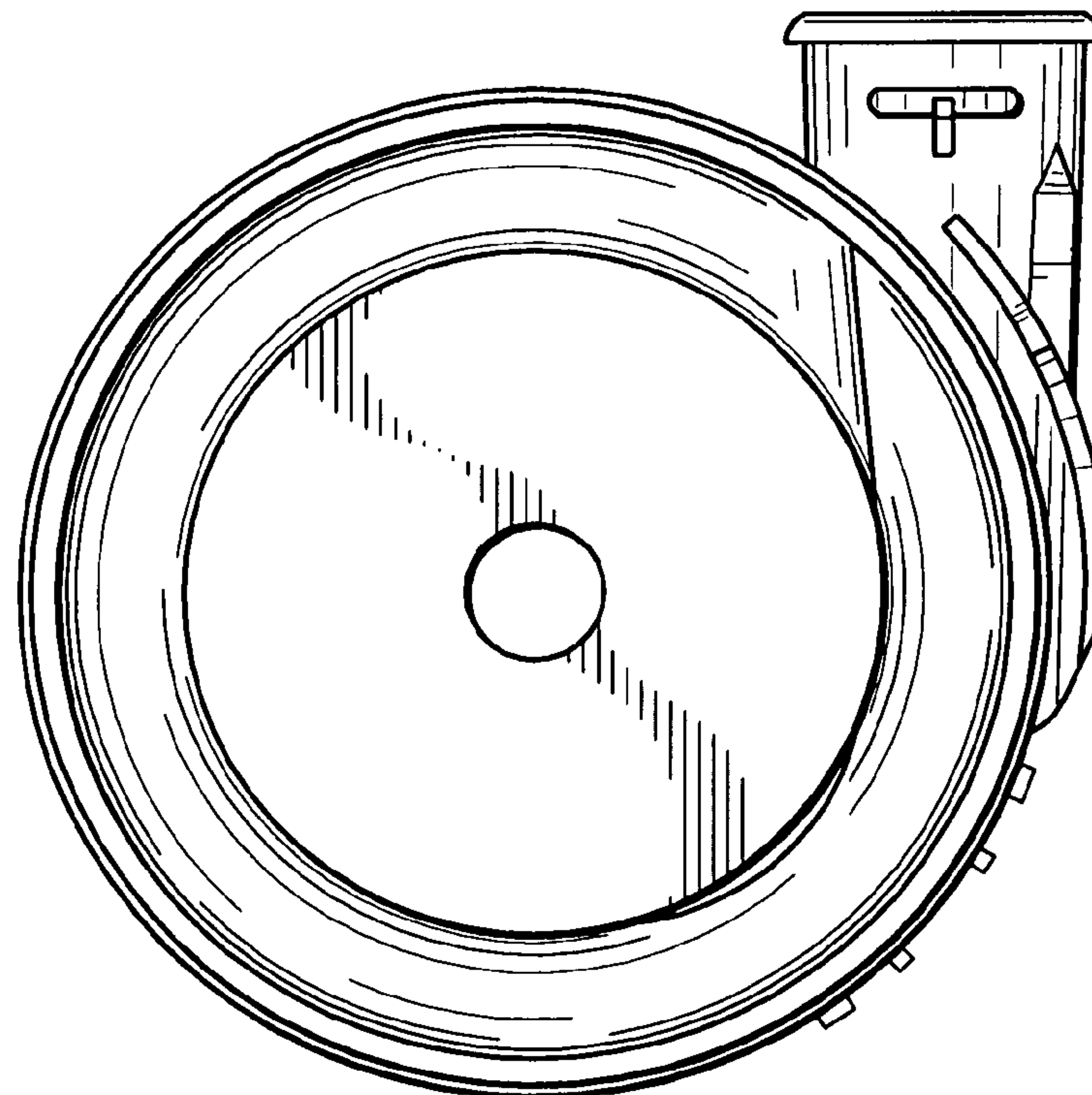
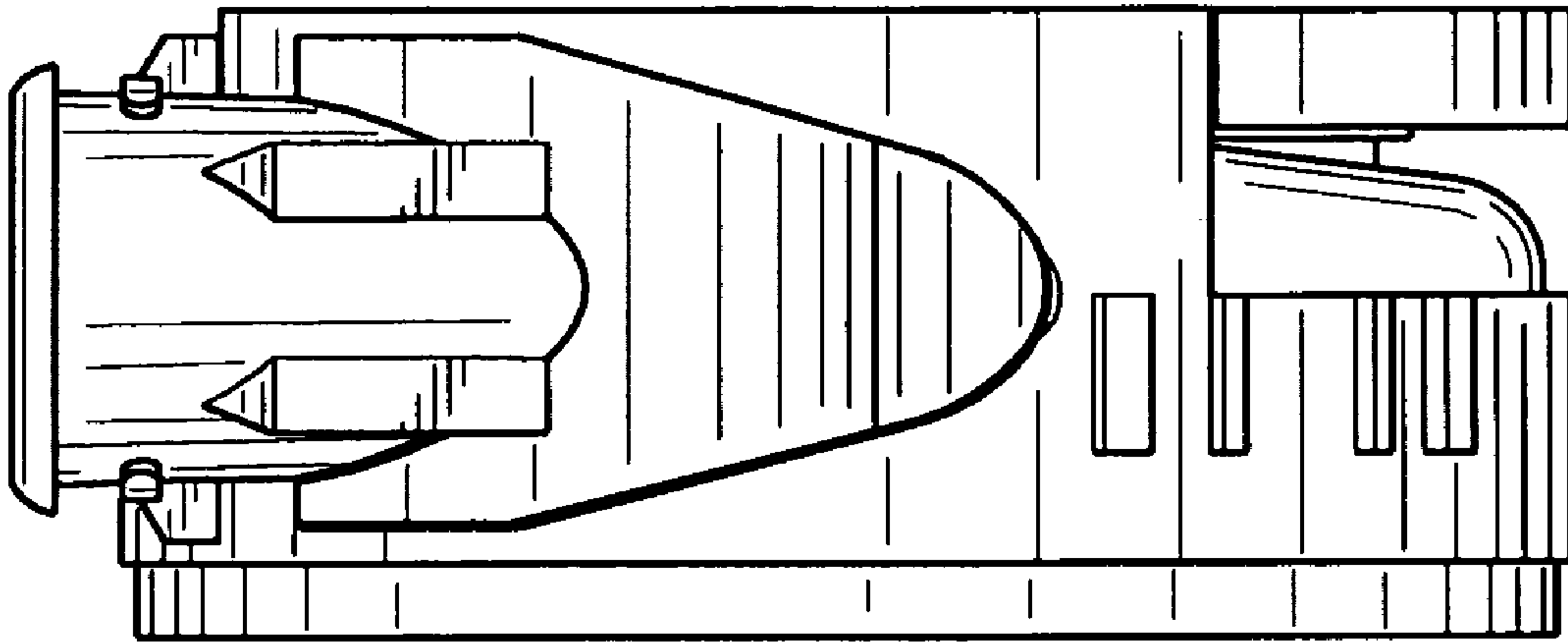
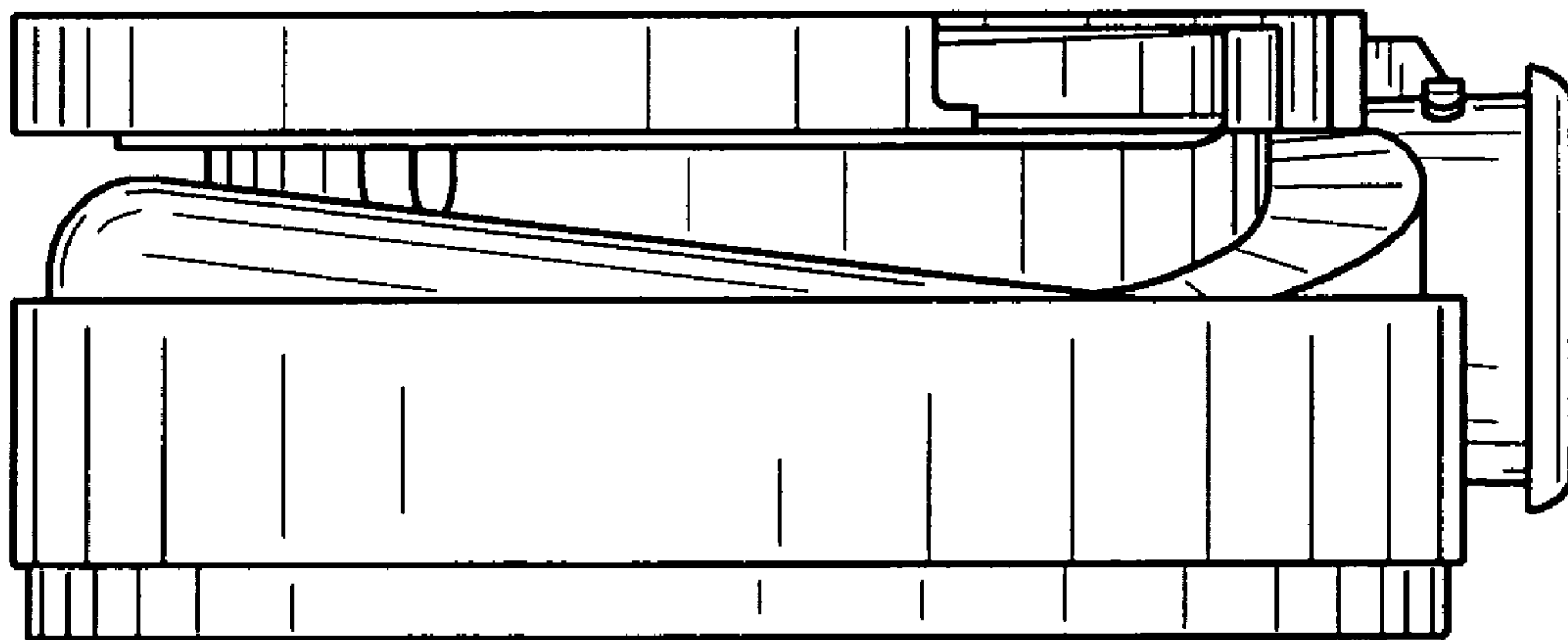


FIG. 19





**FIG. 20**



**FIG. 21**