



US00D589134S

(12) **United States Design Patent**
O'Hagin et al.

(10) **Patent No.:** **US D589,134 S**
(45) **Date of Patent:** **** Mar. 24, 2009**

(54) **ROOF VENT**

(76) Inventors: **Carolina Stollenwerk O'Hagin**, La Grande Ville, 22130, Languenan (FR); **Gregory S. Daniels**, 2413 Hidden Valley Dr., Santa Rosa, CA (US) 95404

(**) Term: **14 Years**

(21) Appl. No.: **29/317,884**

(22) Filed: **May 8, 2008**

(51) **LOC (9) Cl.** **23-04**
(52) **U.S. Cl.** **D23/373**
(58) **Field of Classification Search** D23/373,
D23/393, 386; D25/199; 454/250, 450;
52/199

See application file for complete search history.

(56) **References Cited**

U.S. PATENT DOCUMENTS

6,050,039 A 4/2000 O'Hagin
6,447,390 B1 * 9/2002 O'Hagin 454/250
6,537,147 B2 * 3/2003 Smith 454/365
D512,774 S * 12/2005 O'Hagin et al. D23/393

OTHER PUBLICATIONS

DECRA® Products Homepage, <http://www.decra.com/products.htm>, Printed Aug. 4, 2008, 2 pages.
DECRA® Mediterranean Tile, <http://www.decra.com/tile.htm>, Printed Aug. 4, 2008, 1 page.
DECRA® Ageless Beauty Brochure, DECRA Roofing Systems, Inc., 2007, 8 pages.

DECRA® All Profile Brochure, DECRA Roofing Systems, Inc., 2004, 2 pages.
DECRA® Villa Tile, <http://www.decra.com/villatile.htm>, Printed Aug. 4, 2008, 1 page.
DECRA® Shake, <http://www.decra.com/shake.htm>, Printed Aug. 4, 2008, 1 page.
Functional Components of a DECRA Panel, DECRA Roofing Systems, Inc., 2005, 1 page.
DECRA® Tile, Shingle, Shingle Plus Installation Guide, DECRA Roofing Systems, Inc., Printed Aug. 4, 2008, 19 pages.
DECRA® Villa Tile Brochure, DECRA Roofing Systems, Inc., Printed Aug. 4, 2008, 2 pages.

* cited by examiner

Primary Examiner—Lisa P Lichtenstein
(74) *Attorney, Agent, or Firm*—Knobbe, Martens, Olson & Bear LLP

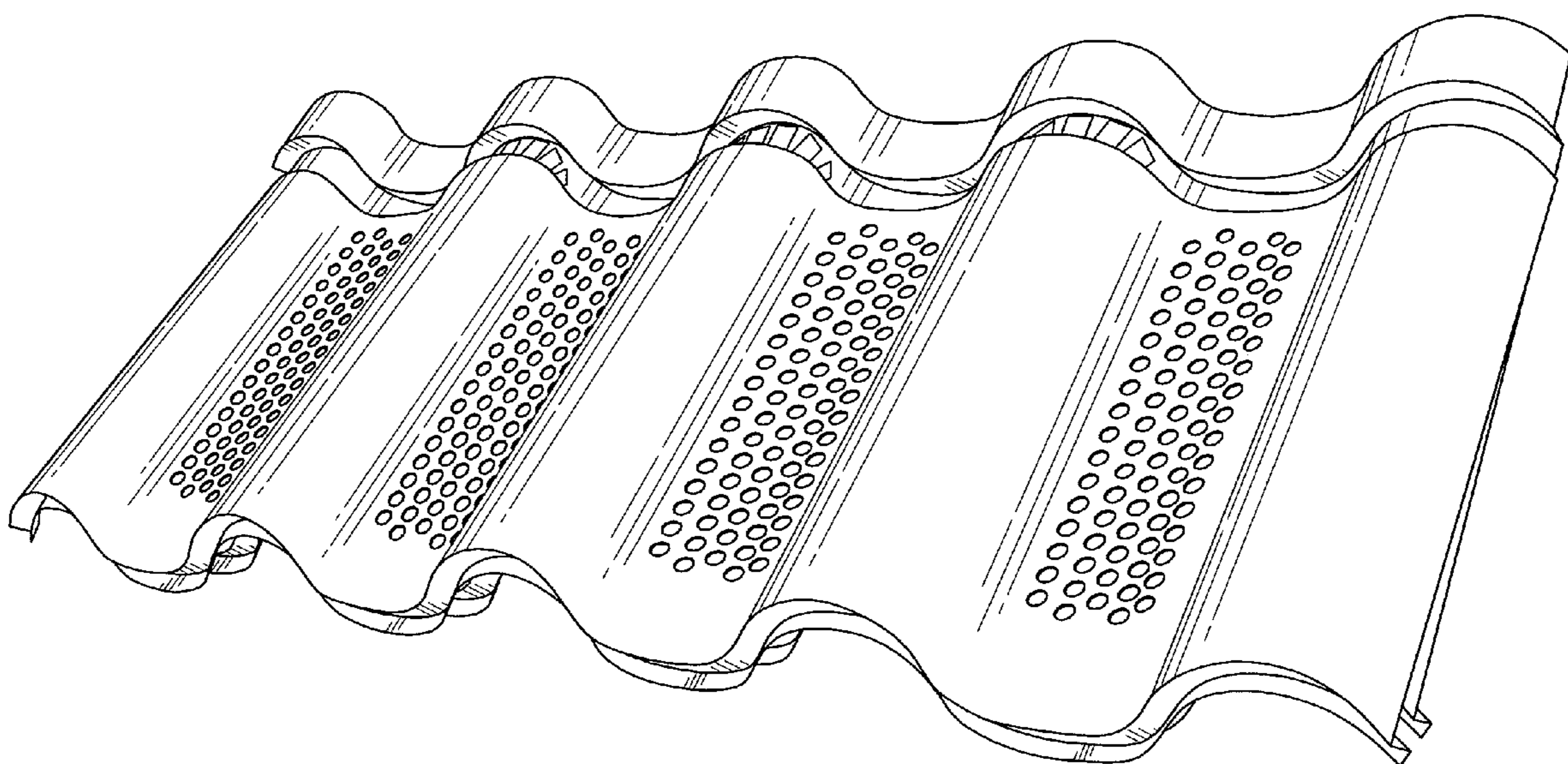
(57) **CLAIM**

The ornamental design for a roof vent, as shown and described.

DESCRIPTION

FIG. 1 is a top, front, perspective view of a roof vent showing my new design;
FIG. 2 is a top view thereof;
FIG. 3 is a bottom view thereof;
FIG. 4 is a front view thereof;
FIG. 5 is a rear view thereof;
FIG. 6 is an enlarged side view thereof; and,
FIG. 7 is another enlarged side view thereof.

1 Claim, 5 Drawing Sheets



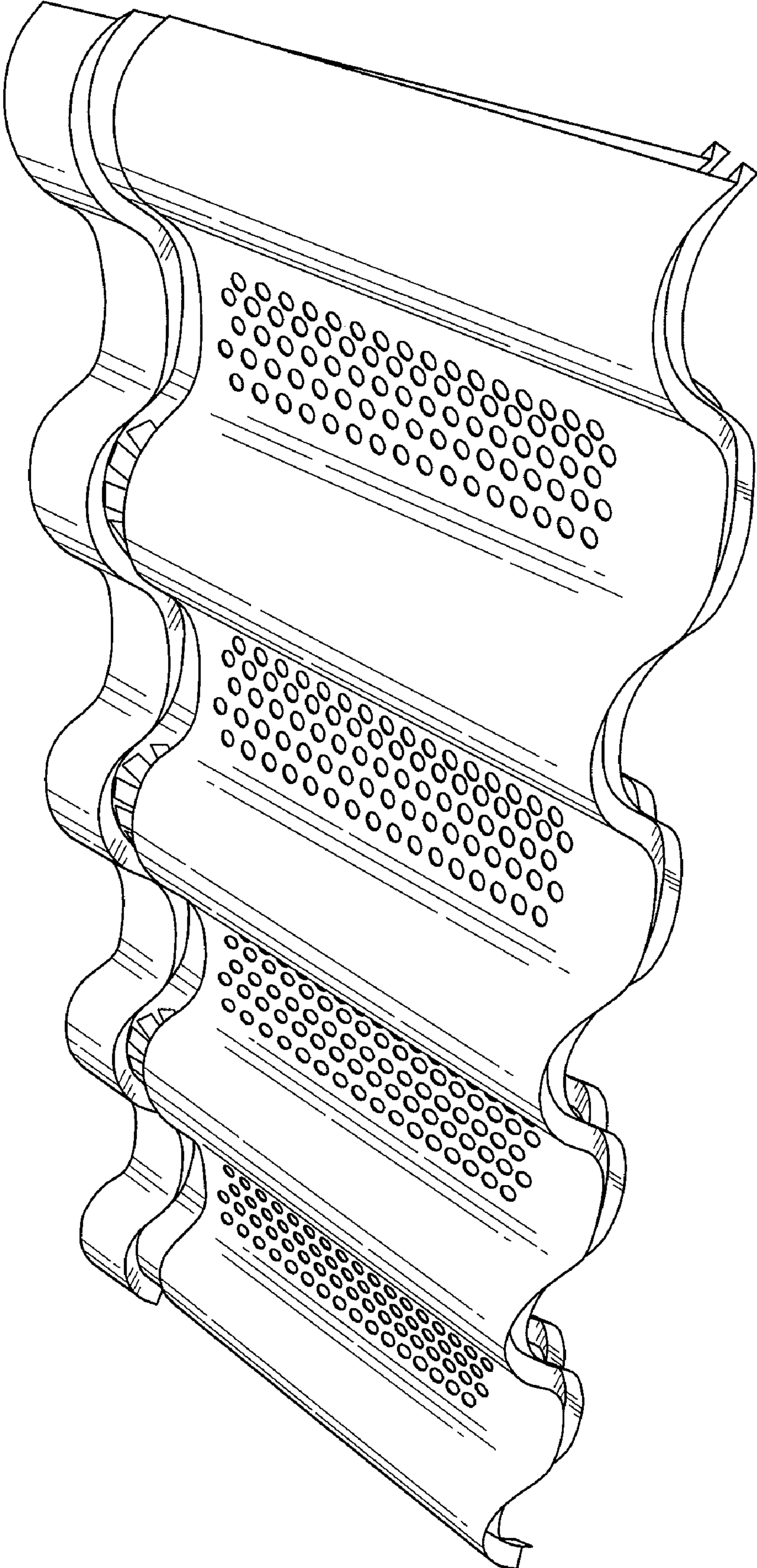


FIG. 1

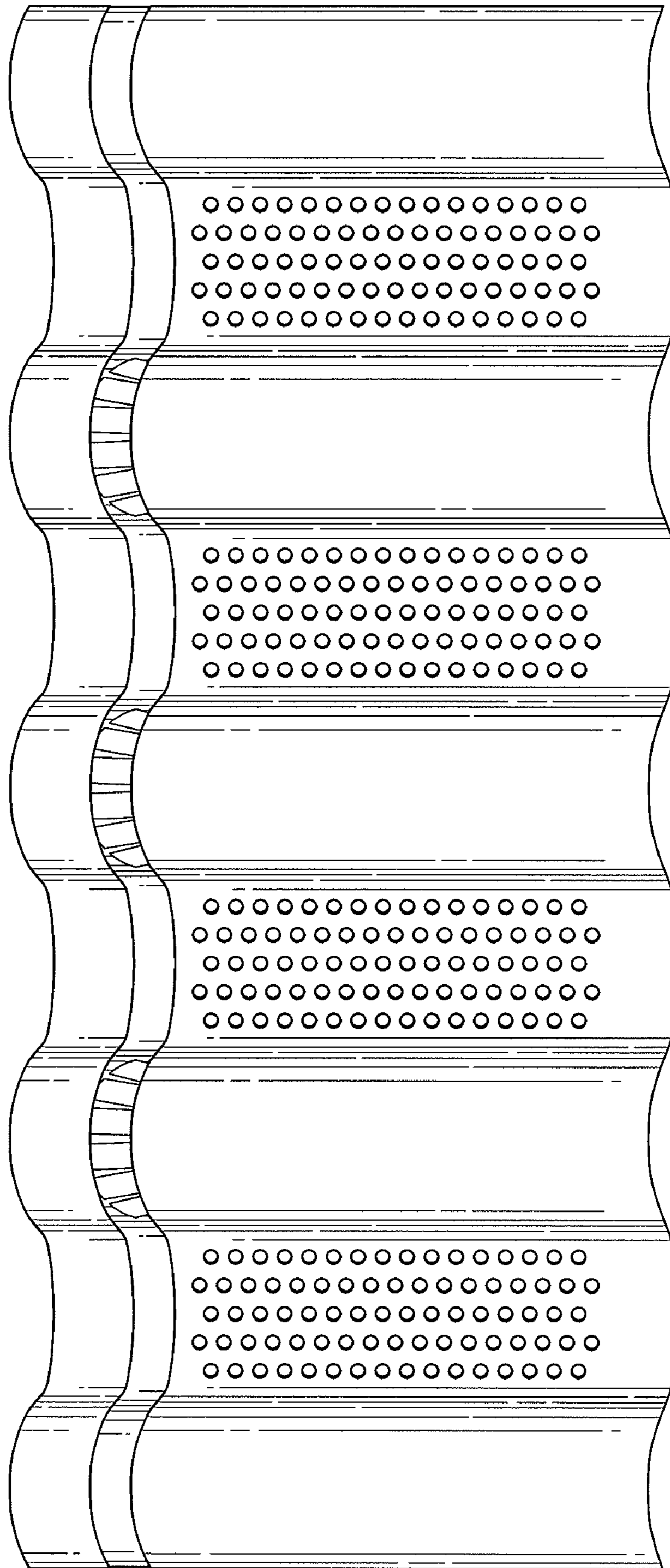


FIG. 2

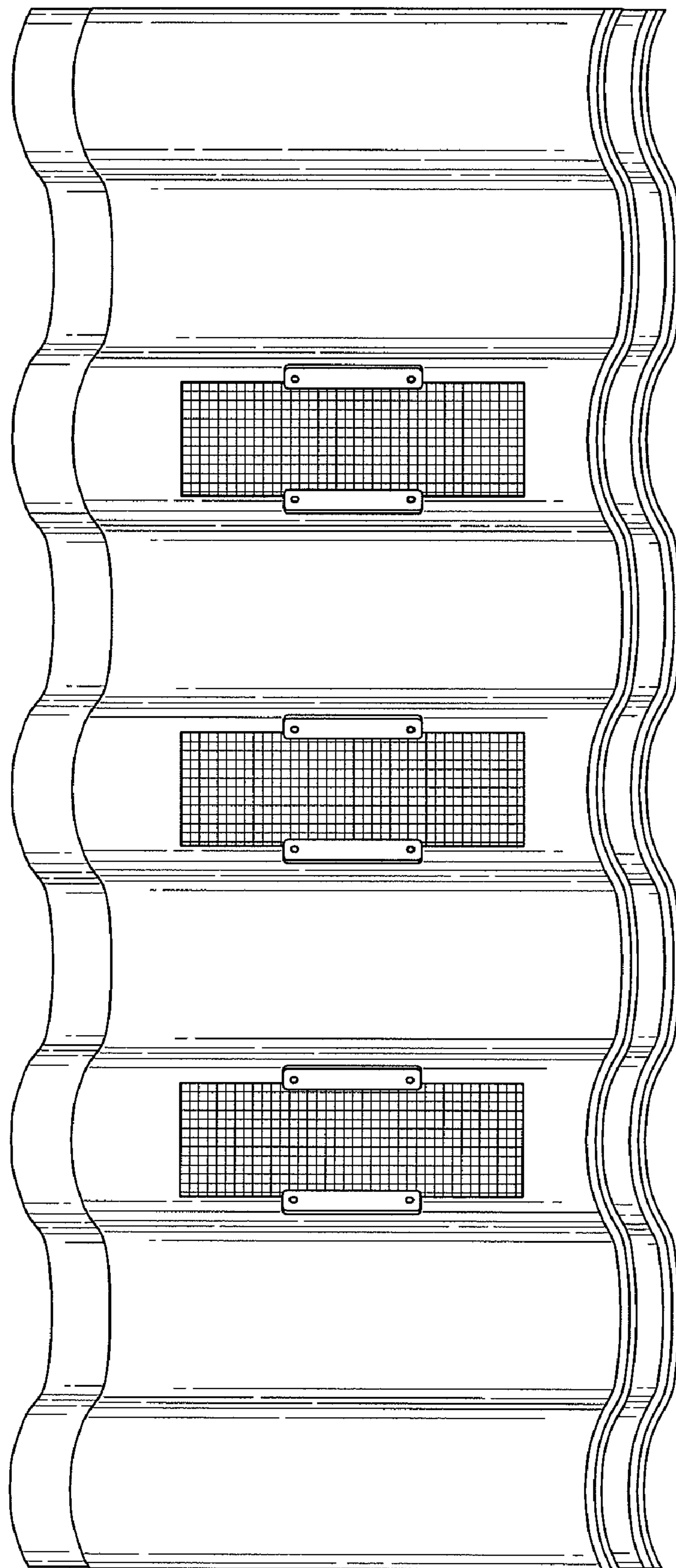


FIG. 3

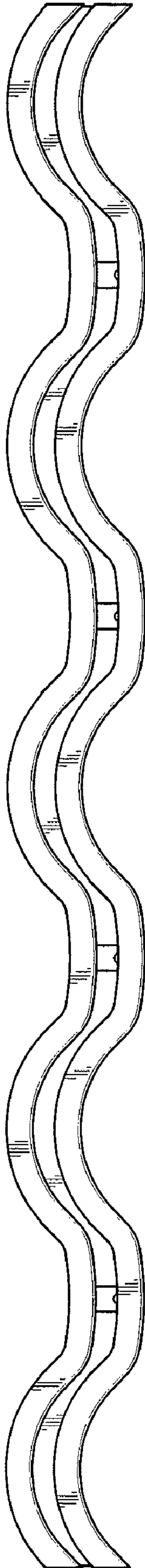


FIG. 4

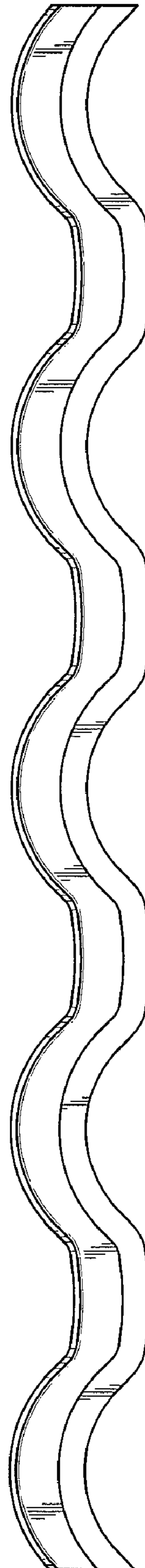


FIG. 5

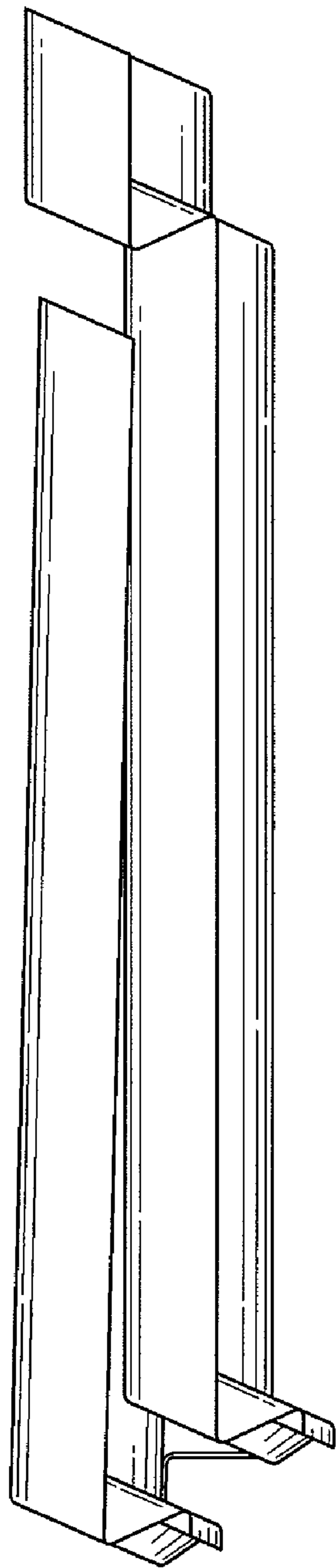


FIG. 6

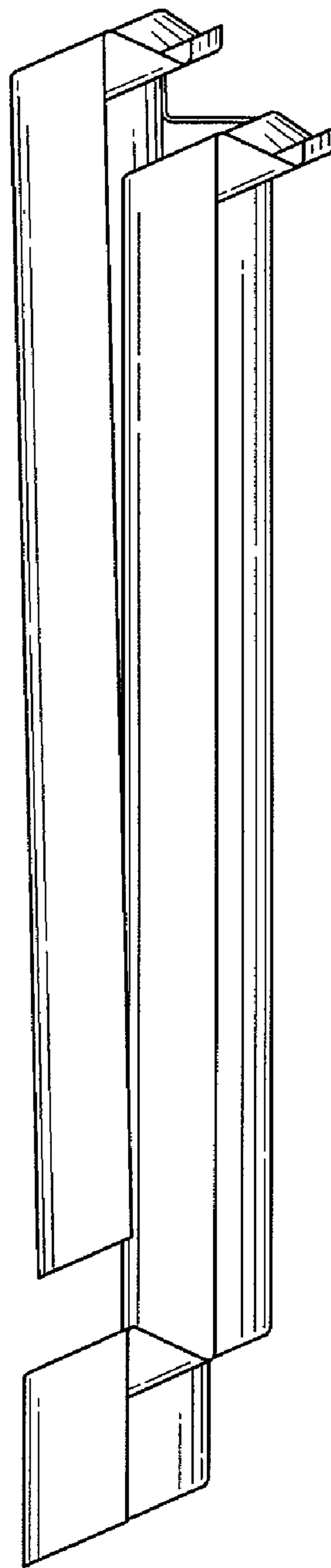


FIG. 7

UNITED STATES PATENT AND TRADEMARK OFFICE
CERTIFICATE OF CORRECTION

PATENT NO. : Des. 589,134 S
APPLICATION NO. : 29/317884
DATED : March 24, 2009
INVENTOR(S) : Gregory S. Daniels

Page 1 of 1

It is certified that error appears in the above-identified patent and that said Letters Patent is hereby corrected as shown below:

On the title page, in item (12), under “United States Design Patent” please replace “O’Hagin et al.” with -- Daniels --

On the title page, in item (76), replace “Inventors” with -- Inventor --. Also, in item (76), under the listed inventors, please delete “Carolina Stollenwerk O’Hagin, La Grande Ville, 22130, Languenan (FR);” so the section reads as follows:

(76) Inventor: **Gregory S. Daniels**, 2413 Hidden Valley Dr., Santa Rosa, CA (US) 95404

Signed and Sealed this

Sixth Day of July, 2010



David J. Kappos
Director of the United States Patent and Trademark Office