



US00D589133S

(12) **United States Design Patent**
Hedlund

(10) **Patent No.:** **US D589,133 S**
(45) **Date of Patent:** **** Mar. 24, 2009**

(54) **VENTILATION AND AIR CONDITIONING
EQUIPMENT UNIT**

D464,419 S * 10/2002 Nilsson D23/371

(75) Inventor: **Per Hedlund**, Helsingborg (SE)

* cited by examiner

(73) Assignee: **AB P H Nederman & Co.**, Helsingborg
(SE)

Primary Examiner—Lisa P Lichtenstein
(74) *Attorney, Agent, or Firm*—Buchanan Ingersoll &
Rooney PC

(**) Term: **14 Years**

(57) **CLAIM**

(21) Appl. No.: **29/254,599**

The ornamental design for ventilation and air conditioning
equipment unit, as shown.

(22) Filed: **Feb. 27, 2006**

(30) **Foreign Application Priority Data**

DESCRIPTION

Sep. 9, 2005 (EM) 000400080

FIG. 1 is a front perspective view of a ventilation and air
conditioning equipment unit showing my new design.

(51) **LOC (9) Cl.** **23-04**

FIG. 2 is a bottom perspective view thereof.

(52) **U.S. Cl.** **D23/371**

FIG. 3 is a reduced side elevational view thereof.

(58) **Field of Classification Search** D23/371;
454/59, 64, 65

FIG. 4 is a reduced front elevational view thereof.

See application file for complete search history.

FIG. 5 is a reduced bottom view thereof.

(56) **References Cited**

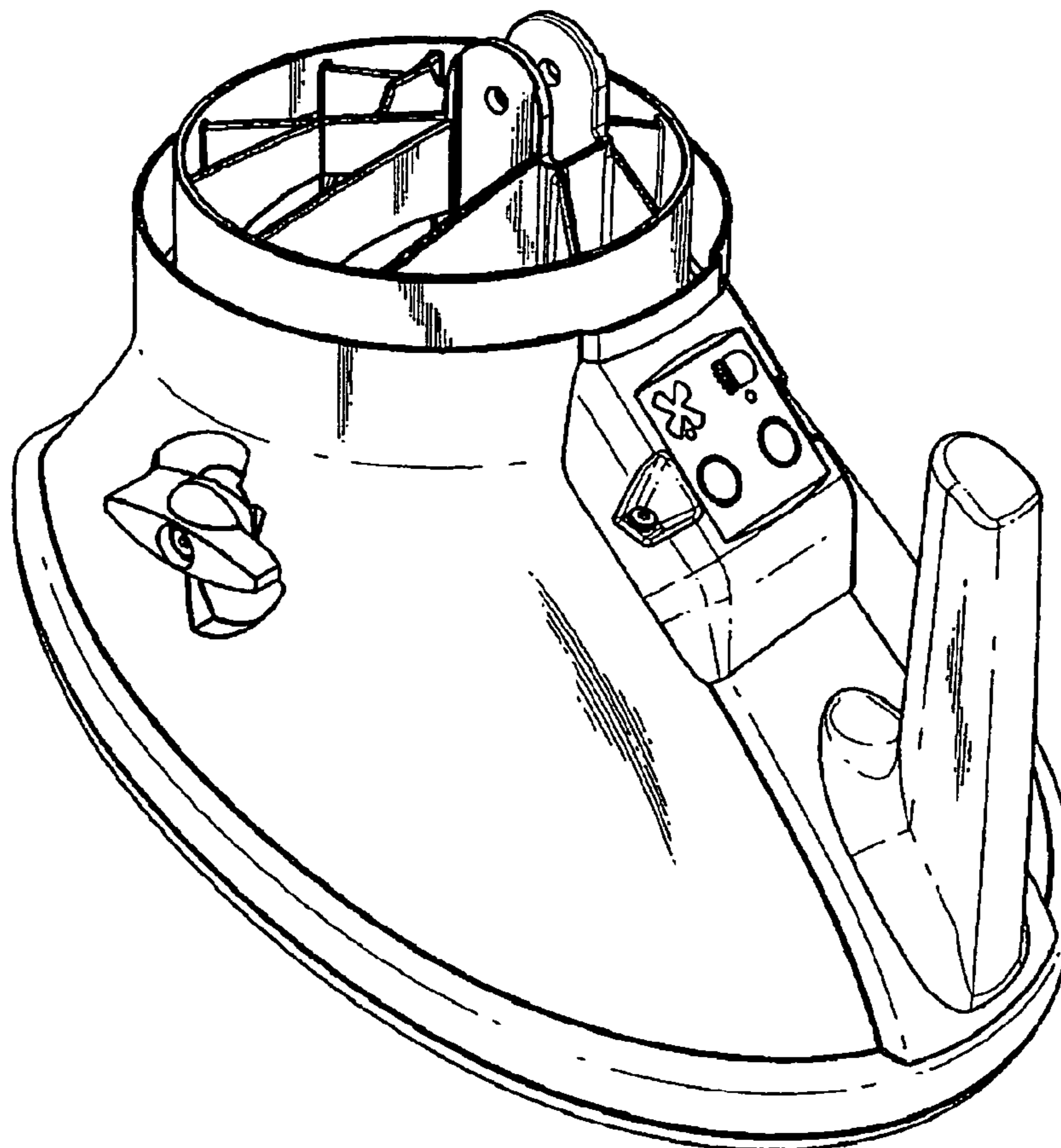
FIG. 6 is a reduced rear elevational view thereof; and,

U.S. PATENT DOCUMENTS

FIG. 7 is a reduced top view thereof.

D424,678 S * 5/2000 Holmgren D23/371

1 Claim, 4 Drawing Sheets



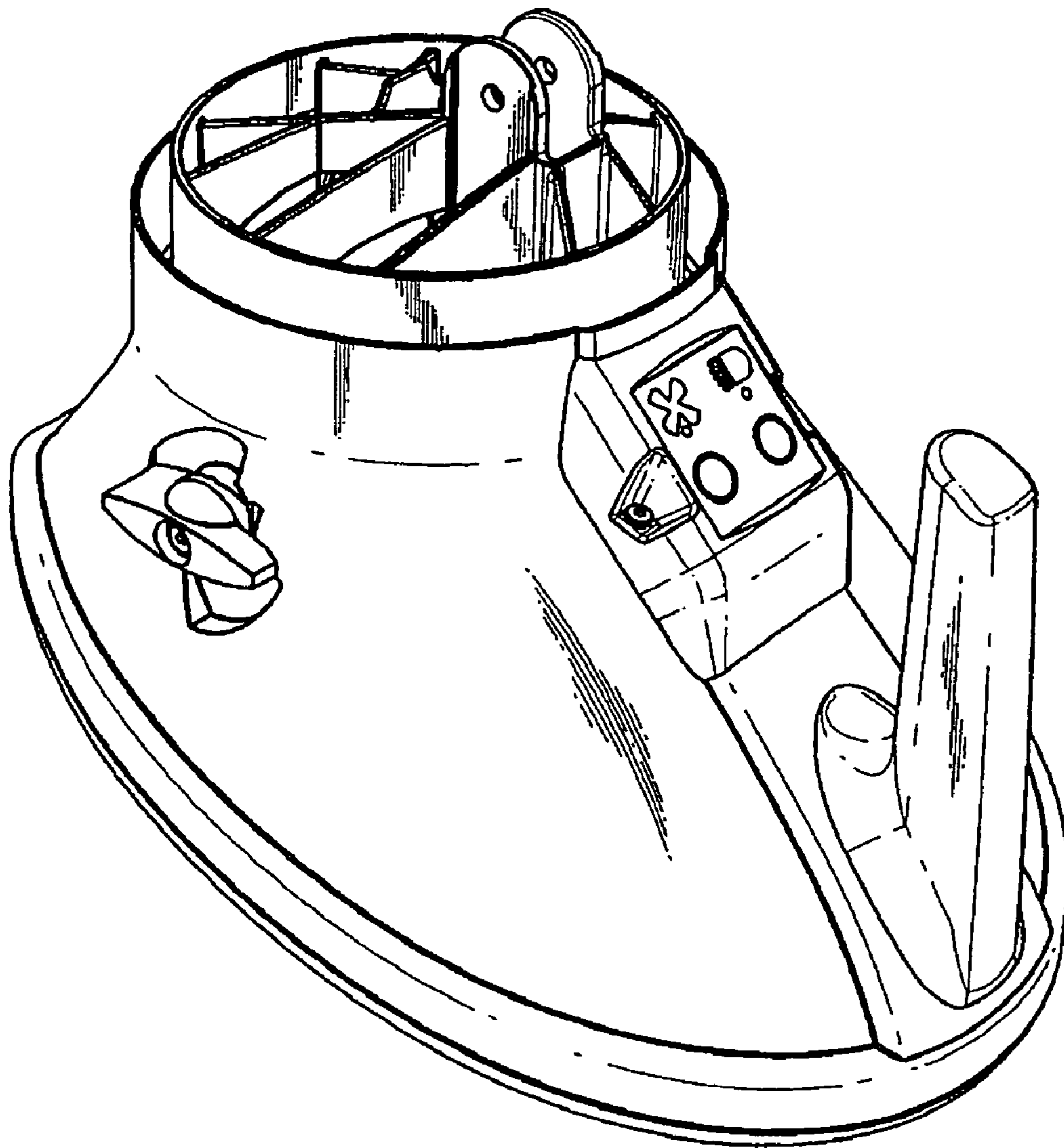


Fig. 1

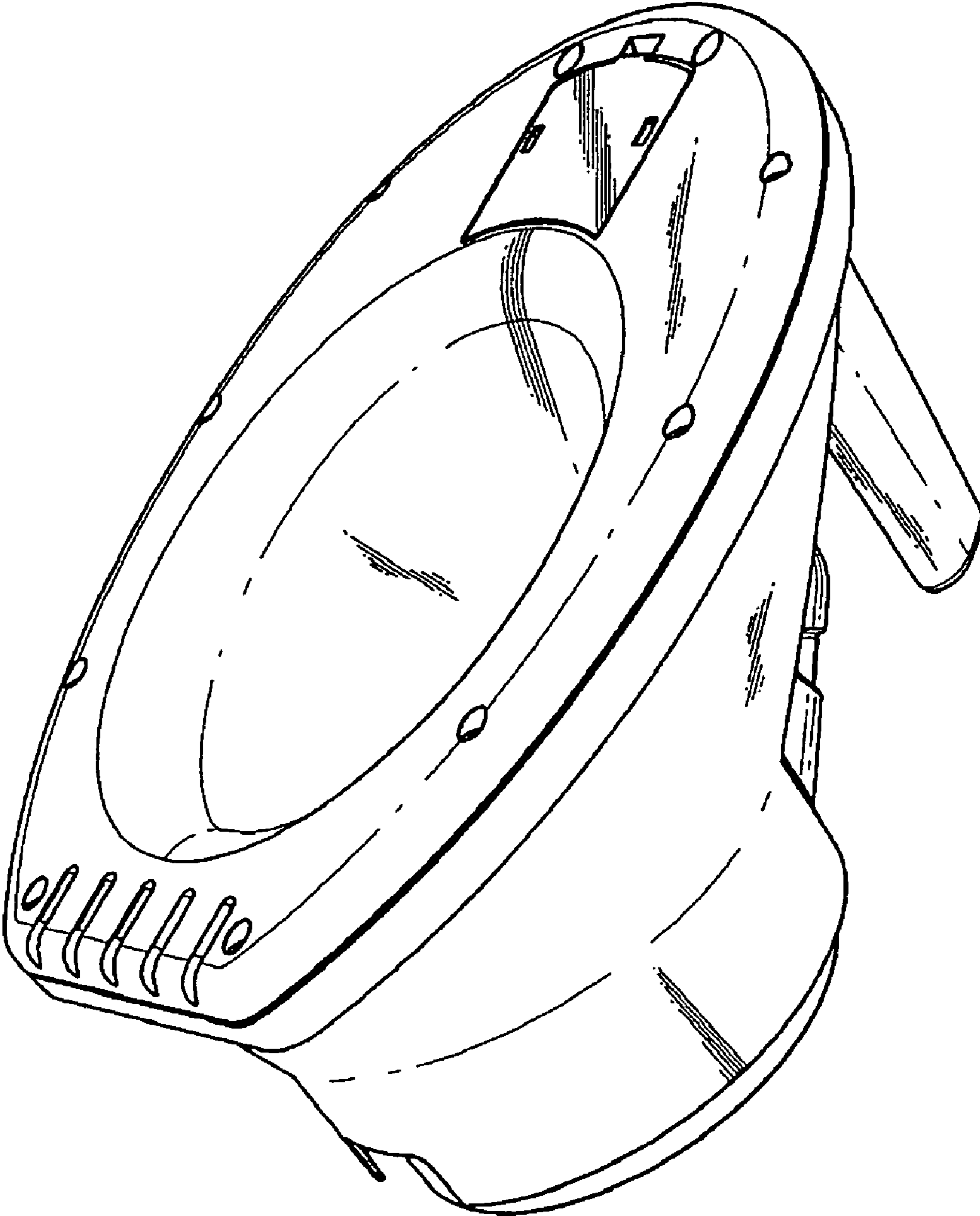


Fig. 2

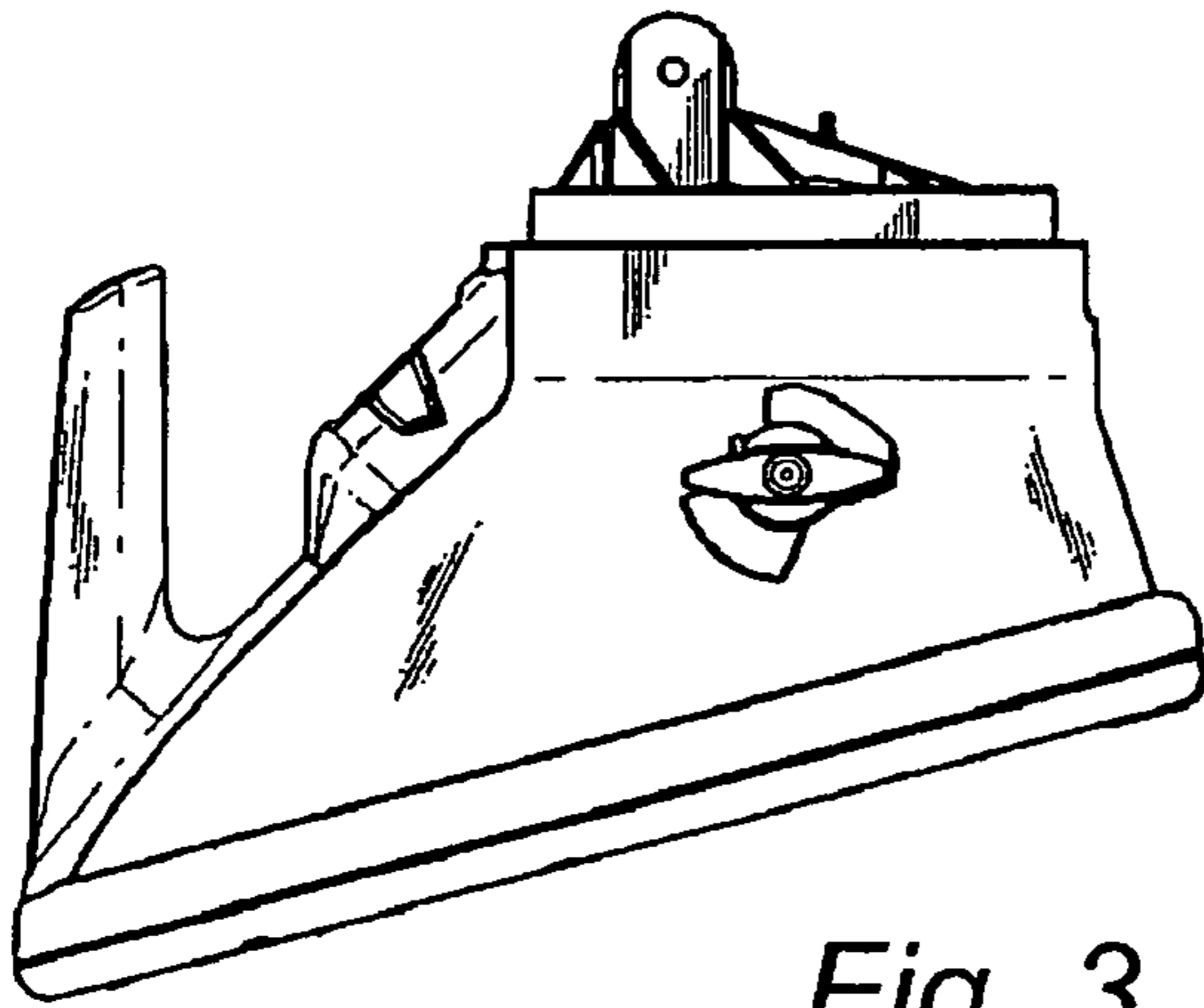


Fig. 3

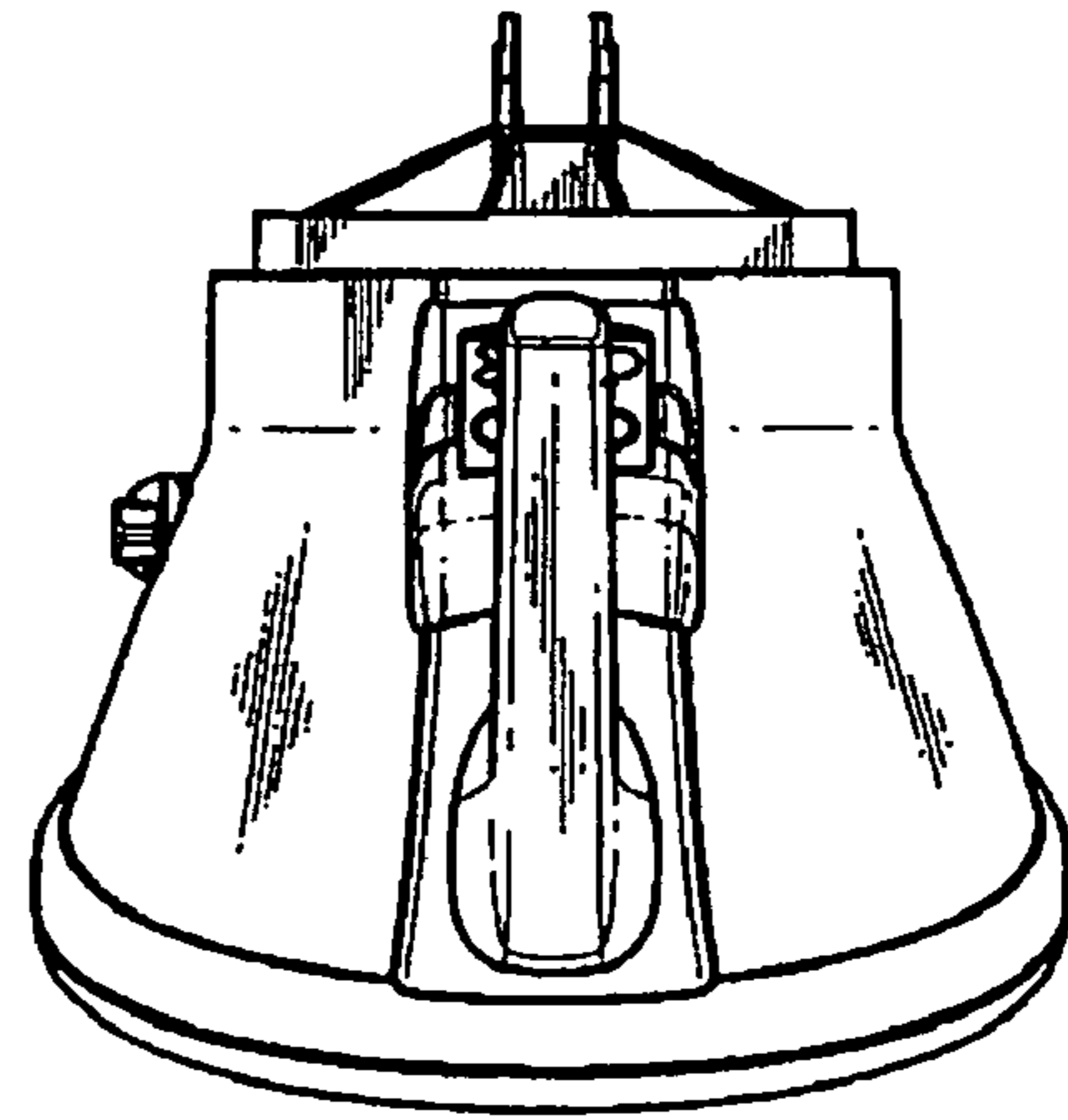


Fig. 4

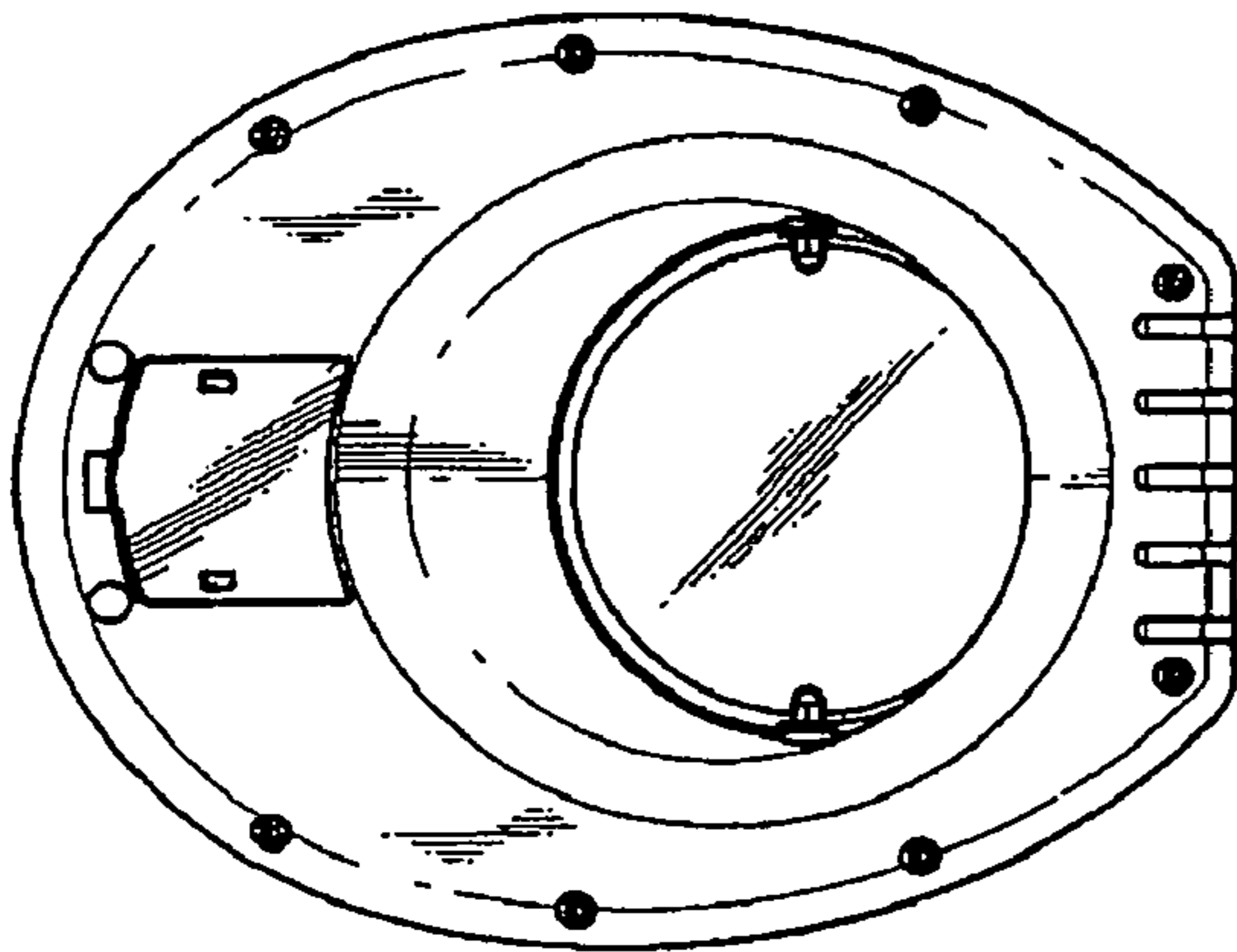


Fig. 5

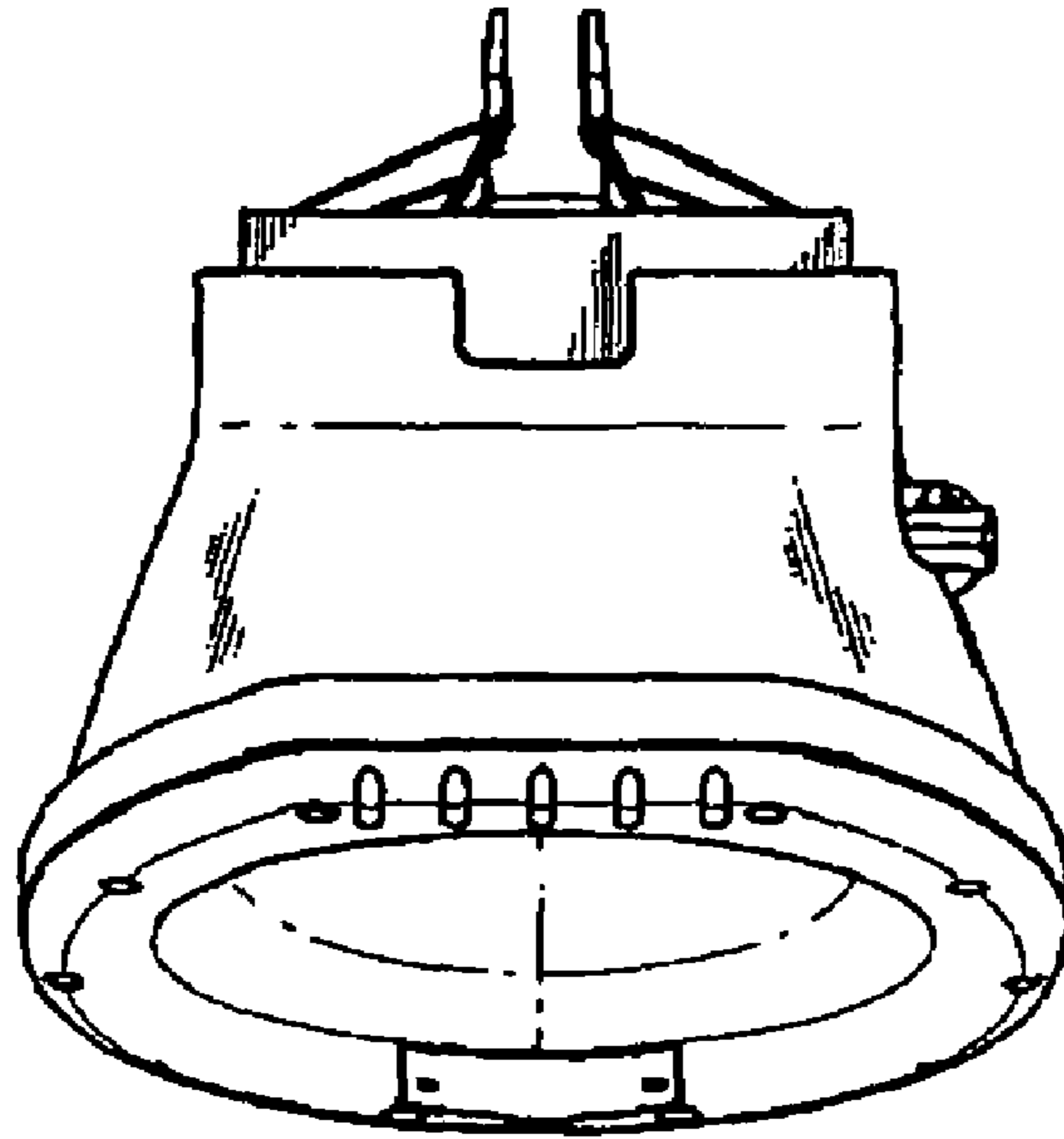


Fig. 6

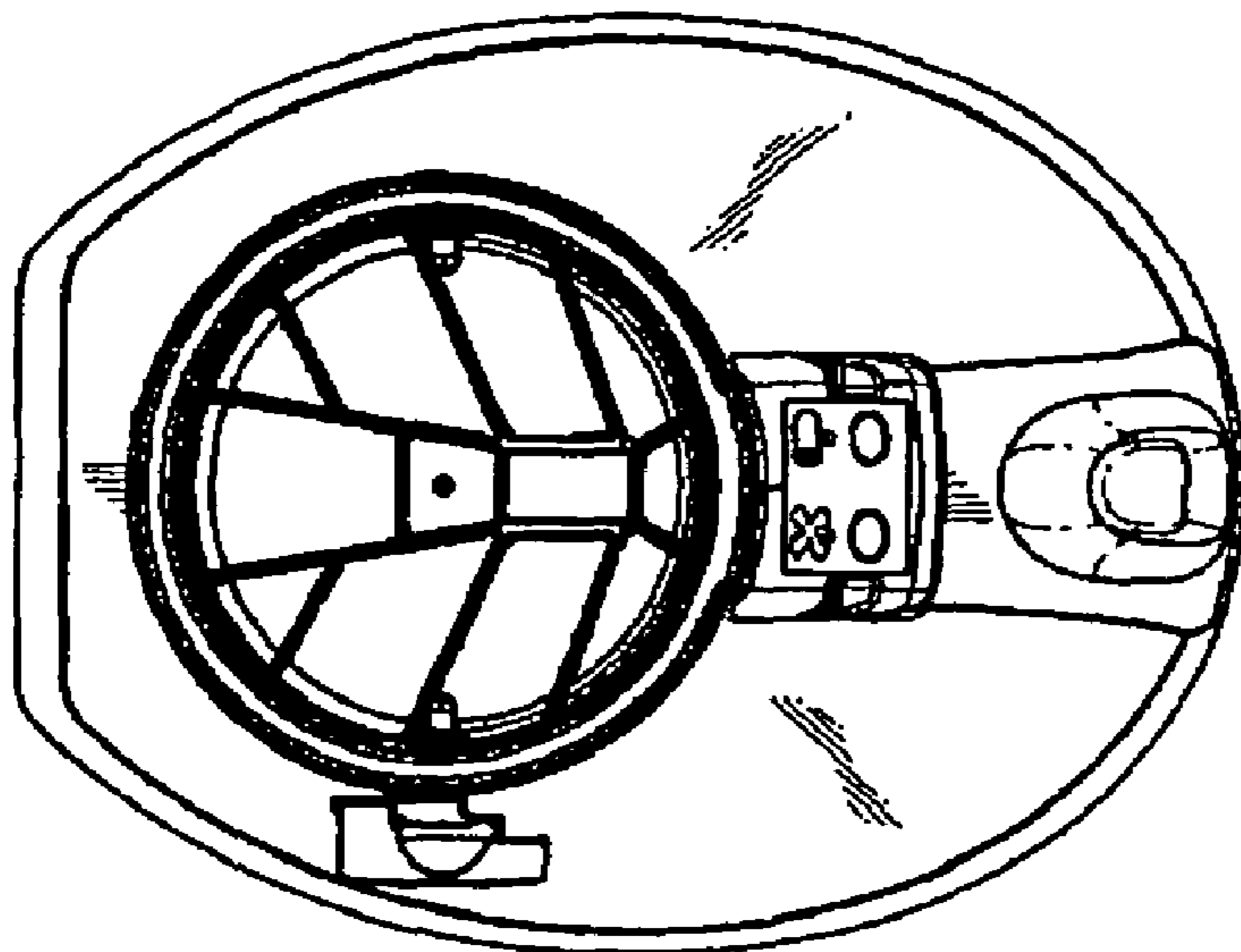


Fig. 7