



US00D589130S

(12) **United States Design Patent**  
**Katoh**

(10) **Patent No.:** **US D589,130 S**

(45) **Date of Patent:** **\*\* Mar. 24, 2009**

(54) **LIQUID DRAINER**

(75) Inventor: **Nobuhide Katoh**, Nagoya (JP)

(73) Assignee: **Yoshitake Inc.**, Nagoya-shi, Aichi-ken (JP)

(\*\*) Term: **14 Years**

(21) Appl. No.: **29/287,986**

(22) Filed: **Oct. 9, 2007**

(51) **LOC (9) Cl.** ..... **23-02**

(52) **U.S. Cl.** ..... **D23/303**

(58) **Field of Classification Search** ..... D23/213,  
D23/249, 257, 259, 260, 261, 262, 263, 264,  
D23/265, 266, 267, 268, 250, 251, 252, 253,  
D23/254, 255, 256, 238, 239, 240, 241, 242,  
D23/243, 244, 245, 246, 247, 248; 4/675,  
4/676, 677, 678; D8/300, 307, 308, 310,  
D8/311, 312, 321; D6/550; 137/801; 16/110.01,  
16/441; 285/1, 53, 112, 179, 340, 367, 373,  
285/404, 915

See application file for complete search history.

(56) **References Cited**

**U.S. PATENT DOCUMENTS**

- 847,537 A \* 3/1907 Abbott ..... 210/441
- 2,058,735 A \* 10/1936 Stallard ..... 285/342
- 5,172,940 A \* 12/1992 Usui et al. .... 285/31
- 5,738,140 A \* 4/1998 Mann ..... 137/369
- D497,414 S \* 10/2004 Matsumoto ..... D23/262
- 2008/0042439 A1 \* 2/2008 Athalye et al. .... 285/405

**FOREIGN PATENT DOCUMENTS**

JP 1032168 12/1998

\* cited by examiner

*Primary Examiner*—Cathron C Brooks

*Assistant Examiner*—Michael A Pratt

(74) *Attorney, Agent, or Firm*—Dennison, Schultz & MacDonald

(57) **CLAIM**

The ornamental design for a liquid drainer, as shown and described.

**DESCRIPTION**

FIG. 1 is a front elevation view of a liquid drainer showing our new design;

FIG. 2 is a rear elevation view thereof;

FIG. 3 is a left side elevation view thereof;

FIG. 4 is a right side elevation view thereof;

FIG. 5 is a top plan view thereof; and

FIG. 6 is a bottom plan view thereof.

FIG. 7 is a front elevation view of a second embodiment of the liquid drainer shown in FIG. 1;

FIG. 8 is a rear elevation view thereof;

FIG. 9 is a left side elevation view thereof;

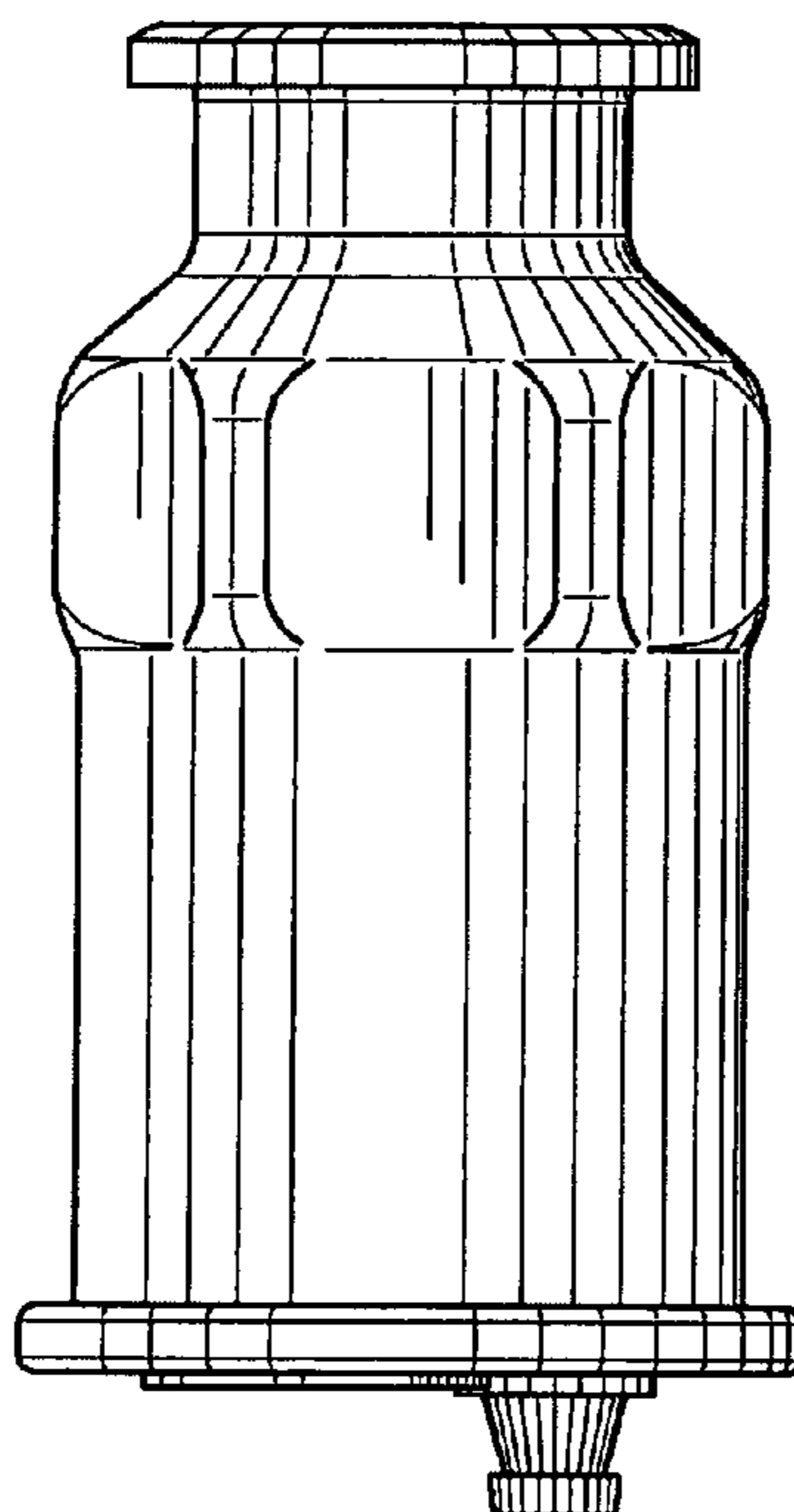
FIG. 10 is a right side elevation view thereof;

FIG. 11 is a top plan view thereof; and,

FIG. 12 is a bottom plan view thereof.

The broken line showing of the unshaded central portion in FIGS. 5 and 11 and the small central element in FIGS. 6 and 12 is included for the purpose of illustrating environment and forms no part of the claimed design.

**1 Claim, 6 Drawing Sheets**



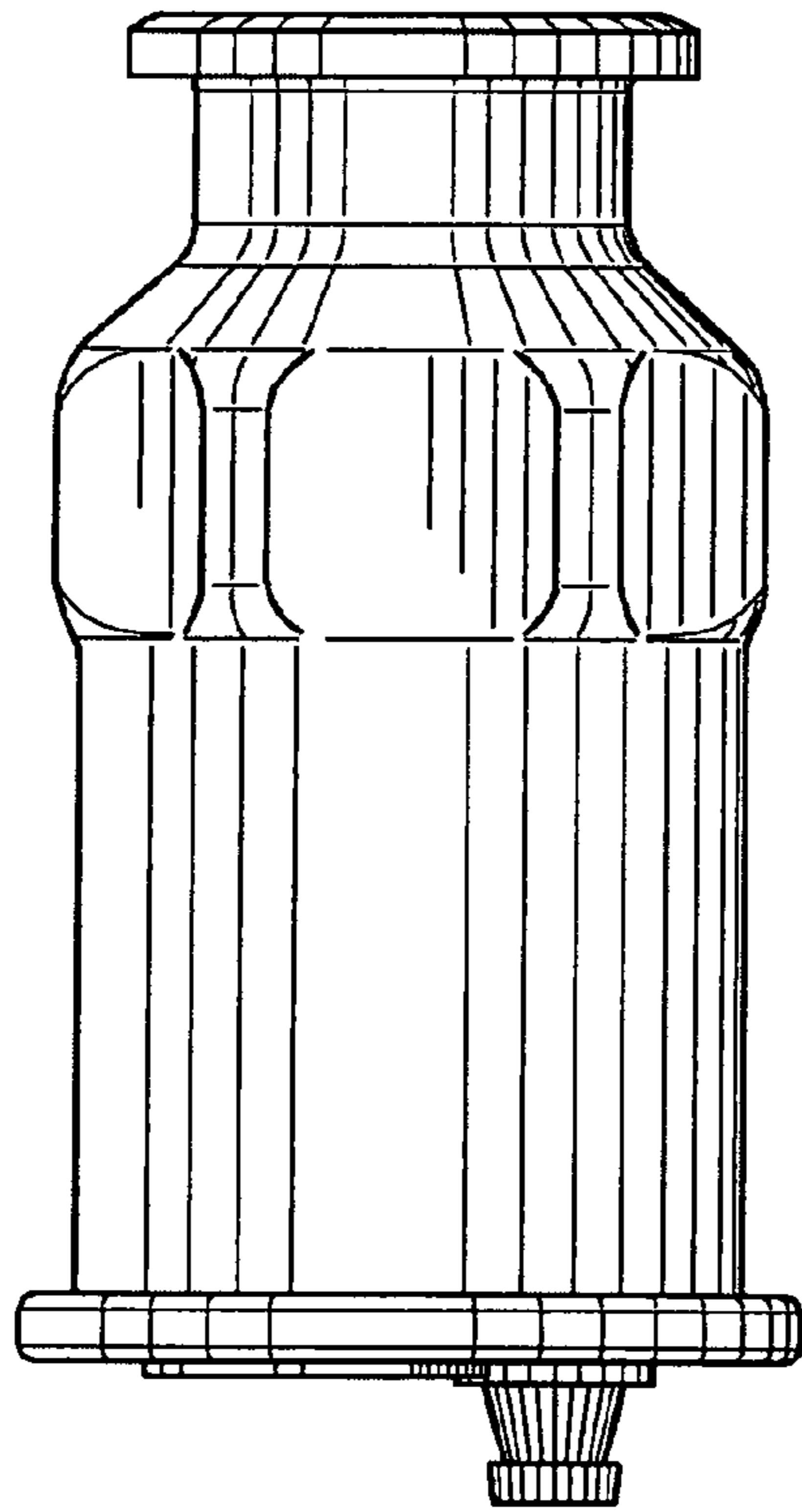


FIG. 1

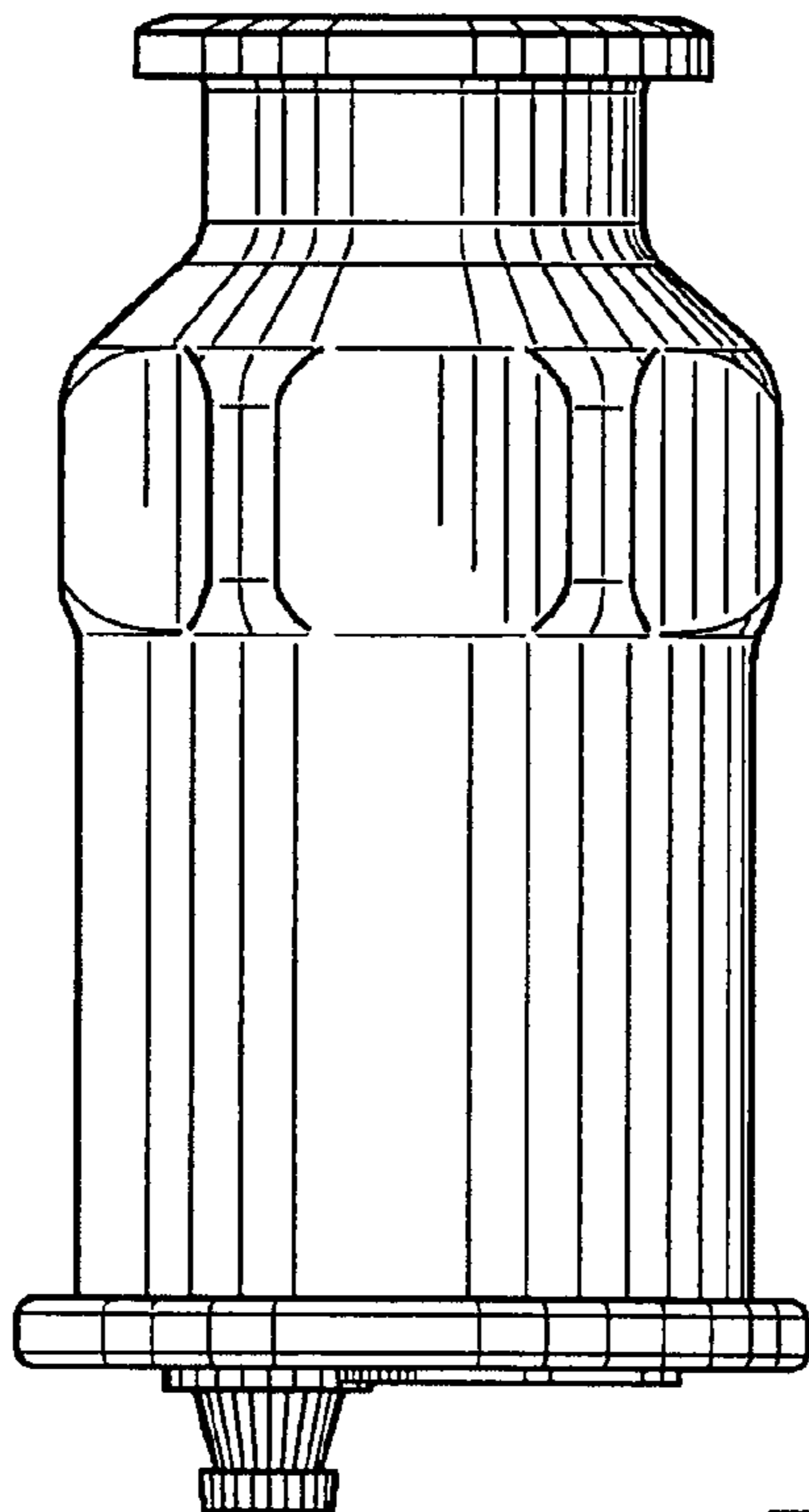


FIG. 2

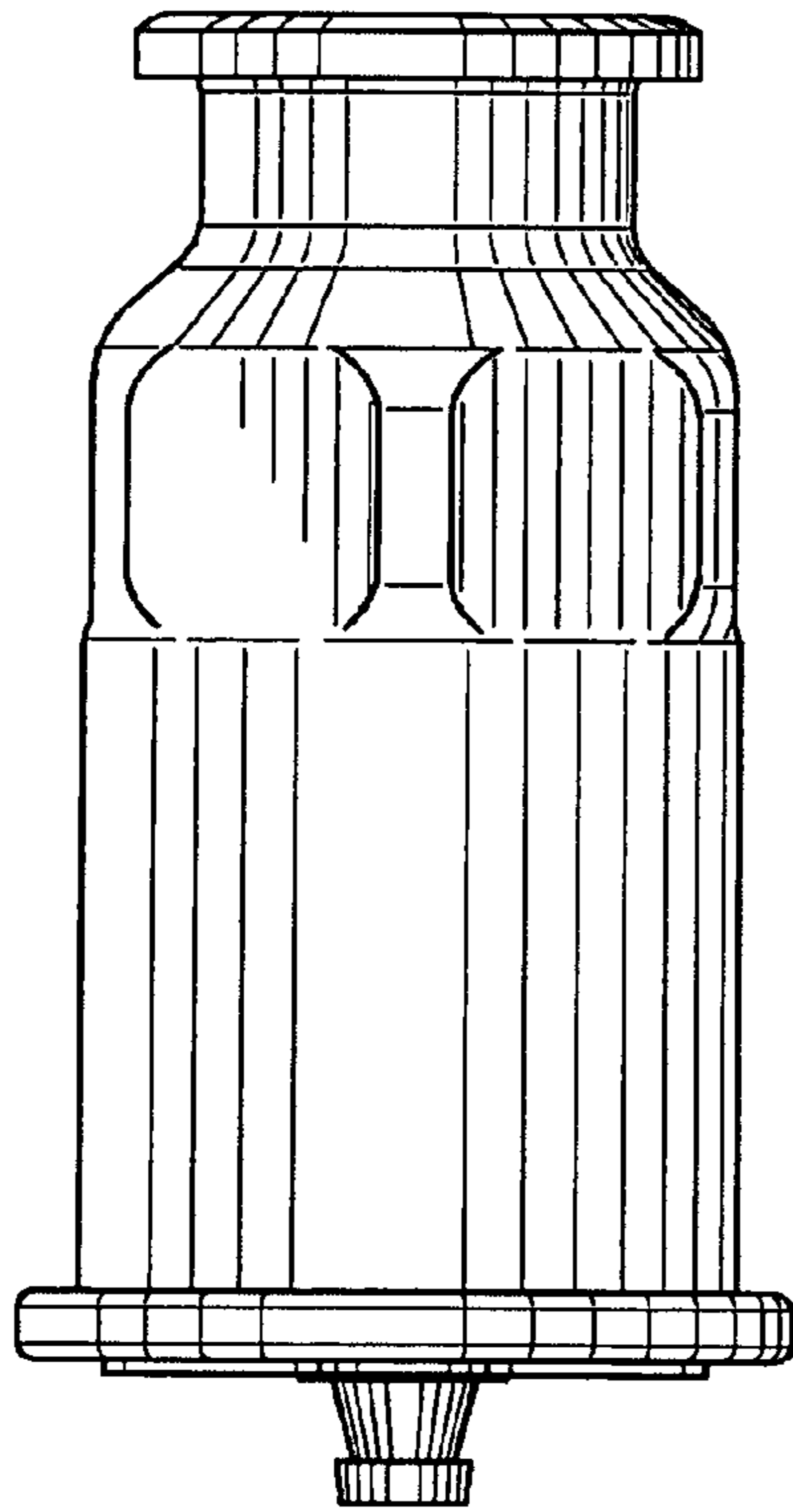


FIG. 3

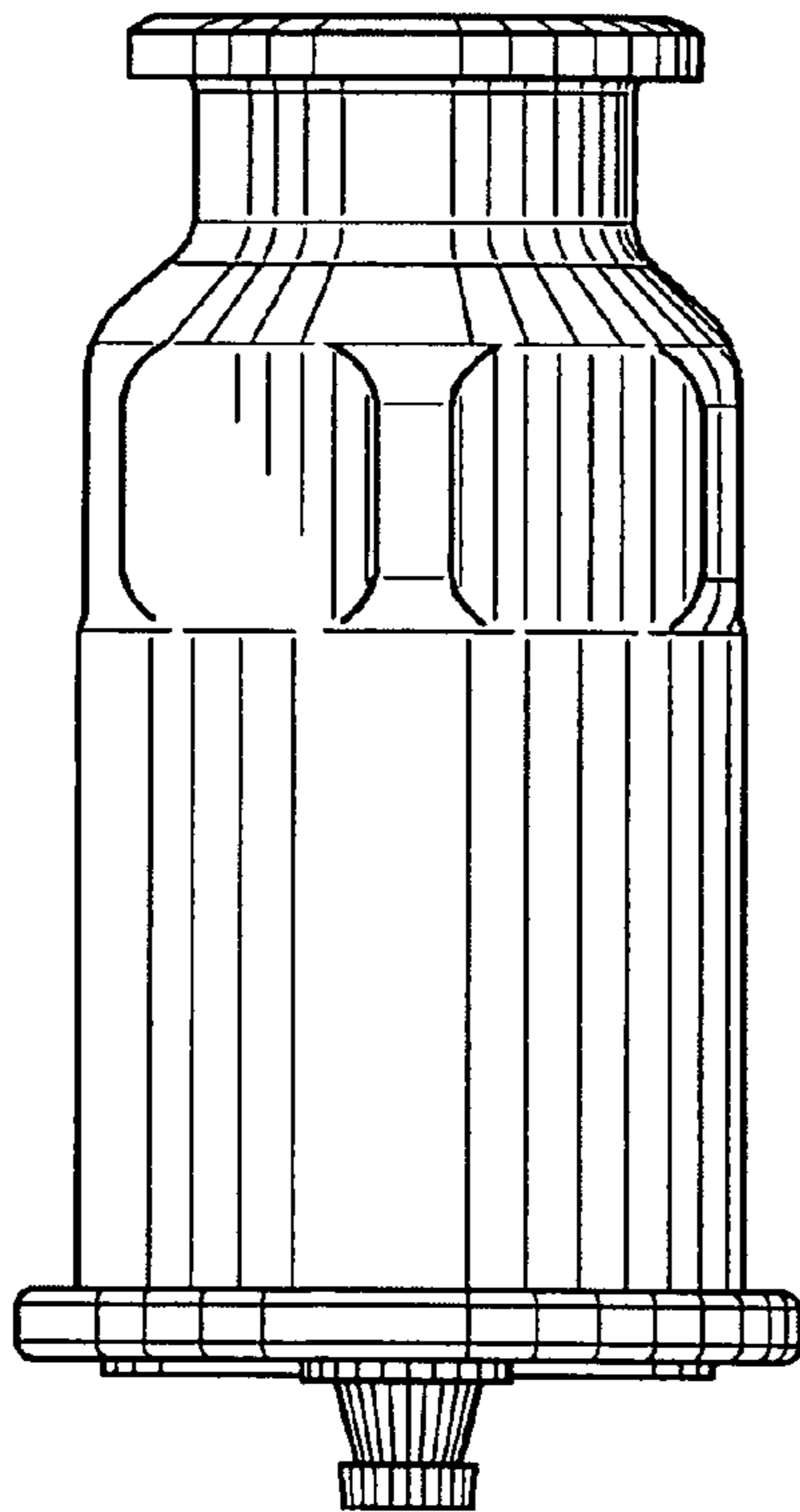


FIG. 4

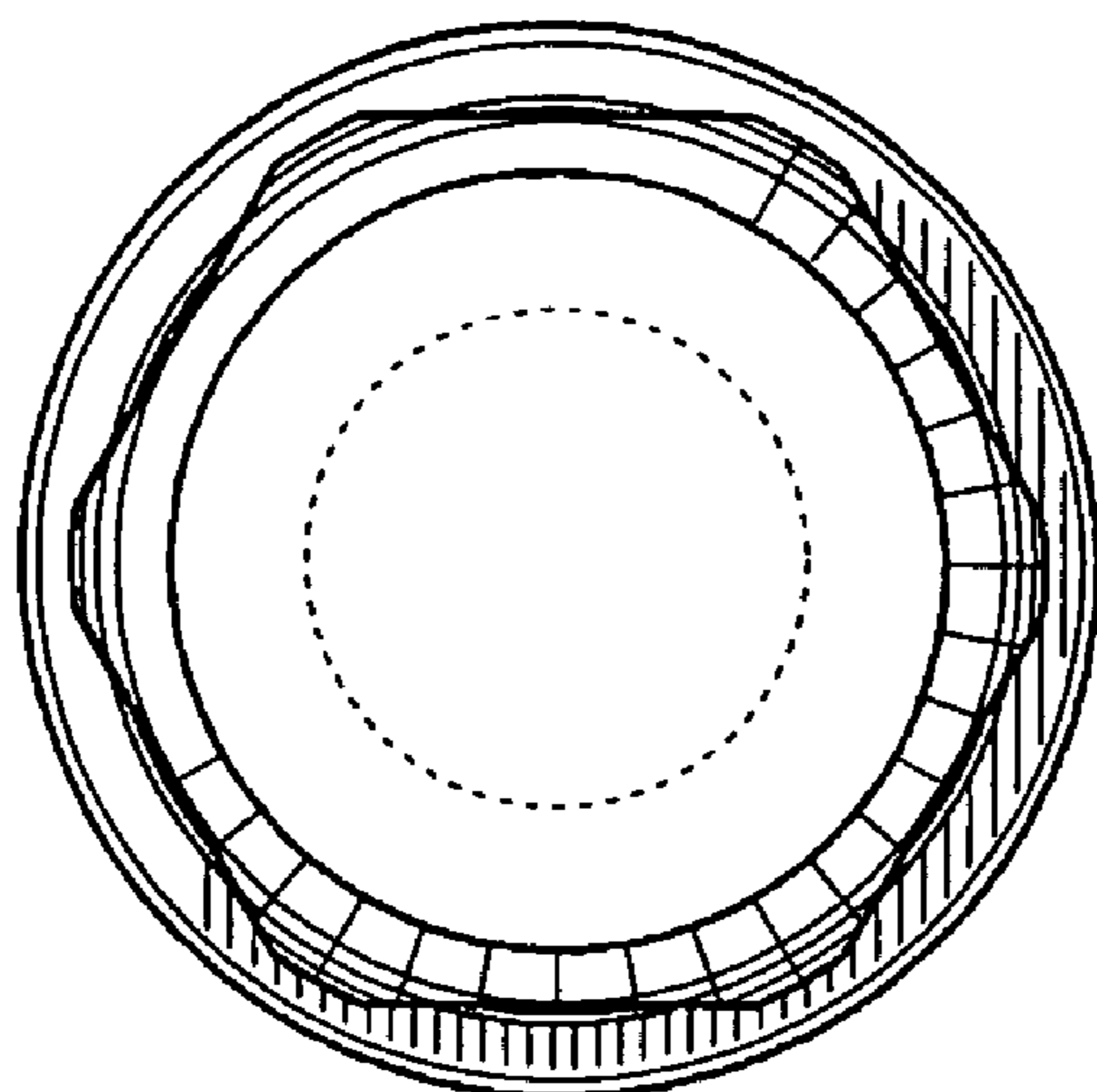


FIG. 5

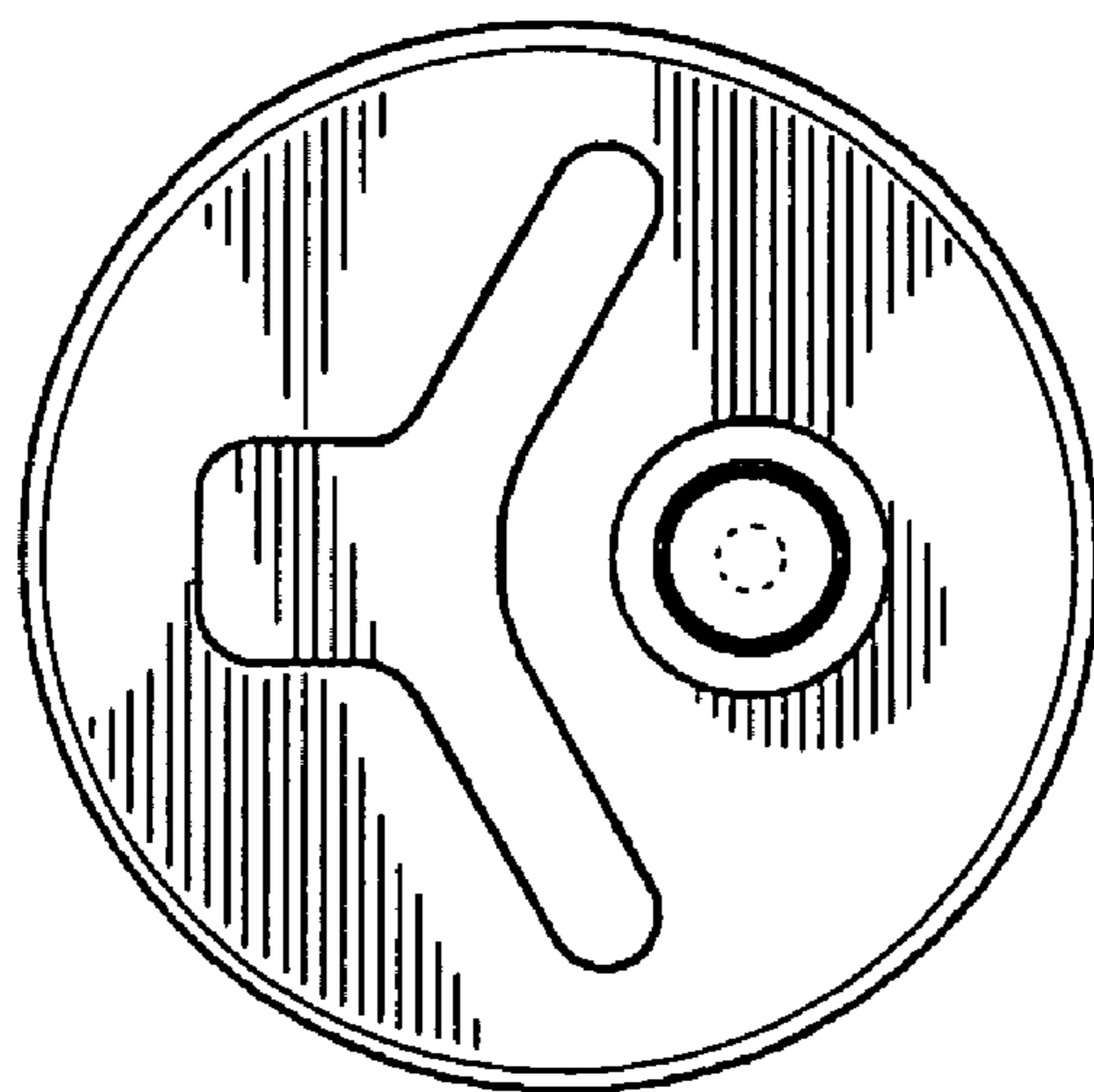


FIG. 6

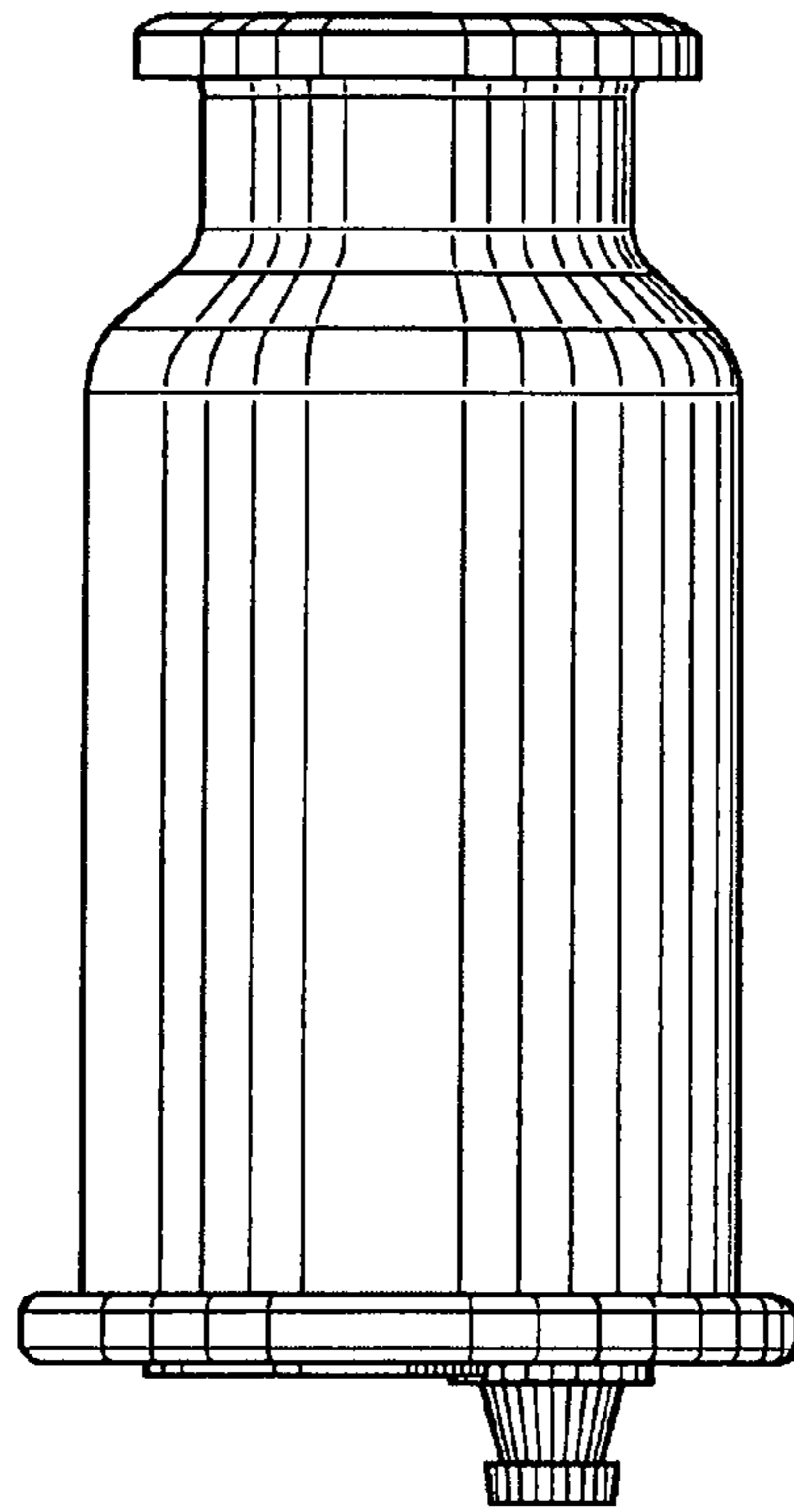


FIG. 7

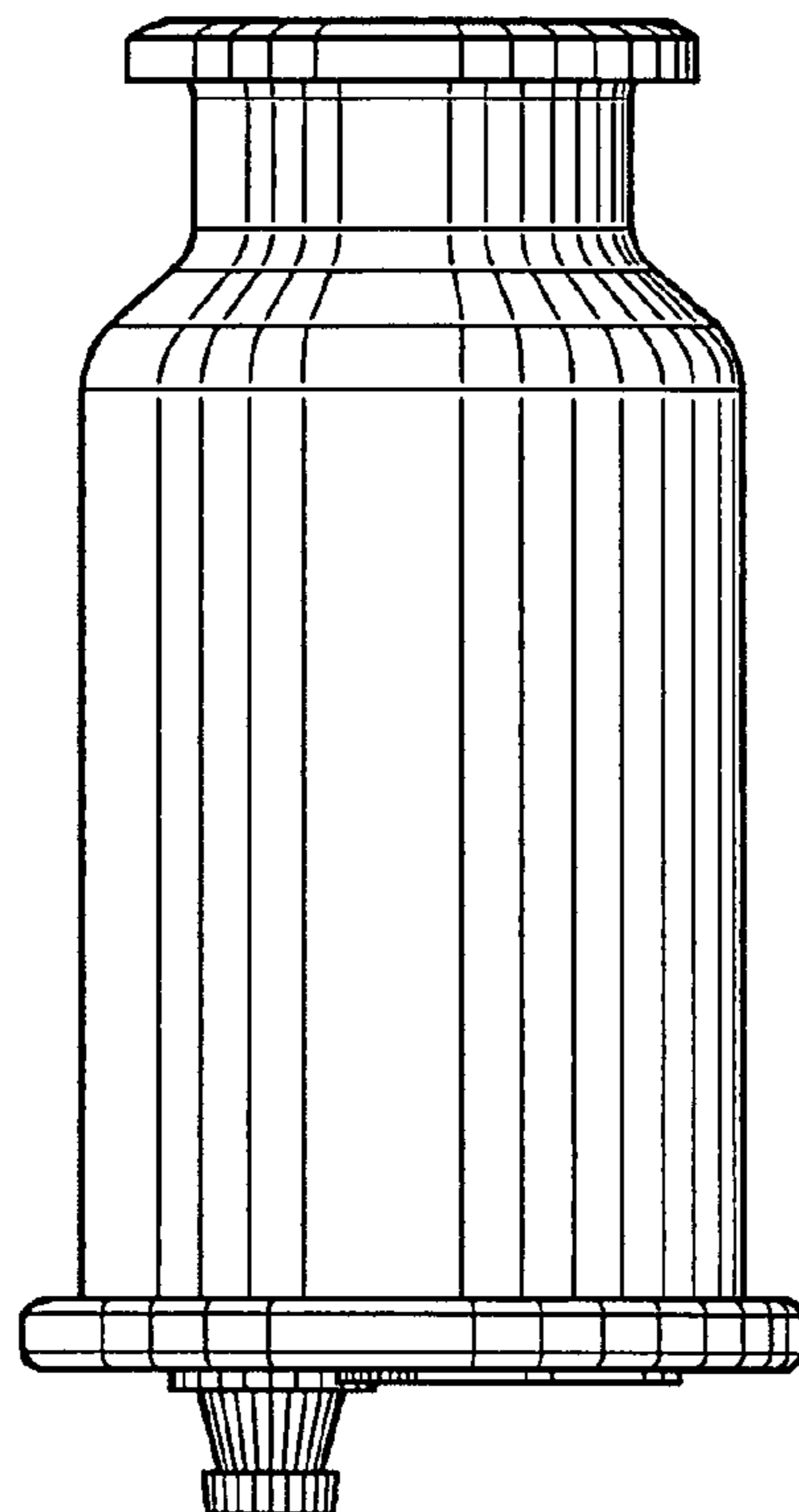


FIG. 8

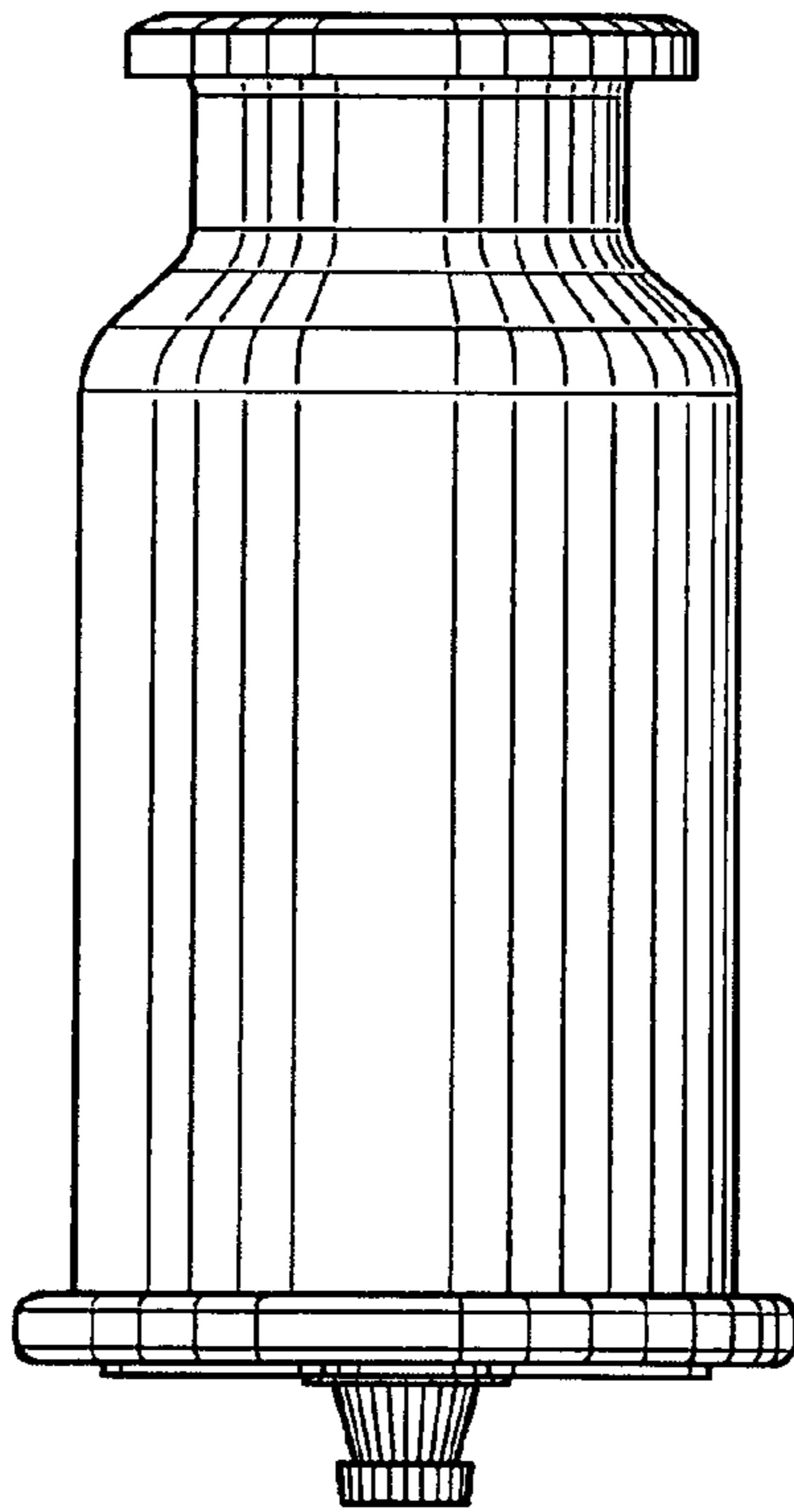


FIG. 9

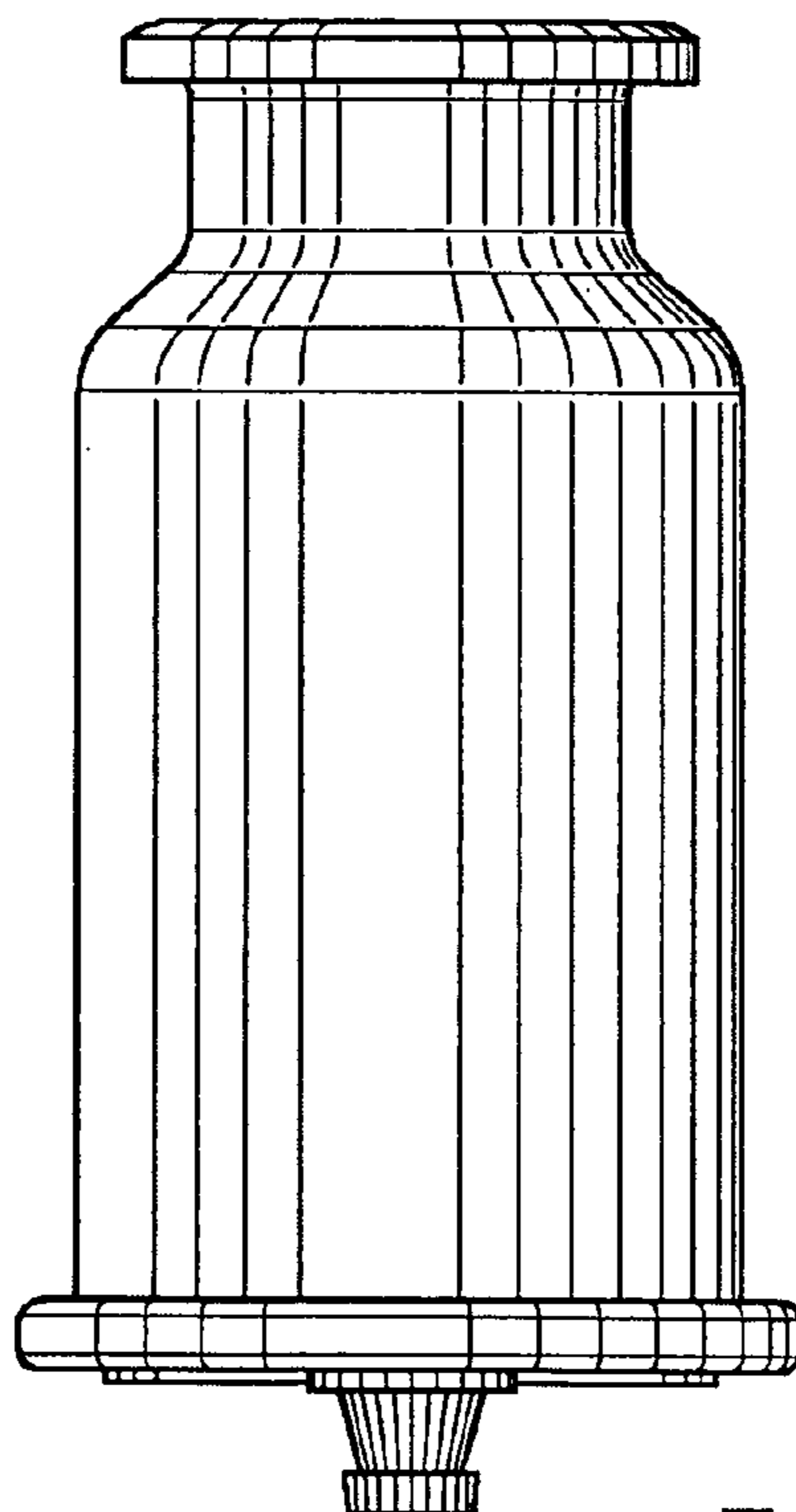


FIG. 10

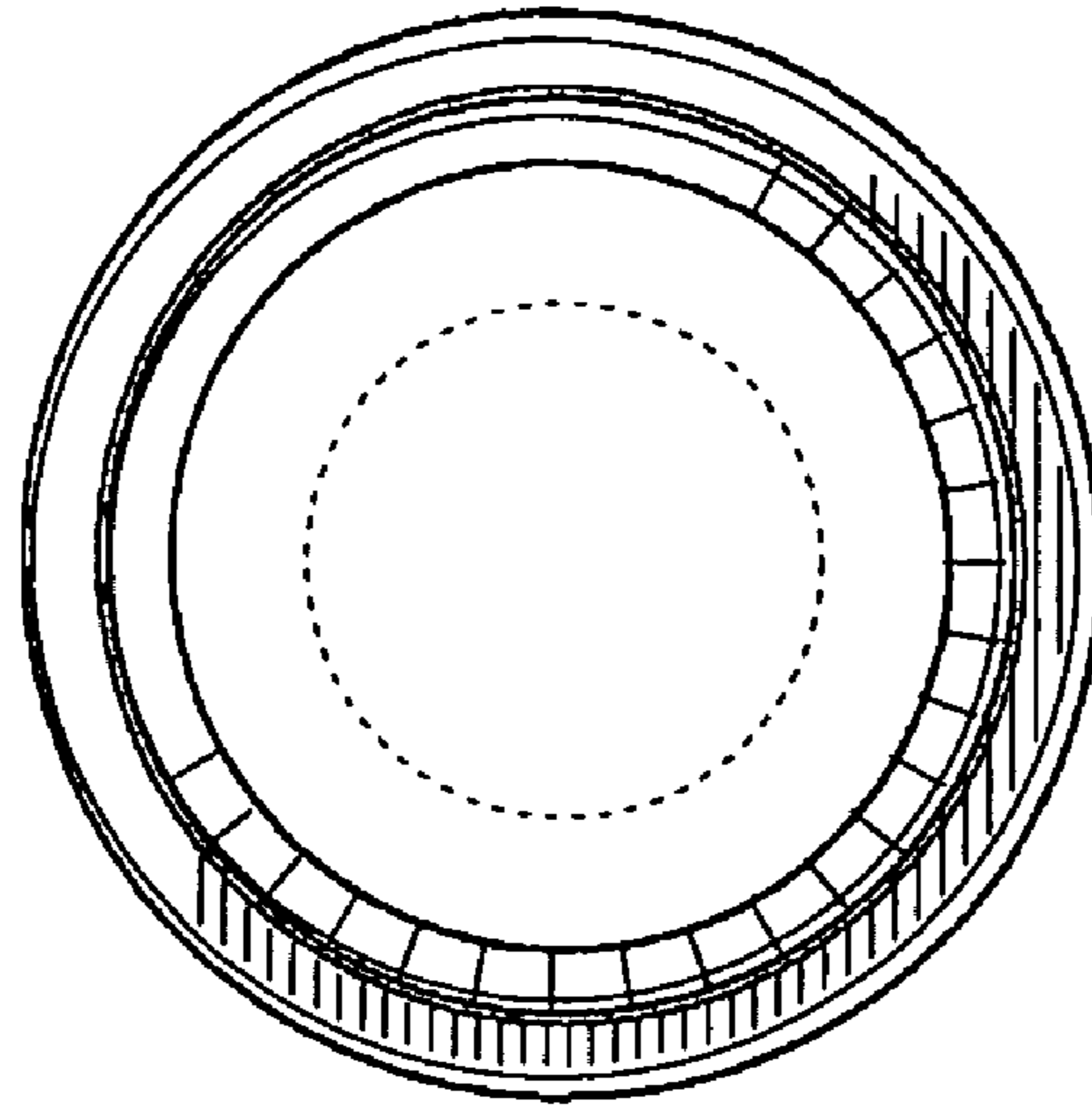


FIG. 11

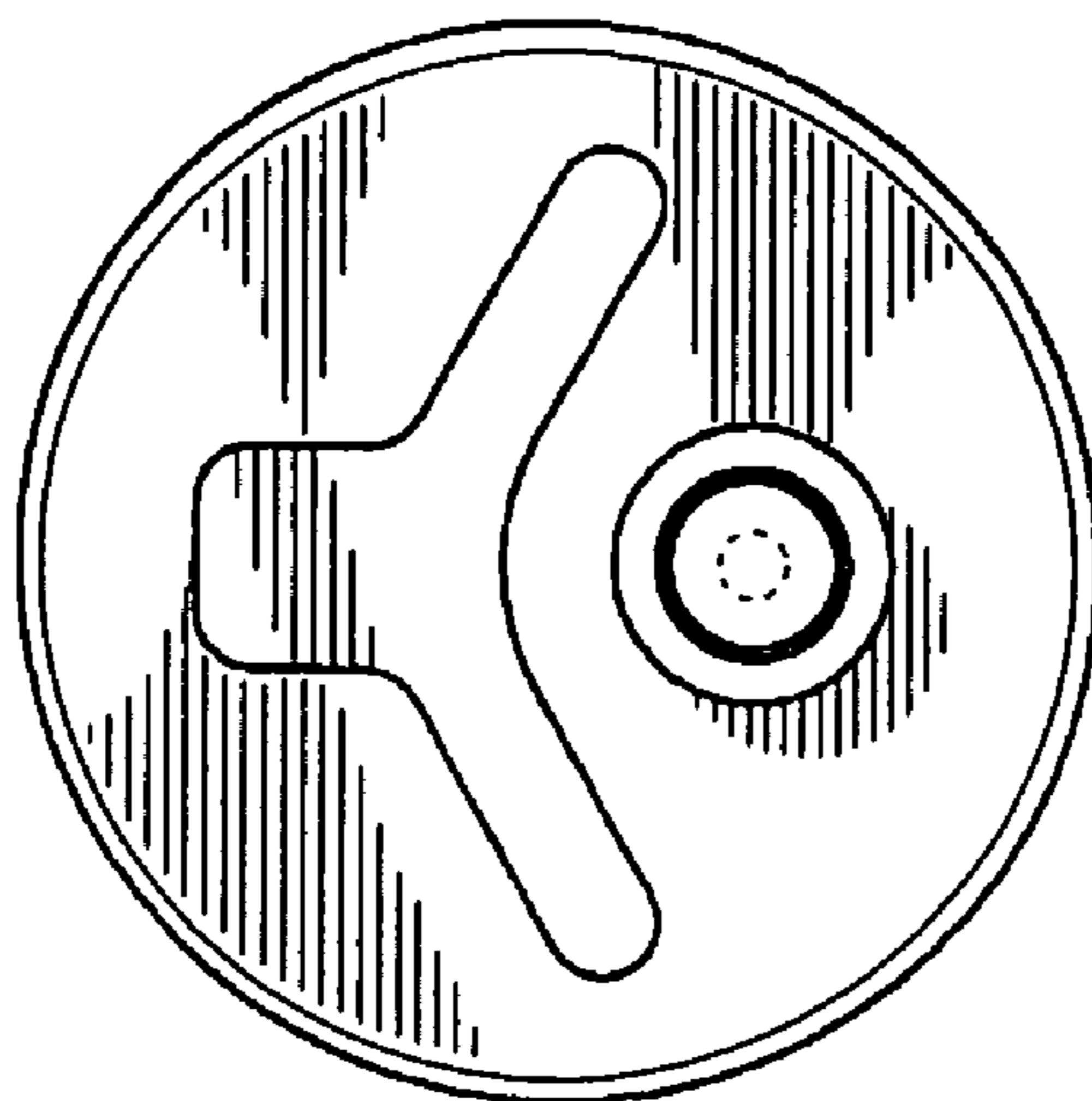


FIG. 12