



US00D589128S

(12) **United States Design Patent**  
**Mitrani**

(10) **Patent No.:** **US D589,128 S**  
(45) **Date of Patent:** **\*\* Mar. 24, 2009**

(54) **SINK**

D560,784 S \* 1/2008 Marshall et al. .... D23/293.1

(75) Inventor: **Avraham Mitrani**, Woodland Hills, CA (US)

\* cited by examiner

(73) Assignee: **Mitrani USA Corporation**, Woodland Hills, CA (US)

*Primary Examiner*—Robert A Delehanty  
(74) *Attorney, Agent, or Firm*—Pillsbury Winthrop Shaw Pittman LLP

(\*\*) Term: **14 Years**

(57) **CLAIM**

(21) Appl. No.: **29/307,314**

The ornamental design for a sink, as shown and described.

(22) Filed: **Apr. 11, 2008**

**DESCRIPTION**

(51) **LOC (9) Cl.** ..... **23-02**

FIG. 1 is a bottom left side elevational view of the sink showing the new design;

(52) **U.S. Cl.** ..... **D23/284**

FIG. 2 is a top right side elevational view thereof;

(58) **Field of Classification Search** ..... D23/271–274,

FIG. 3 is a top view thereof;

D23/284–293.1, 303, 308; 4/619, 624, 660

FIG. 4 is a front view thereof;

See application file for complete search history.

FIG. 5 is a right side view thereof;

FIG. 6 is a left side view thereof;

FIG. 7 is a back view thereof; and,

FIG. 8 is a bottom view thereof.

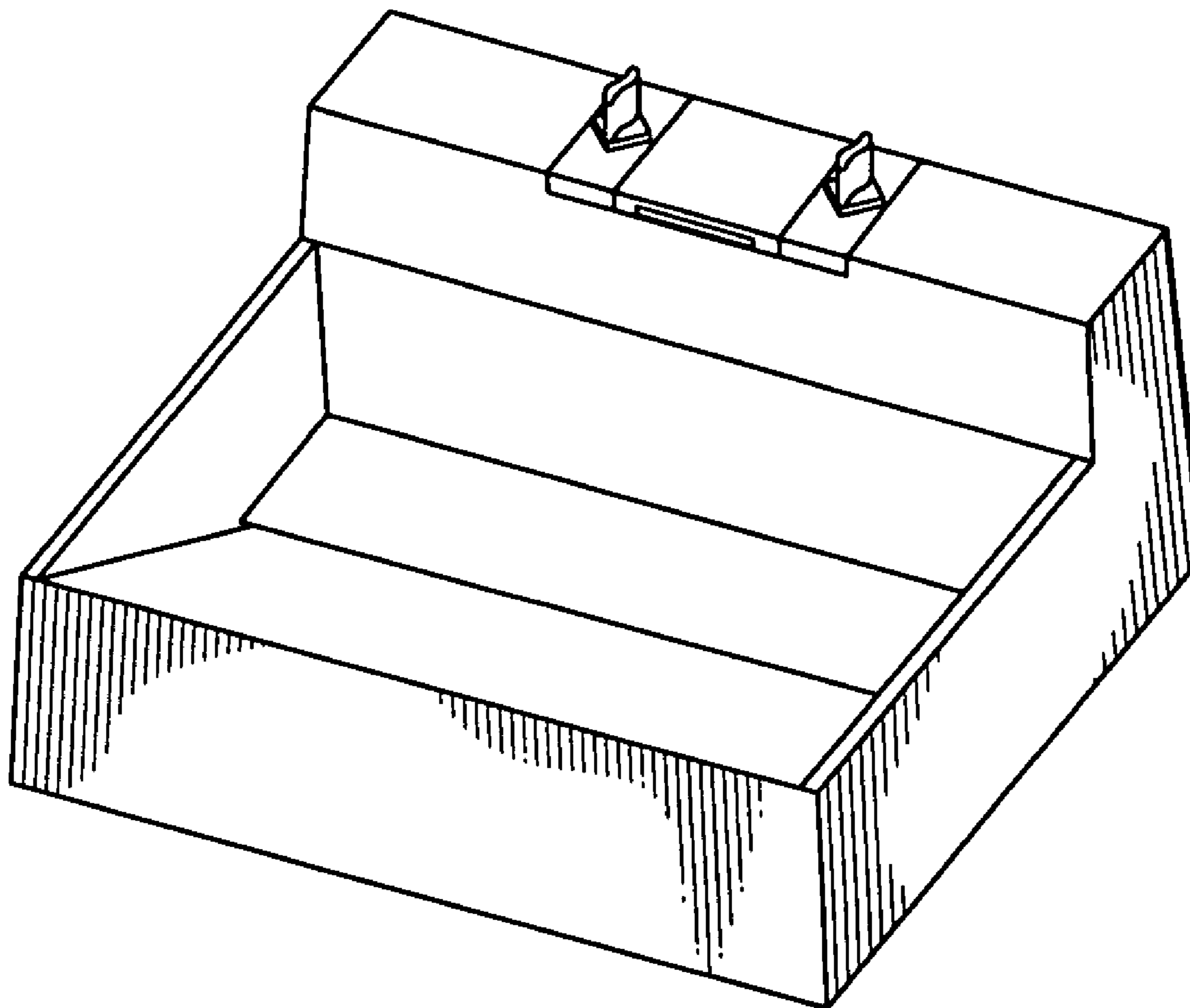
(56) **References Cited**

**U.S. PATENT DOCUMENTS**

D539,879 S \* 4/2007 Stein ..... D23/293.1

D545,415 S \* 6/2007 Tani et al. .... D23/293.1

**1 Claim, 3 Drawing Sheets**



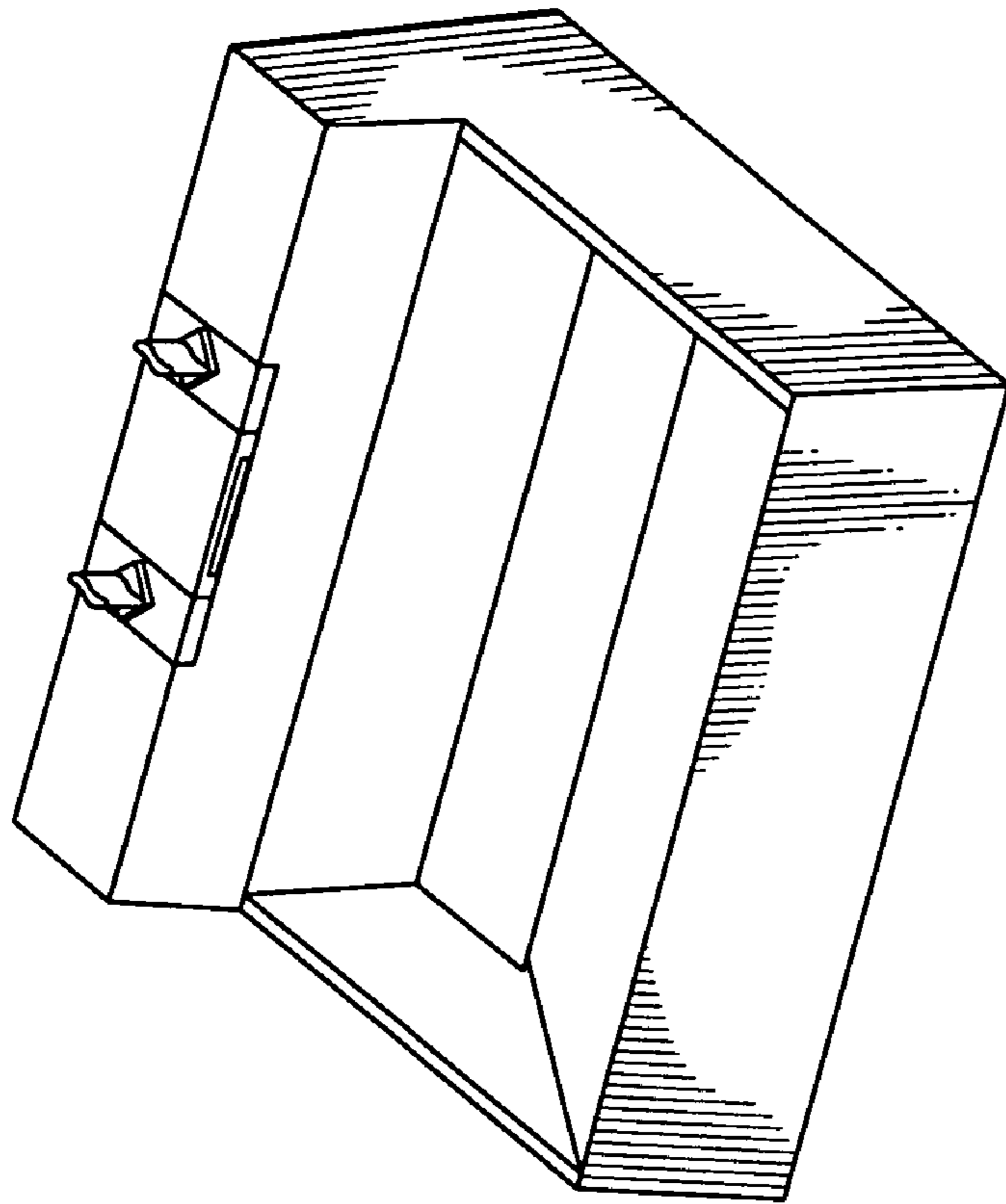


FIG. 2

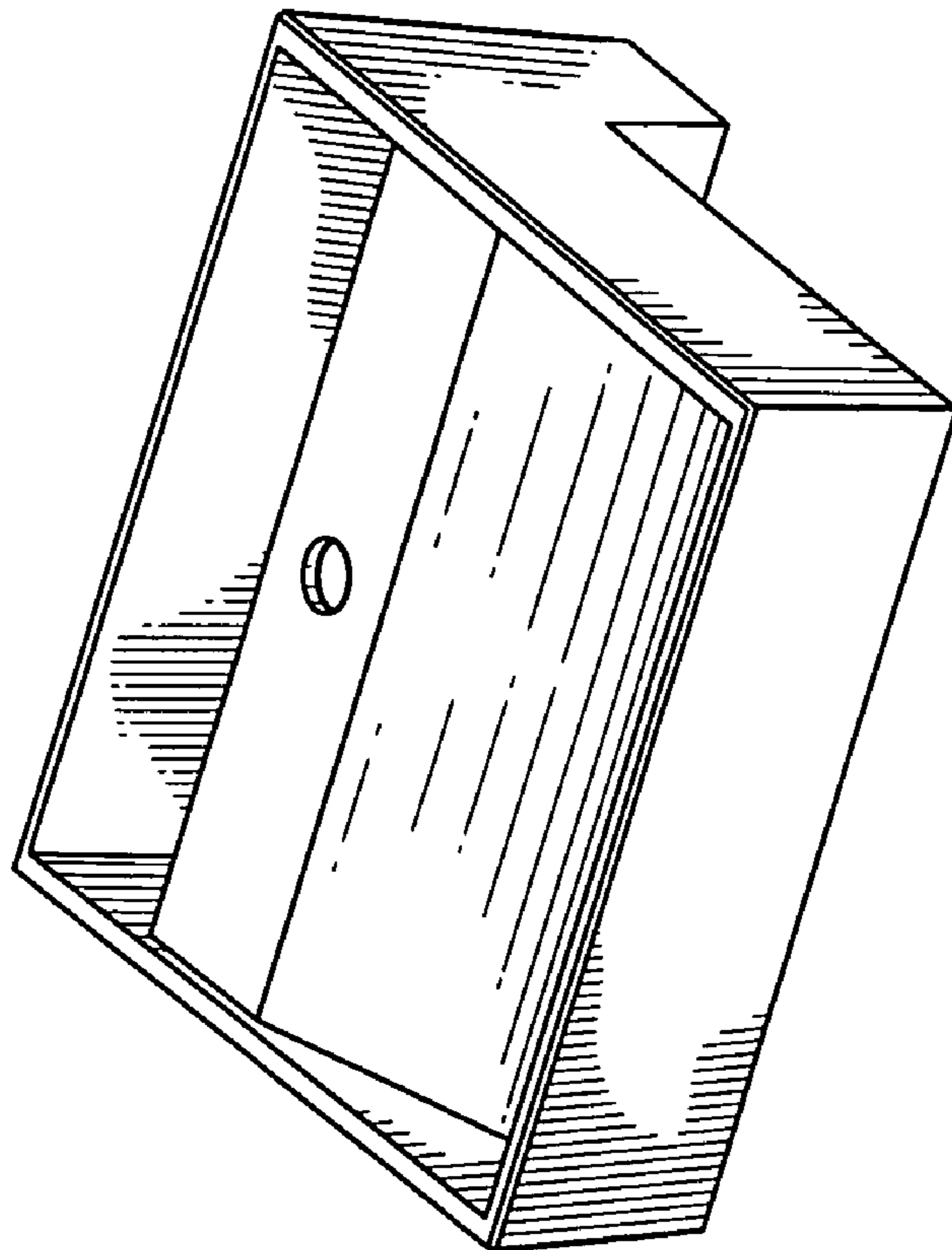


FIG. 1

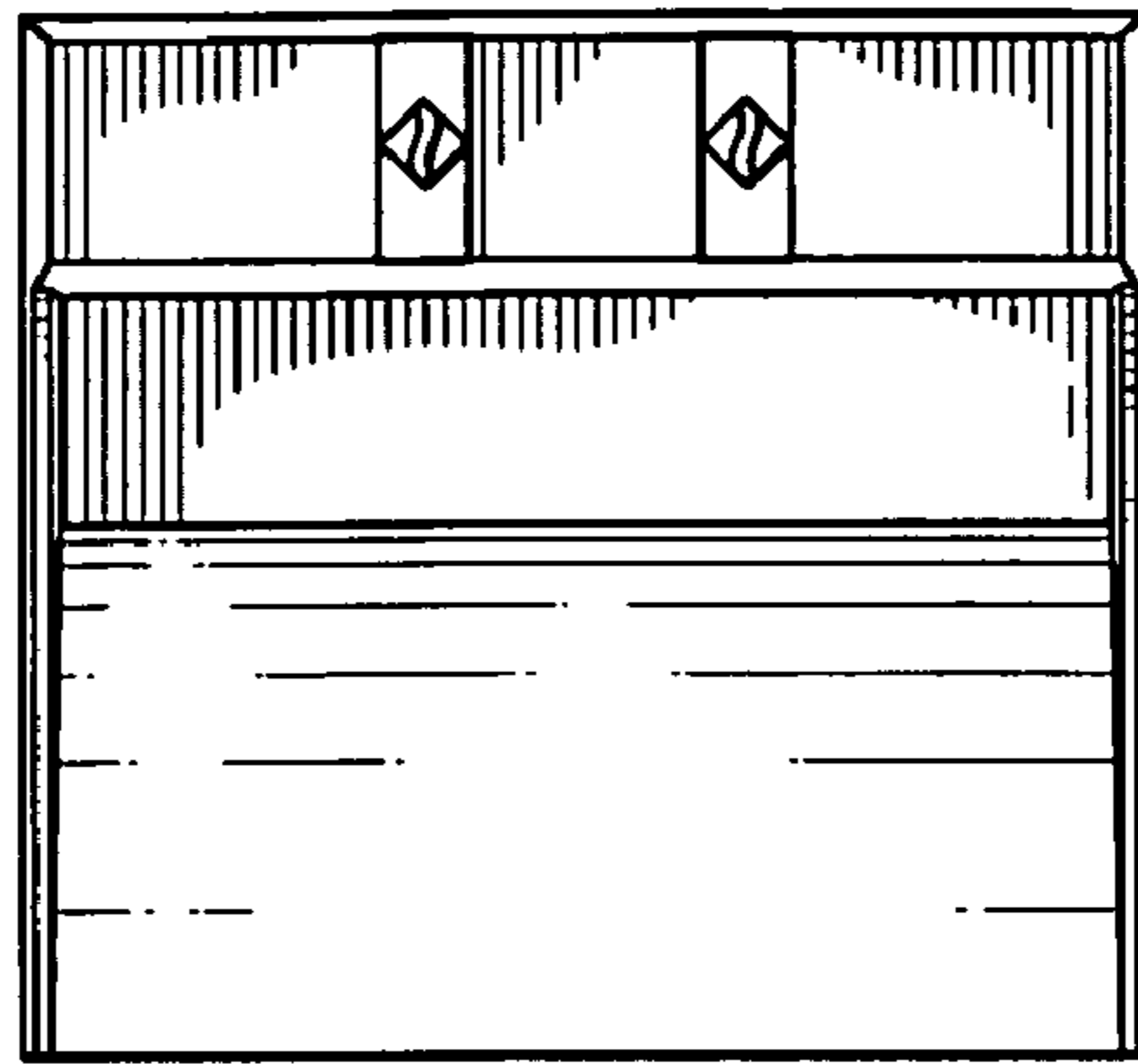


FIG. 3

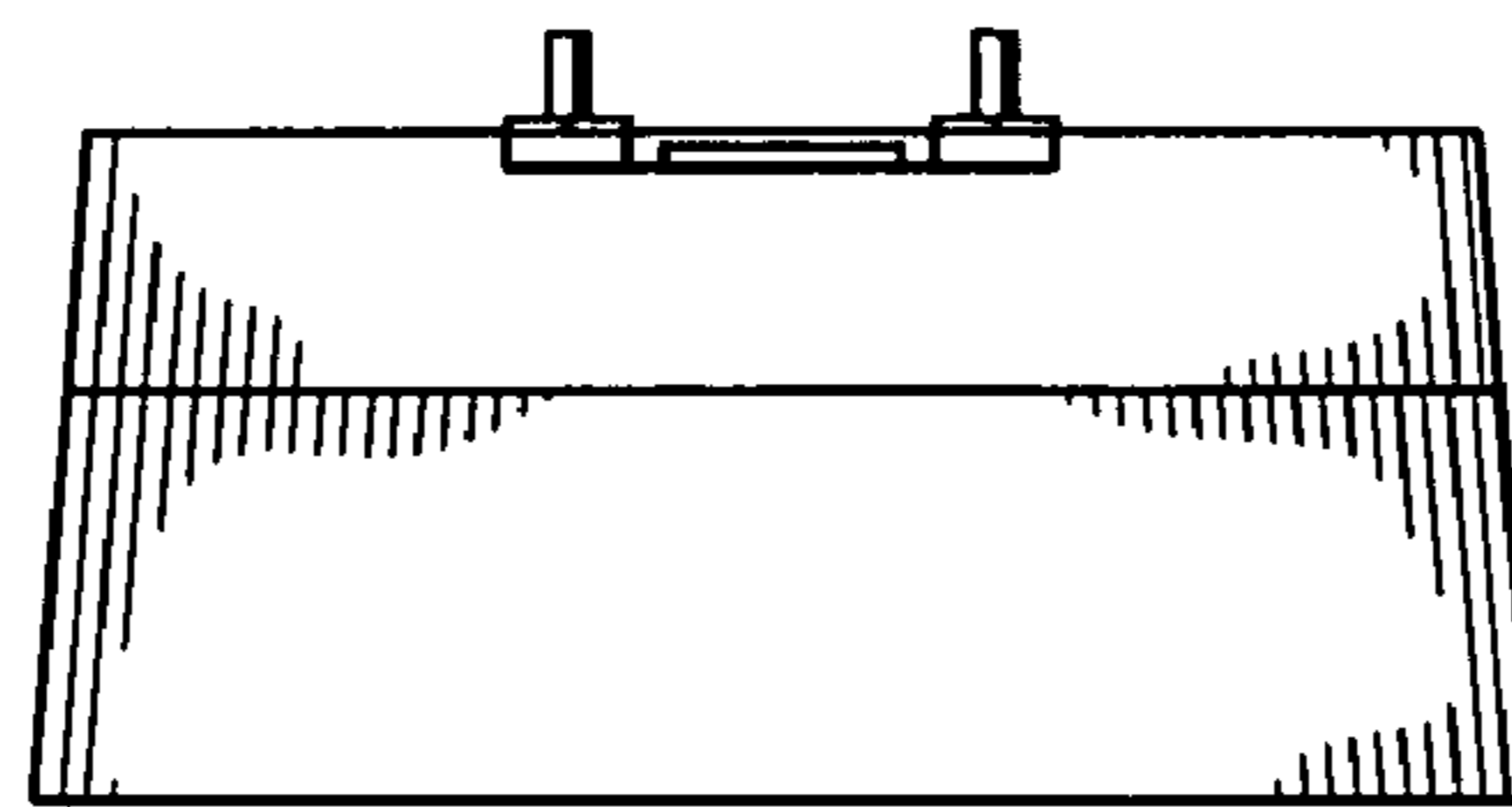


FIG. 4

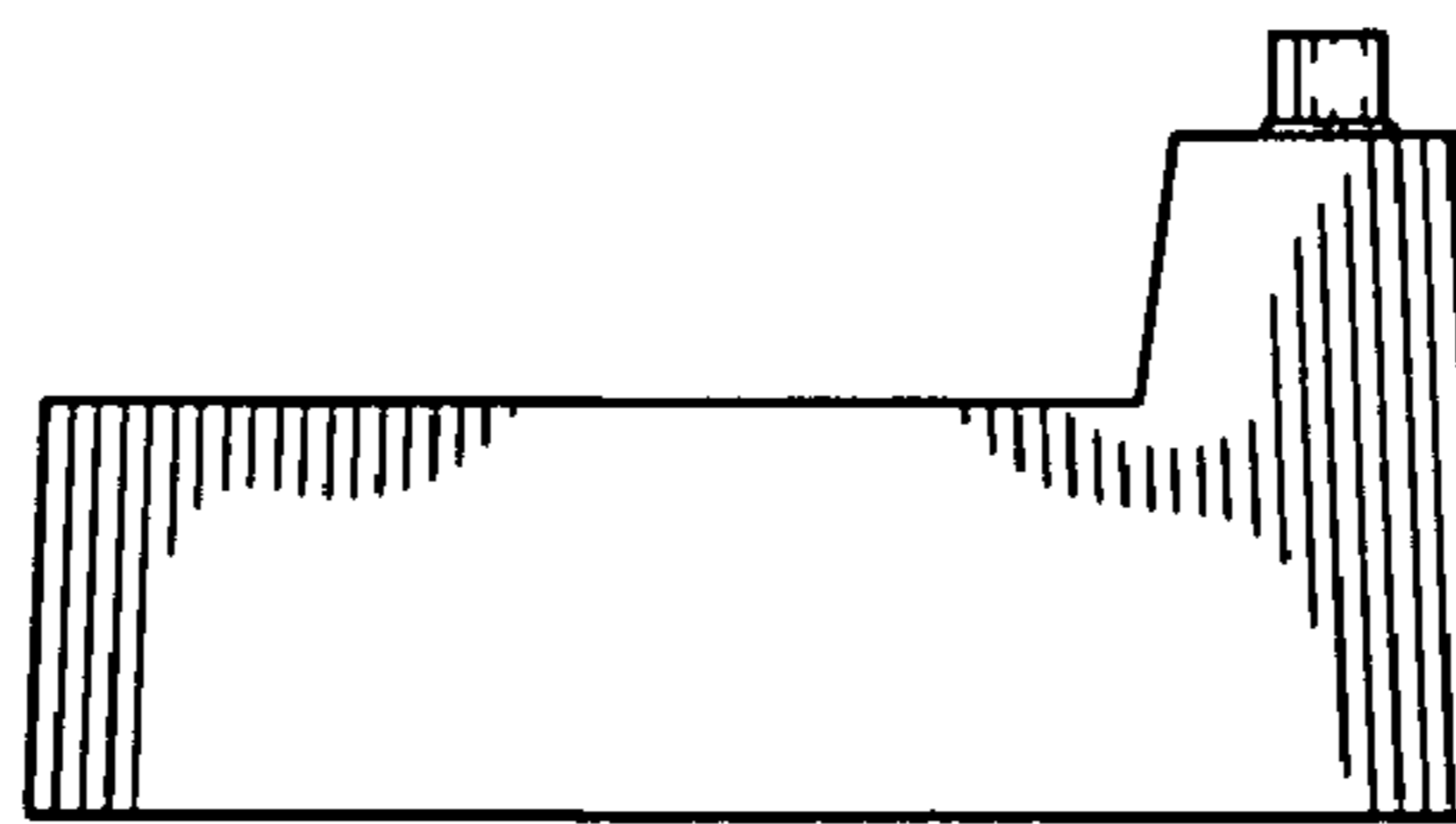


FIG. 5



FIG. 6

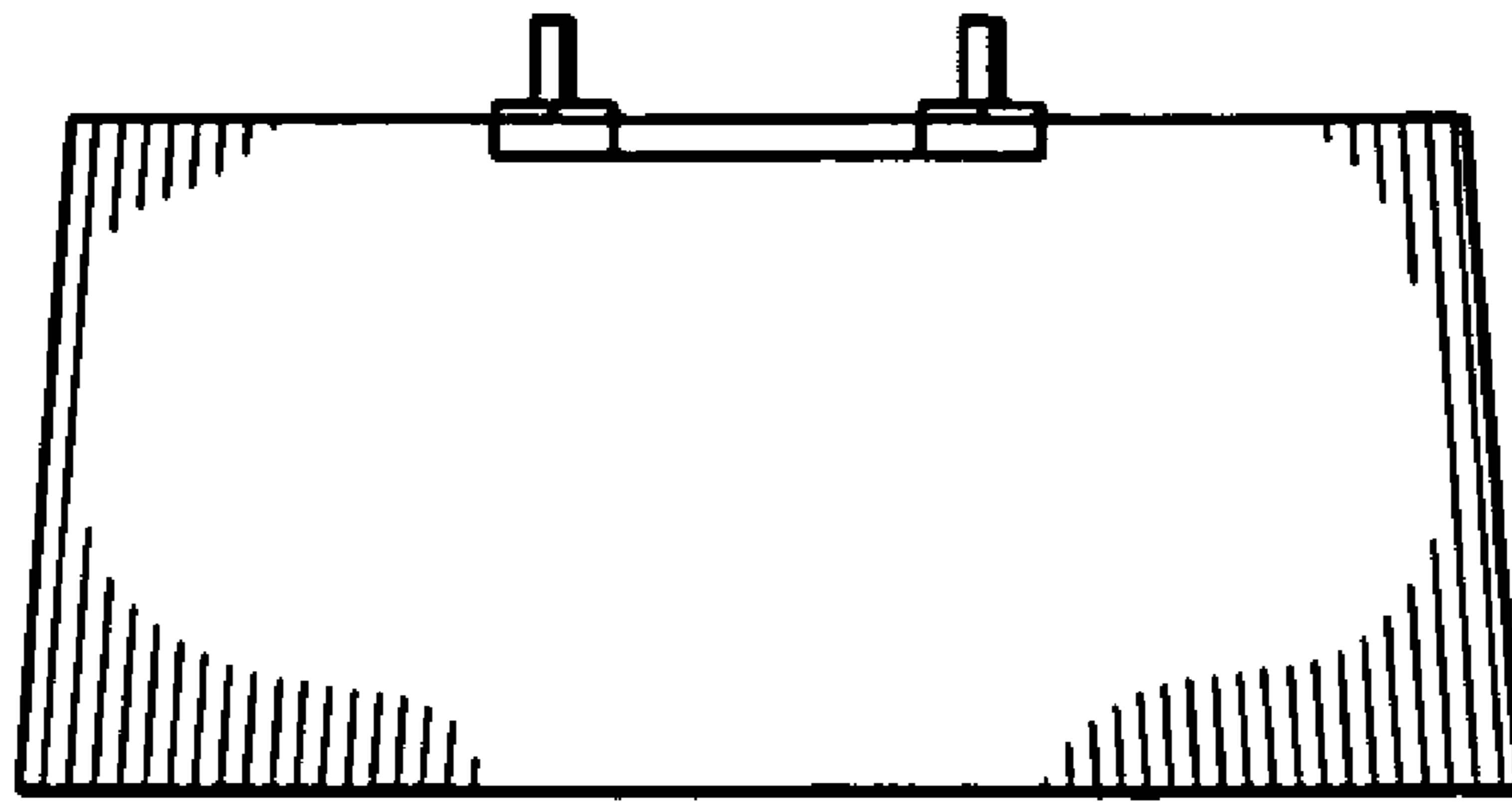


FIG. 7

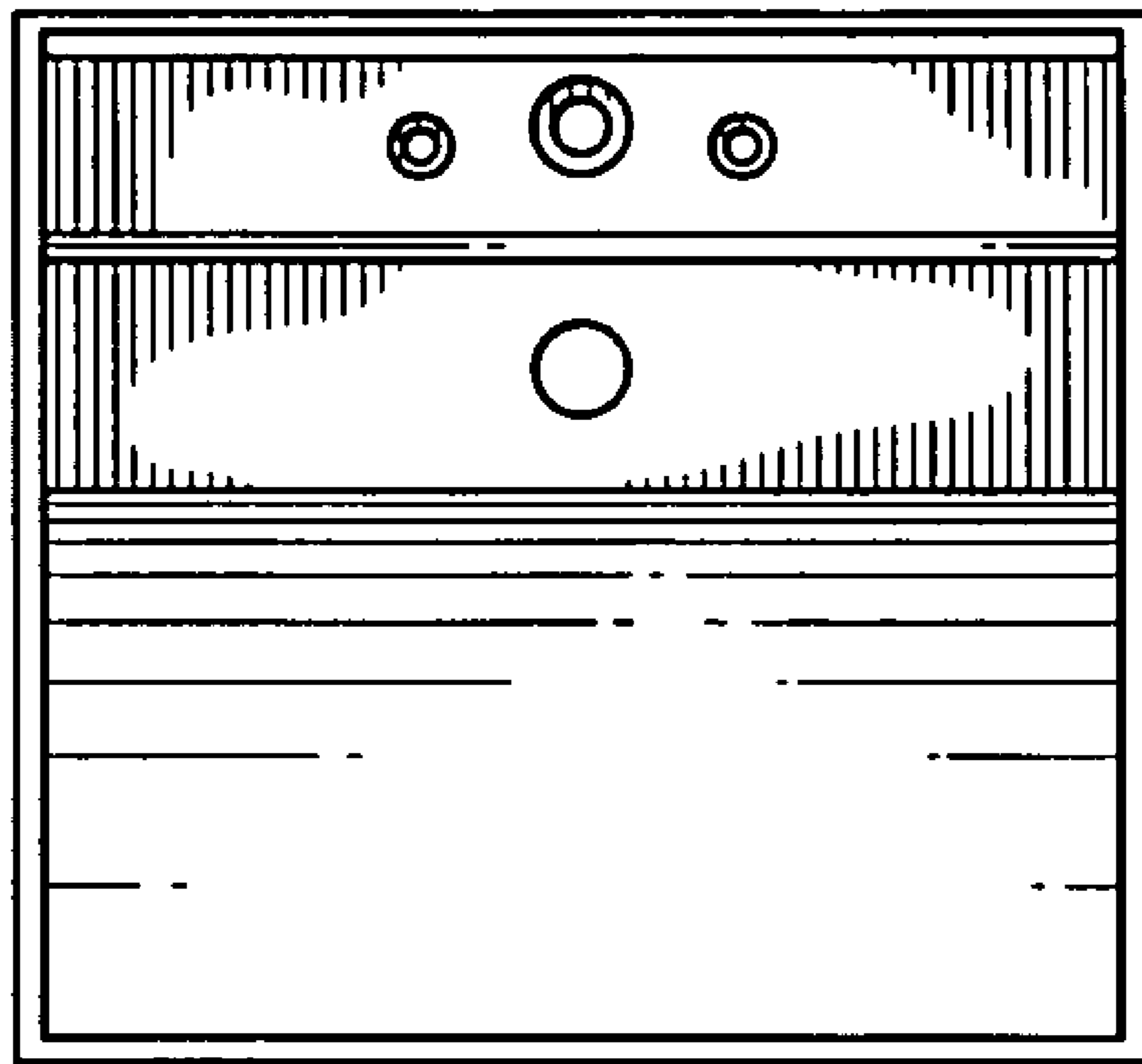


FIG. 8