



US00D589127S

(12) **United States Design Patent**
Cornwall

(10) **Patent No.:** **US D589,127 S**
(45) **Date of Patent:** **** Mar. 24, 2009**

(54) **PLUMBING FITTING**

2007/0028831 A1* 2/2007 Aniban, Jr. 116/228

(76) Inventor: **Kenneth R. Cornwall**, 1020 Vintage Club Dr., Duluth, GA (US) 30097

FOREIGN PATENT DOCUMENTS

(**) Term: **14 Years**

JP 09158278 A * 6/1997
JP 2001032357 A * 2/2001
WO WO 3031737 A1 * 4/2003

(21) Appl. No.: **29/283,515**

OTHER PUBLICATIONS

(22) Filed: **Aug. 16, 2007**

Walter Cornwall, LLC, Design Manual No. 101/o Sovent Single Stack DWV System.

(51) **LOC (9) Cl.** **23-01**

* cited by examiner

(52) **U.S. Cl.** **D23/268**

(58) **Field of Classification Search** D23/213,
D23/249, 257, 259, 260, 261, 262, 263, 264,
D23/265, 266, 267, 268; 4/675-678, 681;
285/1, 53, 112, 340, 367, 373, 404, 915;
403/291, 300

Primary Examiner—Cathron C Brooks

Assistant Examiner—Michael A Pratt

(74) *Attorney, Agent, or Firm*—Mary M. Moyne; Fraser Trebilcock Davis & Dunlap, P.C.

See application file for complete search history.

(57) **CLAIM**

(56) **References Cited**

The ornamental design for a plumbing fitting, as shown and described.

U.S. PATENT DOCUMENTS

DESCRIPTION

1,186,280	A	6/1916	Carson	
1,747,514	A	2/1930	Kennedy	
2,065,523	A	12/1936	Groeniger	
3,007,484	A *	11/1961	Hallinan	137/410
3,287,885	A	11/1966	Sommer	
3,346,887	A	10/1967	Sommer	
3,853,140	A	12/1974	Gorman	
4,360,041	A *	11/1982	Hagan et al.	138/89
4,614,065	A *	9/1986	Papp	52/20
4,823,411	A *	4/1989	Nettel	4/256.1
4,998,754	A	3/1991	Matsumoto et al.	
5,234,018	A *	8/1993	Grachal et al.	137/244
5,577,531	A *	11/1996	Hayden et al.	137/369
6,425,217	B1	7/2002	Furukawa et al.	

FIG. 1 is a left side elevational view of a plumbing fitting showing my new design, the right side being a mirror image thereof;

FIG. 2 is a rear elevational view thereof;

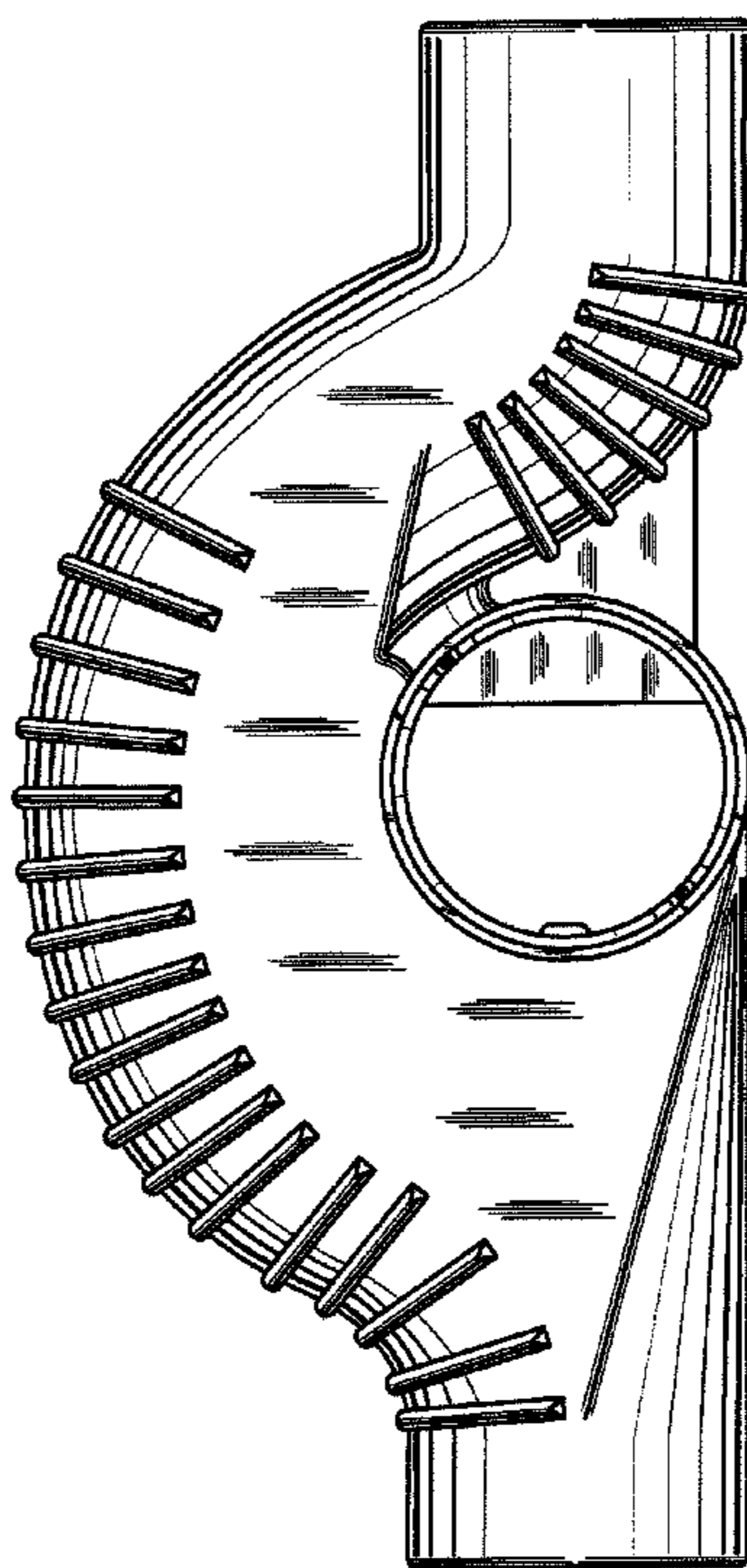
FIG. 3 is a front elevational view thereof;

FIG. 4 is a bottom plan view thereof;

FIG. 5 is a top plan view thereof; and,

FIG. 6 is a perspective view thereof.

1 Claim, 5 Drawing Sheets



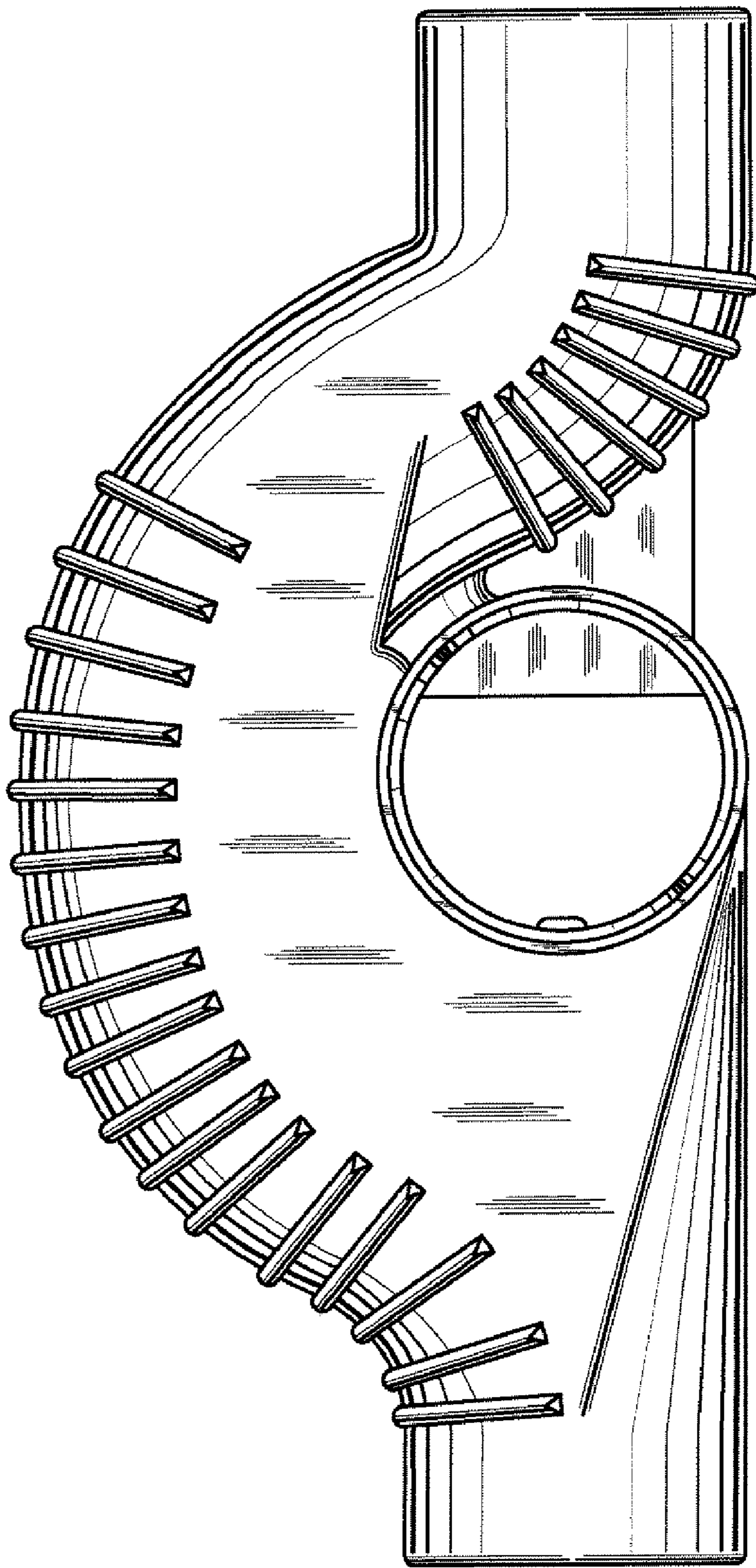
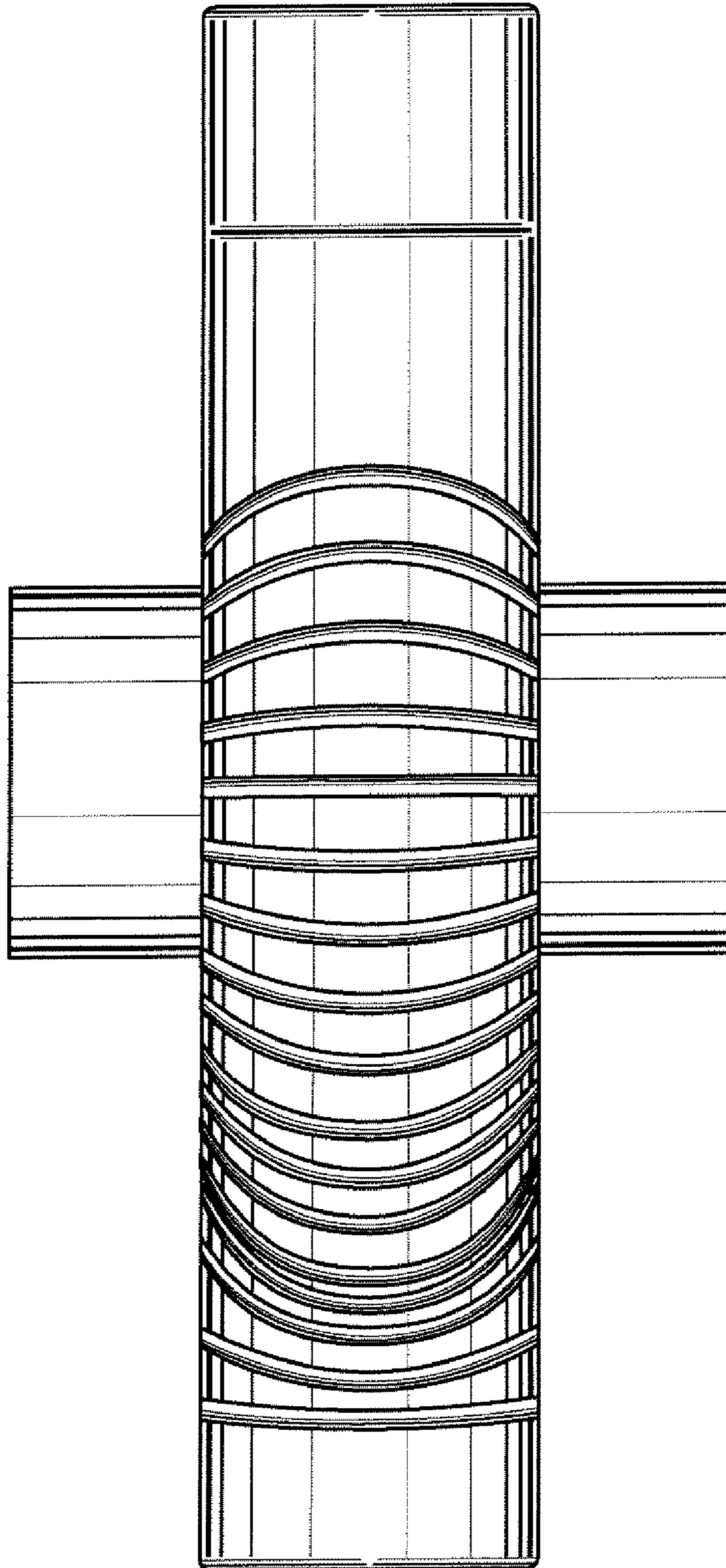
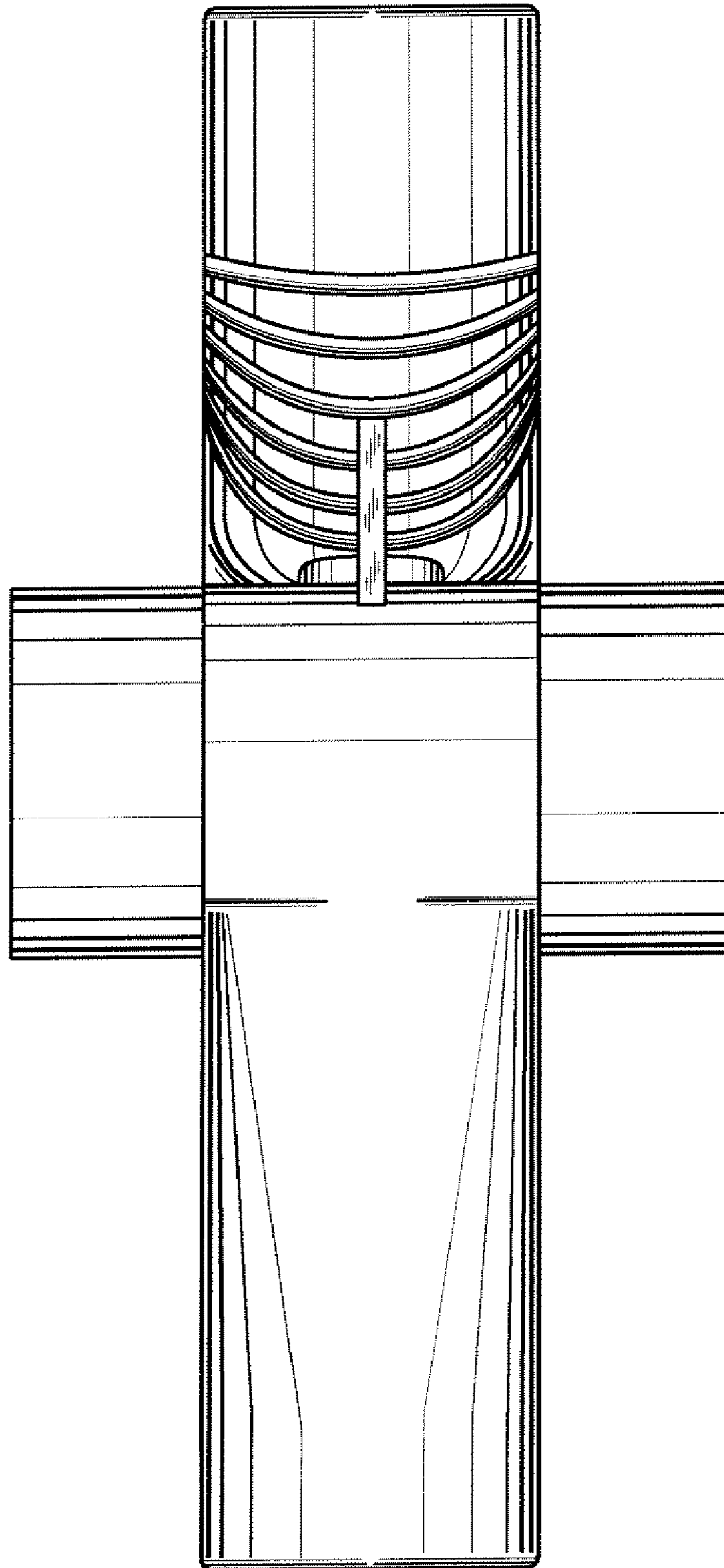


FIG. 1



—FIG. 2



— FIG. 3

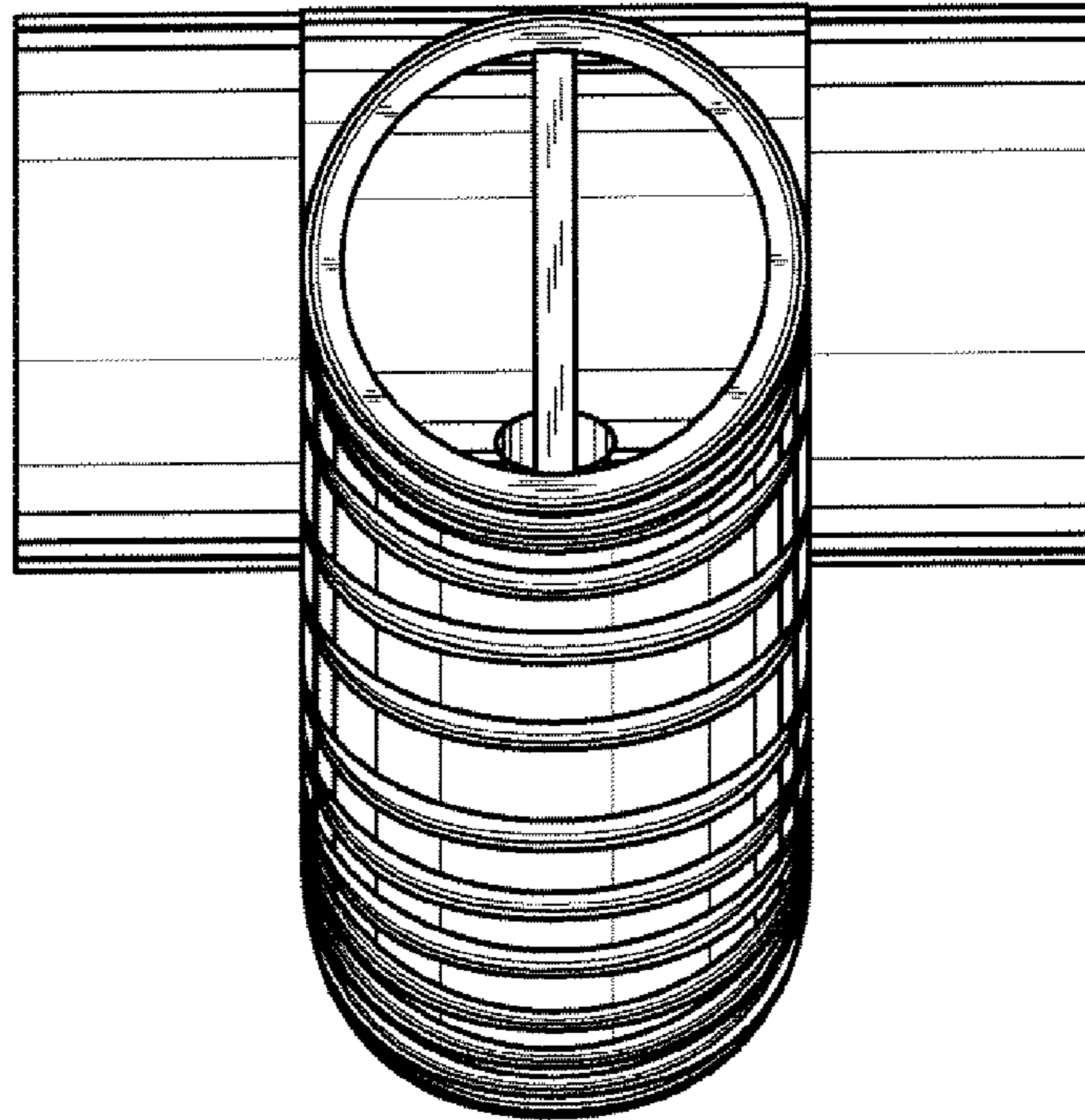


FIG. 4

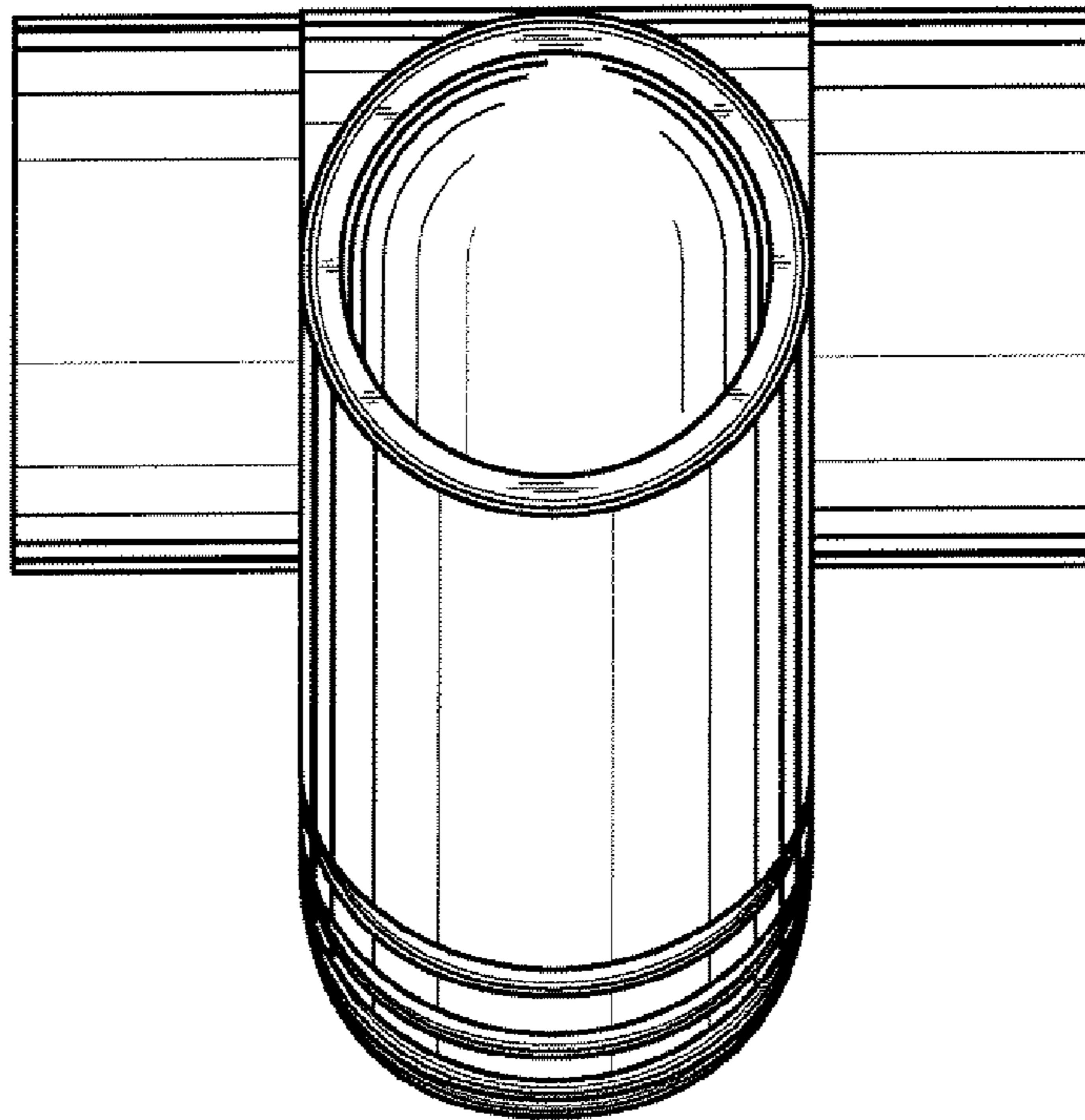


FIG. 5

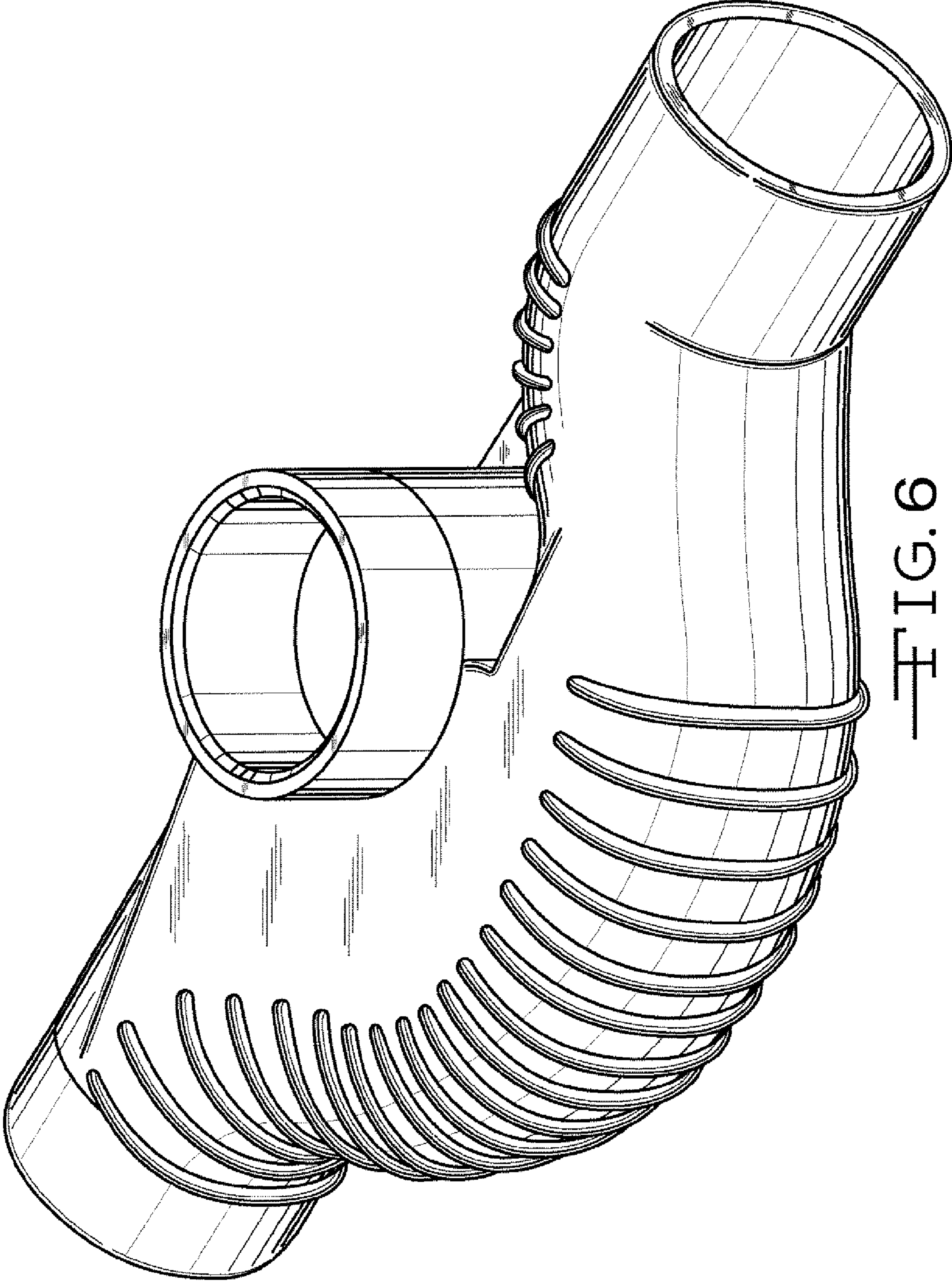


FIG. 6