



US00D589124S

(12) **United States Design Patent**
Soulier

(10) **Patent No.:** **US D589,124 S**
(45) **Date of Patent:** **** Mar. 24, 2009**

(54) **SPOUT BODY**

(75) Inventor: **Jean-Hugues Soulier**, Paris (FR)

(73) Assignee: **Kohler France SAS**, Paris (FR)

(**) Term: **14 Years**

(21) Appl. No.: **29/284,134**

(22) Filed: **Aug. 31, 2007**

(51) **LOC (9) Cl.** **23-01**

(52) **U.S. Cl.** **D23/255**

(58) **Field of Classification Search** D23/238–243,
D23/255–257; 4/675–678; 137/801; D8/300,
D8/307–308, 321; 16/110.1

See application file for complete search history.

(56) **References Cited**

U.S. PATENT DOCUMENTS

D299,851 S	2/1989	Rademacher	
D351,218 S	10/1994	Sieger	
D445,879 S	7/2001	Starck	
D447,540 S	9/2001	Starck	
D463,848 S *	10/2002	Haug et al. D23/241
D464,121 S *	10/2002	Storti et al. D23/257
D468,398 S	1/2003	Ziemann	
D472,961 S	4/2003	Ziemann	
D479,870 S	9/2003	Hung	
D520,119 S	5/2006	Kulig	
D544,582 S	6/2007	Castellanos	
D576,707 S *	9/2008	Schonherr et al. D23/238

FOREIGN PATENT DOCUMENTS

WO	DM052999	11/2001
WO	DM061461	11/2002

OTHER PUBLICATIONS

Jacob Delafon. “Ginko CD lavatory”. Model No. E76915. Jacob Delafon online catalog. Date located Jun. 22, 2007.
Lavabo. “Fantini 4056”. Lavabo online catalog.

FIMA (Carlo Frattini) Rubinetterie. “Extra”. Model 5261. FIMA (Carlo Frattini) Rubinetterie online catalog. Earliest date known Dec. 17, 2004.

FIMA (Carlo Frattini) Rubinetterie. “Extra”. Model 5281. FIMA (Carlo Frattini) Rubinetterie online catalog. Earliest date known Dec. 17, 2004.

FIMA (Carlo Frattini) Rubinetterie. “Maxima”. Model 5311. FIMA (Carlo Frattini) Rubinetterie online catalog. Earliest date known Dec. 17, 2004.

FIMA (Carlo Frattini) Rubinetterie. “Maxima”. Model 5331. FIMA (Carlo Frattini) Rubinetterie online catalog. Earliest date known Dec. 17, 2004.

* cited by examiner

Primary Examiner—Robert A Delehanty

(74) *Attorney, Agent, or Firm*—Quarles & Brady LLP

(57) **CLAIM**

The ornamental design for a spout body, as shown and described.

DESCRIPTION

In a preferred embodiment, the nature of this product is a spout body for a faucet.

FIG. 1 is a left, top, front perspective view of a spout body according to my new design;

FIG. 2 is a front elevational view thereof;

FIG. 3 is a rear elevational view thereof;

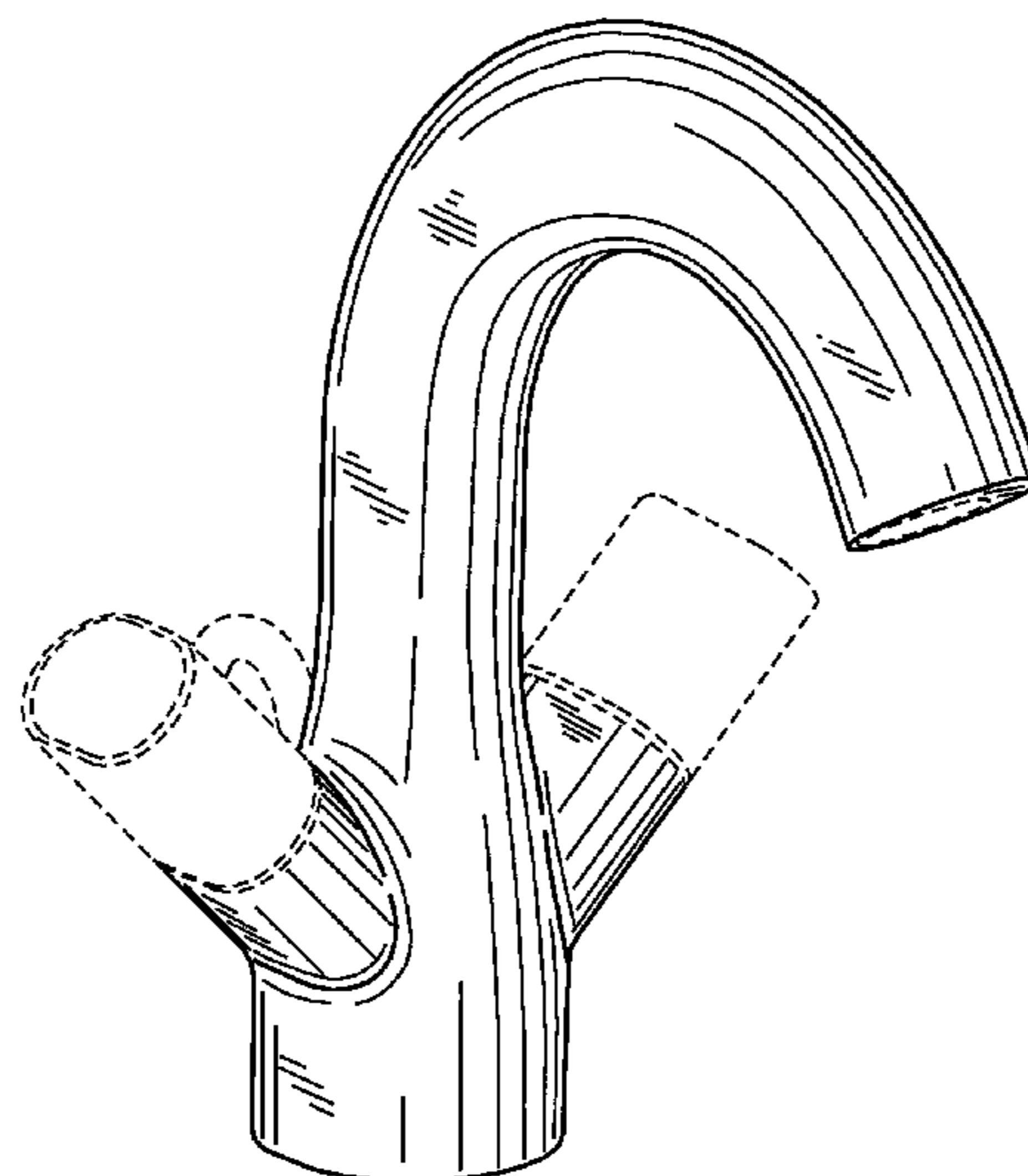
FIG. 4 is a left side elevational view thereof, the right side elevational view thereof being a mirror image of the left side shown;

FIG. 5 is a top plan view thereof; and,

FIG. 6 is a bottom plan view thereof.

The broken line representations in the figures, including broken line representations of a spout opening, pull-up structure and handle environment, are for the purpose of illustration only, and form no part of the claimed design.

1 Claim, 4 Drawing Sheets



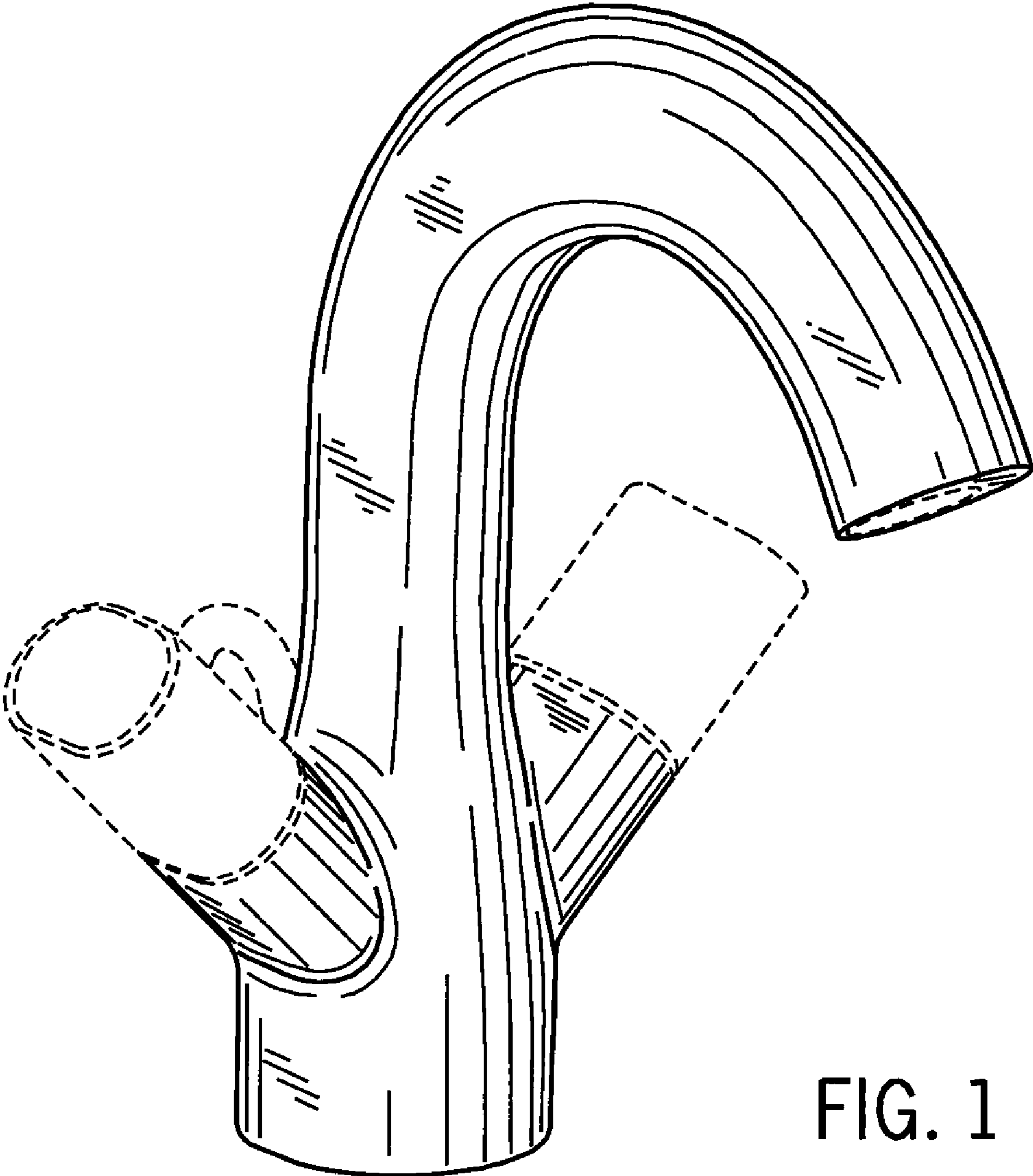


FIG. 1

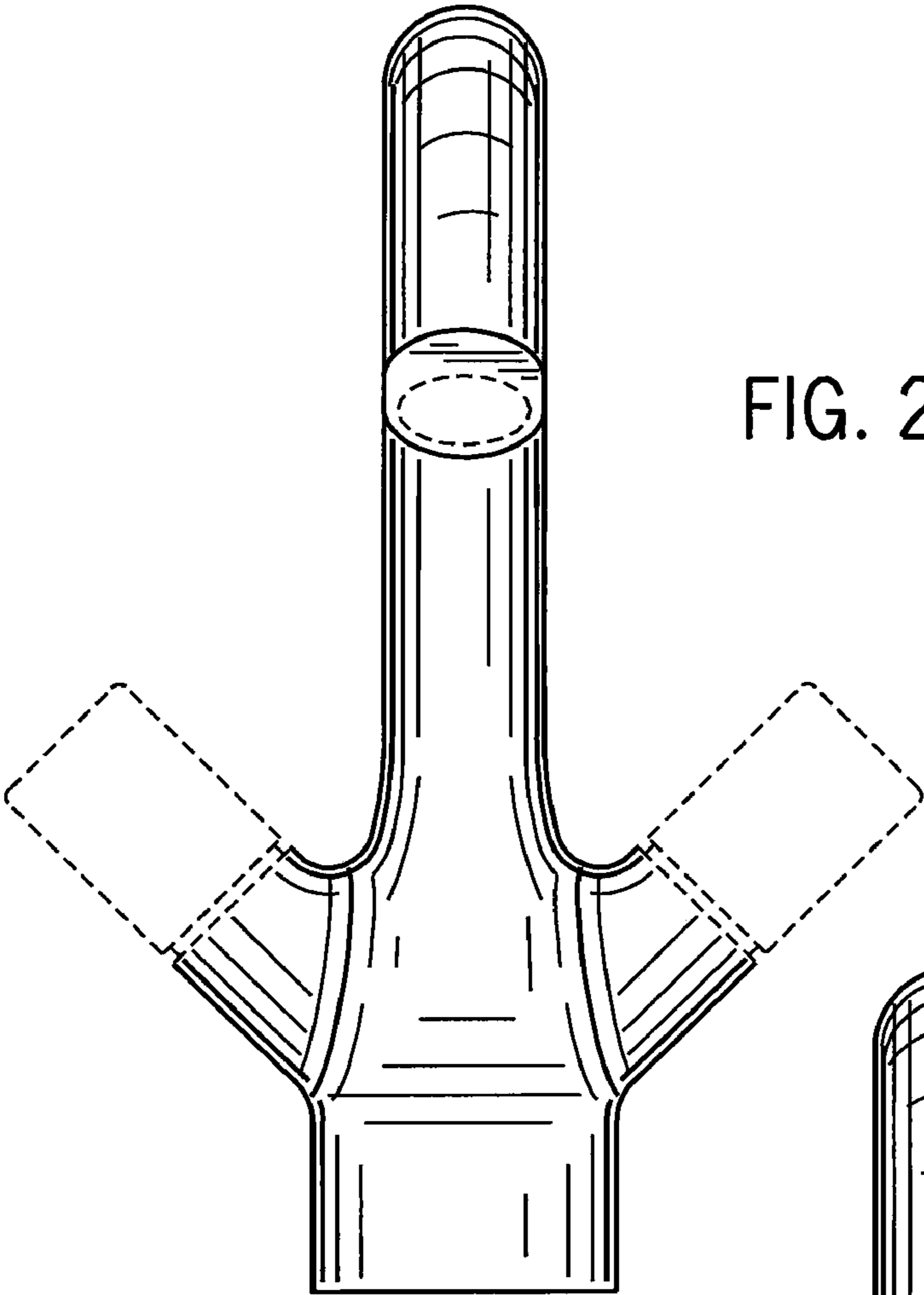


FIG. 2

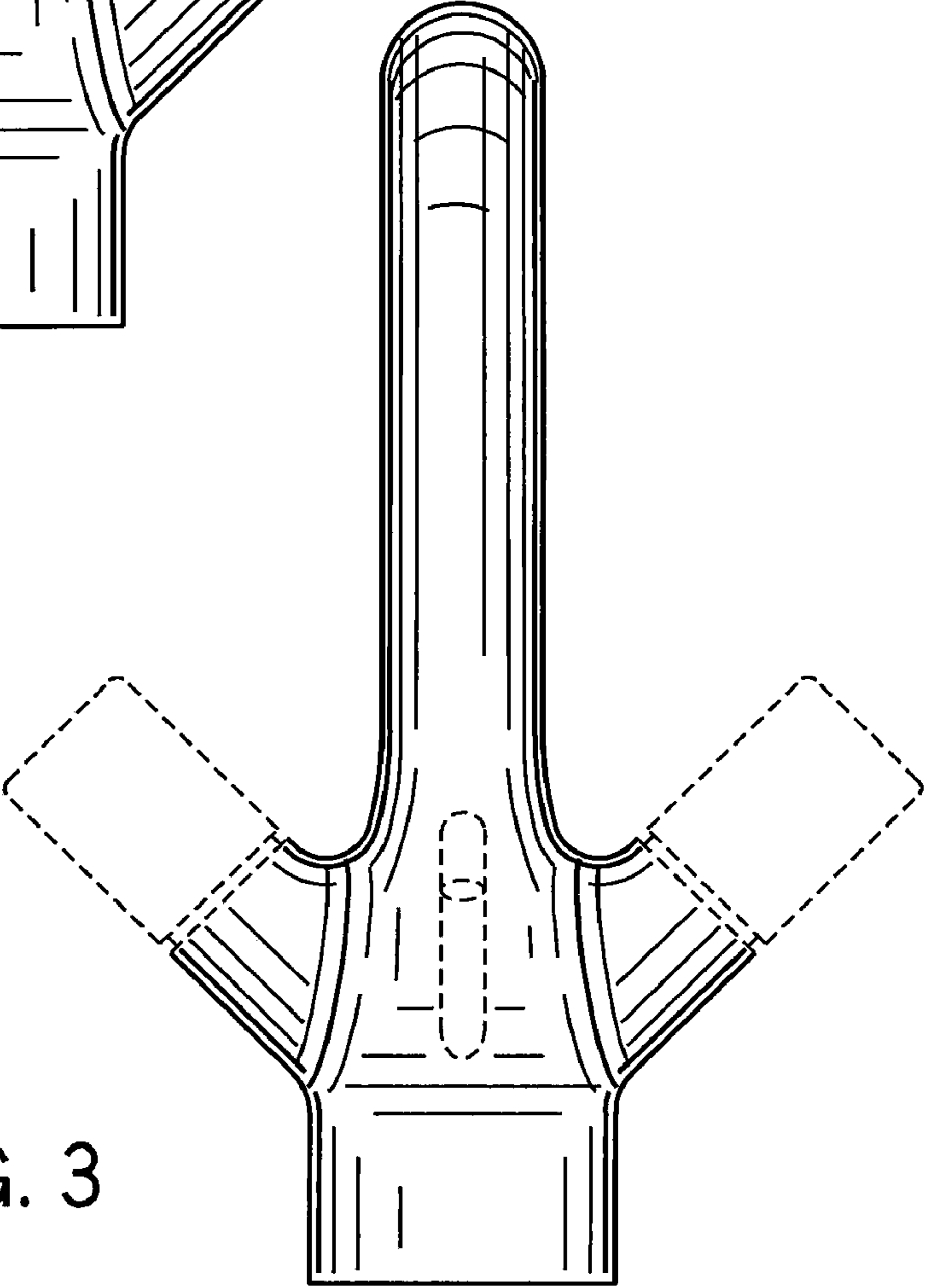


FIG. 3

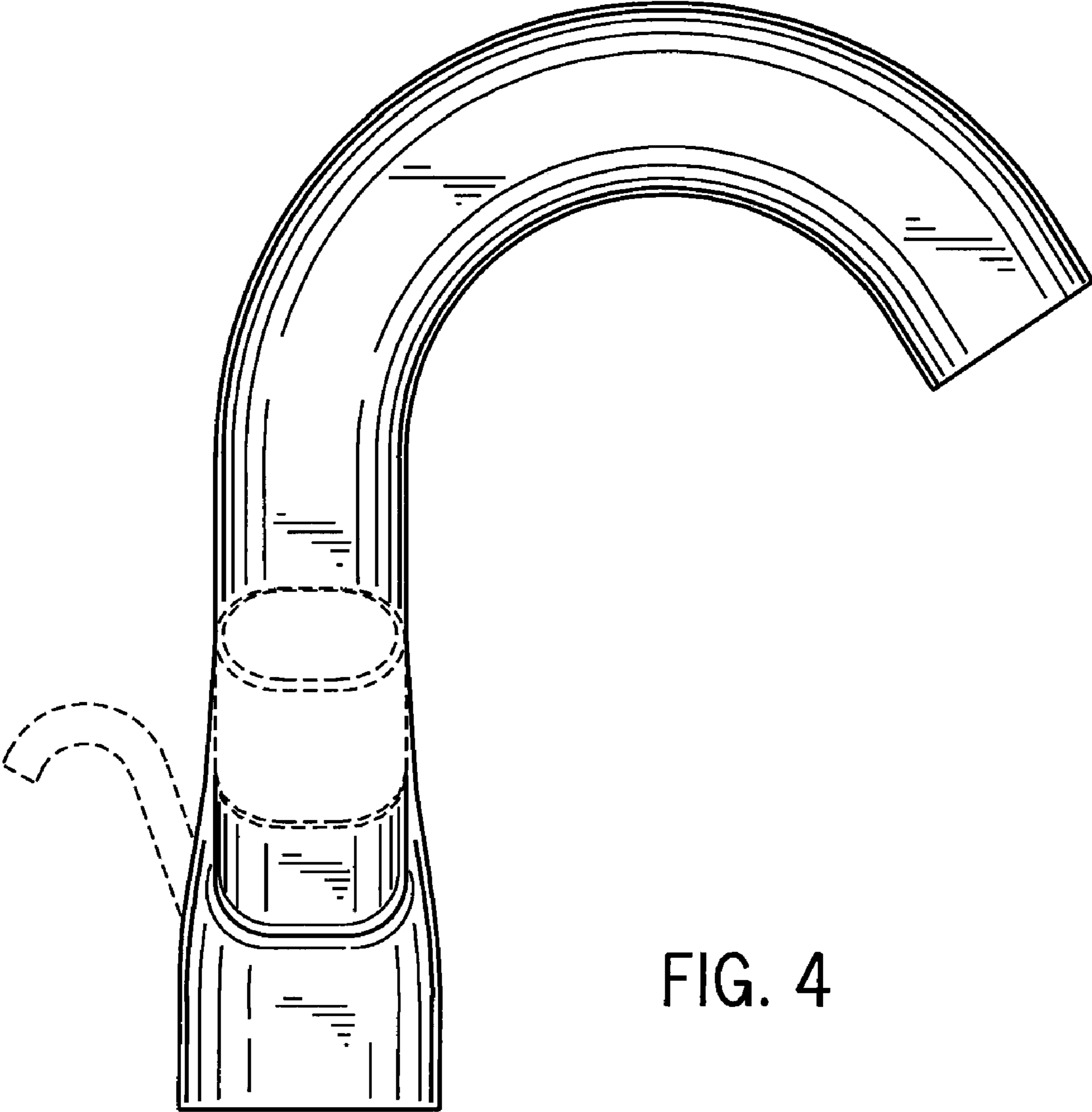


FIG. 4

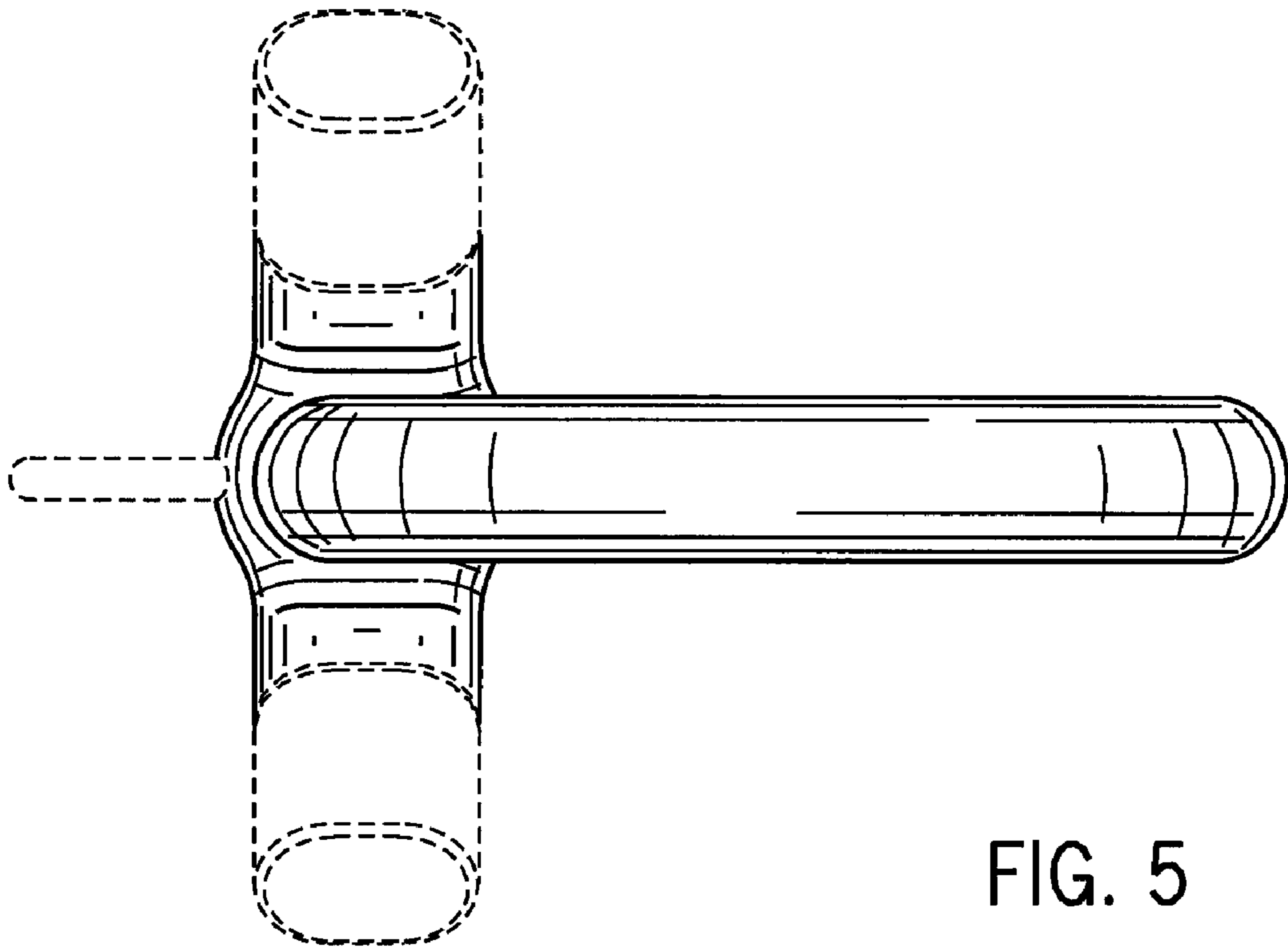


FIG. 5

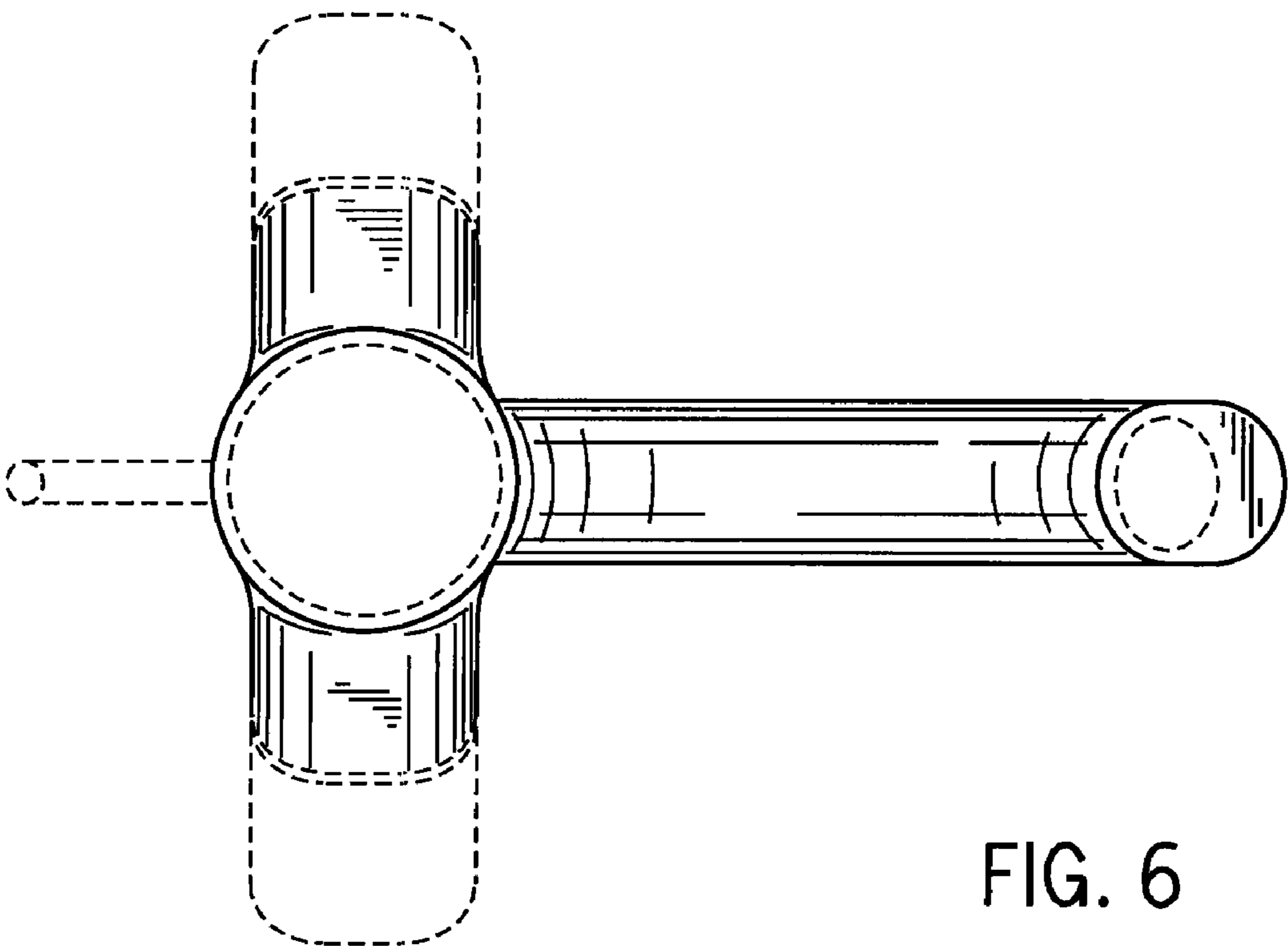


FIG. 6