



US00D589123S

(12) **United States Design Patent**  
**Soulier**

(10) **Patent No.:** **US D589,123 S**  
(45) **Date of Patent:** **\*\* Mar. 24, 2009**

(54) **SPOUT**

(75) Inventor: **Jean-Hugues Soulier**, Paris (FR)

(73) Assignee: **Kohler France SAS**, Paris (FR)

(\*\*) Term: **14 Years**

(21) Appl. No.: **29/284,130**

(22) Filed: **Aug. 31, 2007**

(51) **LOC (9) Cl.** ..... **23-01**

(52) **U.S. Cl.** ..... **D23/255**

(58) **Field of Classification Search** ..... D23/238–243,  
D23/255–257; 4/675–678; 137/801; D8/300,  
D8/307–308, 321; 16/110.1

See application file for complete search history.

(56) **References Cited**

**U.S. PATENT DOCUMENTS**

D299,851 S	2/1989	Rademacher	
D373,179 S	8/1996	Sieger	
D466,982 S *	12/2002	Gerlach	D23/242
D468,410 S	1/2003	Hundley	
D525,346 S	7/2006	Kulig	
D540,916 S	4/2007	Toyohara	
D576,255 S *	9/2008	Nobili	D23/238
D581,018 S *	11/2008	Citterio	D23/241

**FOREIGN PATENT DOCUMENTS**

WO	DM057693	11/2001
WO	DM062669	3/2003

**OTHER PUBLICATIONS**

Kallista “Vir Stil Minimal”. Kallista online catalog. Copyright 2007 Kallista.  
Jacob Delafon. “GINKO lavatory”. Model No. E72860. Jacob Delafon online catalog. Date located Jun. 22, 2007.

(Continued)

*Primary Examiner*—Robert A Delehanty  
(74) *Attorney, Agent, or Firm*—Quarles & Brady LLP

(57) **CLAIM**

The ornamental design for a spout, as shown and described.

**DESCRIPTION**

In a preferred embodiment, the nature of this product is a spout for a faucet.

FIG. 1 is a left, top, front perspective view of a spout according to my new design;

FIG. 2 is a left side elevational view thereof, the right side elevational view thereof being a mirror image of the left side shown;

FIG. 3 is a front elevational view thereof;

FIG. 4 is a rear elevational view thereof;

FIG. 5 is a top plan view thereof;

FIG. 6 is a bottom plan view thereof;

FIG. 7 is a left, top, front perspective view of a spout according to another embodiment of my new design;

FIG. 8 is a left side elevational view thereof, the right side elevational view thereof being a mirror image of the left side shown;

FIG. 9 is a front elevational view thereof;

FIG. 10 is a rear elevational view thereof;

FIG. 11 is a top plan view thereof;

FIG. 12 is a bottom plan view thereof;

FIG. 13 is a left, top, front perspective view of a spout according to another embodiment of my new design;

FIG. 14 is a left side elevational view thereof, the right side elevational view thereof being a mirror image of the left side shown;

FIG. 15 is a front elevational view thereof;

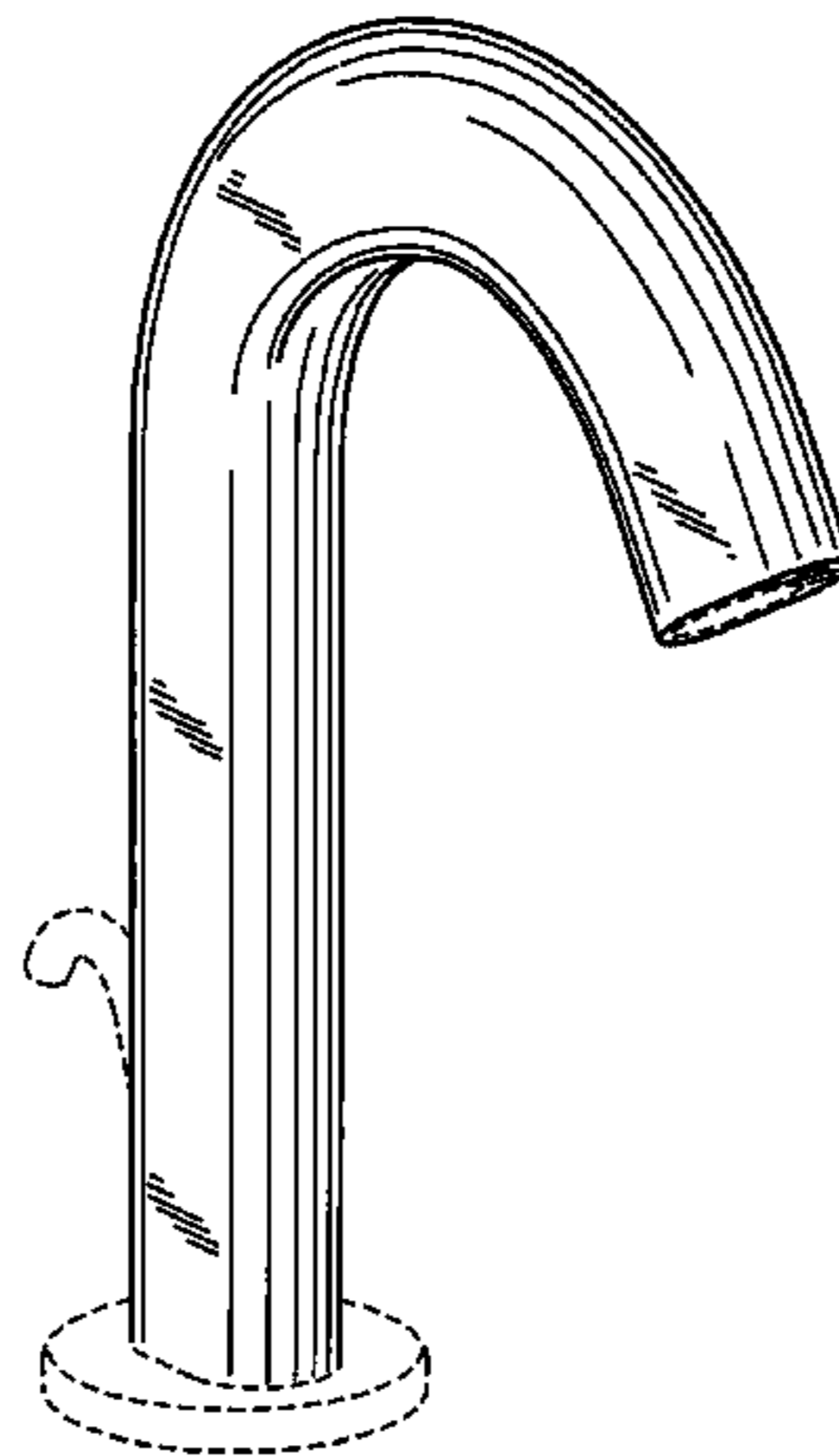
FIG. 16 is a rear elevational view thereof;

FIG. 17 is a top plan view thereof; and,

FIG. 18 is a bottom plan view thereof.

The broken line representations in the figures, including broken line representations of a spout opening, pull-up structure and escutcheon environment, are for the purpose of illustration only, and form no part of the claimed design.

**1 Claim, 12 Drawing Sheets**



OTHER PUBLICATIONS

FIMA (Carlo Frattini) Rubinetterie "Extra". Model 5261.  
FIMA (Carlo Frattini) Rubinetterie online catalog. Earliest date known Dec. 17, 2004.  
FIMA (Carlo Frattini) Rubinetterie. "Extra". Model 5281.  
FIMA (Carlo Frattini) Rubinetterie online catalog. Earliest date known Dec. 17, 2004.

FIMA (Carlo Frattini) Rubinetterie. "Maxima". Model 5311.  
FIMA (Carlo Frattini) Rubinetterie online catalog. Earliest date known Dec. 17, 2004.  
FIMA (Carlo Frattini) Rubinetterie. "Maxima". Model 5331.  
FIMA (Carlo Frattini) Rubinetterie online catalog. Earliest date known Dec. 17, 2004.

\* cited by examiner

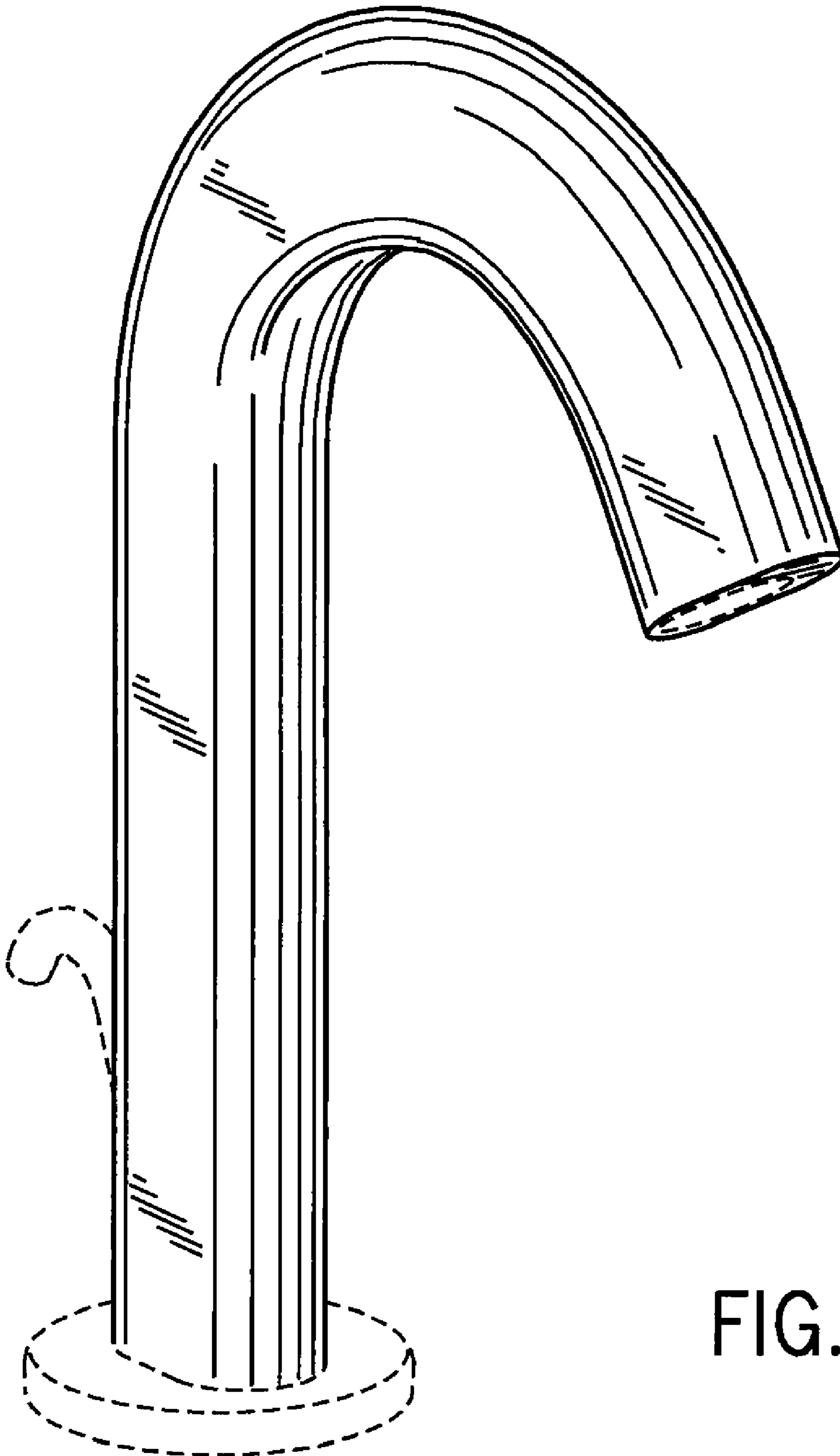


FIG. 1

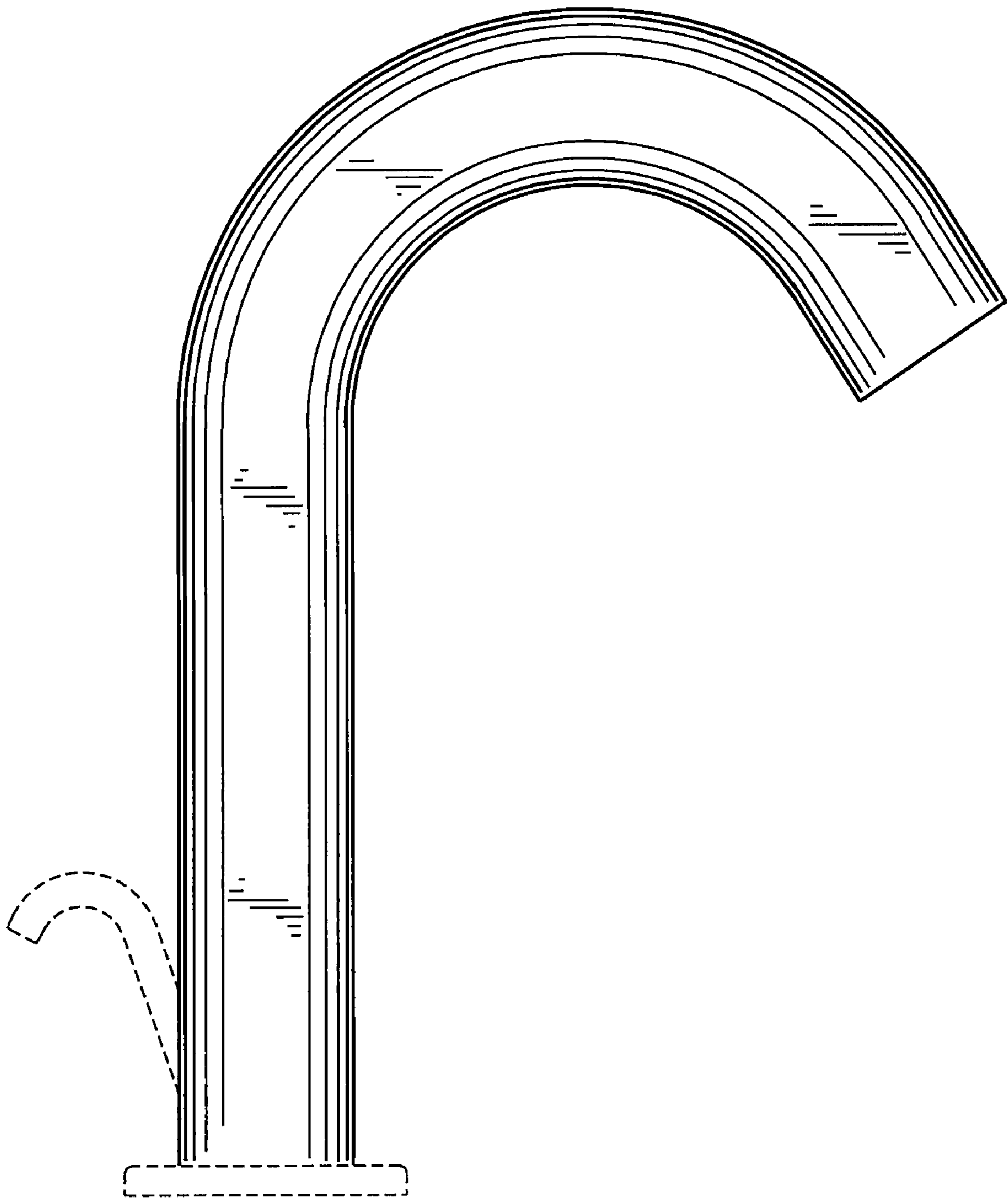


FIG. 2

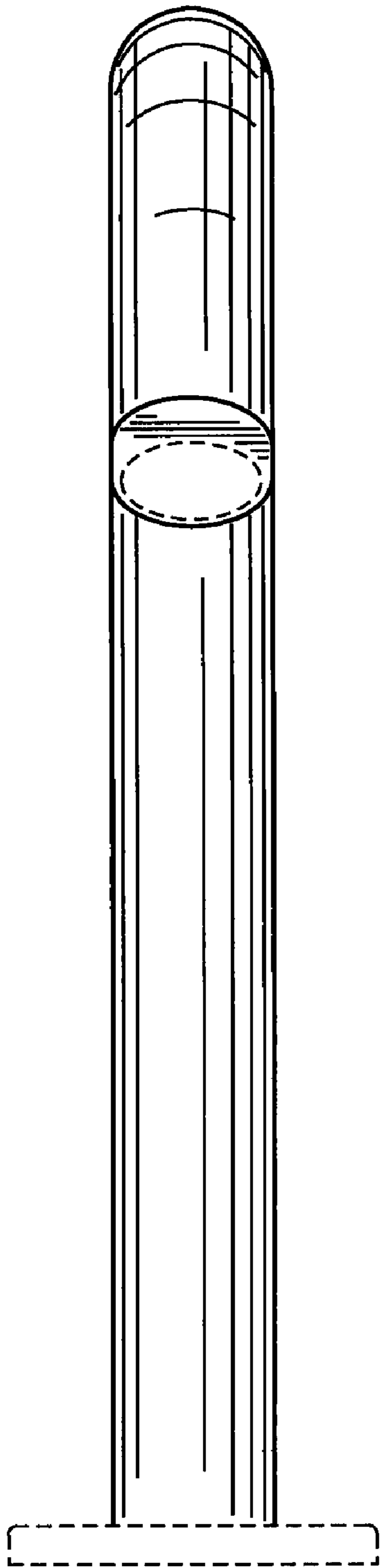


FIG. 3

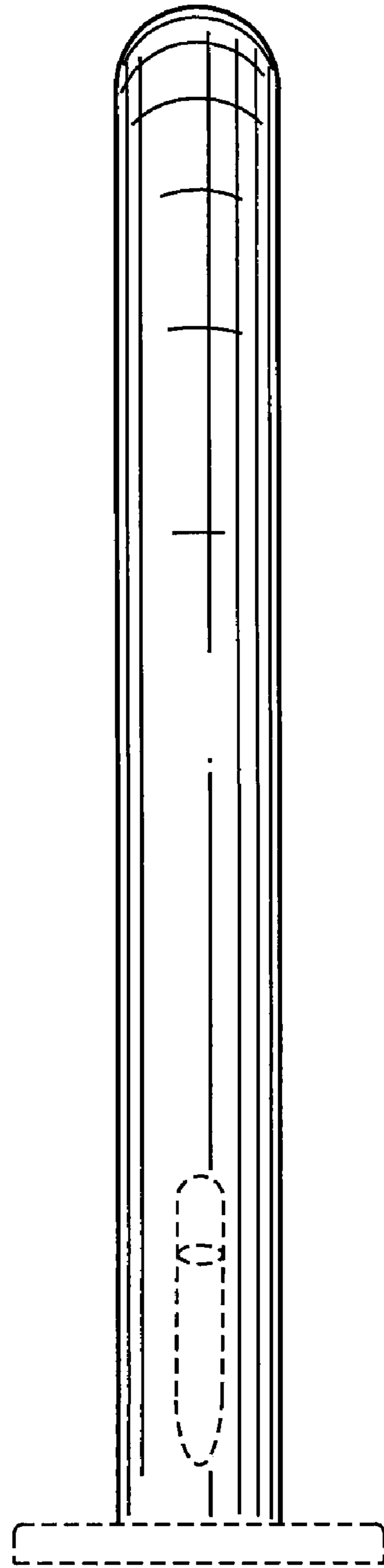


FIG. 4

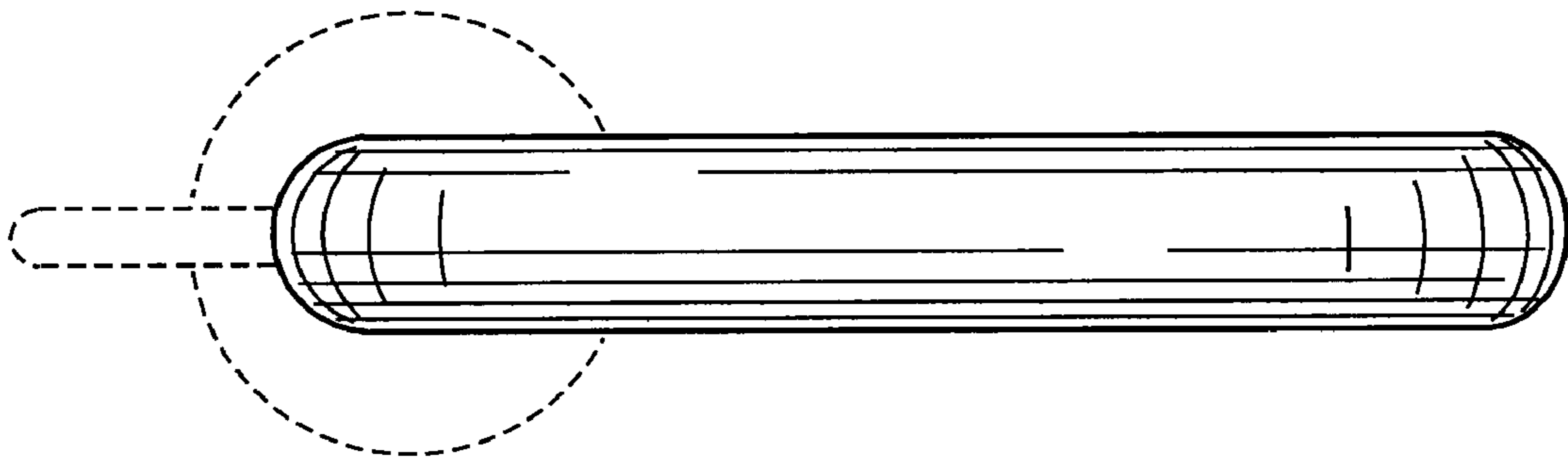


FIG. 5

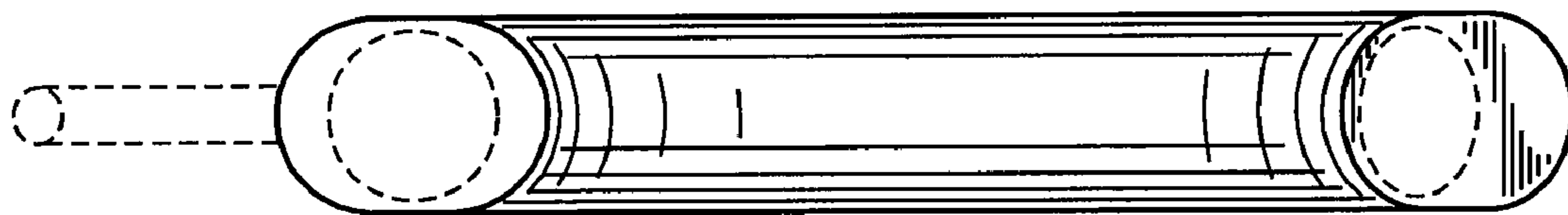


FIG. 6

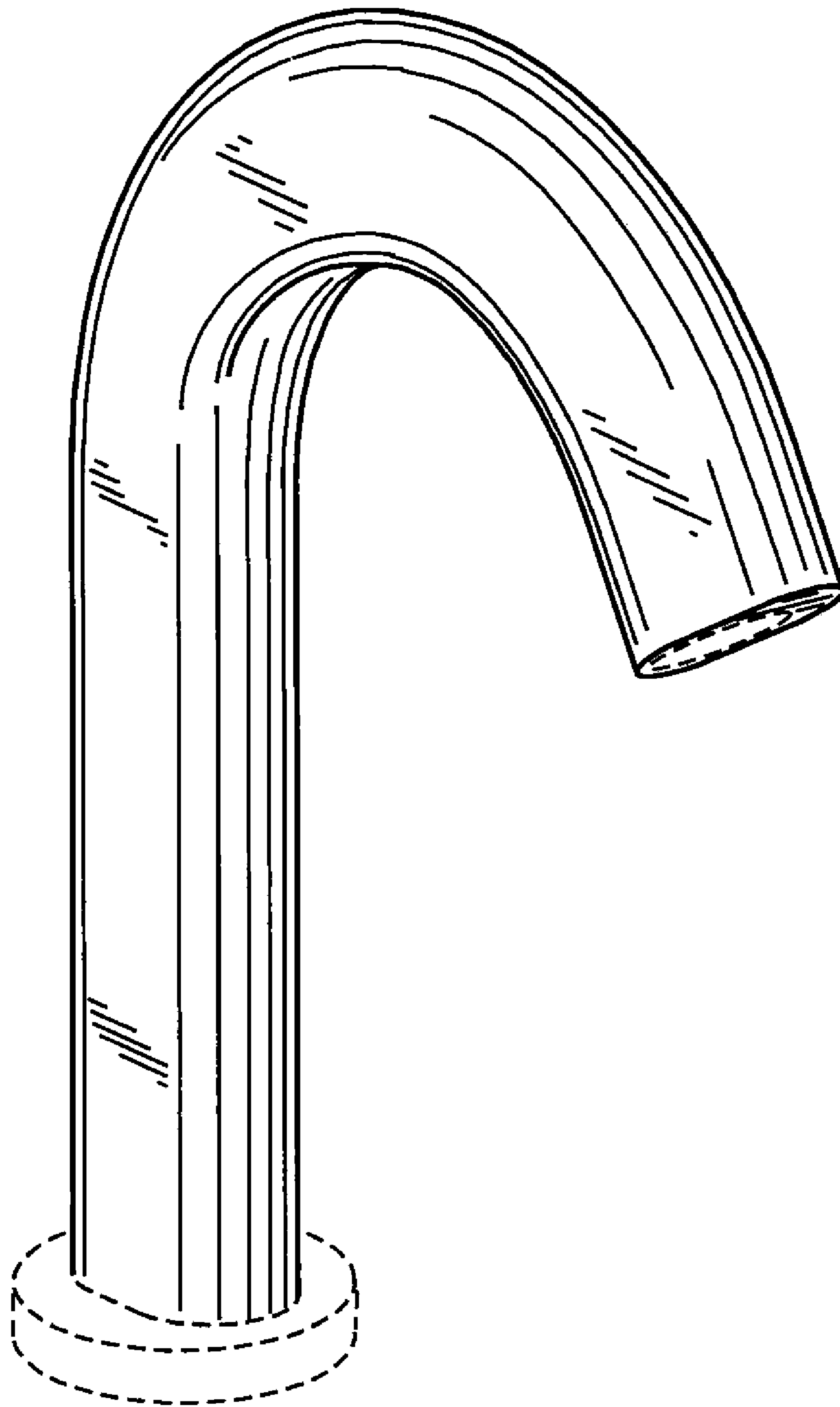


FIG. 7

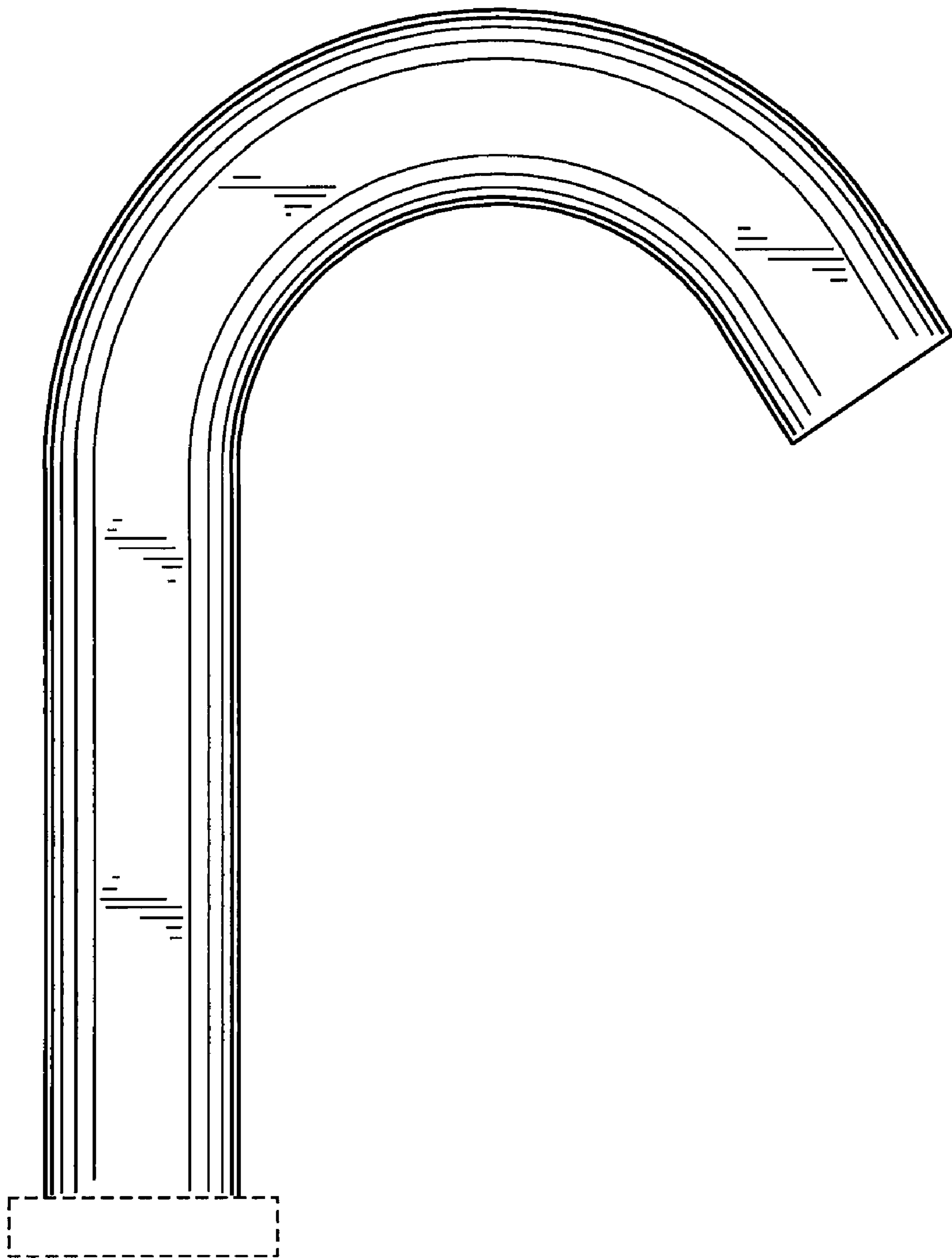


FIG. 8



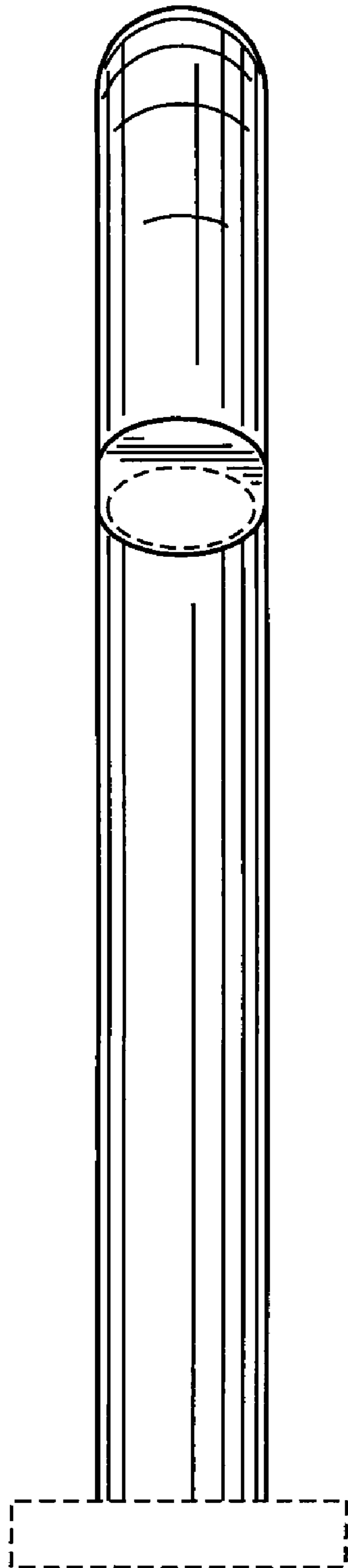


FIG. 9

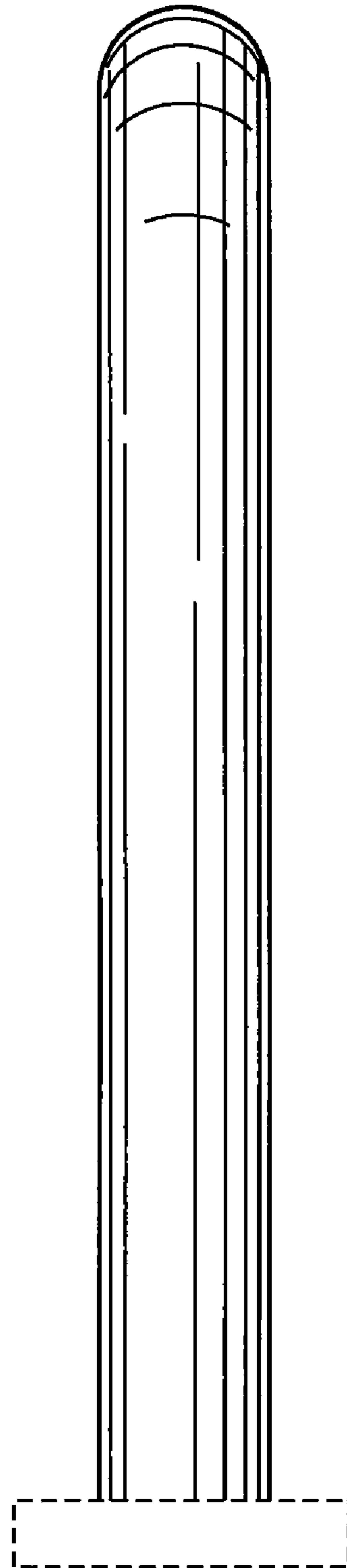


FIG. 10

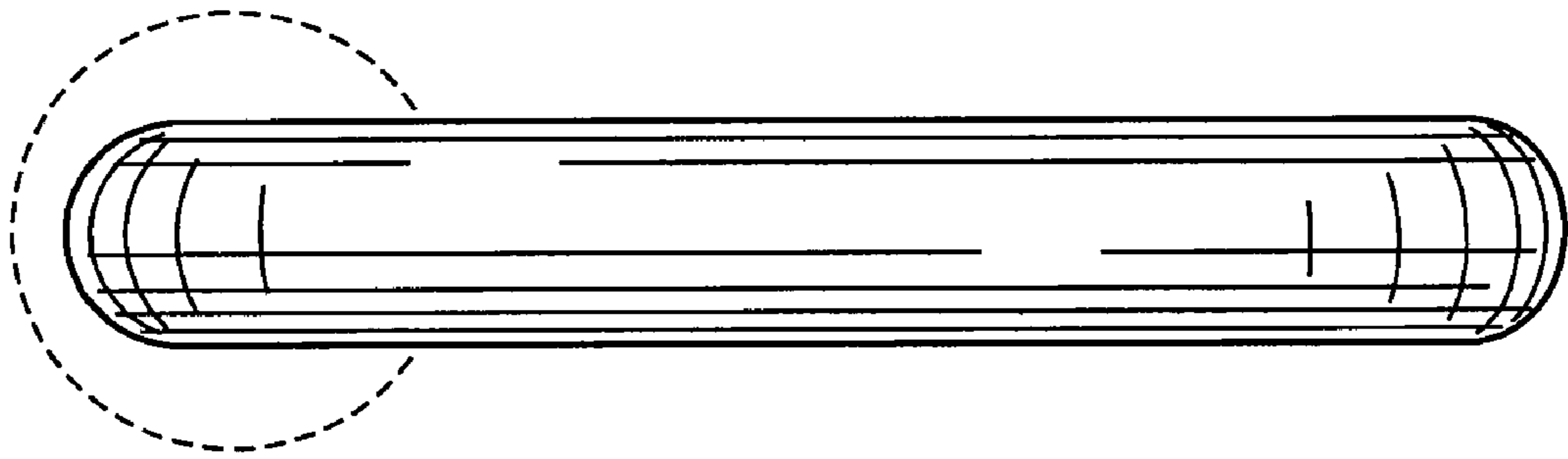


FIG. 11

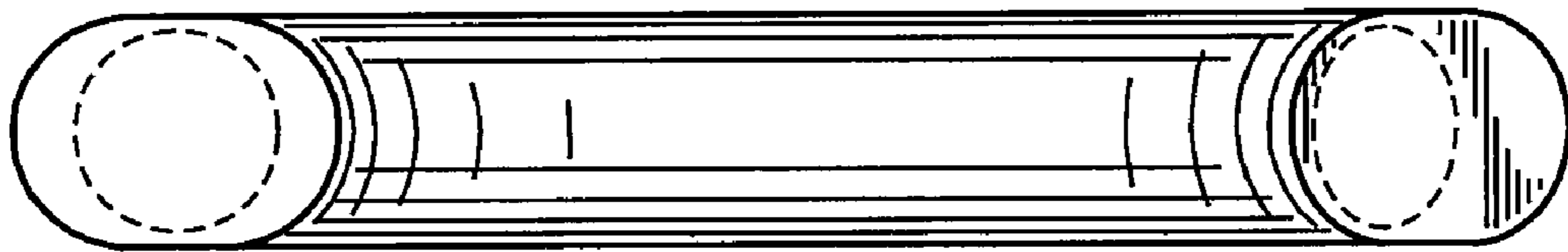


FIG. 12

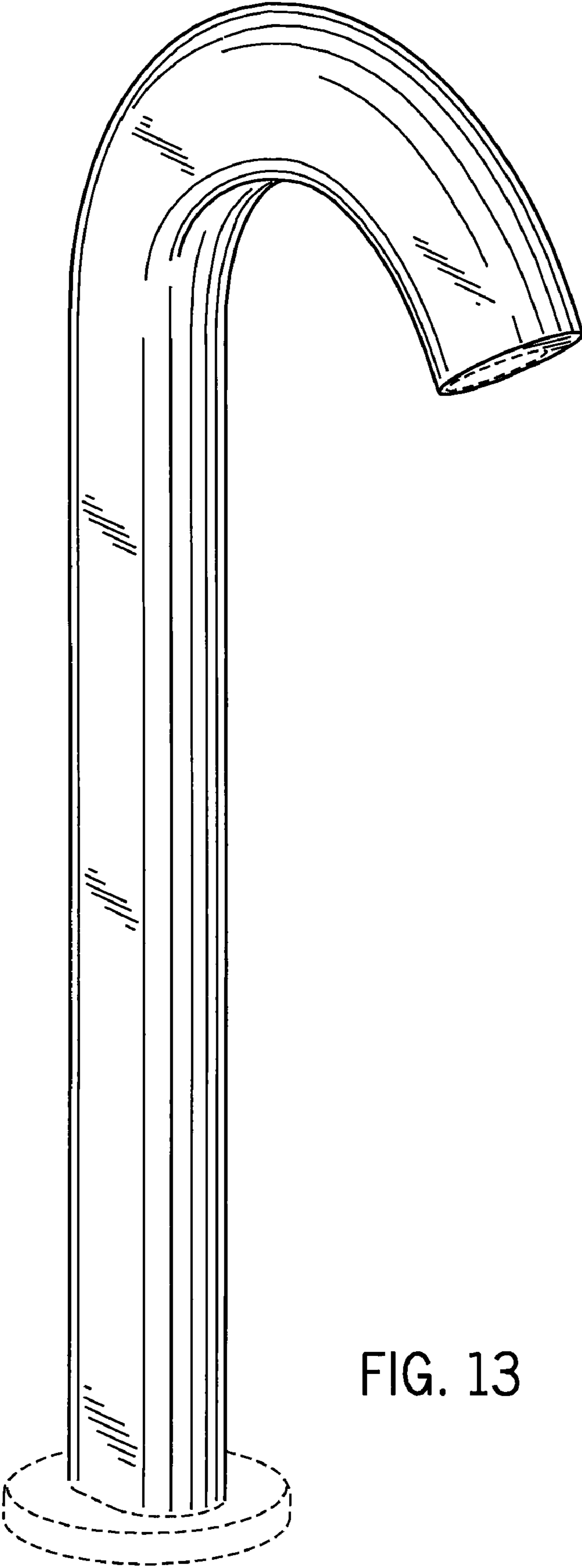


FIG. 13

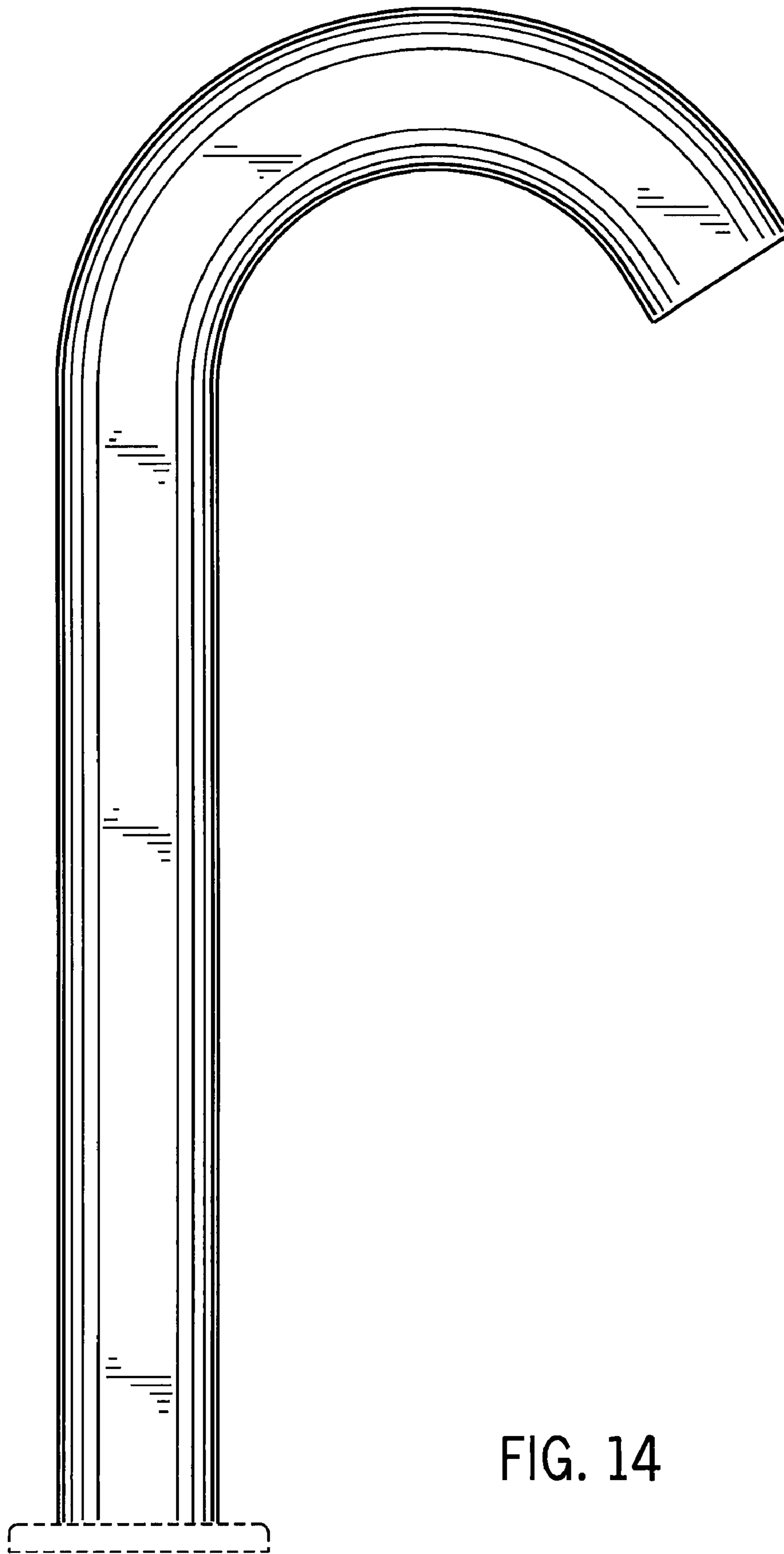


FIG. 14

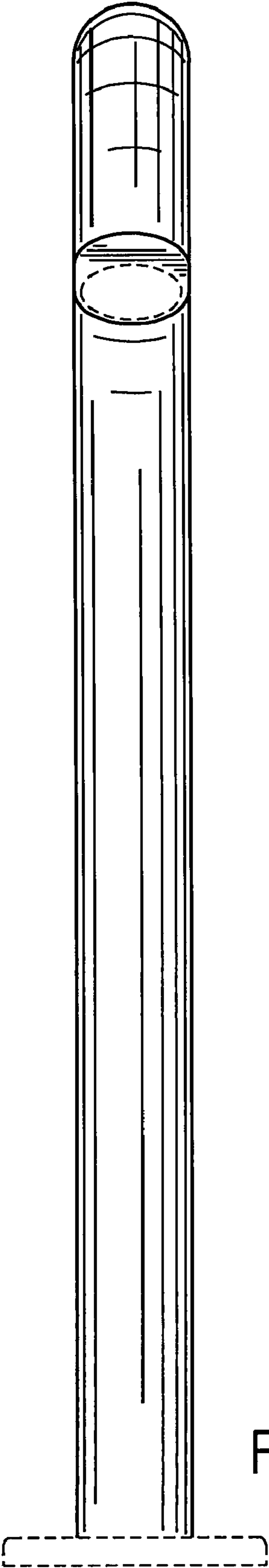


FIG. 15

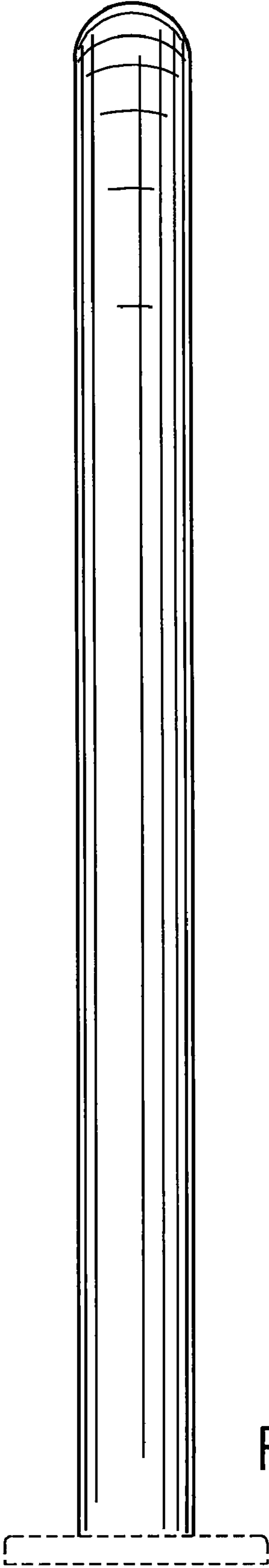


FIG. 16

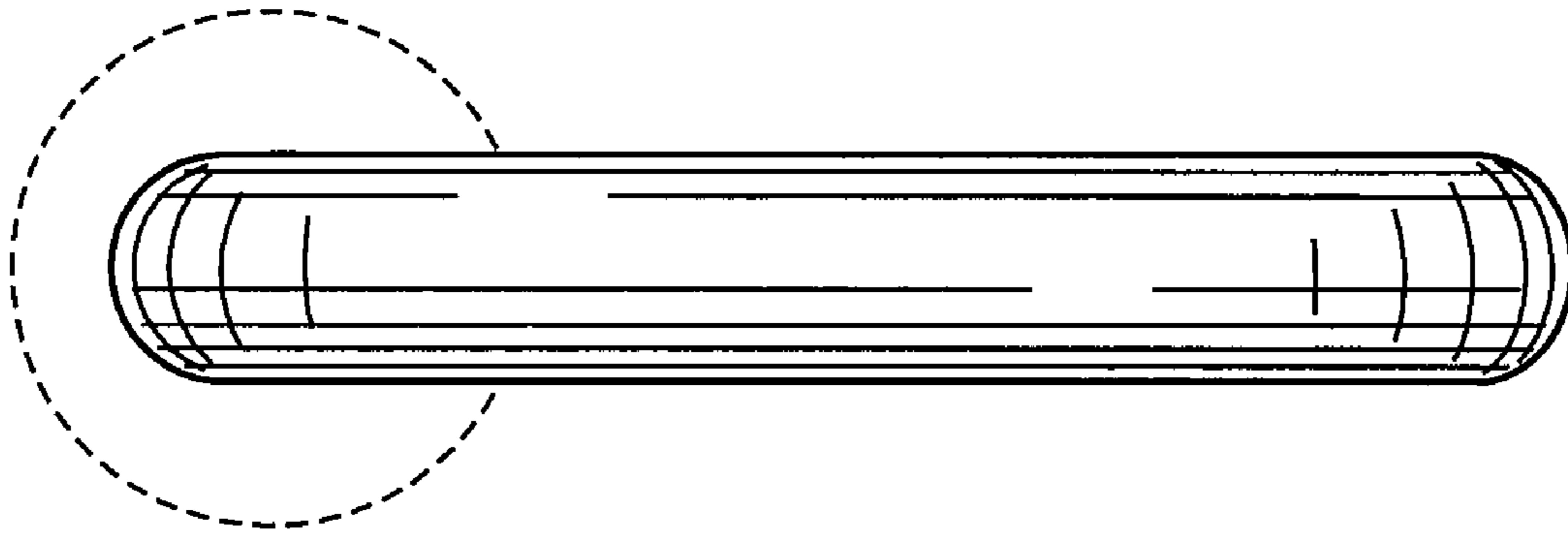


FIG. 17

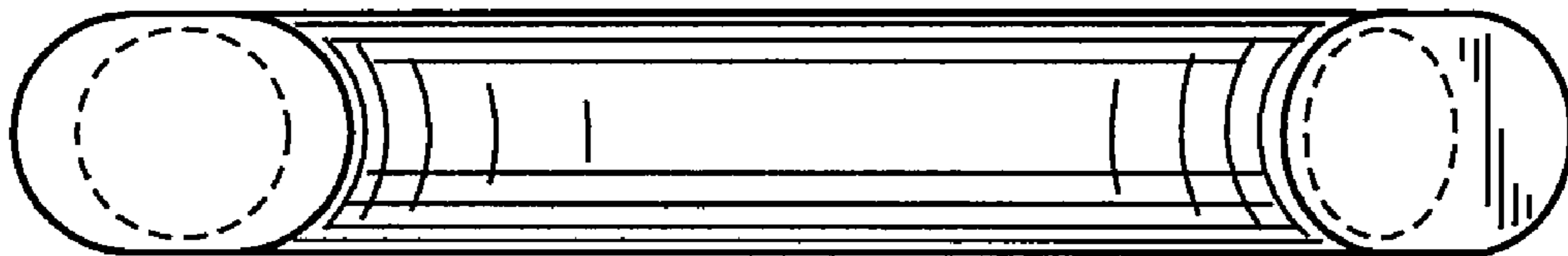


FIG. 18