



US00D589122S

(12) **United States Design Patent**  
**Lai**

(10) **Patent No.:** **US D589,122 S**  
(45) **Date of Patent:** **\*\* Mar. 24, 2009**

- (54) **SWITCH HANDLE OF A VALVE**
- (75) Inventor: **Hung-Lin Lai**, Changhua Hsien (TW)
- (73) Assignee: **Wen Sheng Fu Co., Ltd.**, Changhua Hsien (TW)
- (\*\*) Term: **14 Years**
- (21) Appl. No.: **29/295,270**
- (22) Filed: **Sep. 25, 2007**

- (51) **LOC (9) Cl.** ..... **23-01**
- (52) **U.S. Cl.** ..... **D23/250**
- (58) **Field of Classification Search** ..... D23/238,  
D23/241-242, 243, 245, 252, 255, 249, 250,  
D23/254, 233; 4/675-678; 137/615, 801;  
D8/307-308; 16/110.1  
See application file for complete search history.

(56) **References Cited**

**U.S. PATENT DOCUMENTS**

- D300,902 S \* 5/1989 Kohler et al. .... D8/307
- D566,240 S \* 4/2008 Kohler et al. .... D23/250
- D568,447 S \* 5/2008 Lai ..... D23/250

\* cited by examiner

*Primary Examiner*—Robin V Webster  
(74) *Attorney, Agent, or Firm*—Alan Kamrath; Kamrath & Associates PA

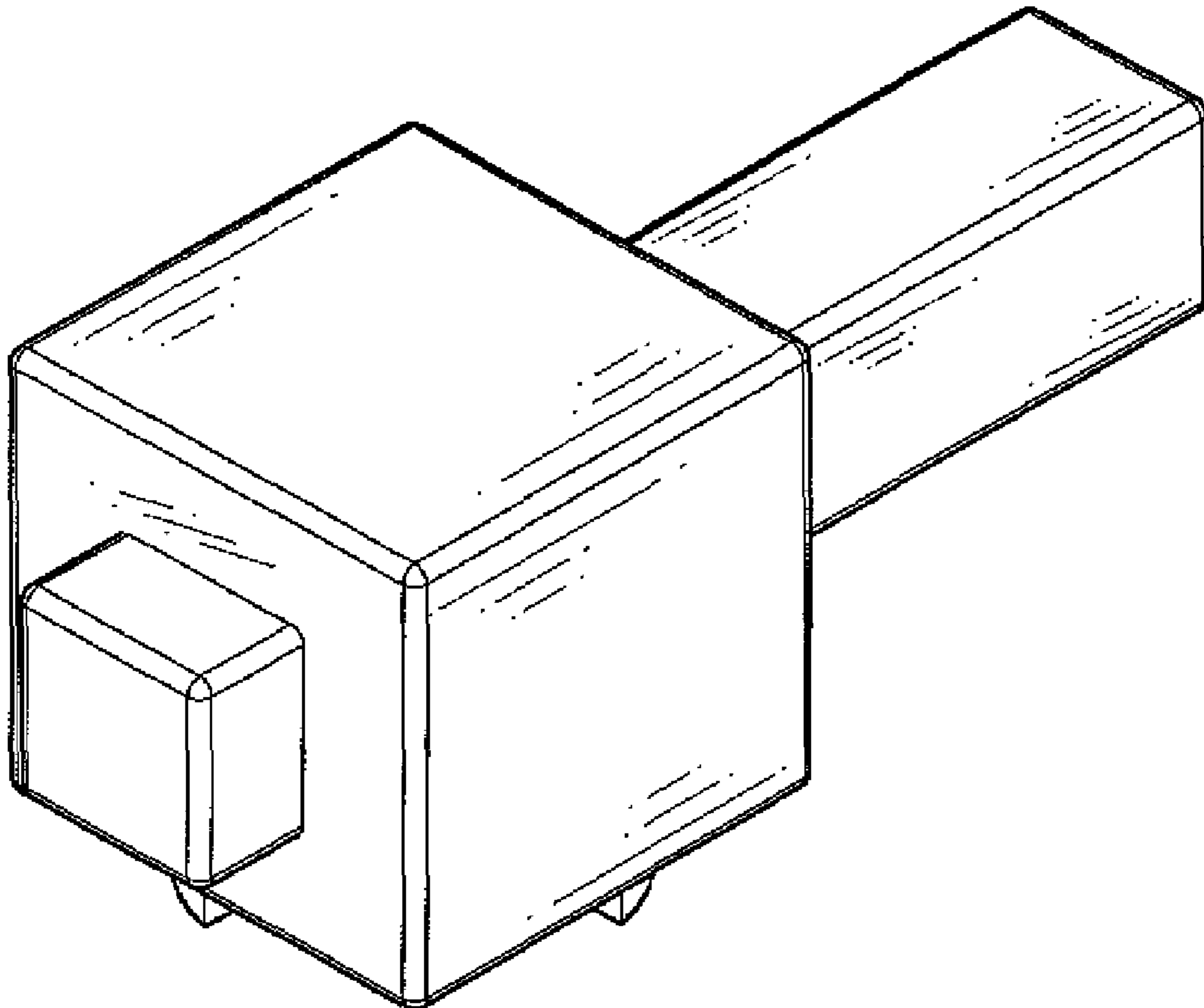
(57) **CLAIM**

The ornamental design for a switch handle of a valve, as shown and described.

**DESCRIPTION**

FIG. 1 is a perspective view of a switch handle of a valve showing my design;  
 FIG. 2 is a front elevational view thereof;  
 FIG. 3 is a rear elevational view thereof;  
 FIG. 4 is a left side elevational view thereof;  
 FIG. 5 is a right side elevational view thereof;  
 FIG. 6 is a top plan view thereof;  
 FIG. 7 is a bottom plan view thereof; and,  
 FIG. 8 is a schematic view illustrating an application of a switch handle of a valve showing my design. The broken lines shown in the drawings are for illustrative purposes only and form no part of the claimed design.

**1 Claim, 5 Drawing Sheets**



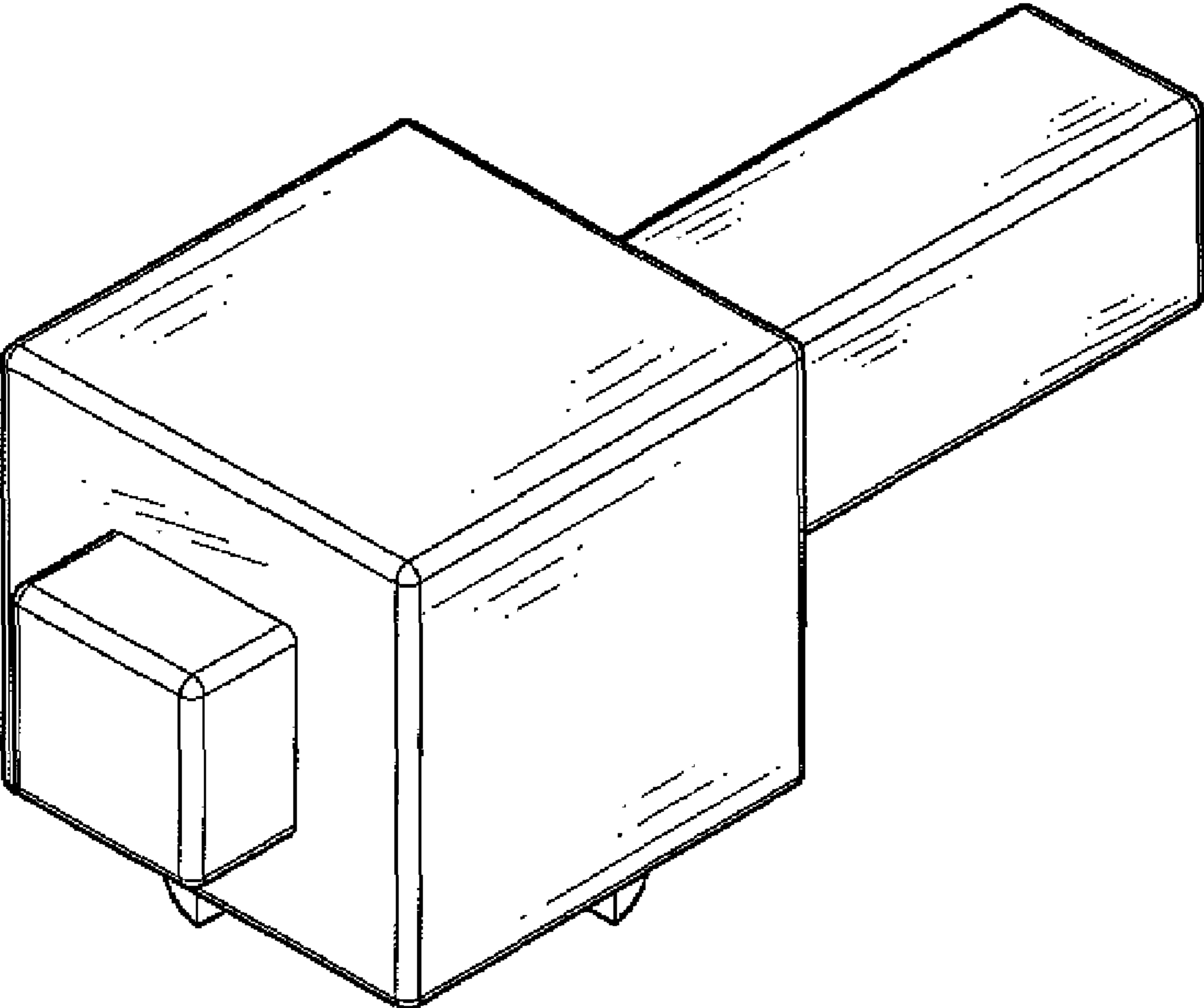


FIG. 1

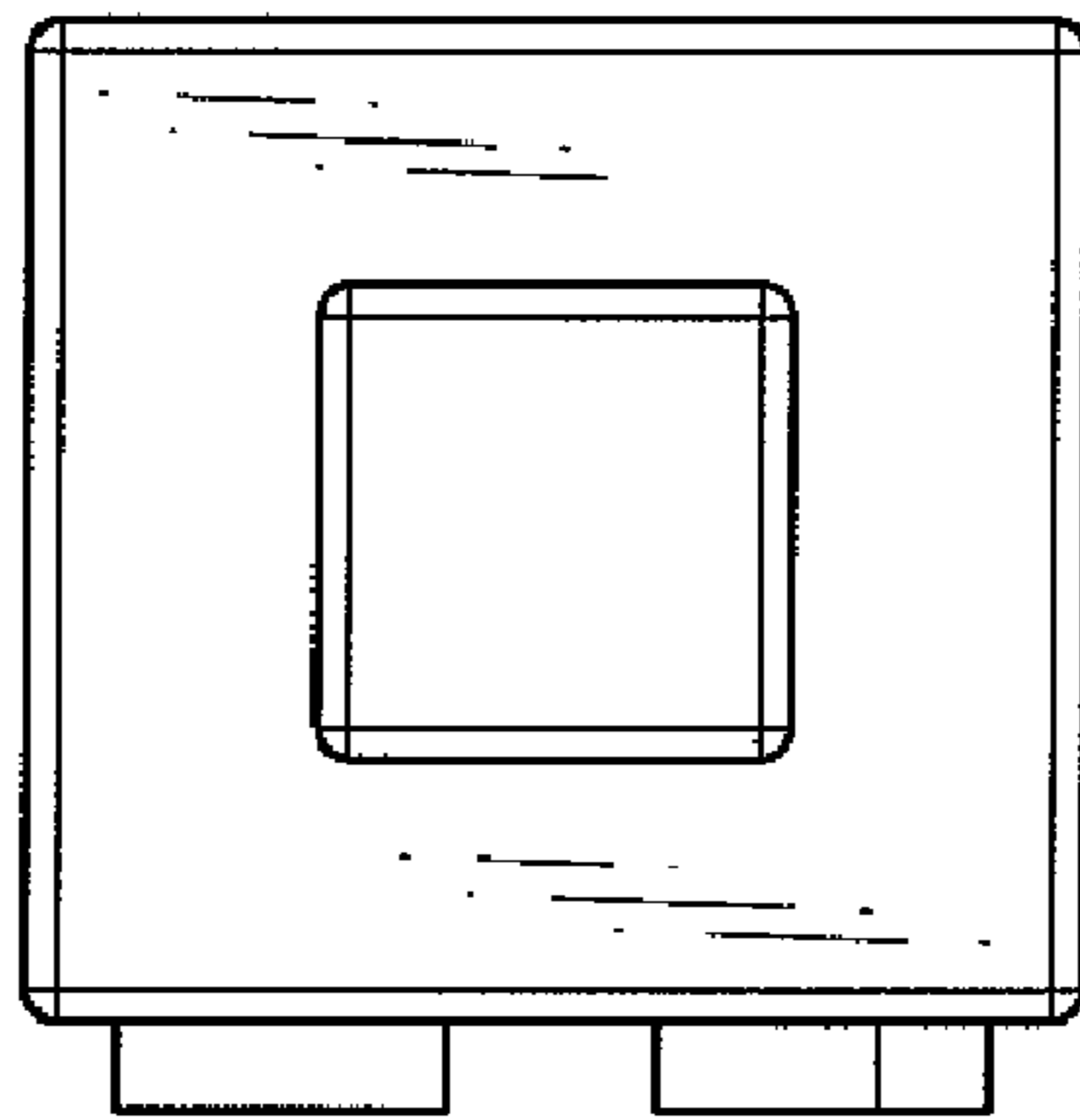


FIG. 2

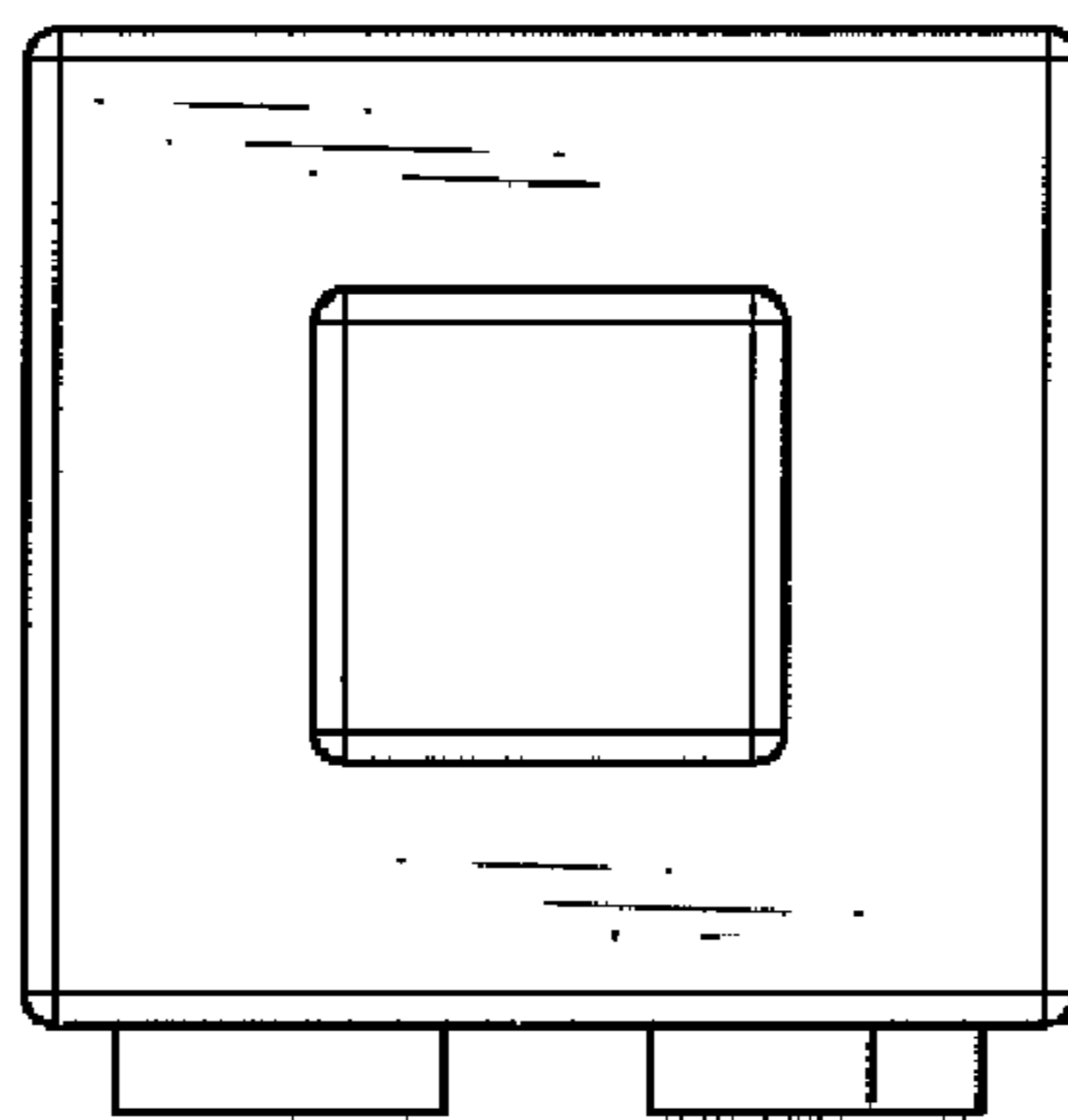


FIG. 3

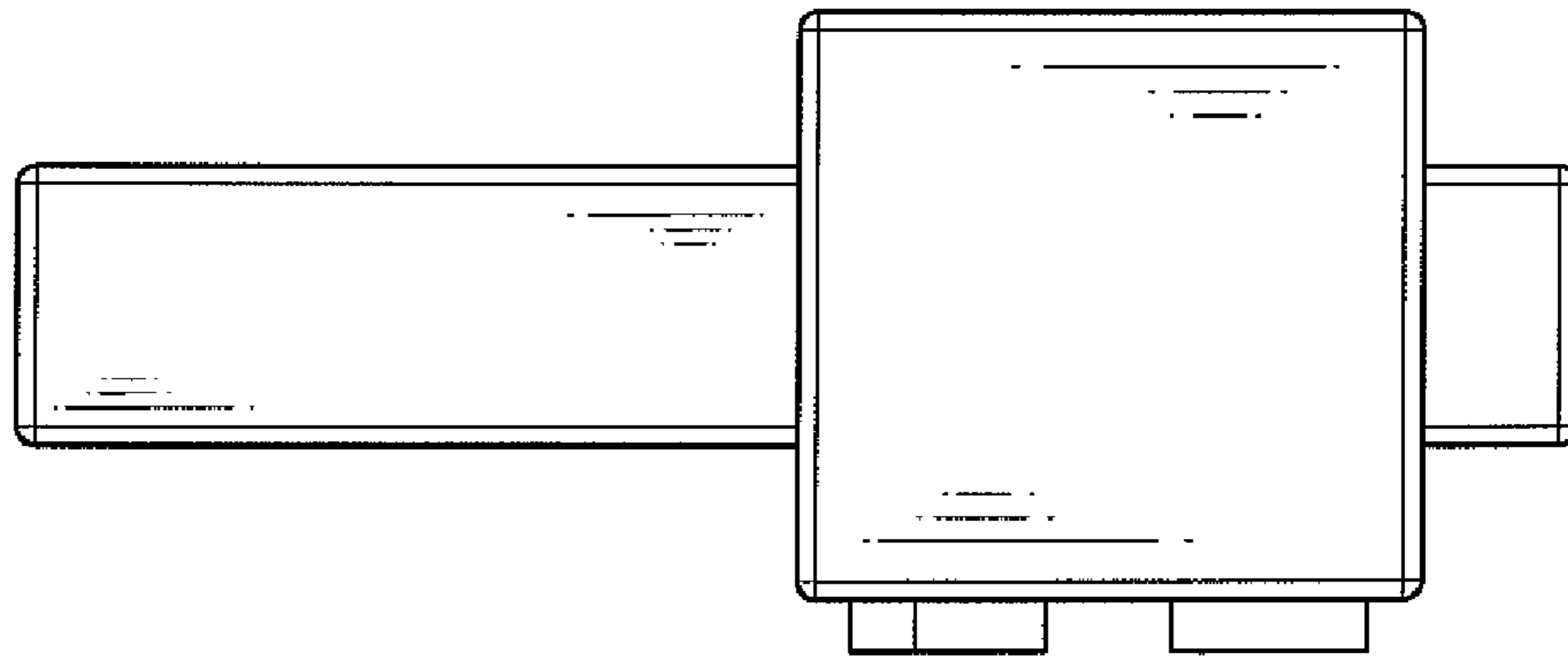


FIG. 4

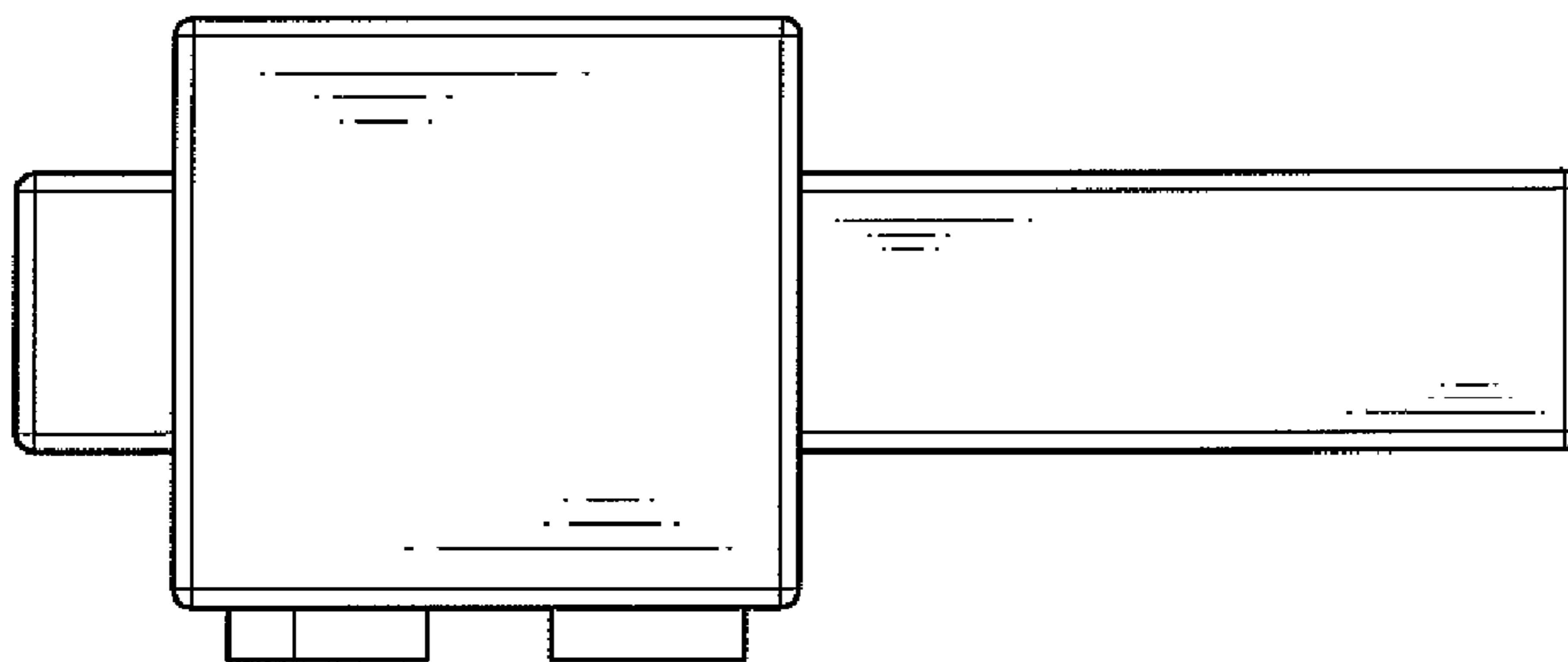


FIG. 5

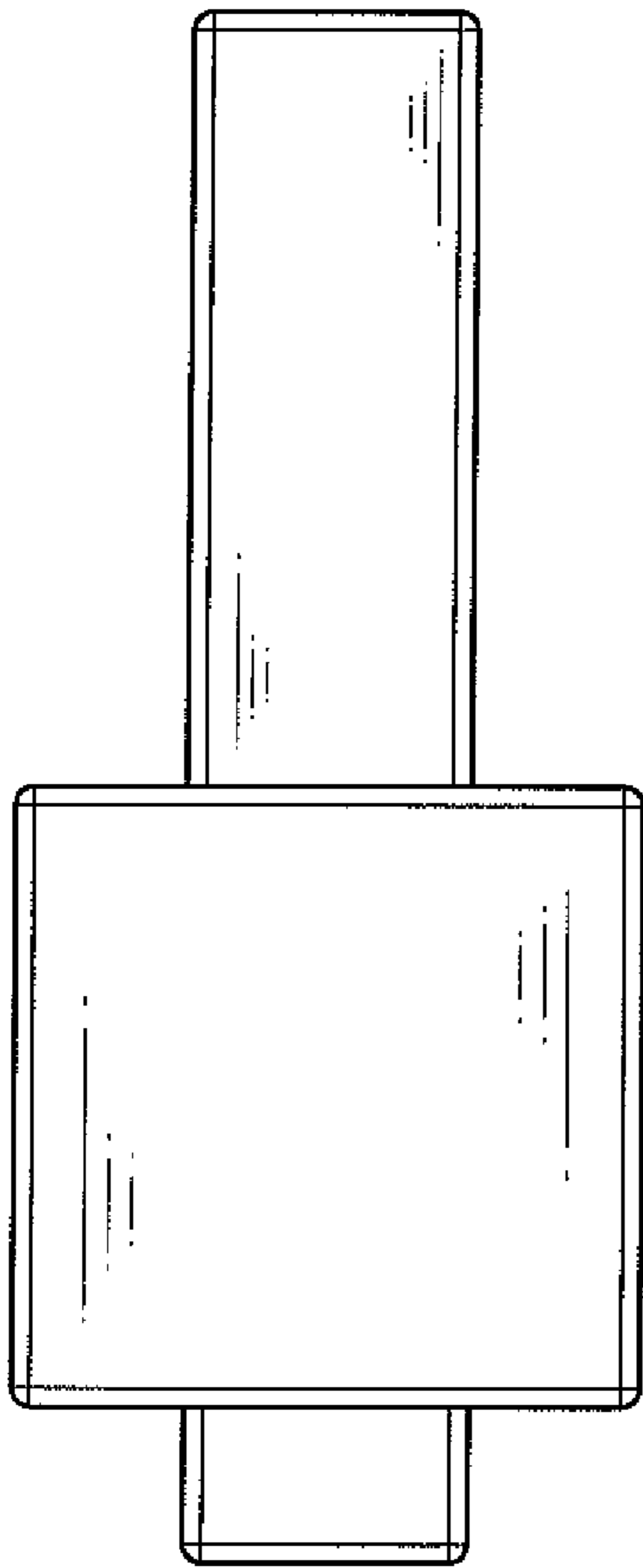


FIG. 6

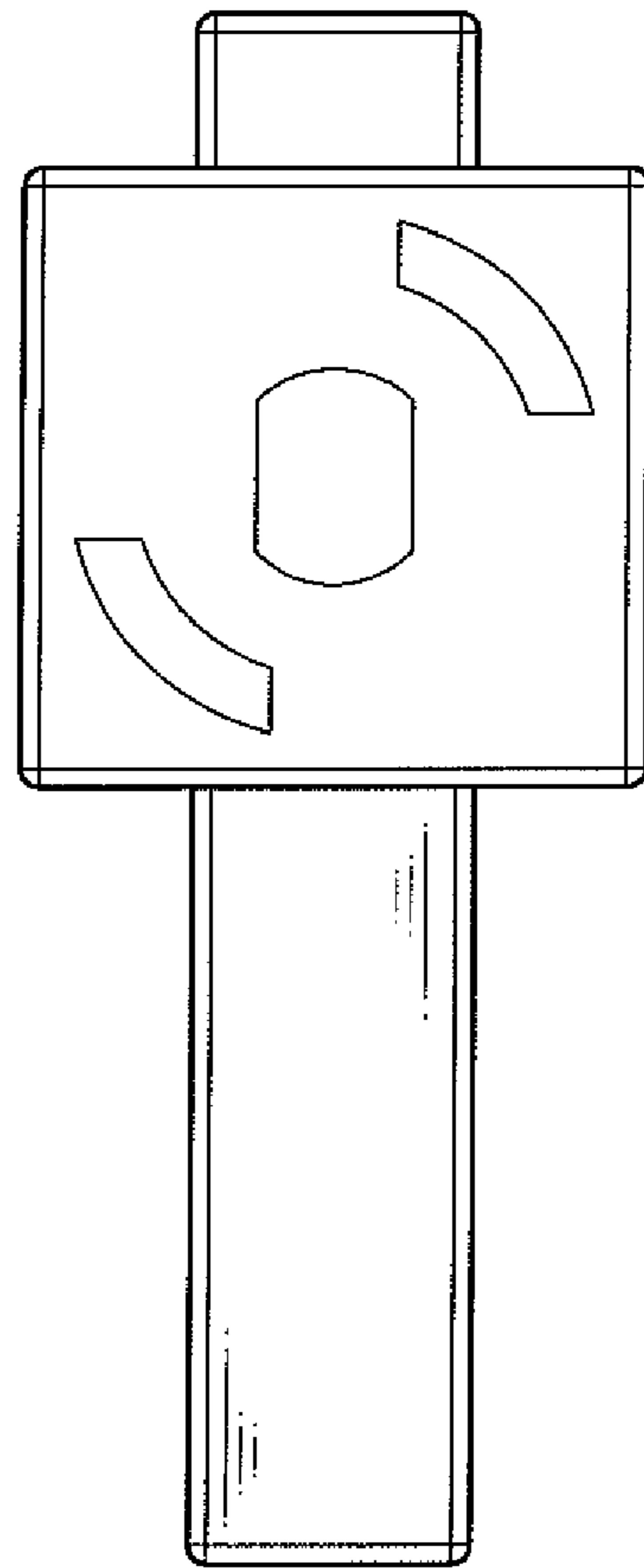


FIG. 7

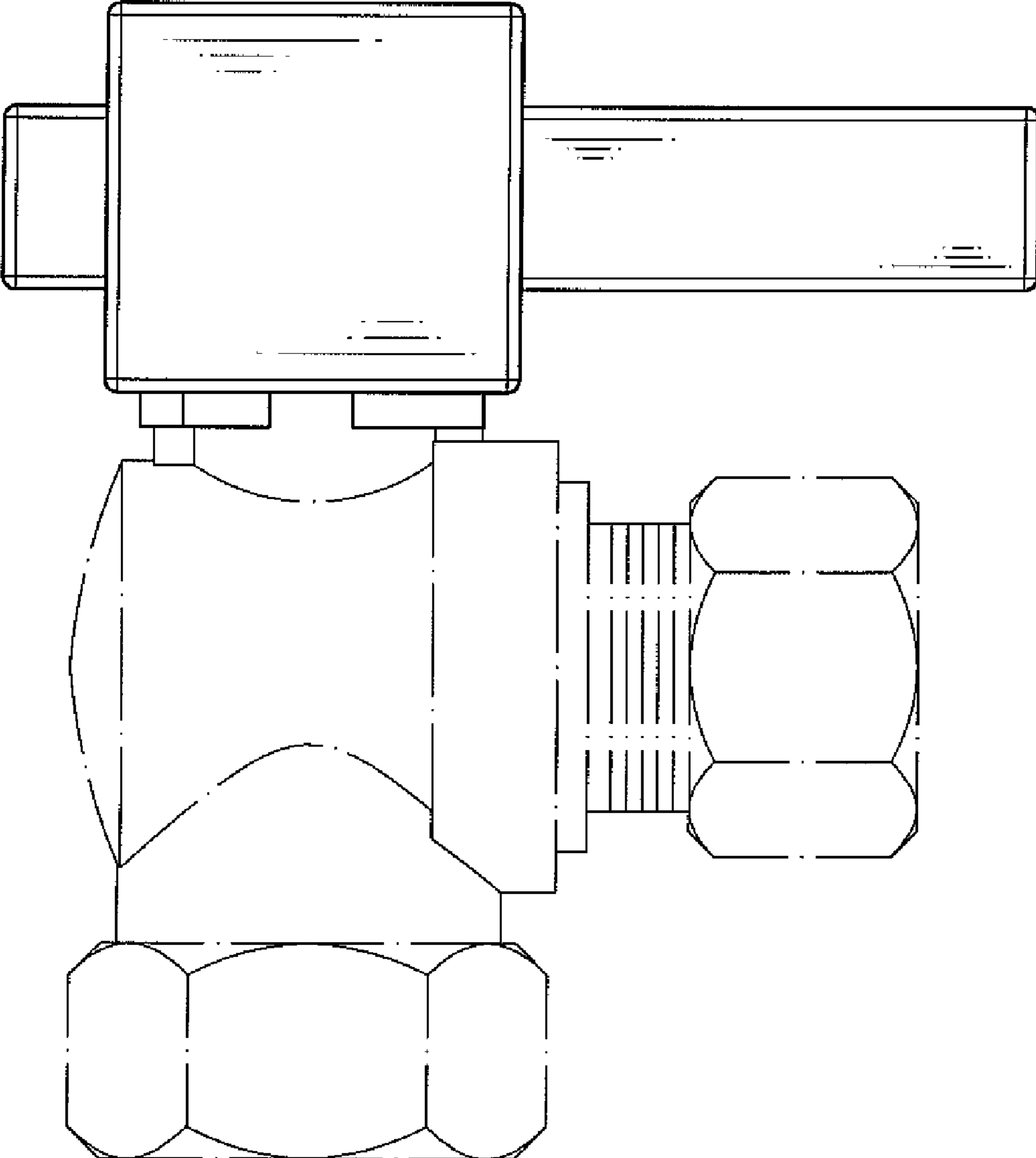


FIG. 8