



US00D589121S

(12) **United States Design Patent**
McKeone

(10) **Patent No.:** **US D589,121 S**
(45) **Date of Patent:** **** Mar. 24, 2009**

(54) **PLUMBING FITTING**

(75) Inventor: **William C. McKeone**, Sheboygan, WI (US)

(73) Assignee: **Kohler Co.**, Kohler, WI (US)

(**) Term: **14 Years**

(21) Appl. No.: **29/321,521**

(22) Filed: **Jul. 17, 2008**

Related U.S. Application Data

(62) Division of application No. 29/279,839, filed on May 8, 2007, now Pat. No. Des. 576,705.

(51) **LOC (9) Cl.** **23-01**

(52) **U.S. Cl.** **D23/238**

(58) **Field of Classification Search** D23/200, D23/238-257; D6/512, 546, 550; D8/300, D8/307-308, 310-312, 321; 4/675-678; 137/599.01, 615, 801; 16/110.1, 441
See application file for complete search history.

(56) **References Cited**

U.S. PATENT DOCUMENTS

1,510,761 A	10/1924	Burman	
1,838,290 A	12/1931	Steckel	
D312,118 S	11/1990	Son	
D464,711 S	10/2002	Warshawsky	
D492,393 S	6/2004	Herring et al.	
D497,197 S	10/2004	Warshawsky	
D534,992 S	1/2007	Lobermeier et al.	
D535,356 S	1/2007	Kuran et al.	
D540,435 S	4/2007	Wilcox et al.	
D551,324 S	9/2007	Wilcox et al.	
D560,762 S	1/2008	Eckhaus	
D562,947 S	2/2008	Zhang	
D576,705 S *	9/2008	McKeone D23/238

OTHER PUBLICATIONS

Kohler Co. Wall Mounted Pot Filler. Model No. K-7322-4.

Kohler Co. "Stillness Widespread Lavatory Faucet". Model No. K-942-4. Kohler Co. online catalog. Copyright 2007 Kohler Co.
Blanco. "Wall-Mounted Pot Filler". Model No. 157-065-CR—chrome or 157-065-ST—stainless steel. PlumbingSupply.com online catalog. Copyright since 1995 PlumbingSupply.com.

* cited by examiner

Primary Examiner—Robert A. Delehanty

Assistant Examiner—Mark Cavanna

(74) *Attorney, Agent, or Firm*—Quarles & Brady LLP

(57) **CLAIM**

The ornamental design for a plumbing fitting, as shown and described.

DESCRIPTION

In a preferred embodiment, the nature of this product is a plumbing fitting in the form of a body for a faucet such as a pot filler used to spray water into tall cookware.

FIG. 1 is a right, top, front perspective view of a plumbing fitting according to my new design;

FIG. 2 is a front elevational view thereof;

FIG. 3 is a right side elevational view thereof;

FIG. 4 is a left side elevational view thereof;

FIG. 5 is a top plan view thereof;

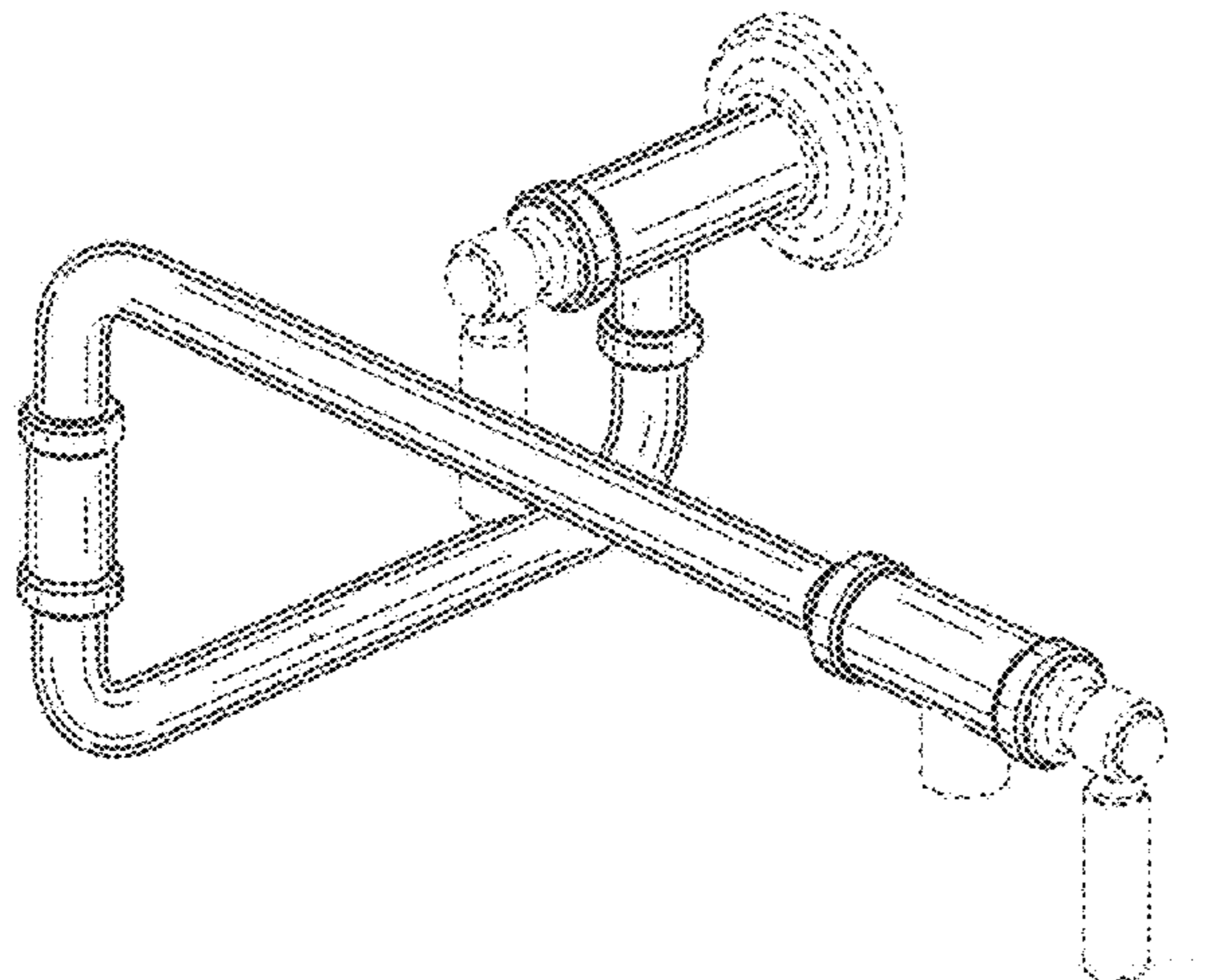
FIG. 6 is a bottom plan view thereof;

FIG. 7 is a rear elevational view thereof; and,

FIG. 8 is a left, top, front perspective view of a plumbing fitting according to another embodiment of my new design, the various views thereof being mirror images of the views shown in FIGS. 2-7.

The broken line representations in the figures, including broken line representations of handle and escutcheon environment, are for the purpose of illustration only, and form no part of the claimed design.

1 Claim, 5 Drawing Sheets



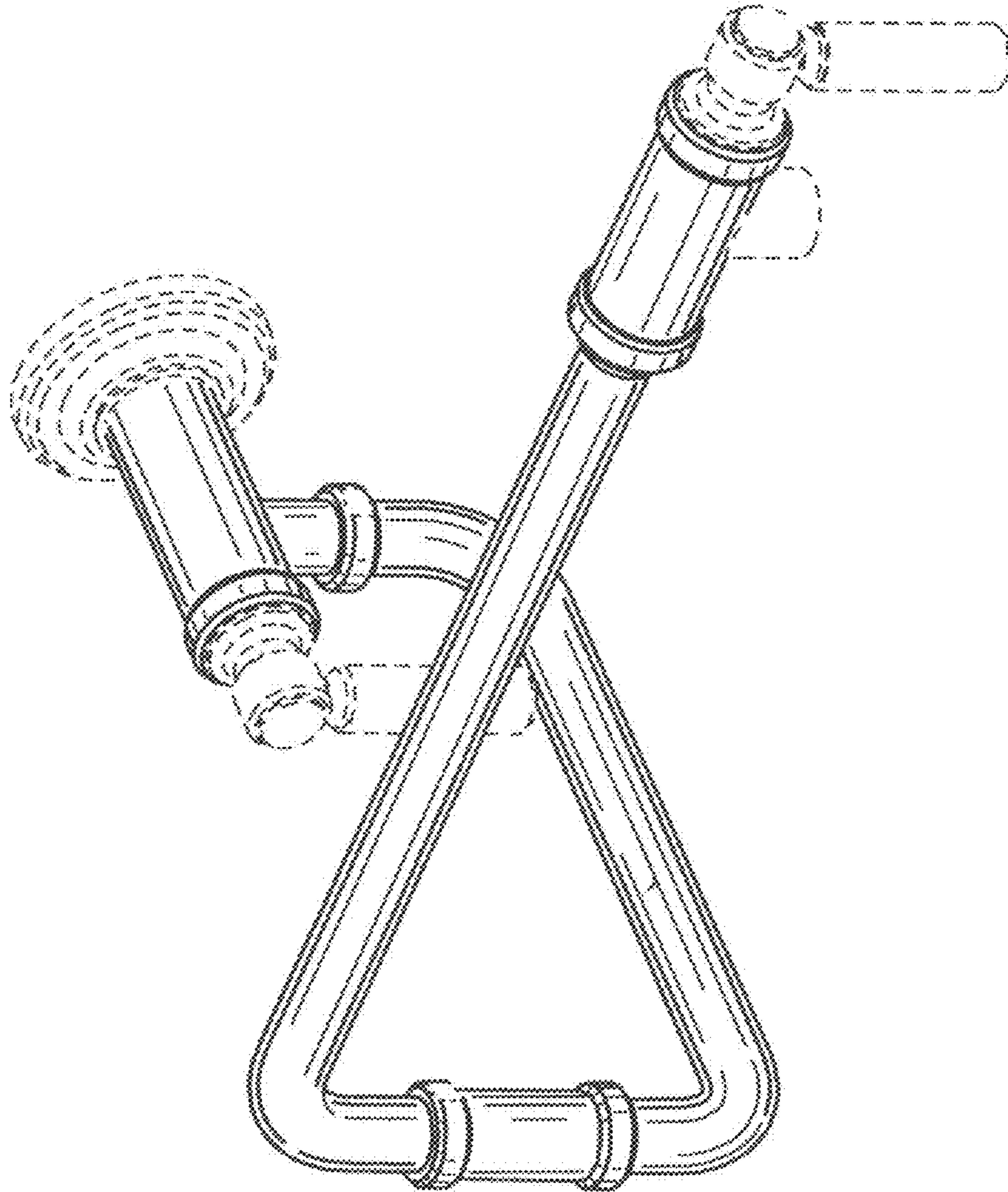
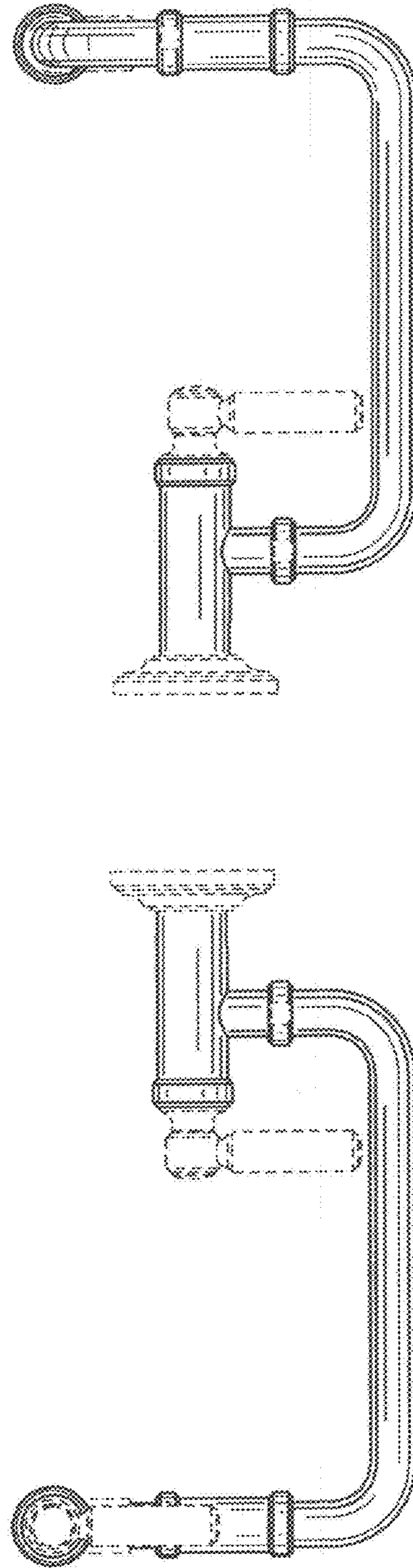
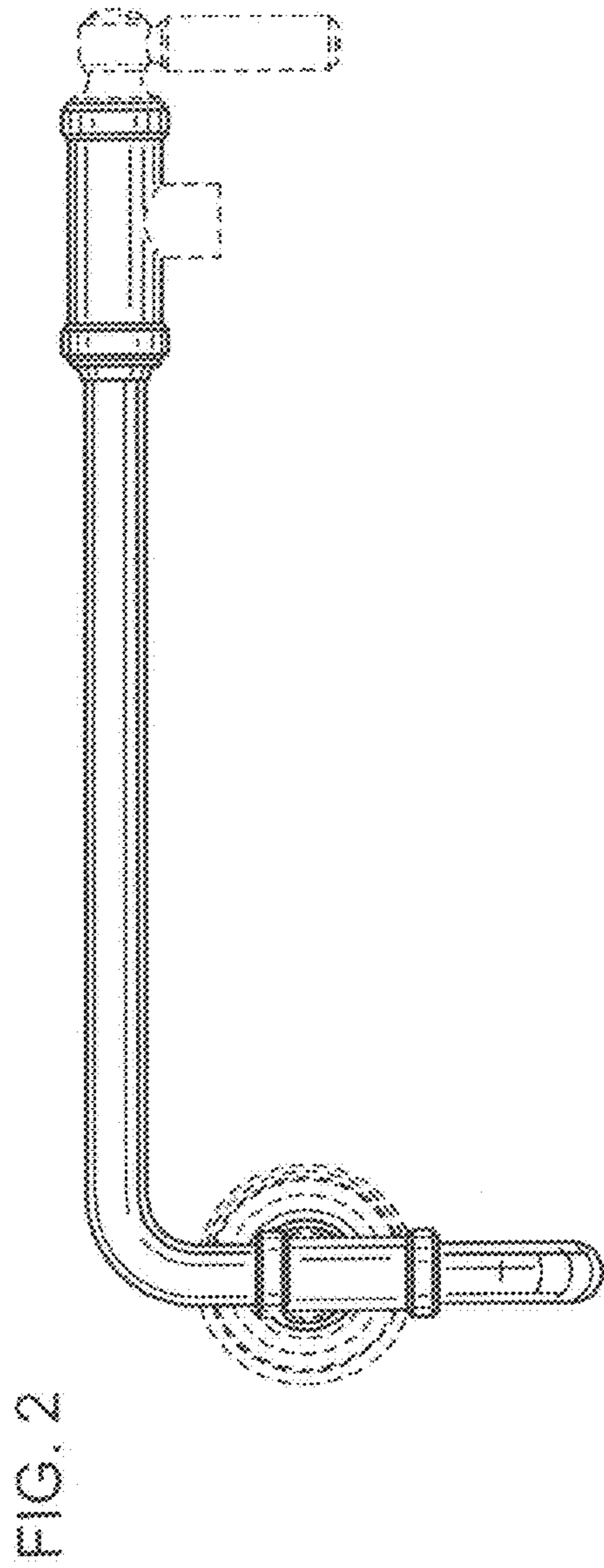


FIG. 1



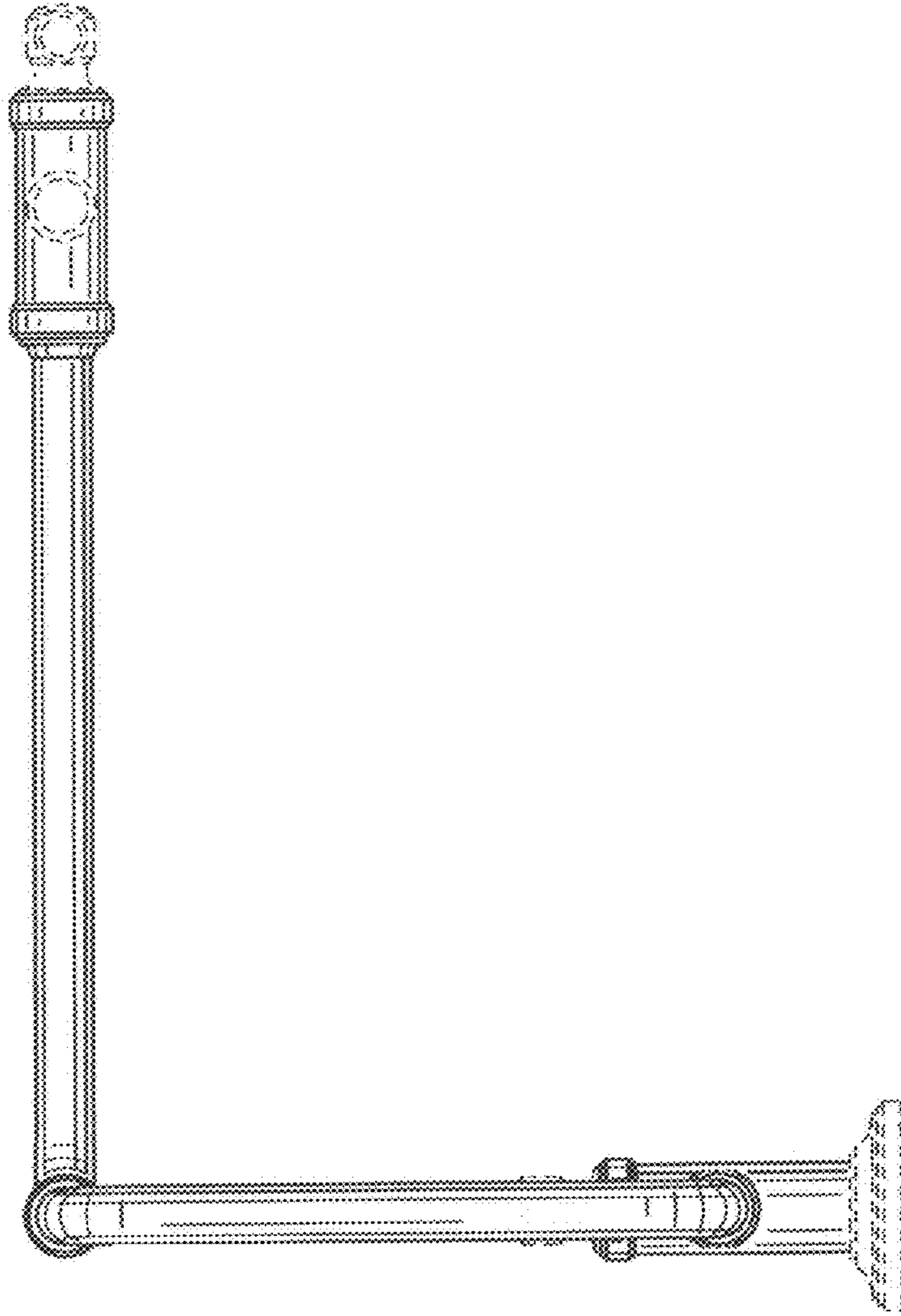


FIG. 6

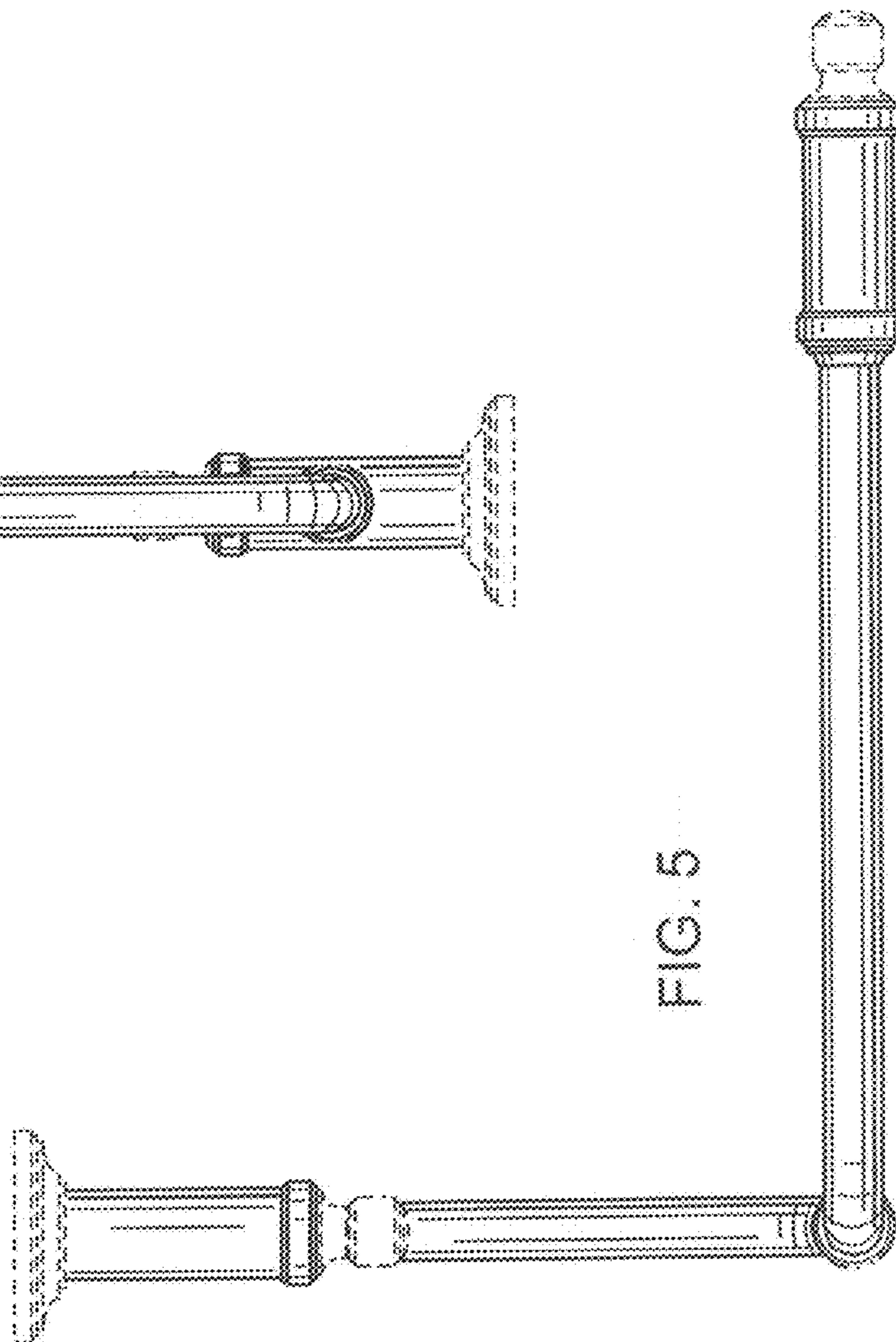


FIG. 5

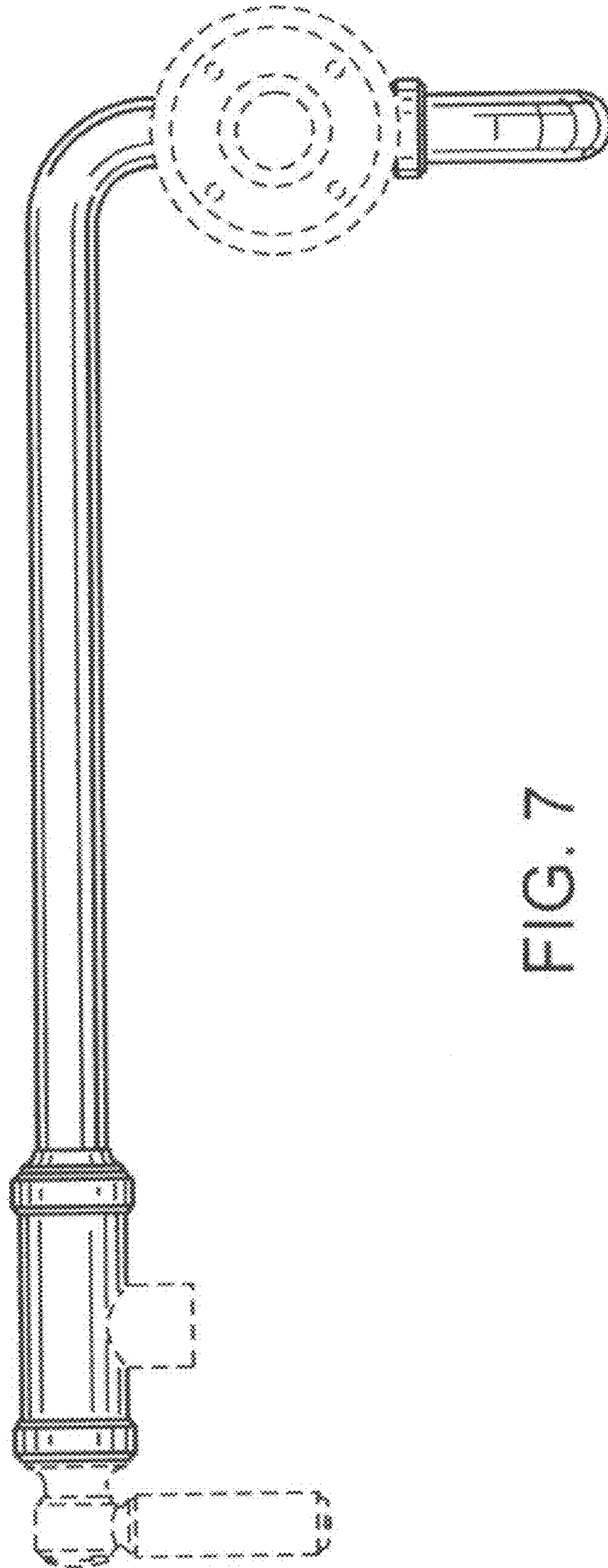


FIG. 7

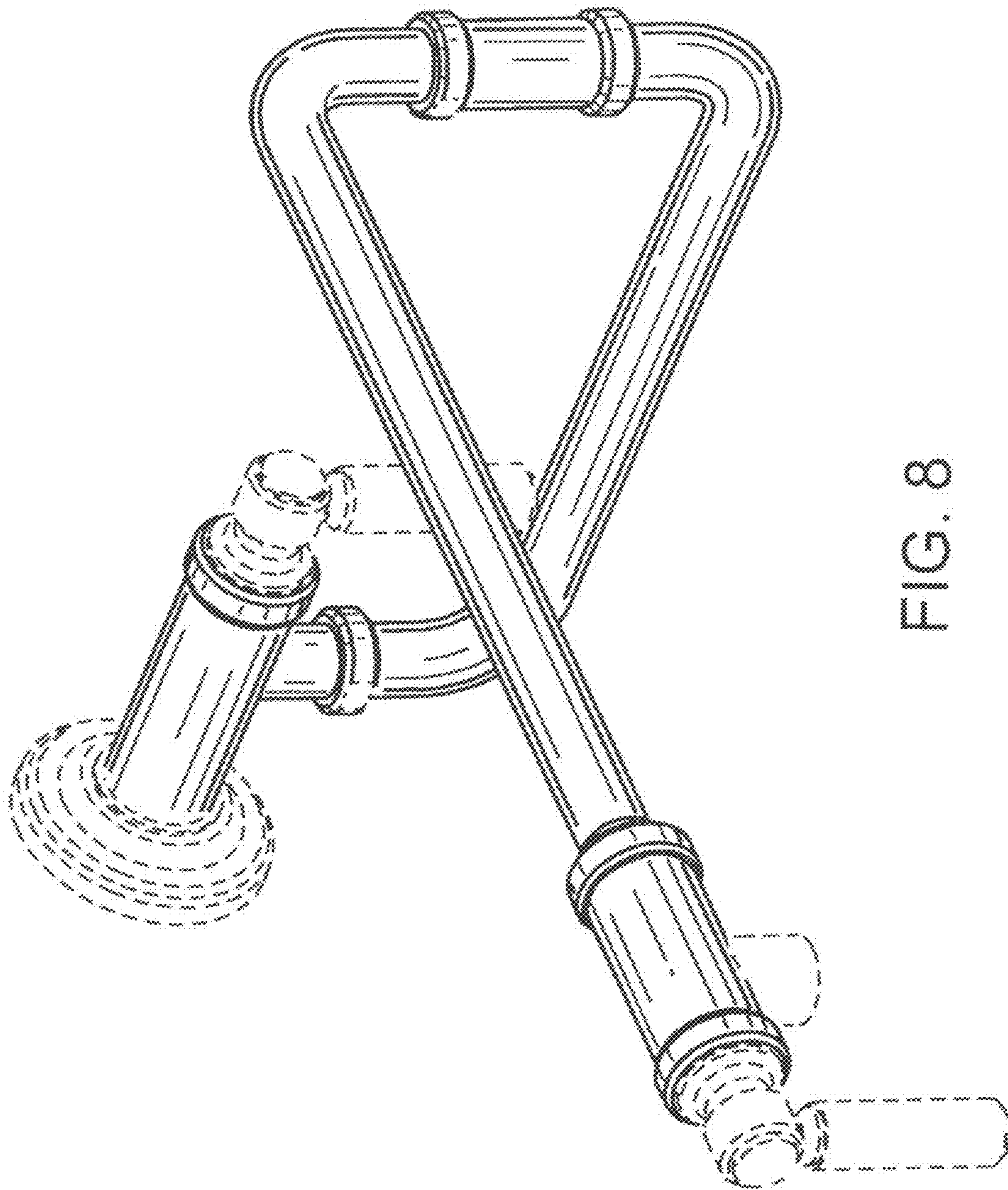


FIG. 8