



US00D589120S

(12) **United States Design Patent**
Tsai

(10) **Patent No.:** **US D589,120 S**
(45) **Date of Patent:** **** Mar. 24, 2009**

(54) **FAUCET BODY**

DESCRIPTION

(75) Inventor: **Hsin-I Canny Tsai**, Sheboygan, WI (US)

(73) Assignee: **Kohler Co.**, Kohler, WI (US)

(**) Term: **14 Years**

(21) Appl. No.: **29/303,599**

(22) Filed: **Feb. 12, 2008**

Related U.S. Application Data

(63) Continuation-in-part of application No. 29/279,757, filed on May 7, 2007, now Pat. No. Des. 574,063.

(51) **LOC (9) Cl.** **23-01**

(52) **U.S. Cl.** **D23/238**

(58) **Field of Classification Search** D23/238-243,
D23/255-257; 4/675-678; 137/801; D8/300,
D8/307-308, 321; 16/110.1

See application file for complete search history.

(56) **References Cited**

U.S. PATENT DOCUMENTS

D312,300 S 11/1990 Joerger

(Continued)

OTHER PUBLICATIONS

Blanco. "Purus I Kitchen Faucet with Side Spray". Model Nos. 157-096-CR and 157-096-ST. Plumbingsupply.com online catalog. Copyright since 1995 Plumbingsupply.com.

(Continued)

Primary Examiner—Robert A Delehanty

(74) *Attorney, Agent, or Firm*—Quarles & Brady LLP

(57) **CLAIM**

The ornamental design for a faucet body, as shown and described.

In a preferred embodiment, the nature of this product is a body for a faucet.

FIG. 1 is a right, top, front perspective view of a faucet body according to my new design;

FIG. 2 is a front elevational view thereof;

FIG. 3 is a rear elevational view thereof;

FIG. 4 is a right side elevational view thereof;

FIG. 5 is a left side elevational view thereof;

FIG. 6 is a top plan view thereof;

FIG. 7 is a bottom plan view thereof;

FIG. 8 is a left, top, front perspective view of a spout body according to another embodiment of my new design, the various views thereof being mirror images of the views shown in FIGS. 2-7;

FIG. 9 is a right, top, front perspective view of a faucet body according to another embodiment of my new design;

FIG. 10 is a front elevational view thereof;

FIG. 11 is a rear elevational view thereof;

FIG. 12 is a right side elevational view thereof;

FIG. 13 is a left side elevational view thereof;

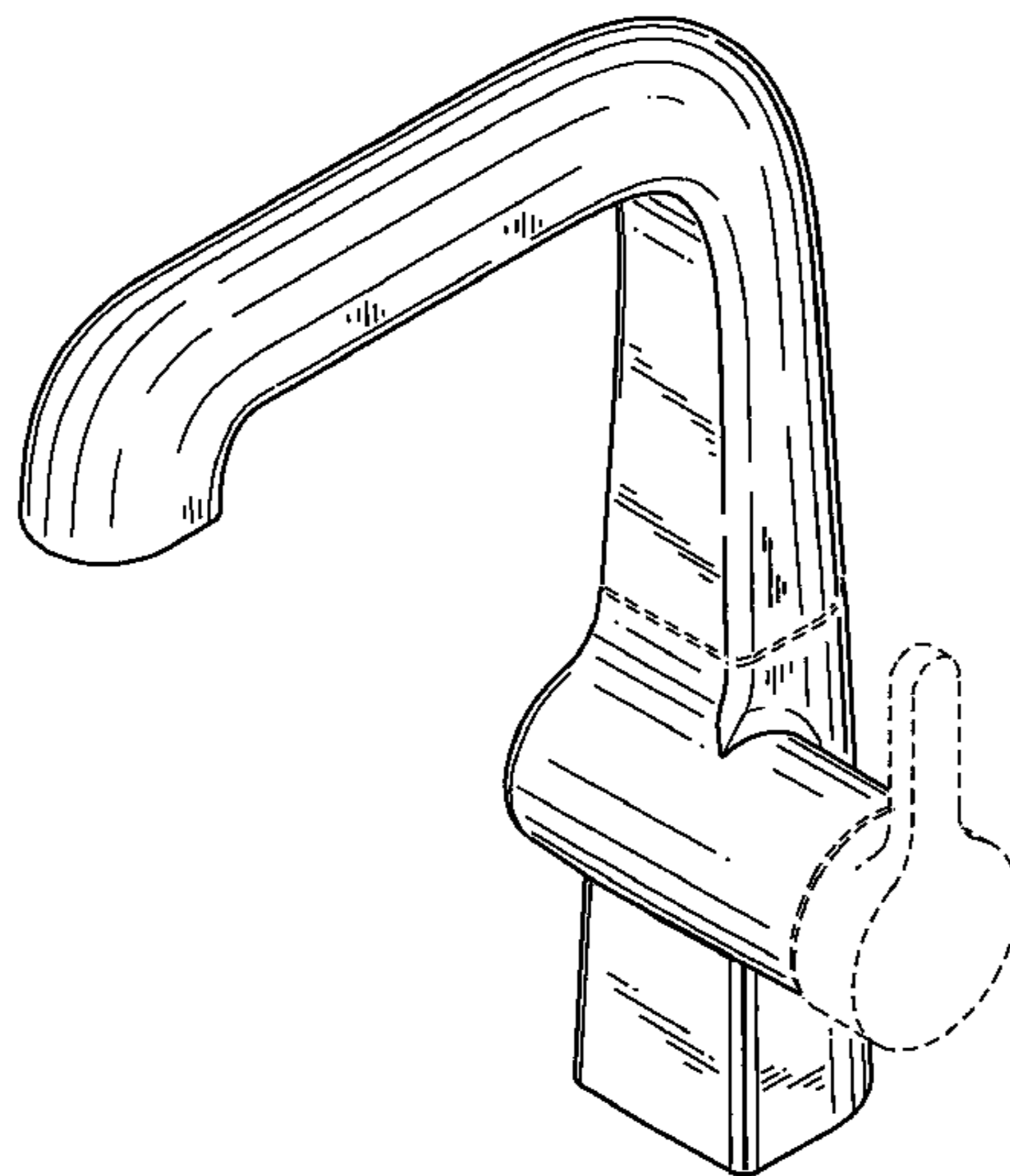
FIG. 14 is a top plan view thereof;

FIG. 15 is a bottom plan view thereof; and,

FIG. 16 is a left, top, front perspective view of a spout body according to another embodiment of my new design, the various views thereof being mirror images of the views shown in FIGS. 10-15.

The broken line representations in the figures, including broken line representations of spray head and handle environment, are for the purpose of illustration only, and form no part of the claimed design.

1 Claim, 12 Drawing Sheets



US D589,120 S

Page 2

U.S. PATENT DOCUMENTS

D314,040 S 1/1991 Heieck
D331,275 S 11/1992 Knapp
D457,601 S 5/2002 Gottwald
D457,939 S 5/2002 Gottwald
D468,398 S 1/2003 Ziemann
D473,287 S 4/2003 Hsu
D479,583 S 9/2003 Citterio
D482,102 S 11/2003 Wettstein et al.
D503,217 S 3/2005 Aubry et al.
D510,612 S 10/2005 Lammel et al.
D520,605 S 5/2006 Gilbert
D522,092 S 5/2006 Hoernig

D534,245 S 12/2006 Egli et al.
D553,714 S * 10/2007 Demmer et al. D23/238
D574,063 S 7/2008 Tsai

OTHER PUBLICATIONS

Jado. "Shogun Single Lever Kitchen Faucet with Pull Out Spray." Model No. 827/850. Faucetdirect.com online catalog. Copyright 2000-2006 Improvement Direct, Inc.
Colourwash.co.uk. "Kube Taps". Colourwash.co.uk catalog, p. 16.

* cited by examiner

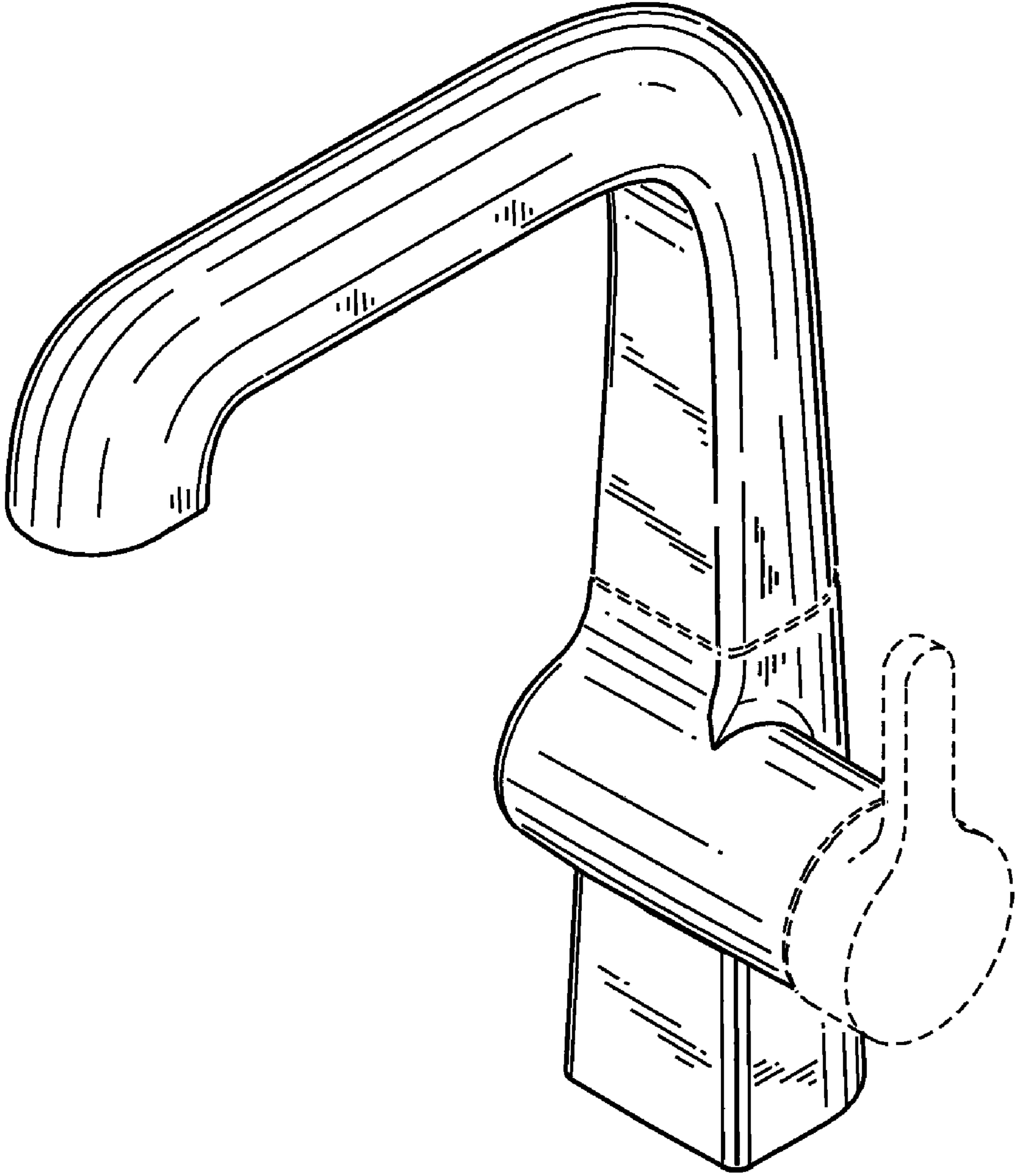


FIG. 1

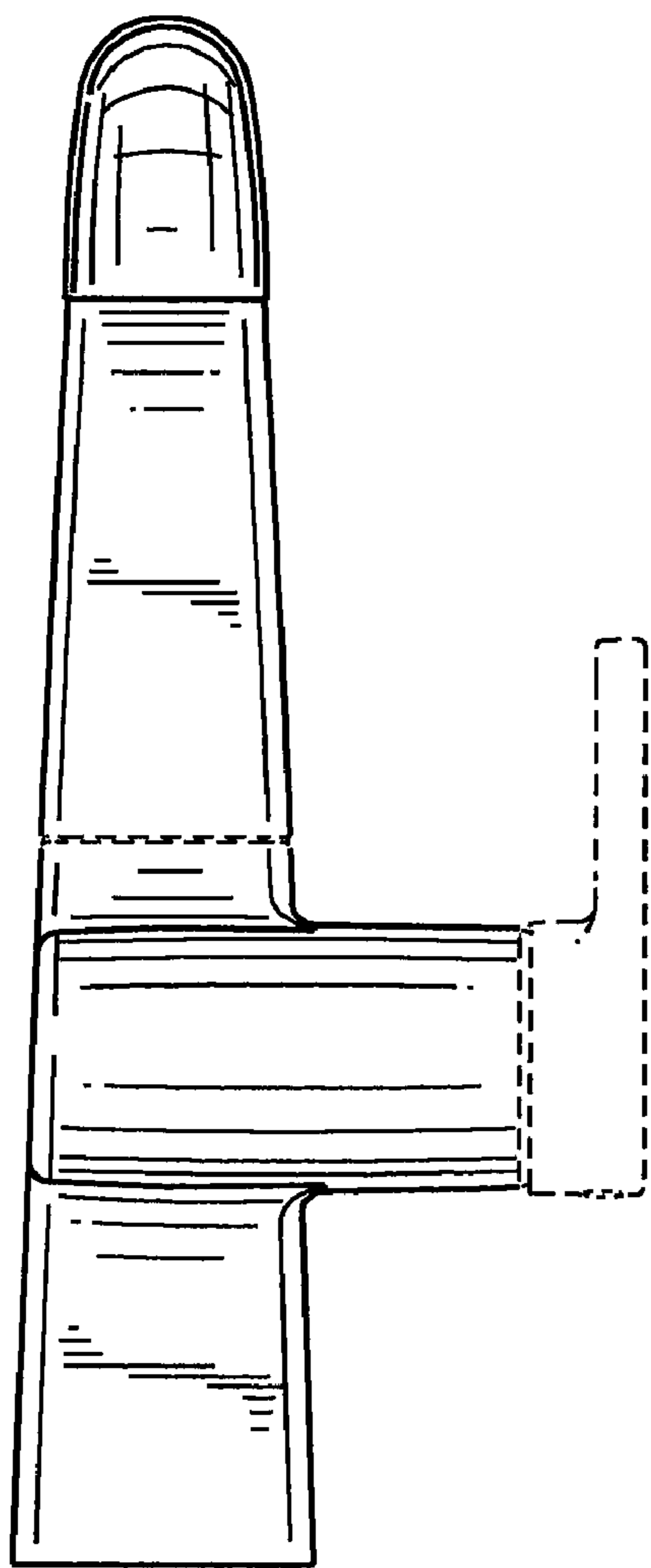


FIG. 2

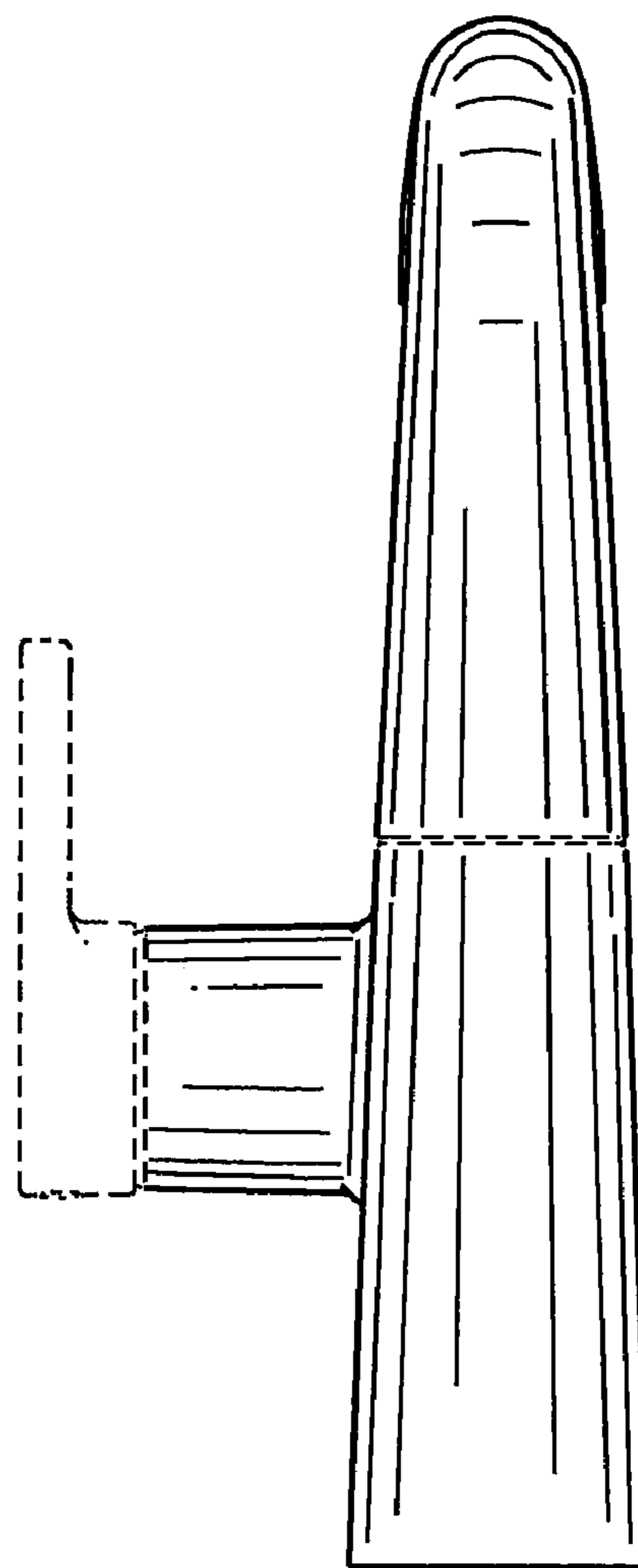


FIG. 3

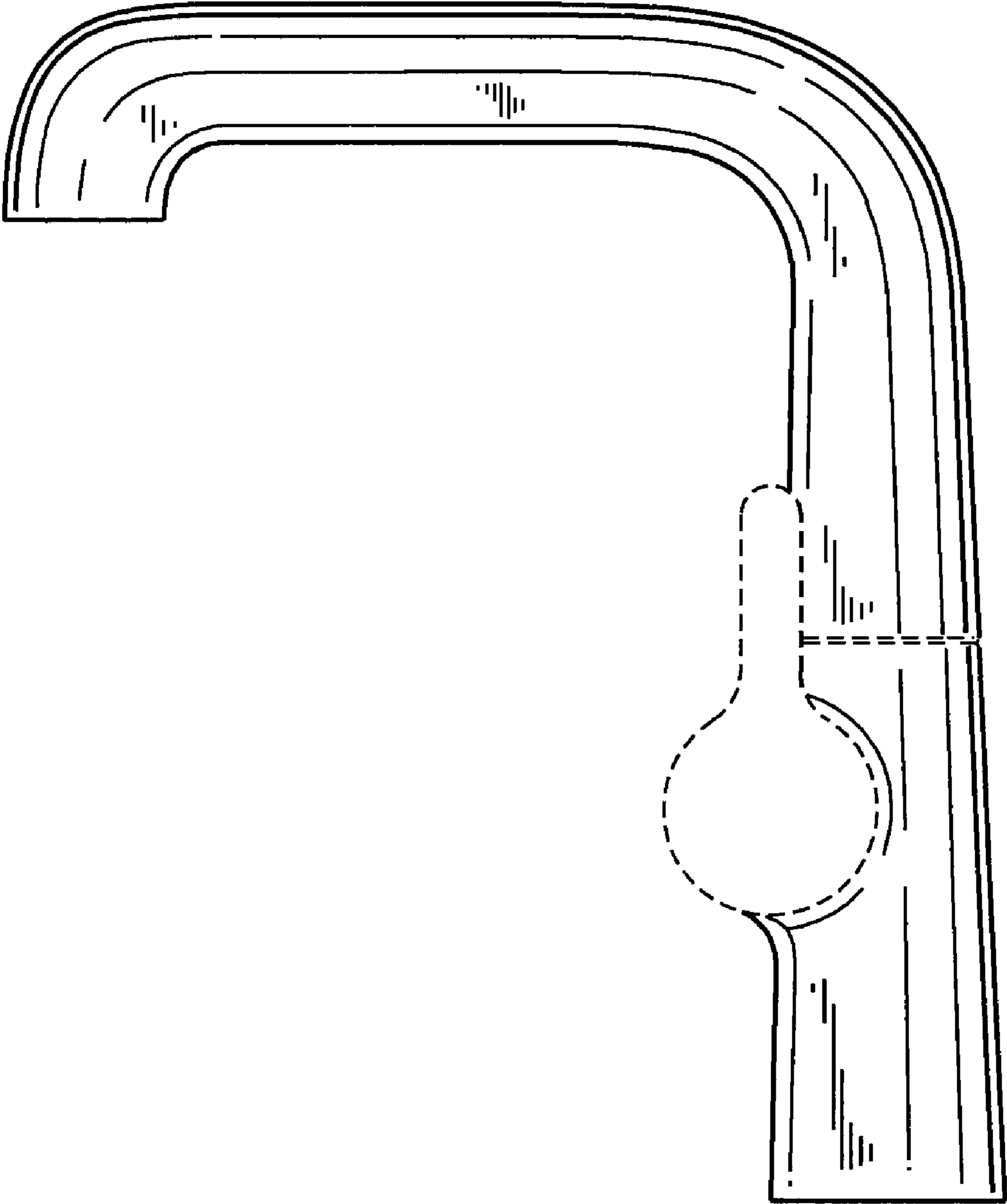


FIG. 4

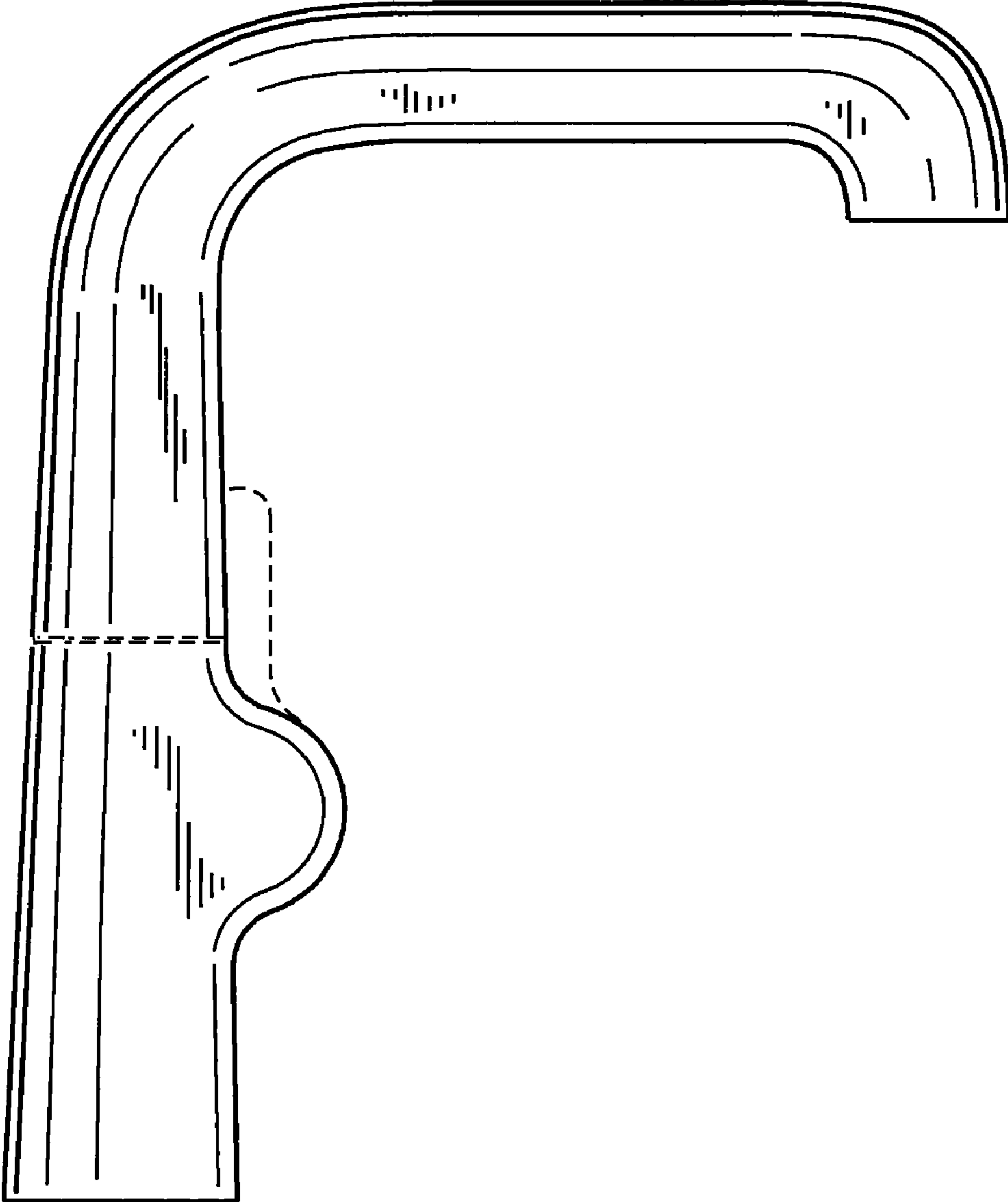


FIG. 5

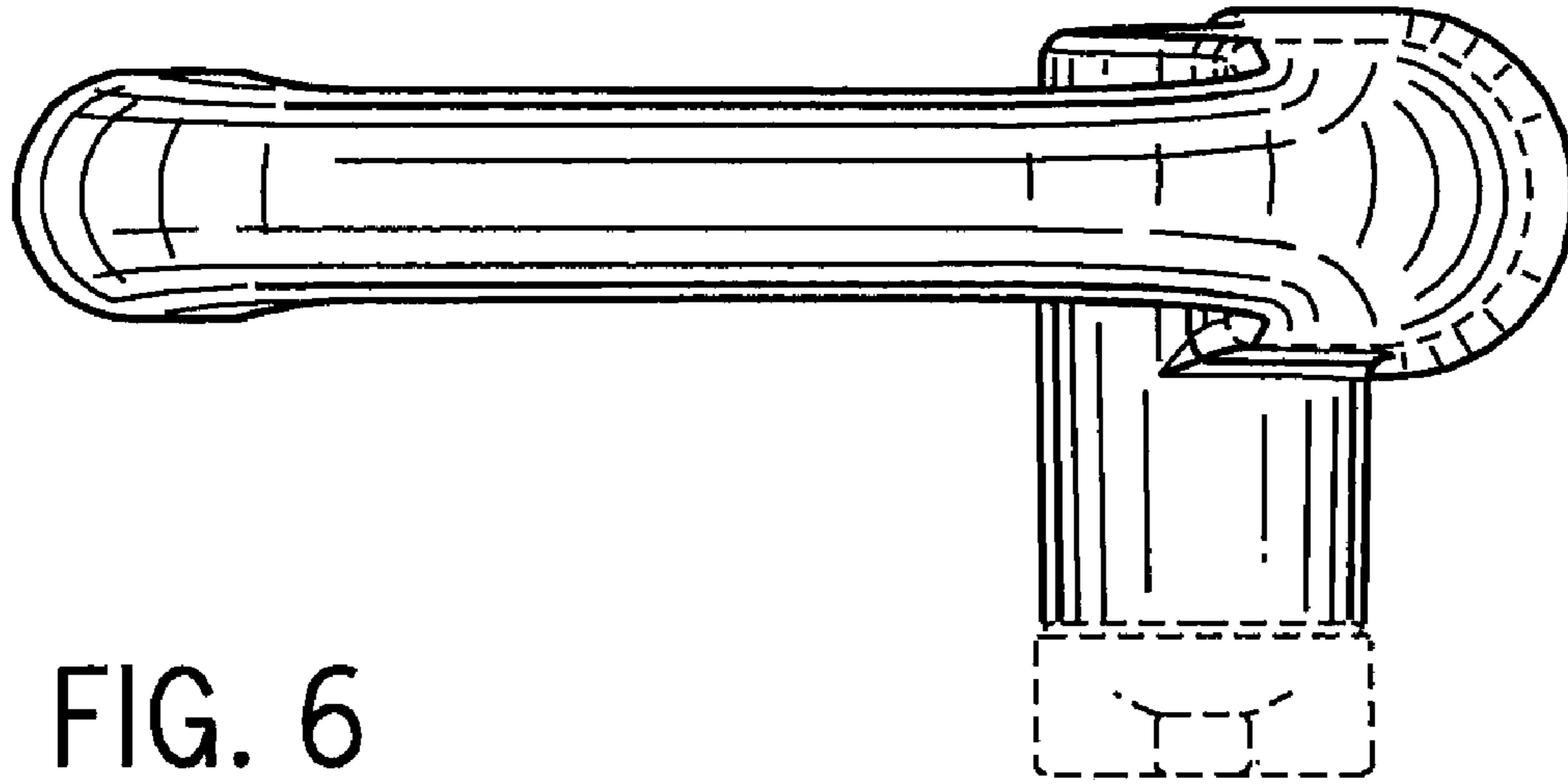


FIG. 6

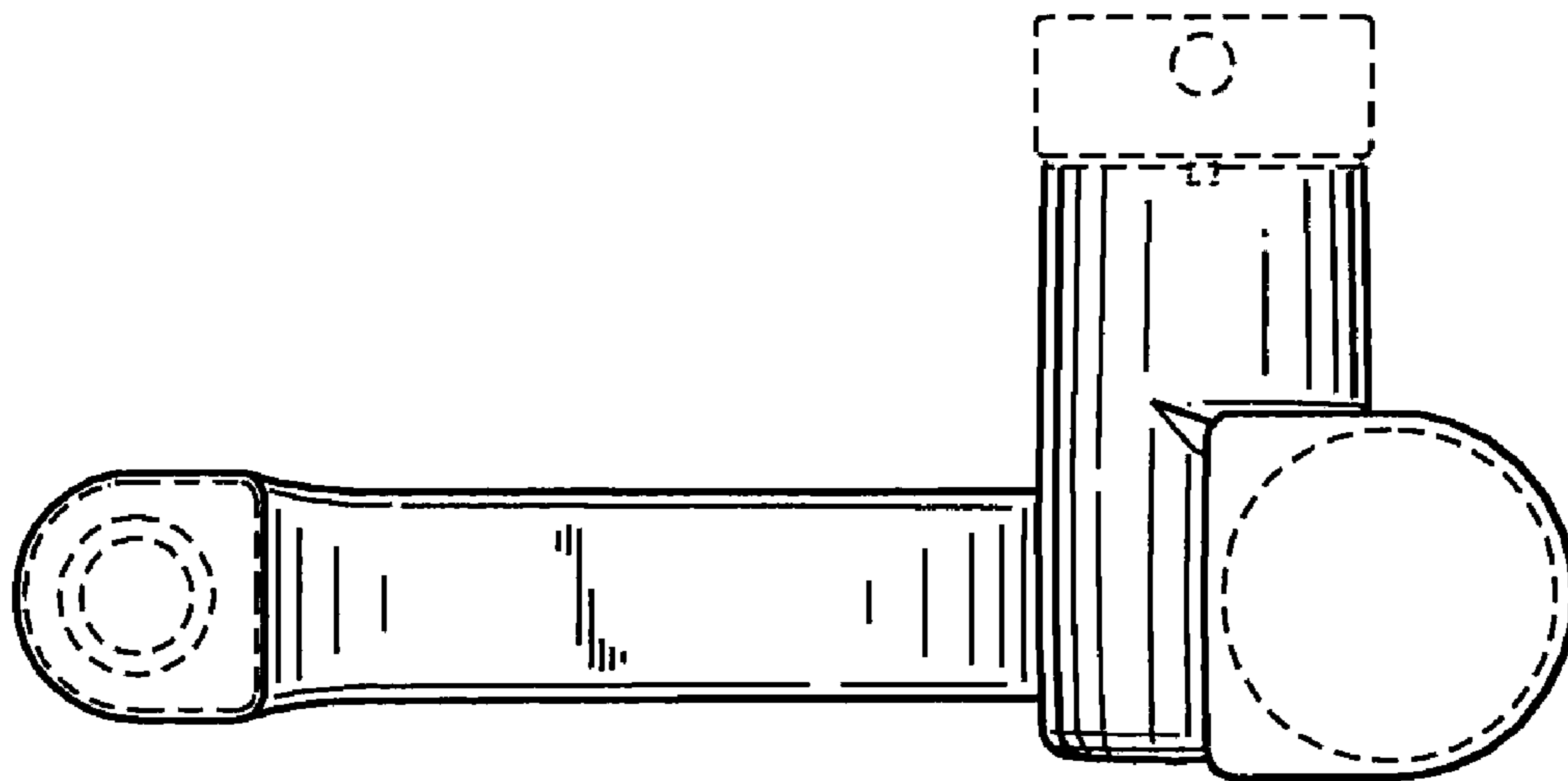


FIG. 7

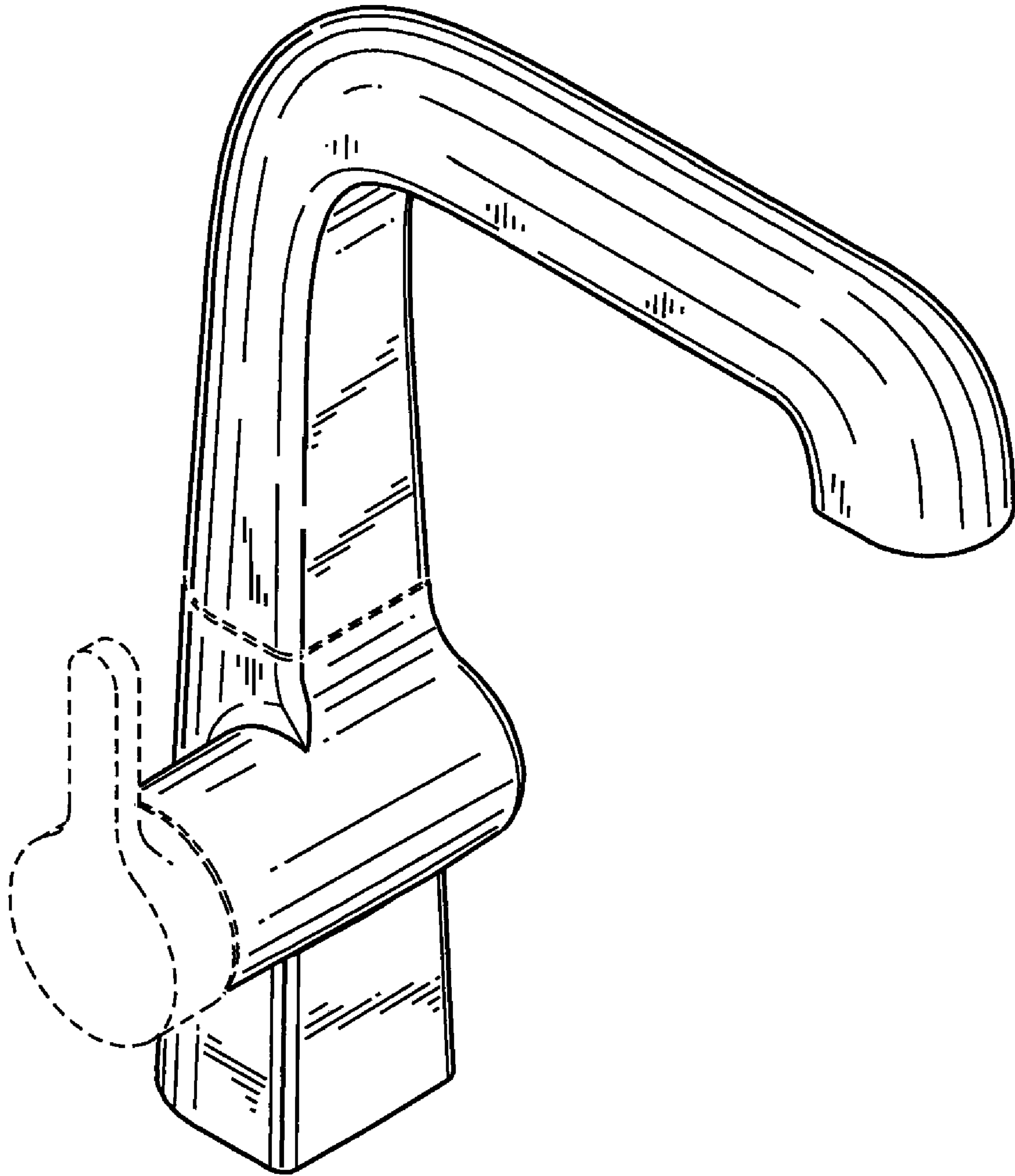


FIG. 8

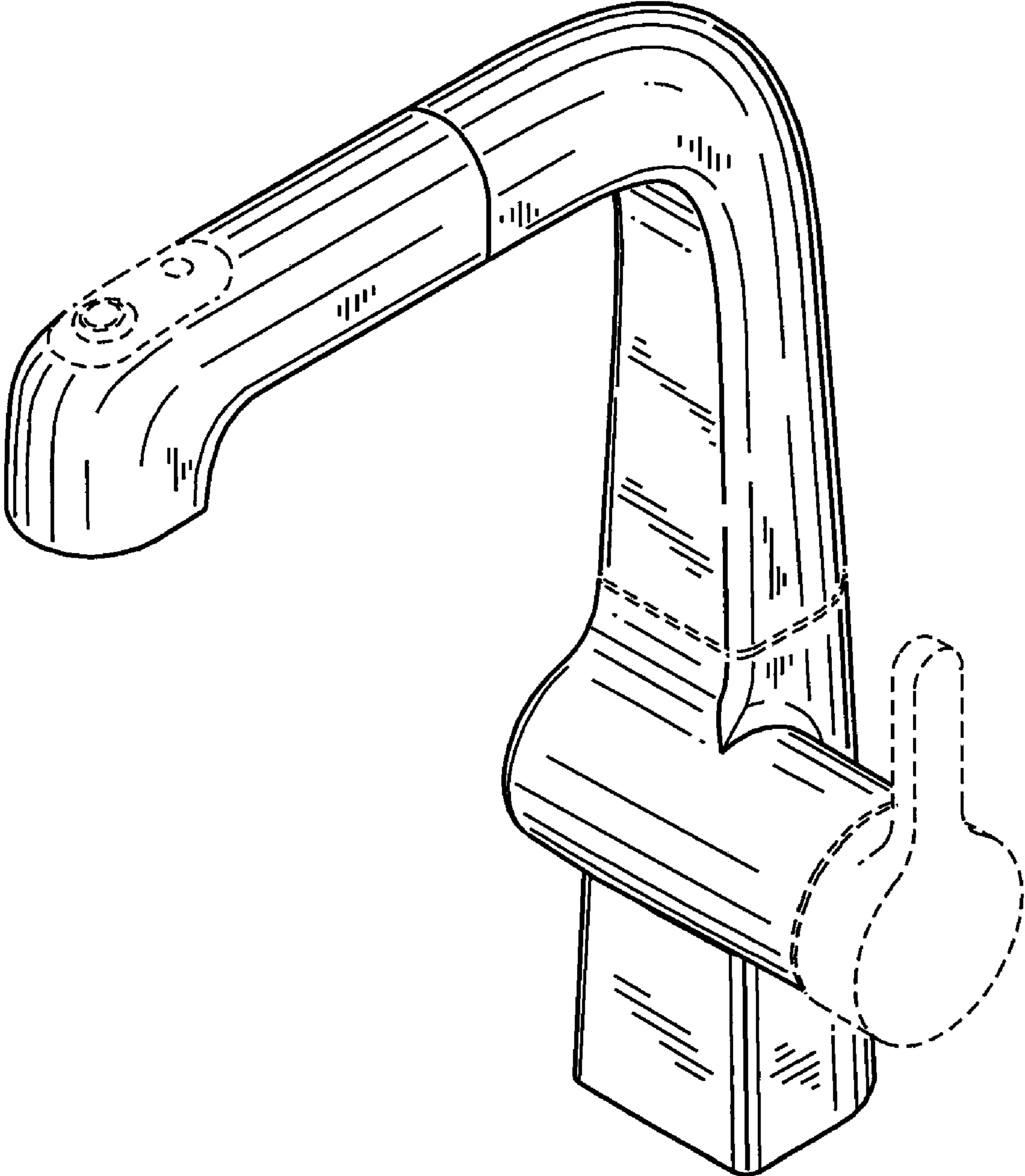


FIG. 9

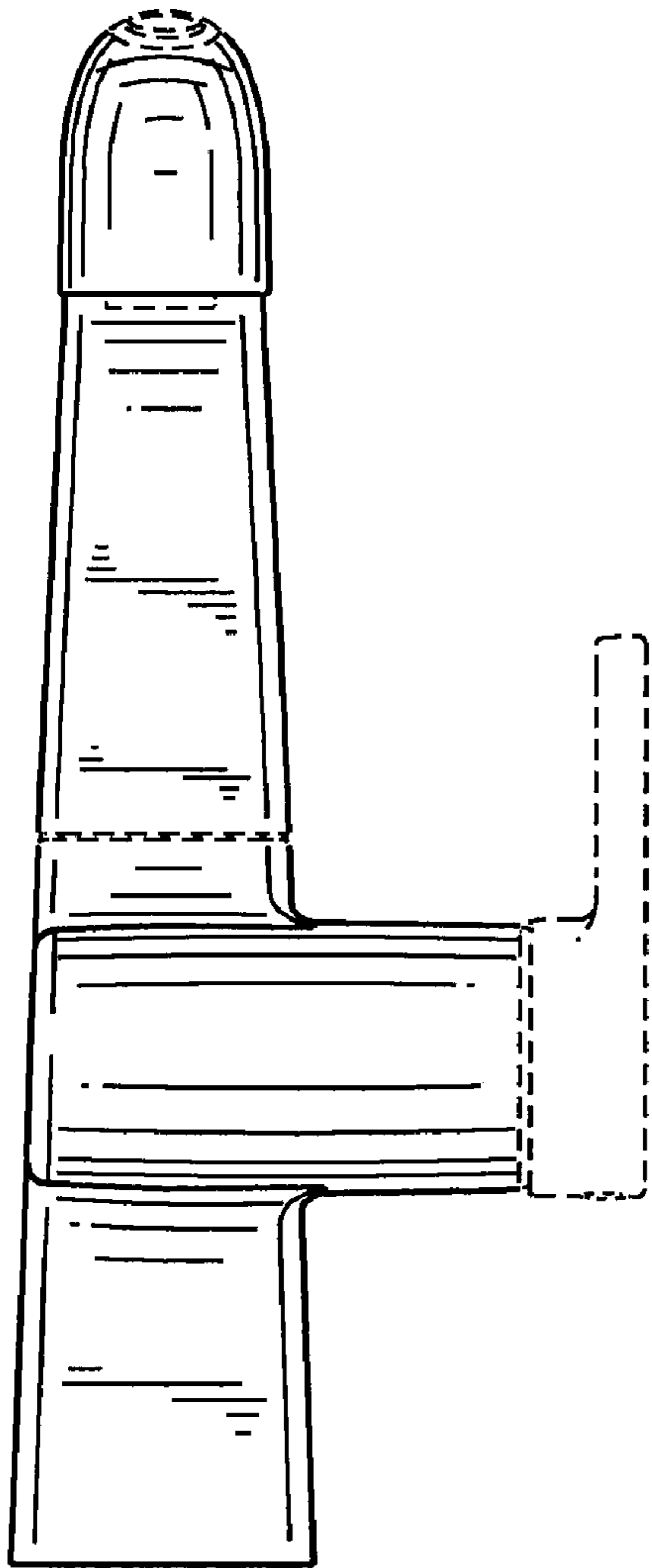


FIG. 10

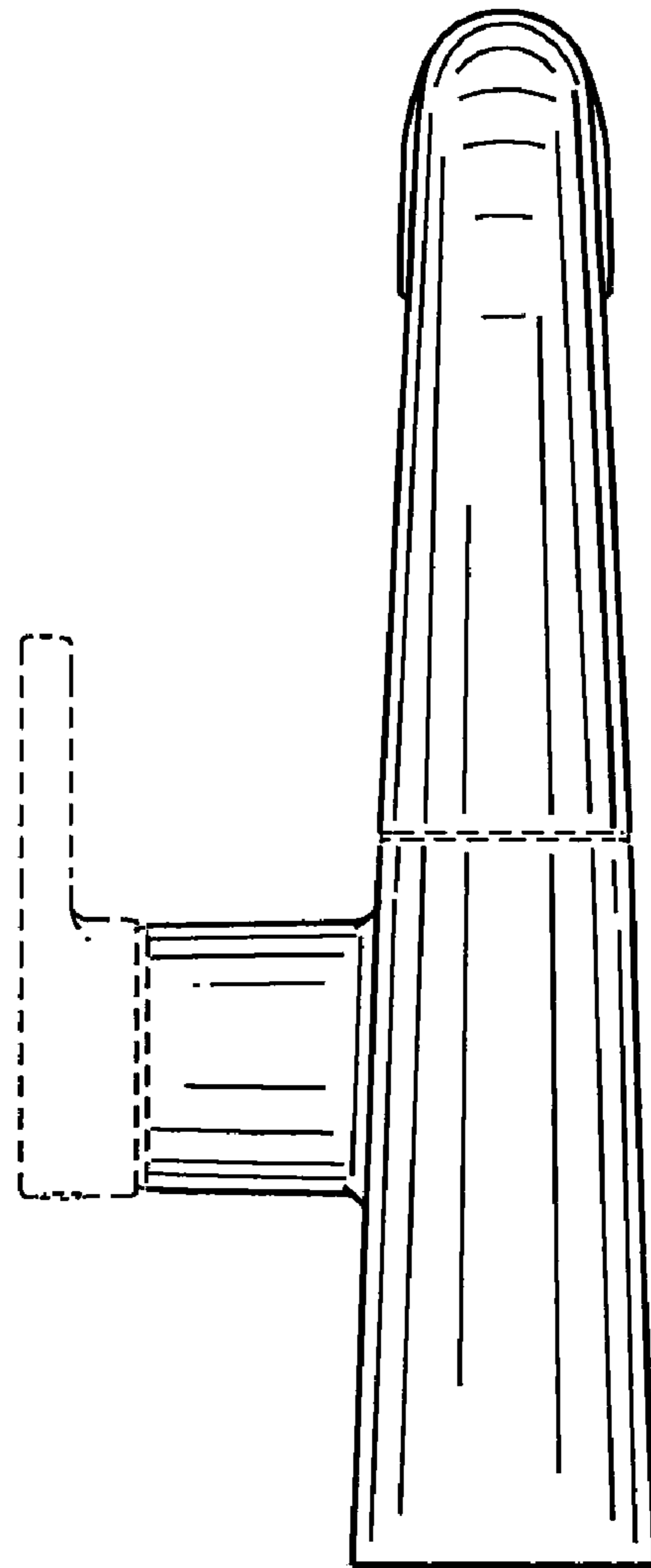


FIG. 11

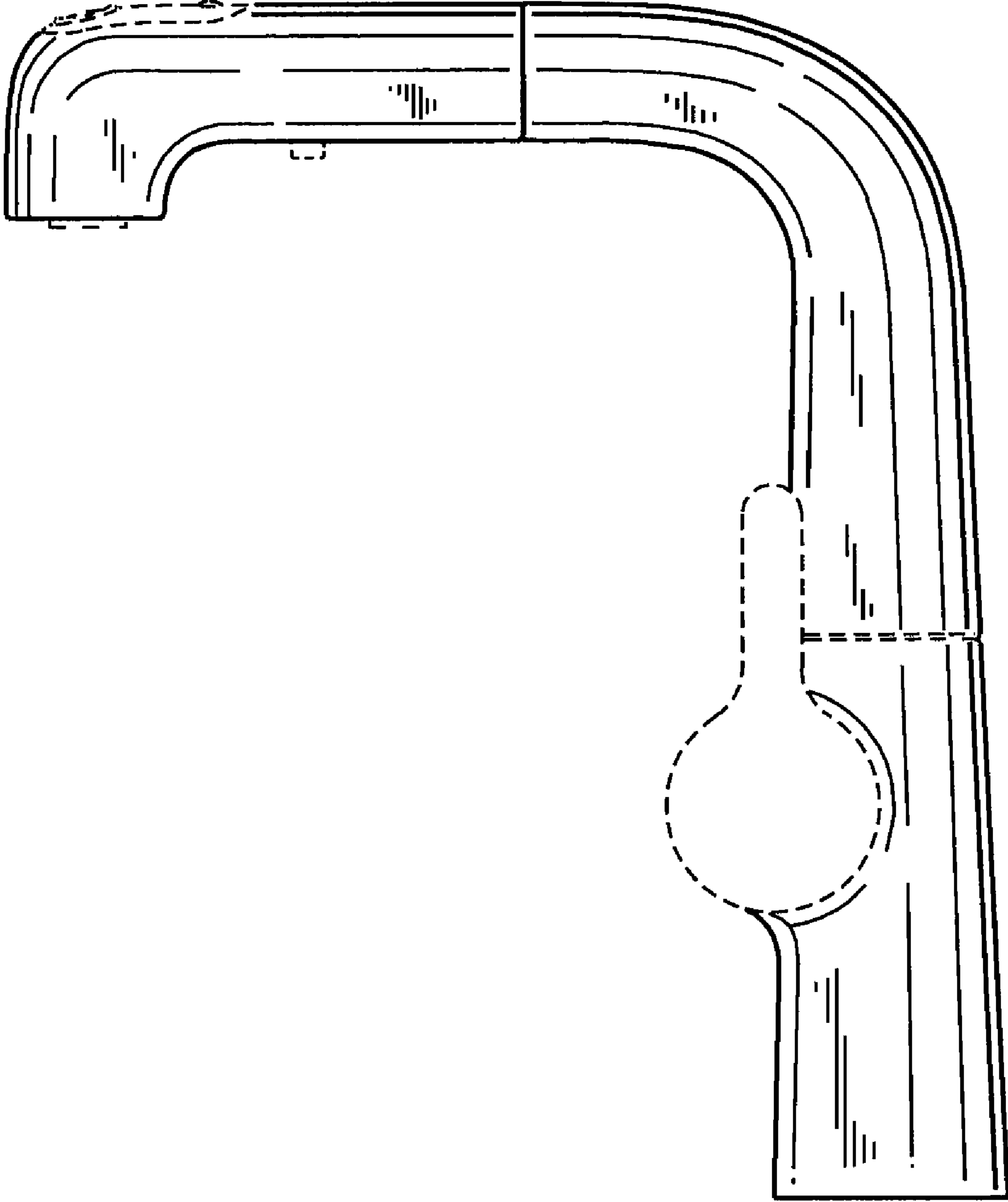


FIG. 12

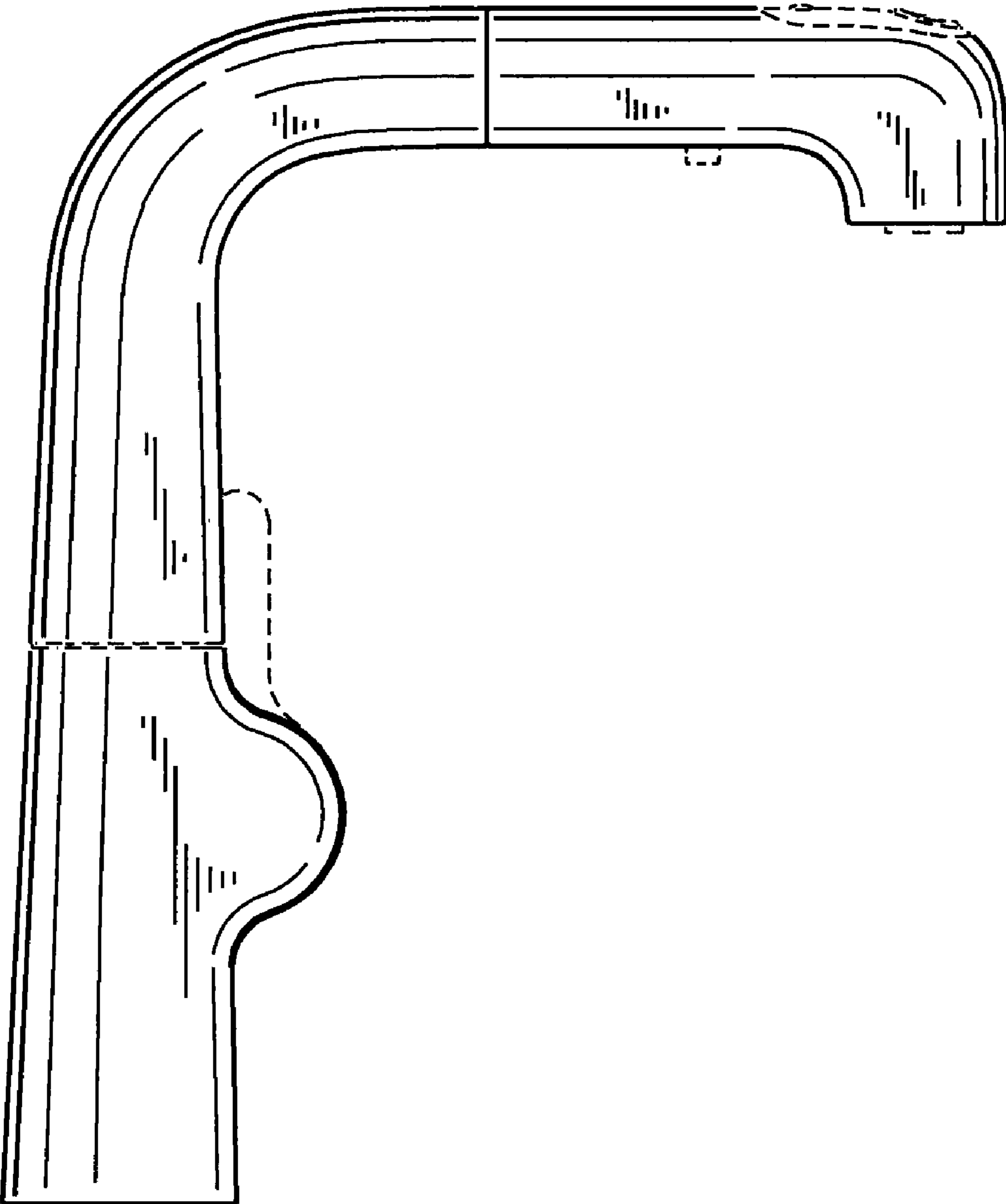


FIG. 13

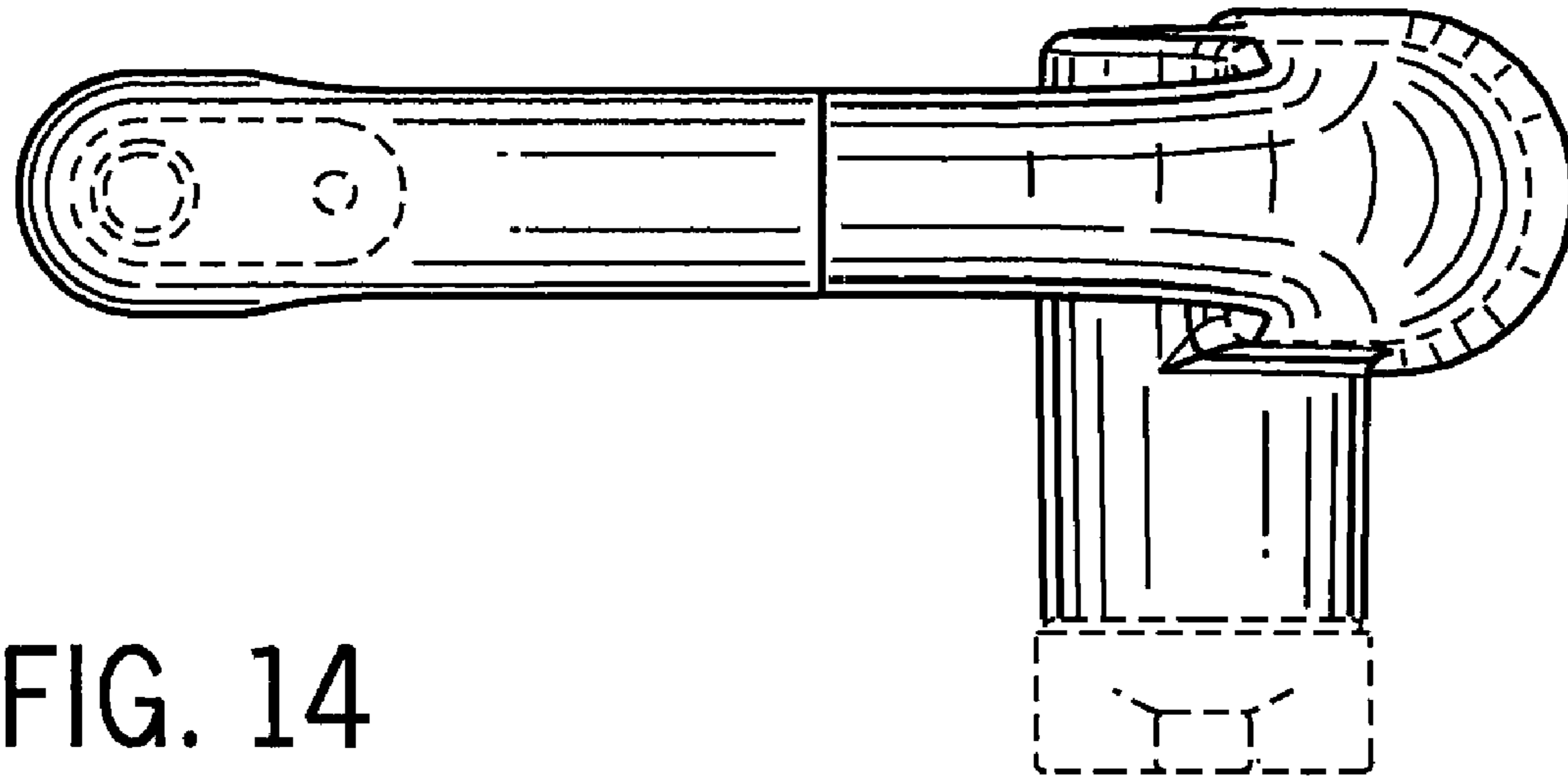
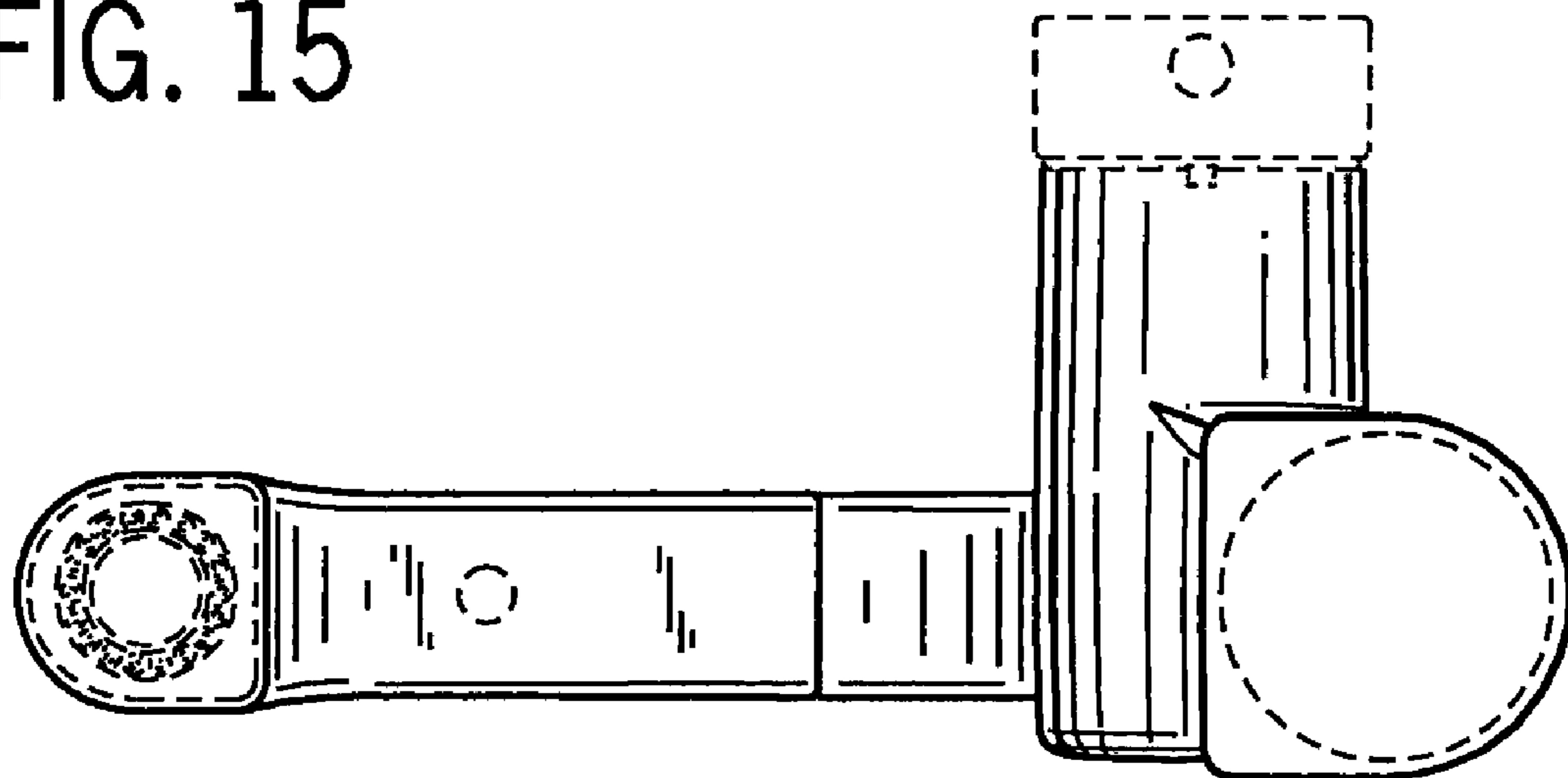


FIG. 15



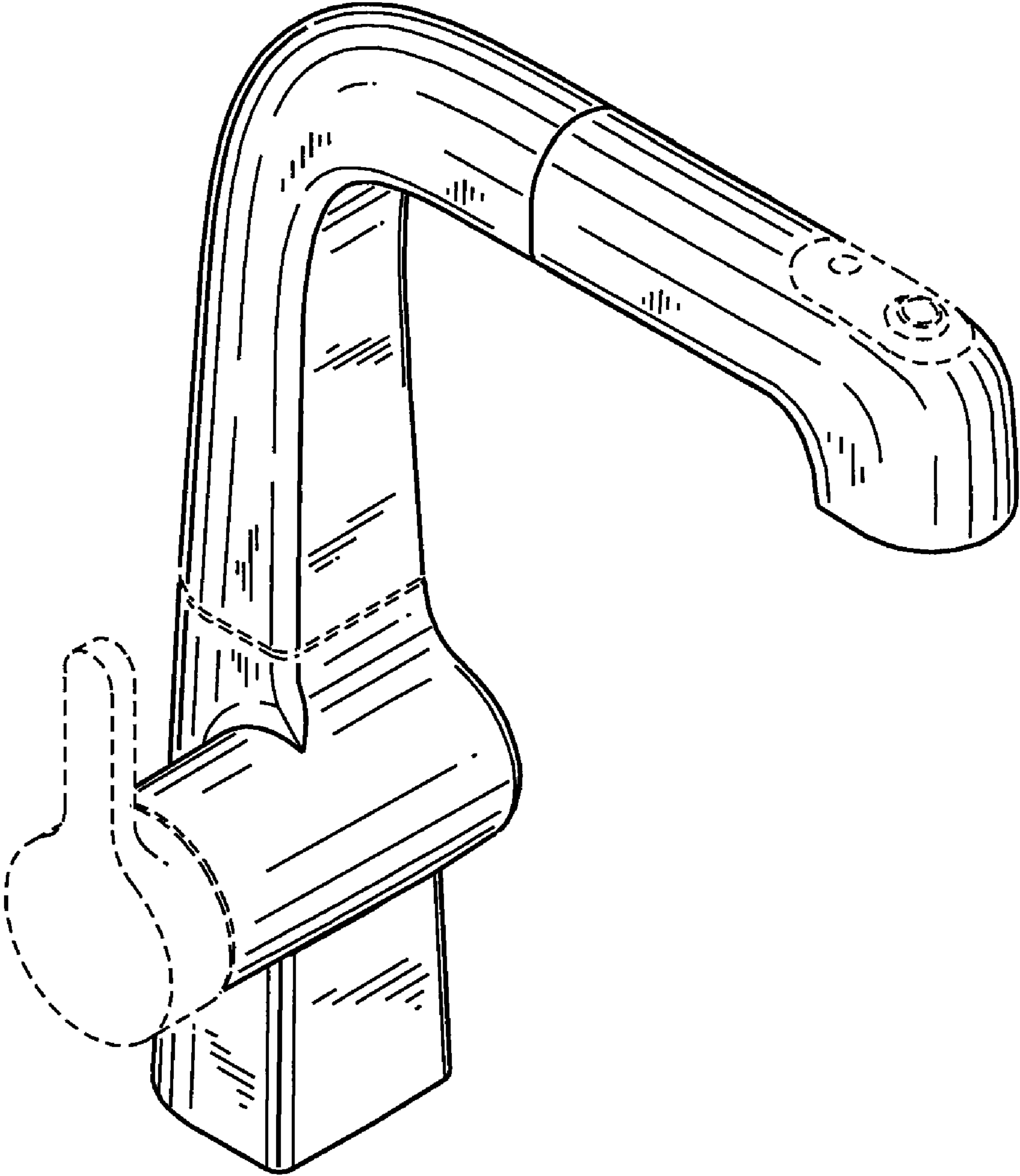


FIG. 16