



US00D589117S

(12) **United States Design Patent**  
**Bardsley et al.**

(10) **Patent No.:** **US D589,117 S**

(45) **Date of Patent:** **\*\* Mar. 24, 2009**

(54) **SHOWER FITTING**

7,310,836 B2 \* 12/2007 Glunk ..... 4/570

(75) Inventors: **Clark Jon Bardsley**, Auckland (NZ);  
**Kent Bradley Thomas Sneddon**,  
Auckland (NZ)

\* cited by examiner

*Primary Examiner*—Robin V Webster  
(74) *Attorney, Agent, or Firm*—Dickstein Shapiro LLP

(73) Assignee: **Methven Limited**, Auckland (NZ)

(57) **CLAIM**

(\*\*) Term: **14 Years**

The ornamental design for shower fitting, as shown and described.

(21) Appl. No.: **29/290,256**

(22) Filed: **Nov. 9, 2007**

**DESCRIPTION**

(51) **LOC (9) Cl.** ..... **23-01**

(52) **U.S. Cl.** ..... **D23/228; D23/304**

(58) **Field of Classification Search** ..... D23/228,  
D23/213, 223, 229–230, 304; 4/615, 570,  
4/596, 597

See application file for complete search history.

FIG. 1 is a top view of shower fitting, showing the new design;  
FIG. 2 is a front view thereof;  
FIG. 3 is a right side view thereof;  
FIG. 4 is a rear view thereof;  
FIG. 5 is a left side view thereof;  
FIG. 6 is a bottom view thereof; and,  
FIG. 7 is a perspective view thereof.

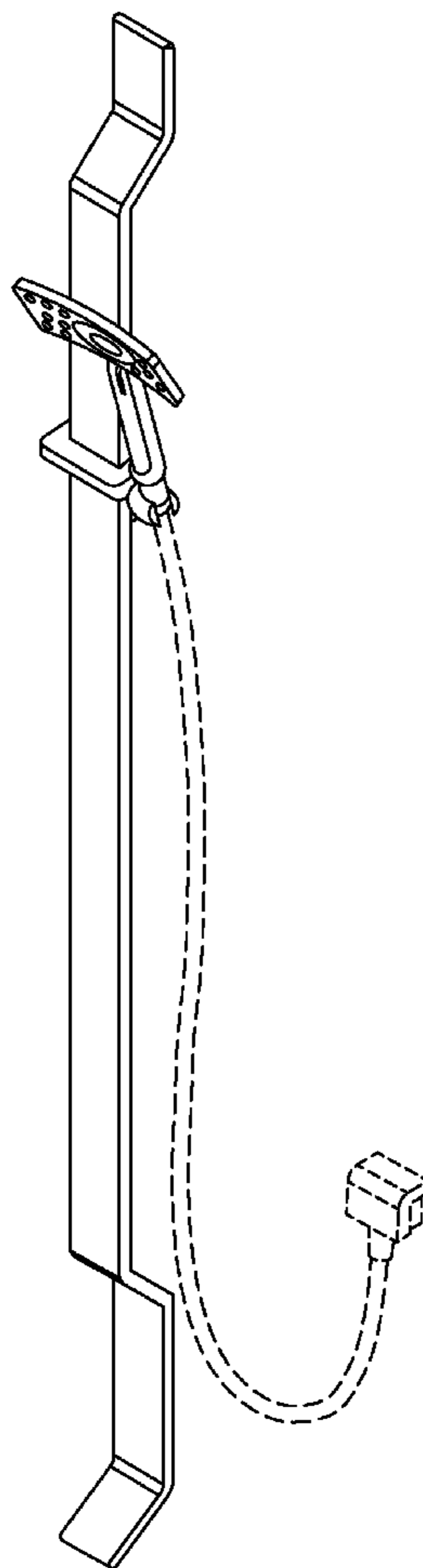
(56) **References Cited**

**U.S. PATENT DOCUMENTS**

D477,657 S \* 7/2003 Toyohara ..... D23/304  
D527,792 S \* 9/2006 Hoernig ..... D23/228  
D541,934 S \* 5/2007 Gomez ..... D24/128

The broken lines in the drawings form no part of the claimed design.

**1 Claim, 7 Drawing Sheets**



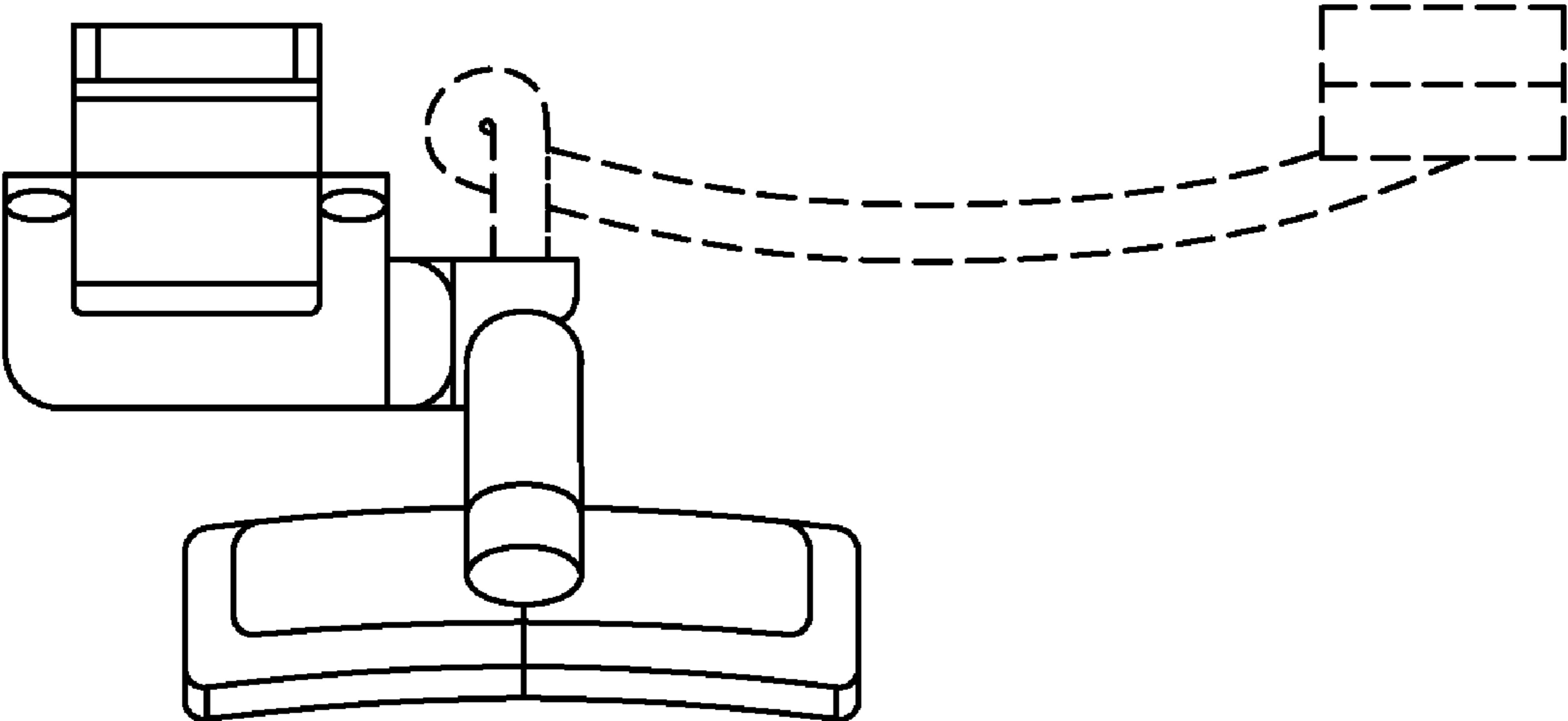


FIG. 1

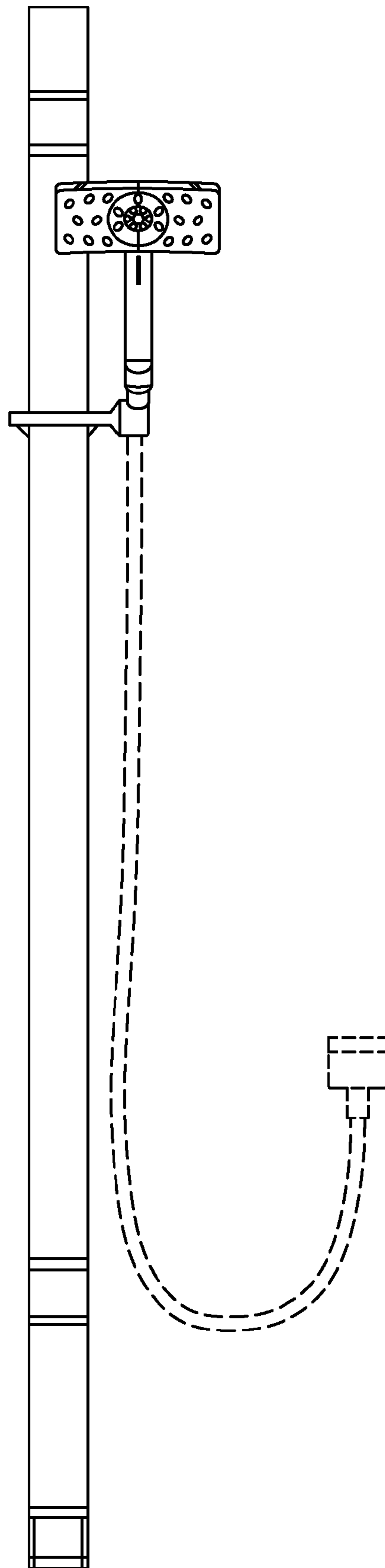


FIG. 2

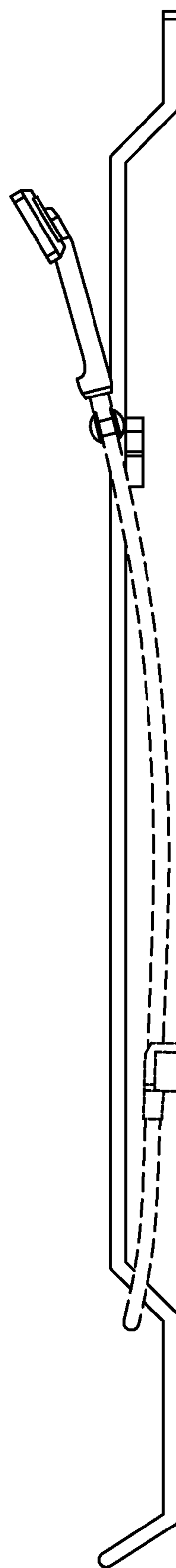


FIG. 3

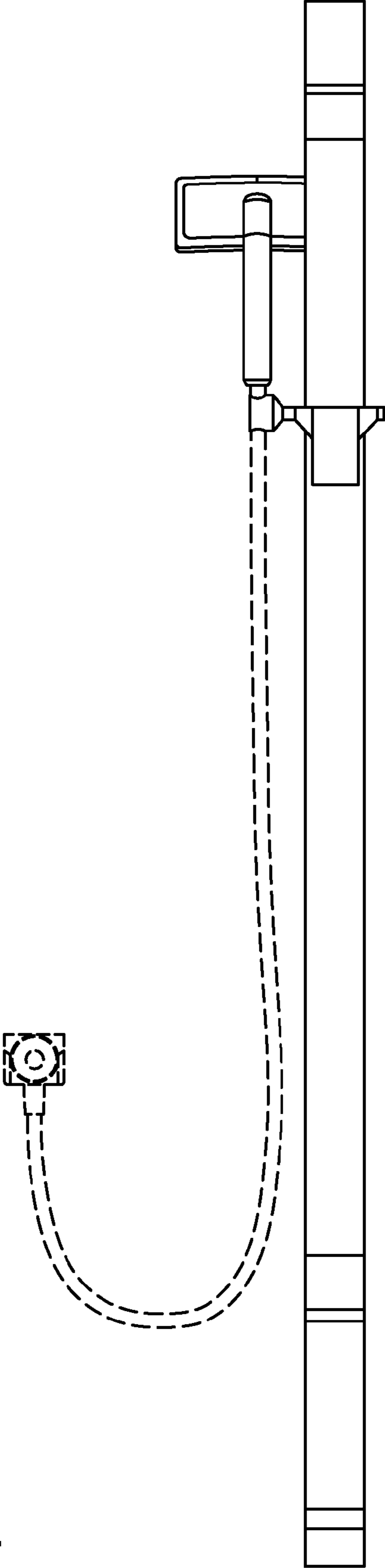


FIG. 4

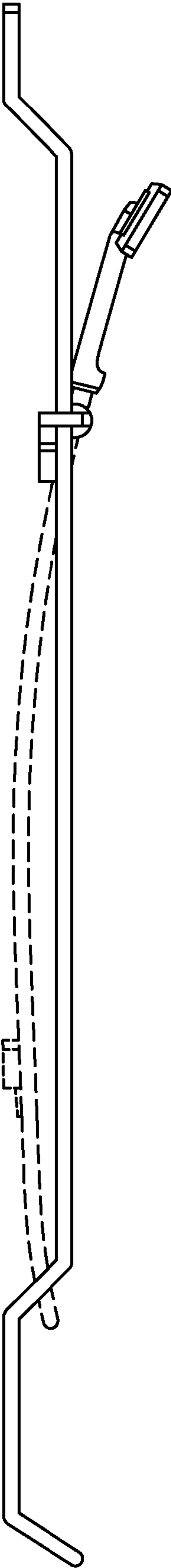


FIG. 5

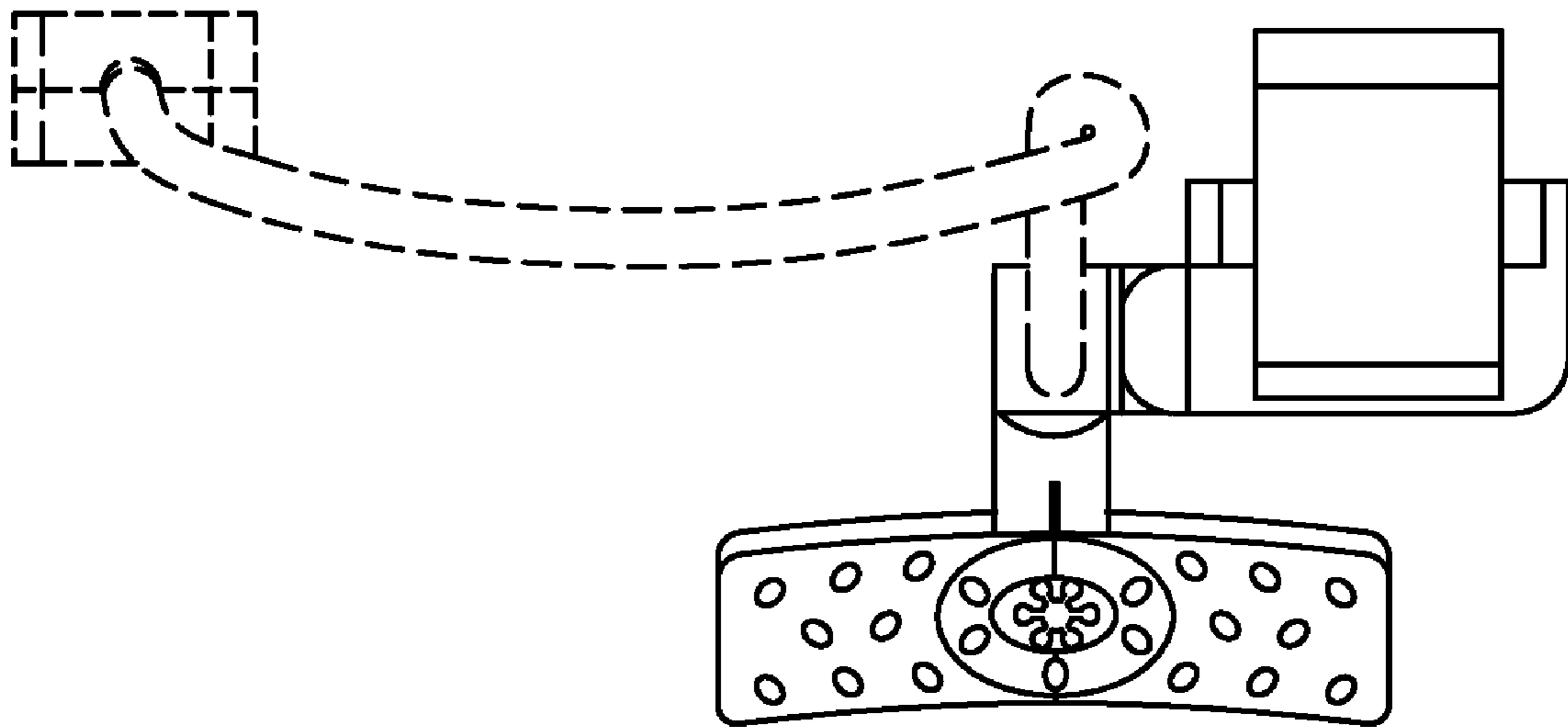


FIG. 6

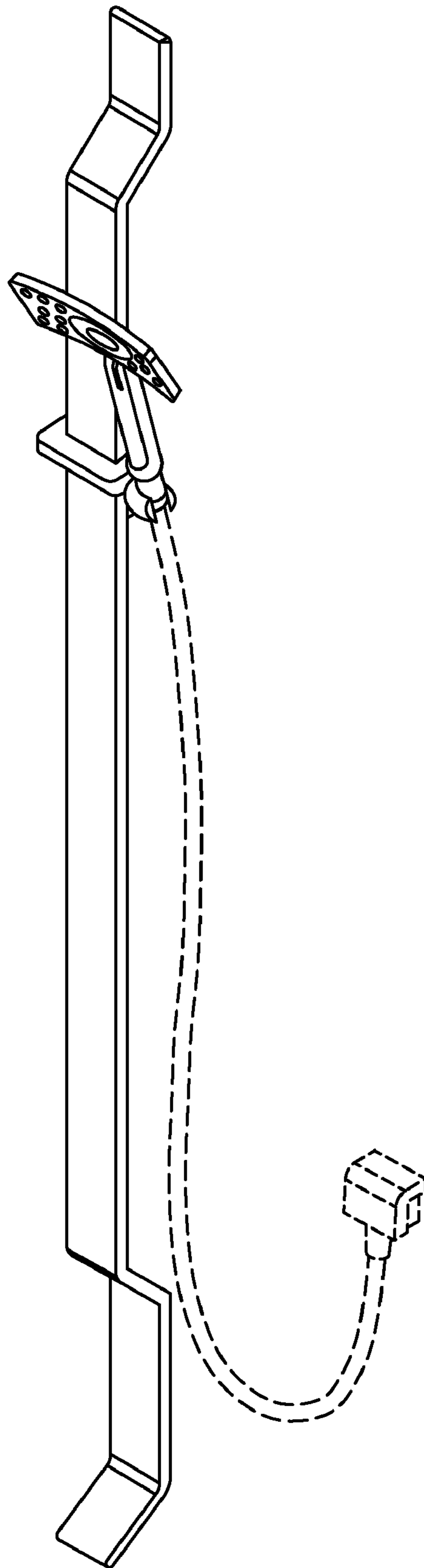


FIG. 7