



US00D589114S

(12) **United States Design Patent**  
**Haygood**

(10) **Patent No.:** **US D589,114 S**  
(45) **Date of Patent:** **\*\* Mar. 24, 2009**

(54) **HUNTING, CUTTING AND GUTTING TOOL**  
(75) Inventor: **Robert Haygood**, 534 Hunters Creek,  
Hockley, TX (US) 77447  
(73) Assignee: **Robert Haygood**, Hockley, TX (US)  
(\*\*) Term: **14 Years**  
(21) Appl. No.: **29/308,825**  
(22) Filed: **Jul. 11, 2008**  
(51) **LOC (9) Cl.** ..... **22-05**  
(52) **U.S. Cl.** ..... **D22/149**  
(58) **Field of Classification Search** ..... D22/149,  
D22/134, 199; 7/106, 130; 30/294, 290,  
30/28, 169, 123, 154-155, 186, 191; 43/53.5;  
D7/696  
See application file for complete search history.

(56) **References Cited**  
U.S. PATENT DOCUMENTS  
2,364,333 A \* 12/1944 Wisher ..... 7/106  
D229,659 S \* 12/1973 Morgan ..... D22/149  
D365,134 S \* 12/1995 Manasco ..... D22/118  
6,708,359 B2 \* 3/2004 Butts ..... 7/106  
D497,405 S \* 10/2004 Boone et al. .... D22/149  
7,481,019 B2 \* 1/2009 Rosenberg ..... 43/44.8

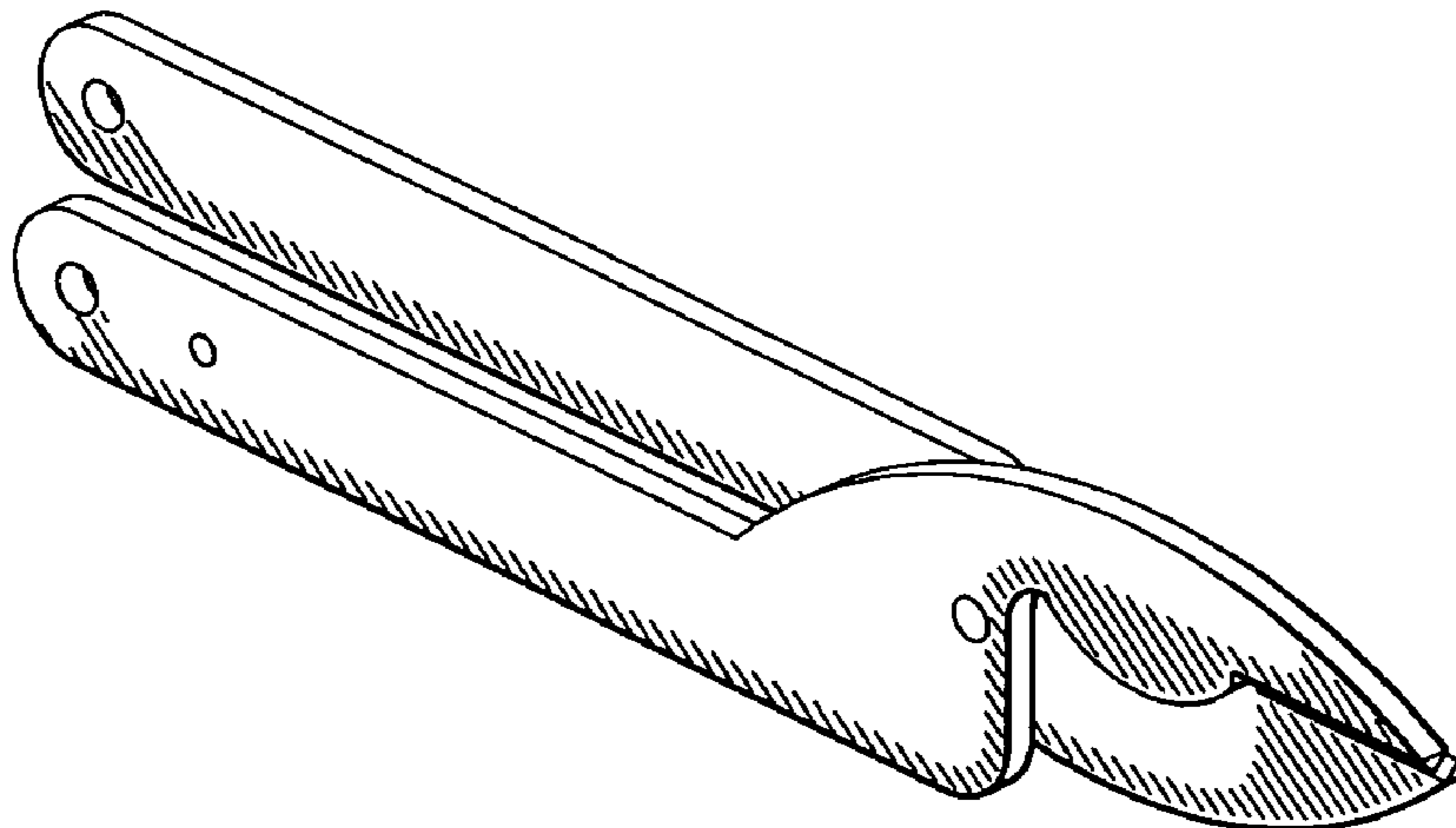
\* cited by examiner  
*Primary Examiner*—Catherine R Oliver

(57) **CLAIM**  
The ornamental design for a hunting, cutting and gutting tool,  
as shown and described.

**DESCRIPTION**  
FIG. 1 is a first side elevation view of a first component of a  
hunting, cutting and gutting tool showing my new design;  
FIG. 2 is a top plan view thereof;  
FIG. 3 is an end view thereof;  
FIG. 4 is an opposite end view thereof;  
FIG. 5 is a bottom plan view thereof;  
FIG. 6 is an opposite side view thereof;

FIG. 7 is a perspective view thereof.  
FIG. 8 is a first side elevation view of a second component of  
a hunting, cutting and gutting tool showing my new design;  
FIG. 9 is a top plan view thereof;  
FIG. 10 is an end view thereof;  
FIG. 11 is an opposite end view thereof;  
FIG. 12 is a bottom plan view thereof;  
FIG. 13 is an opposite side view thereof;  
FIG. 14 is a perspective view thereof.  
FIG. 15 is a first side elevation view of first and second  
components of a hunting, cutting and gutting tool in an  
assembled configuration showing my new design;  
FIG. 16 is a top plan view thereof;  
FIG. 17 is an end view thereof;  
FIG. 18 is an opposite end view thereof;  
FIG. 19 is a bottom plan view thereof;  
FIG. 20 is an opposite side view thereof;  
FIG. 21 is a perspective view thereof.  
FIG. 22 is a first side elevation view of a modification to a first  
component of a hunting, cutting and gutting tool showing my  
new design;  
FIG. 23 is a top plan view thereof;  
FIG. 24 is an end view thereof;  
FIG. 25 is an opposite end view thereof;  
FIG. 26 is a bottom plan view thereof;  
FIG. 27 is an opposite side view thereof;  
FIG. 28 is a perspective view thereof.  
FIG. 29 is a first side elevation view of a modification to a  
second component of a hunting, cutting and gutting tool  
showing my new design;  
FIG. 30 is a top plan view thereof;  
FIG. 31 is an end view thereof;  
FIG. 32 is an opposite end view thereof;  
FIG. 33 is a bottom plan view thereof;  
FIG. 34 is an opposite side view thereof; and,  
FIG. 35 is a perspective view thereof.

**1 Claim, 7 Drawing Sheets**



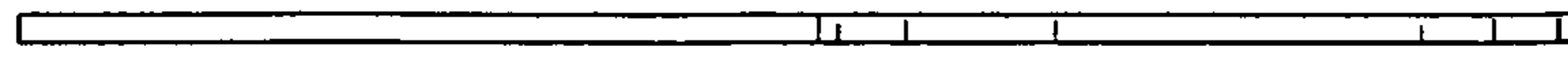


FIG. 2



FIG. 3

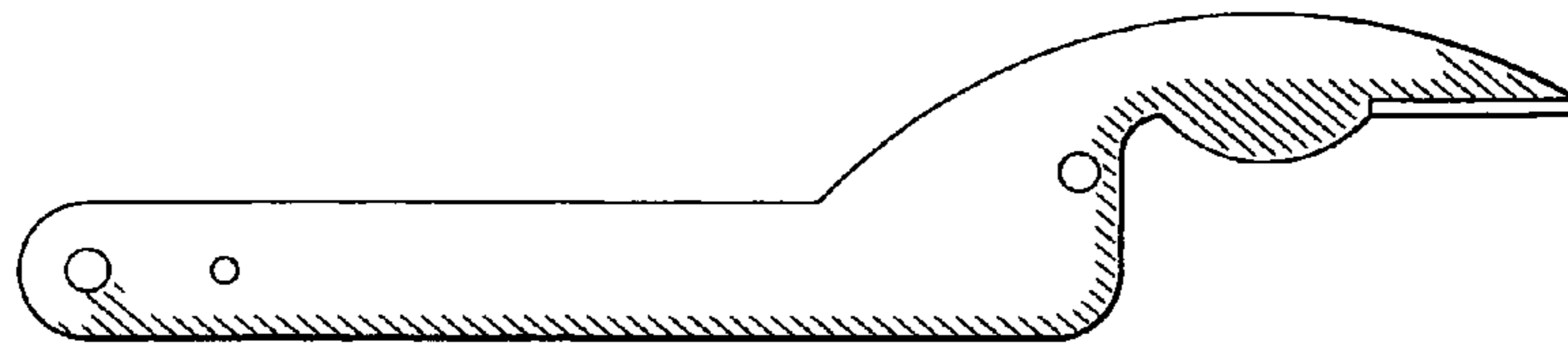


FIG. 1



FIG. 4

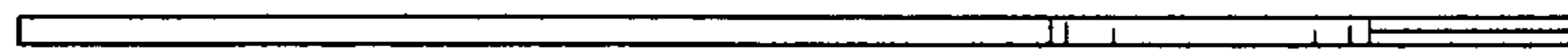


FIG. 5

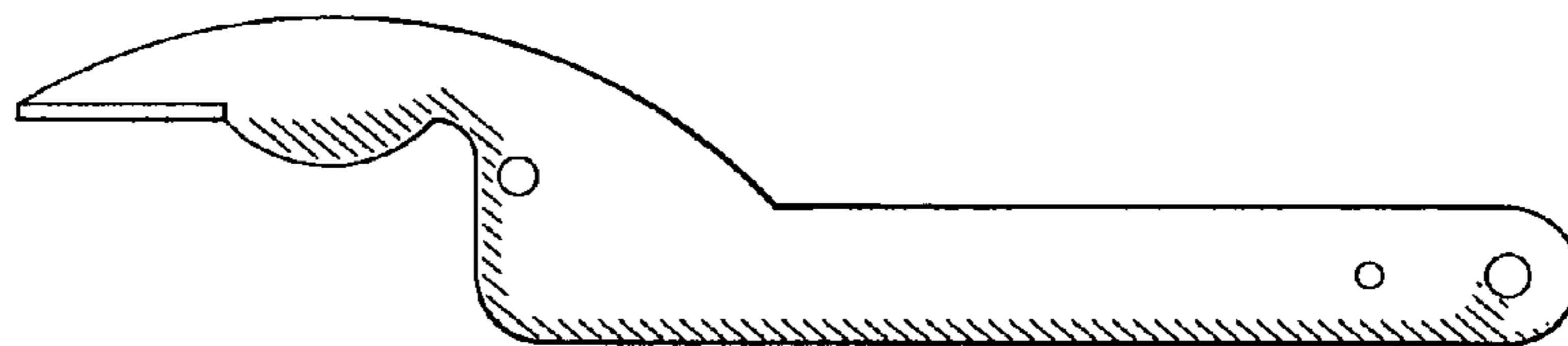


FIG. 6

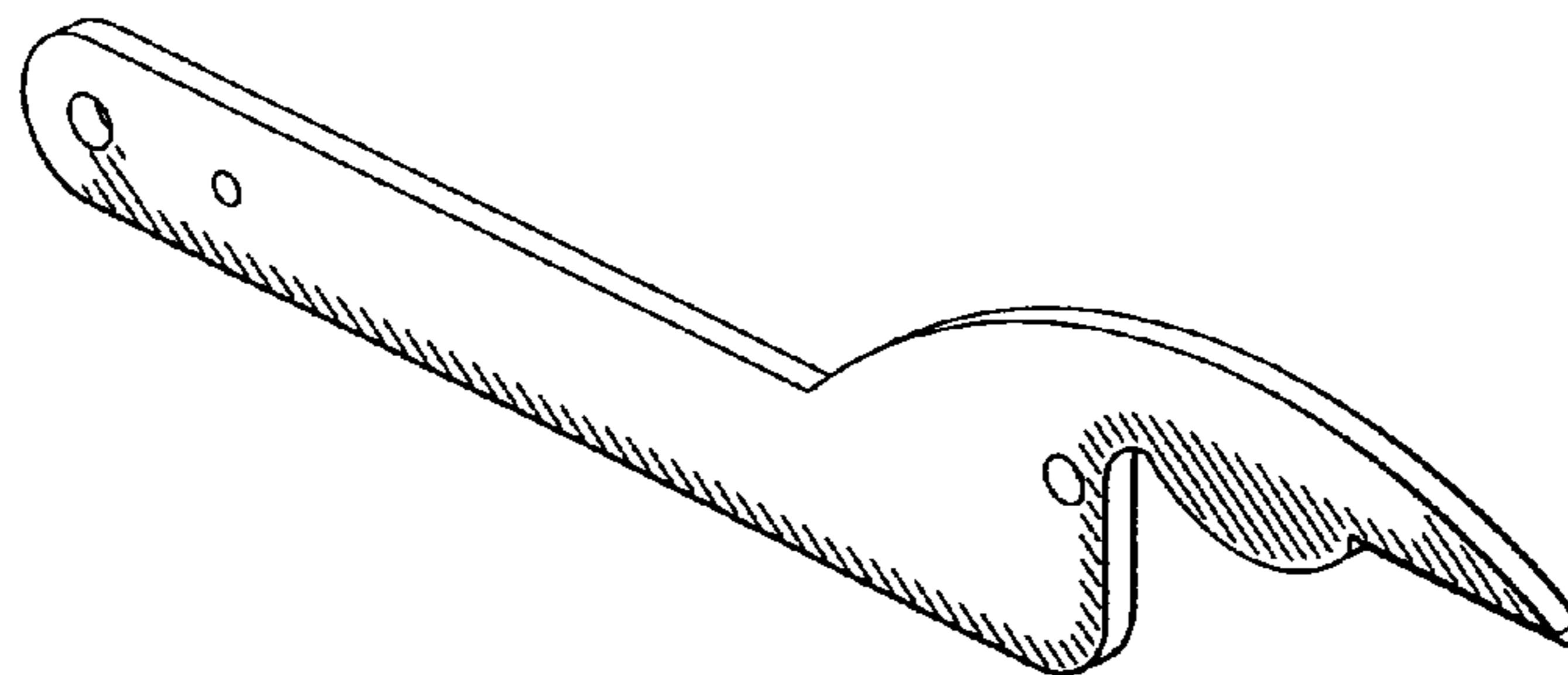


FIG. 7

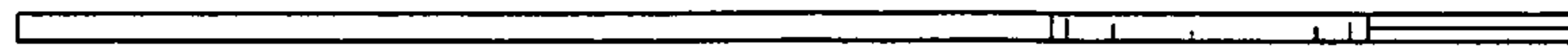


FIG. 9



FIG. 10

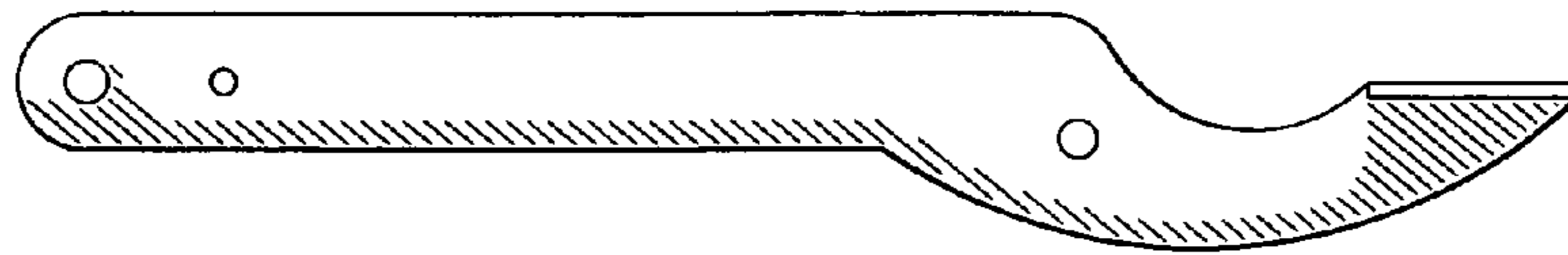


FIG. 8



FIG. 11

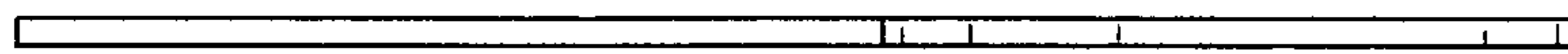


FIG. 12

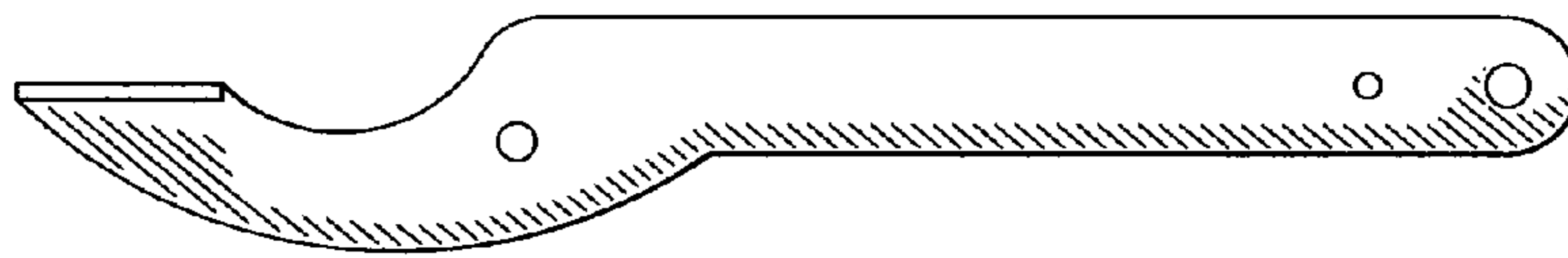


FIG. 13

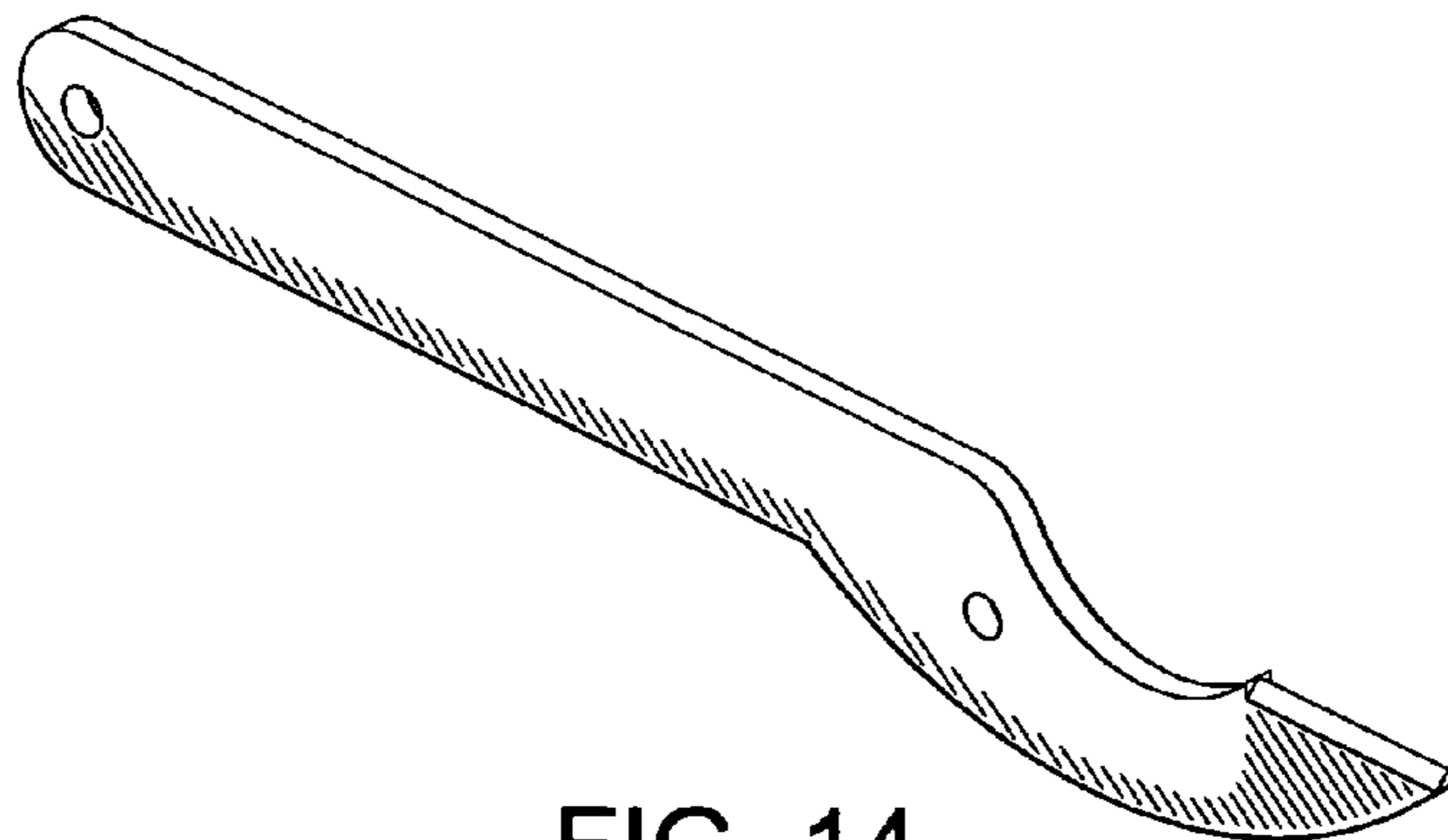


FIG. 14

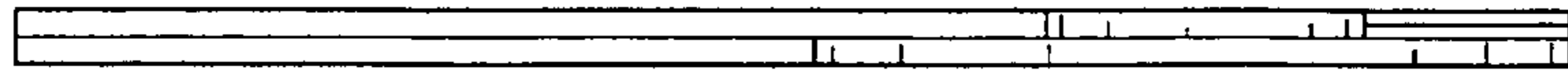


FIG. 16

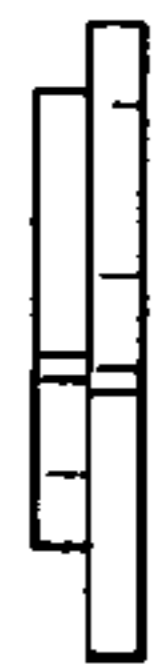


FIG. 17

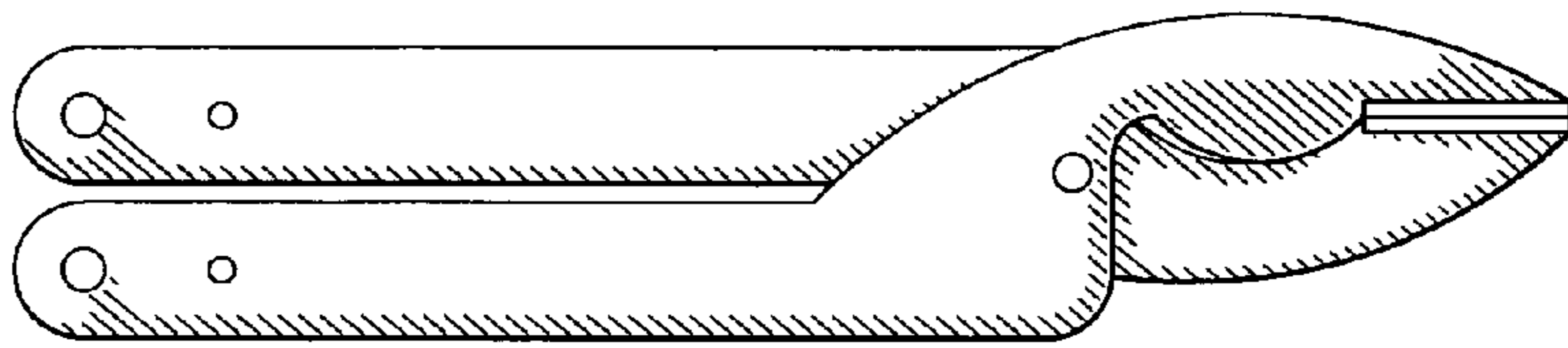


FIG. 15



FIG. 18

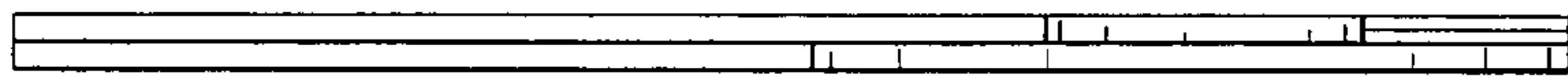


FIG. 19

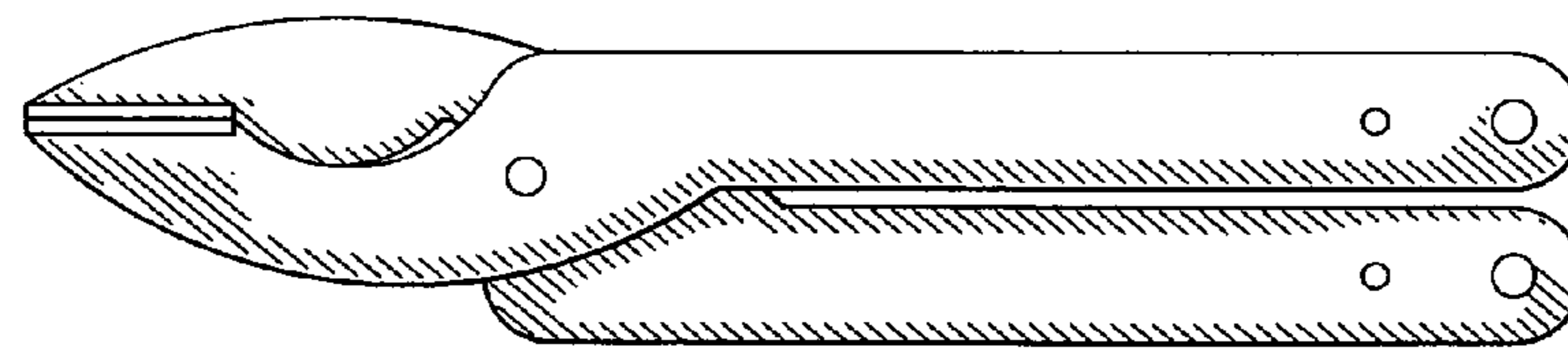


FIG. 20

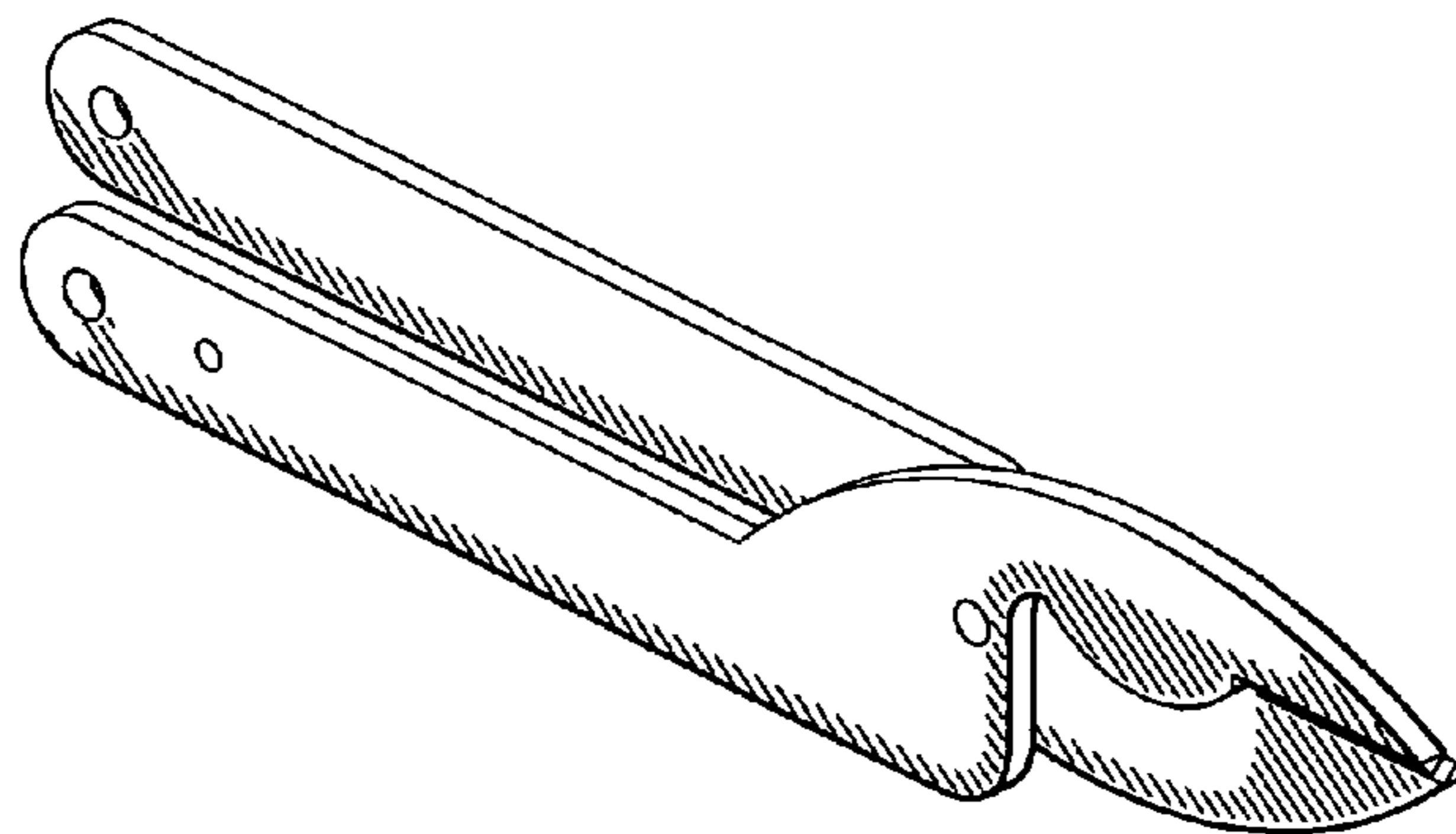


FIG. 21

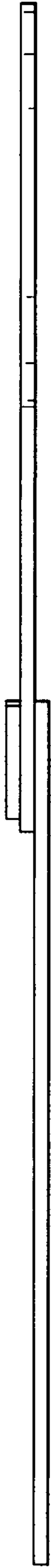


FIG. 23

FIG. 25

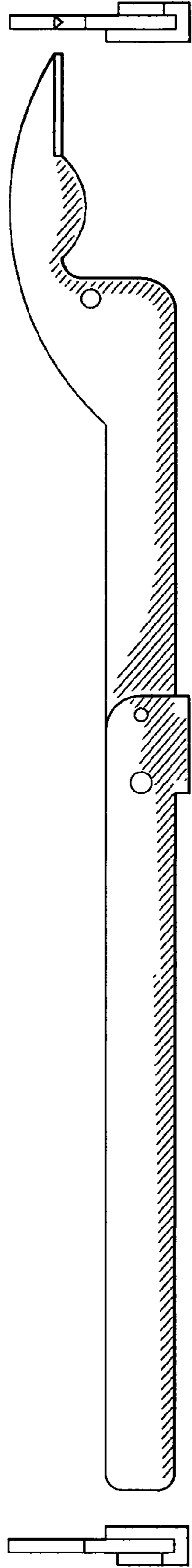


FIG. 24

FIG. 22



FIG. 26

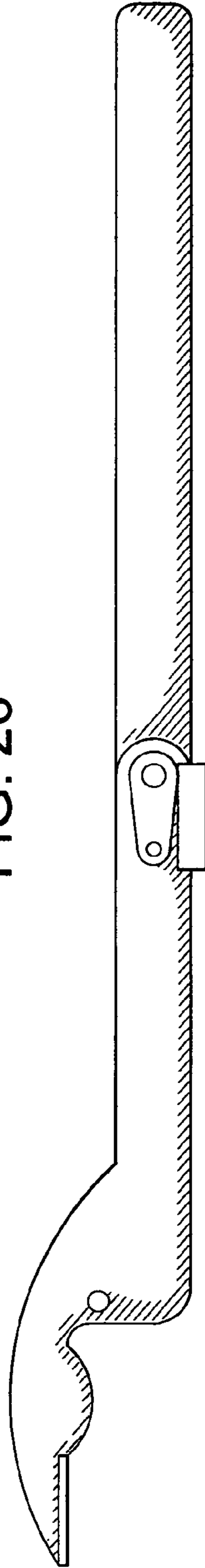


FIG. 27



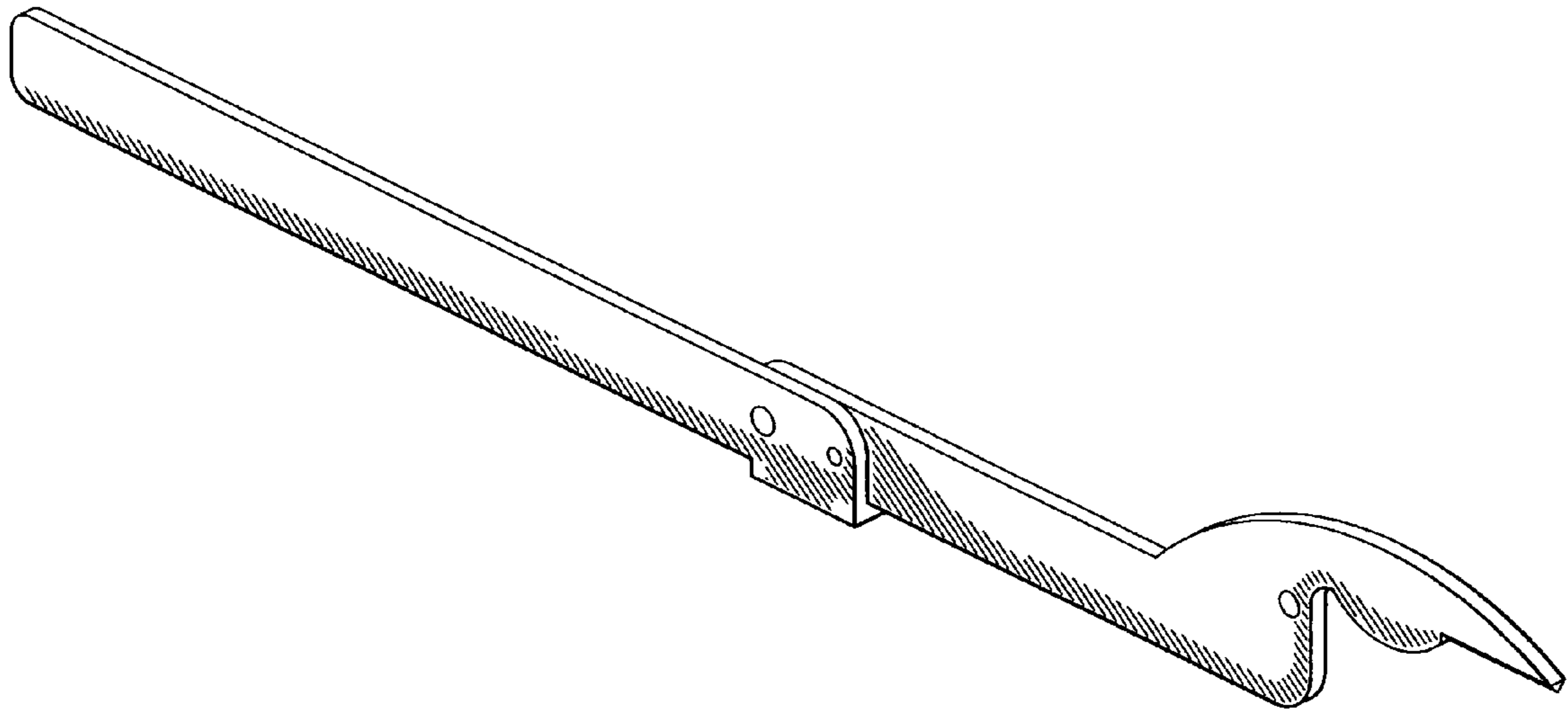


FIG. 28

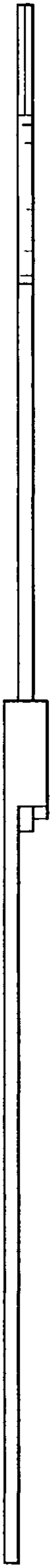


FIG. 30

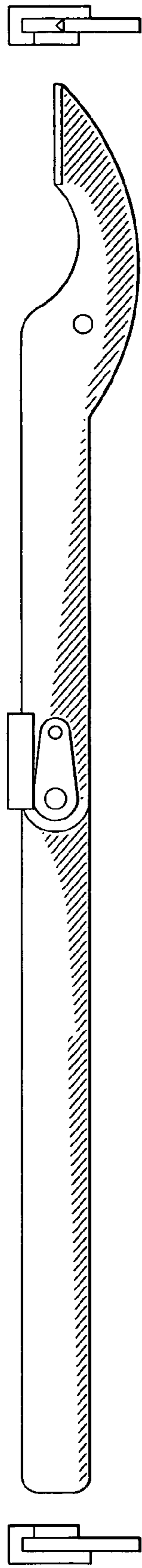


FIG. 31

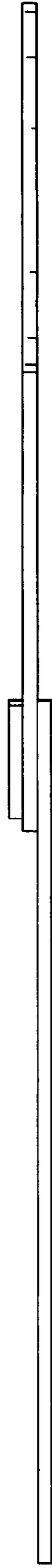


FIG. 32

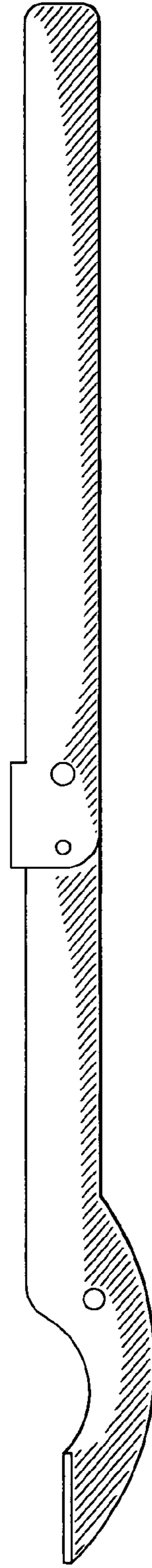


FIG. 33



FIG. 34

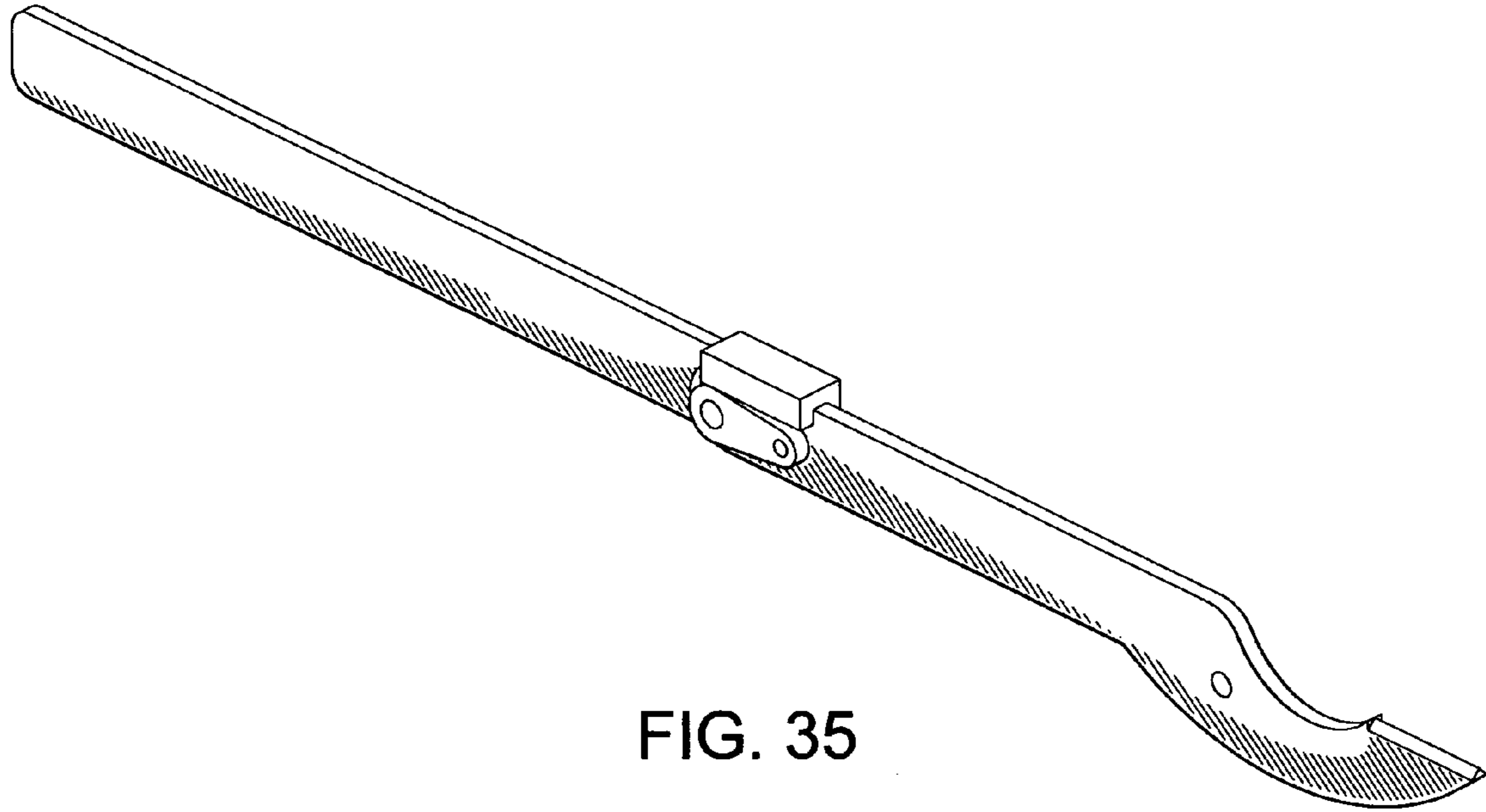


FIG. 35