



US00D589113S

(12) **United States Design Patent**  
**Perry**

(10) **Patent No.:** **US D589,113 S**  
(45) **Date of Patent:** **\*\* Mar. 24, 2009**

(54) **FISHING POLE HOLDER**

D374,062 S \* 9/1996 Carter ..... D22/147

(76) Inventor: **Manuel Perry**, 255 Weyer Rd., Modesto,  
CA (US) 95357

\* cited by examiner

*Primary Examiner*—Catherine R Oliver  
(74) *Attorney, Agent, or Firm*—Frederick Gotha

(\*\*) Term: **14 Years**

(21) Appl. No.: **29/308,718**

(57) **CLAIM**

(22) Filed: **Jul. 1, 2008**

The ornamental design for a fishing pole holder, as shown and described.

(51) **LOC (9) Cl.** ..... **22-05**

(52) **U.S. Cl.** ..... **D22/147**

(58) **Field of Classification Search** ..... D22/147–148,  
D22/137–139; 43/21.2; 248/156, 512, 532–533,  
248/520, 538–539

**DESCRIPTION**

See application file for complete search history.

FIG. 1 is a Perspective view of a fishing pole holder showing my new design where the broken lines form no part of the new design;

FIG. 2 is a front elevational view of my new design;

FIG. 3 is a right side elevational view of my new design;

FIG. 4 is a rear view of my new design;

FIG. 5 is a left side elevational view of my new design;

FIG. 6 is a top view of my new design shown in FIG. 1; and,

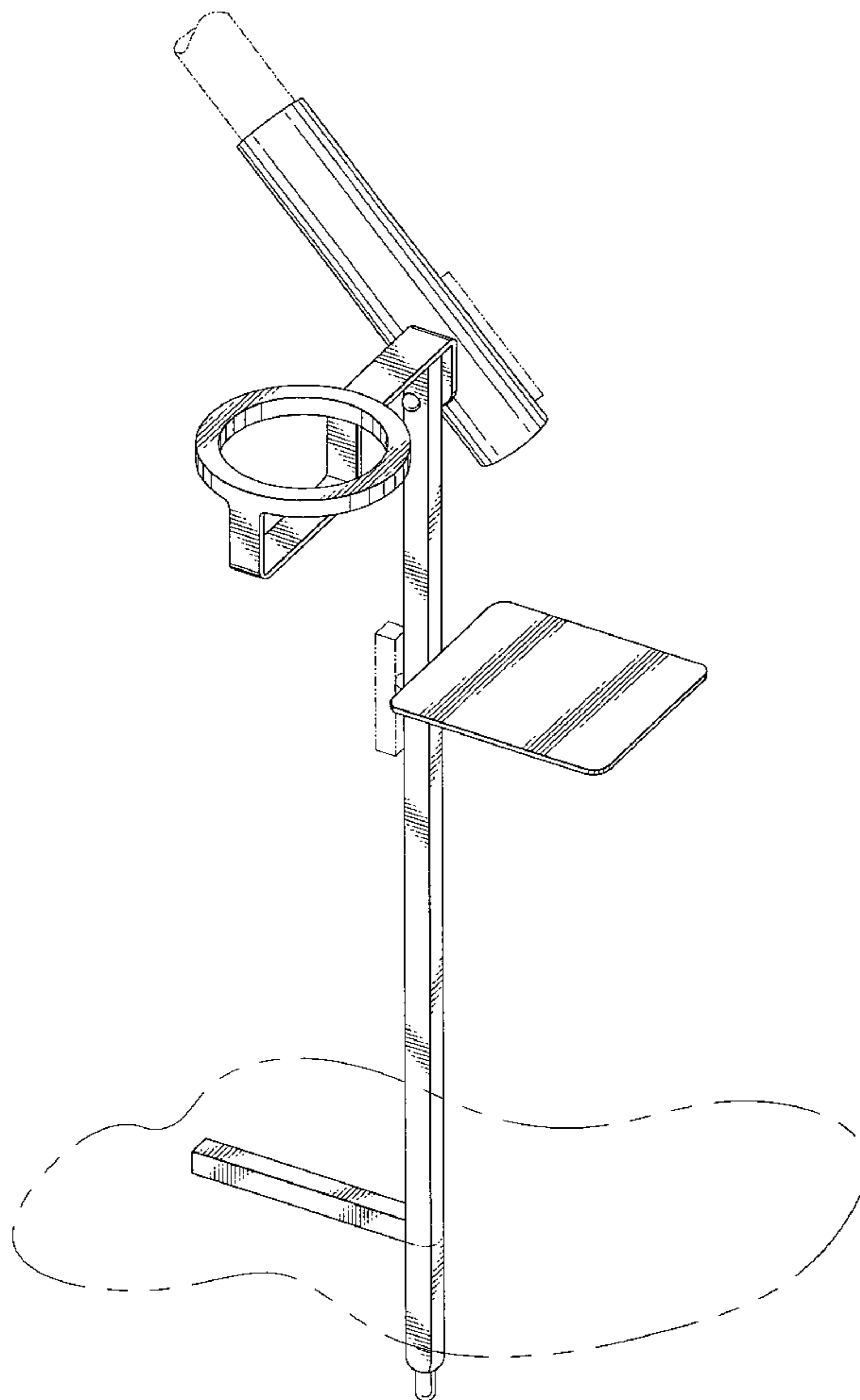
FIG. 7 is a bottom view of my new design shown in FIG. 1.

(56) **References Cited**

**U.S. PATENT DOCUMENTS**

- 1,654,876 A \* 1/1928 Hemming ..... 43/21.2
- 2,908,099 A \* 10/1959 Burke ..... D22/148
- D219,971 S \* 2/1971 Bennett ..... D22/147

**1 Claim, 6 Drawing Sheets**



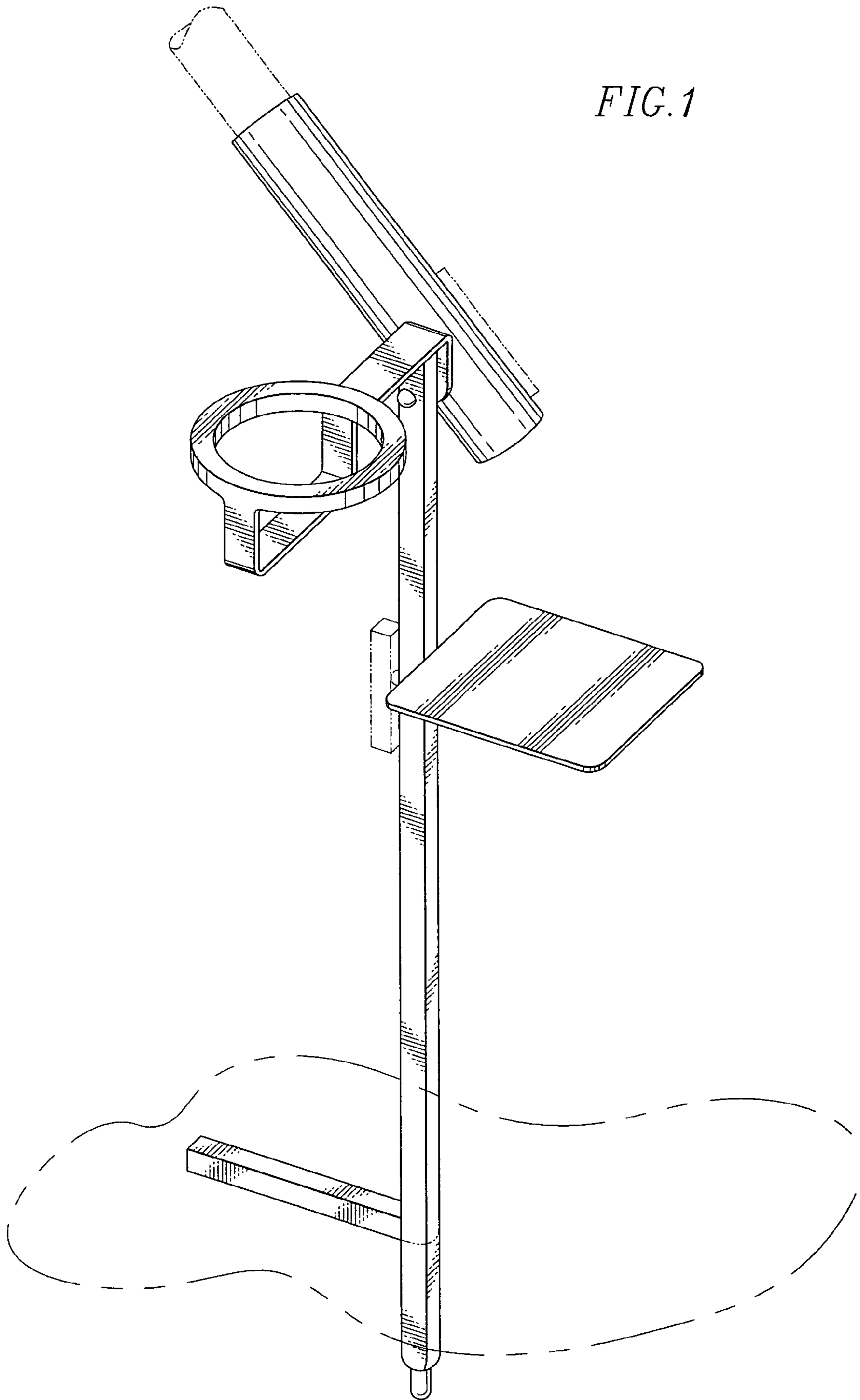


FIG. 1

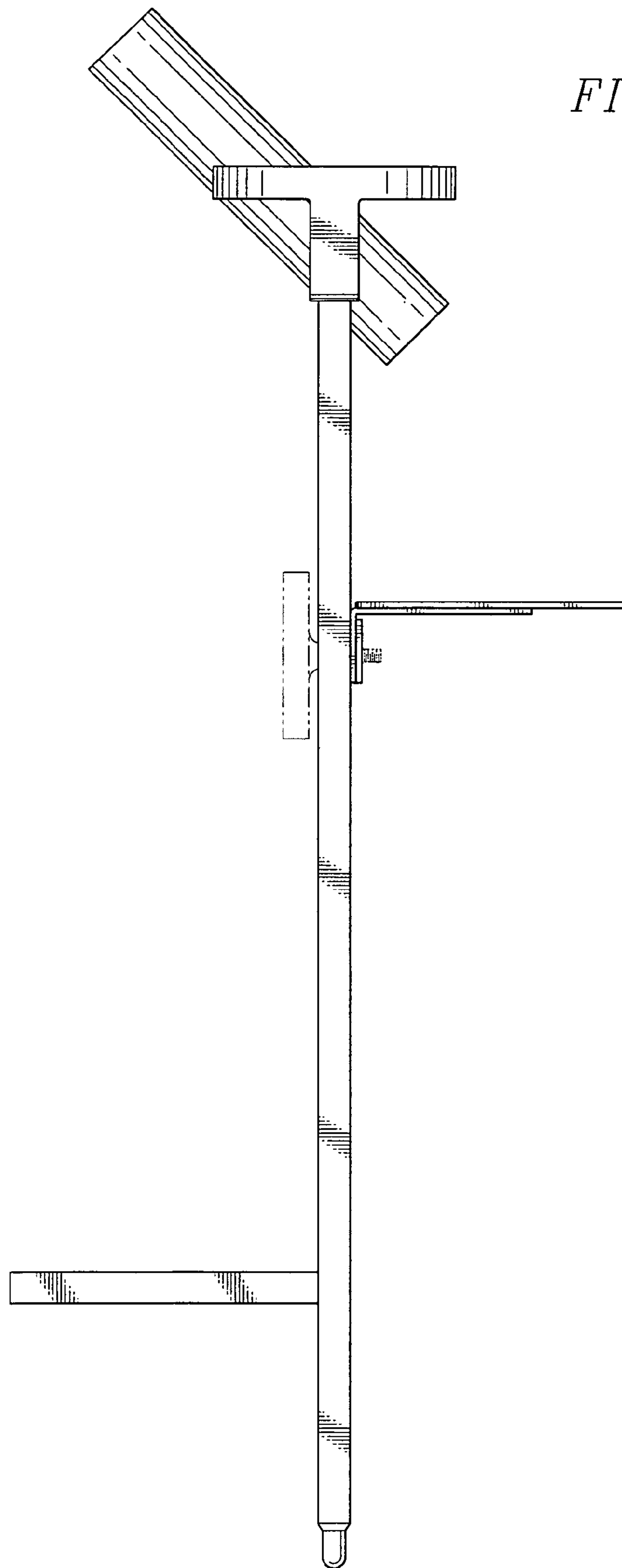


FIG. 2

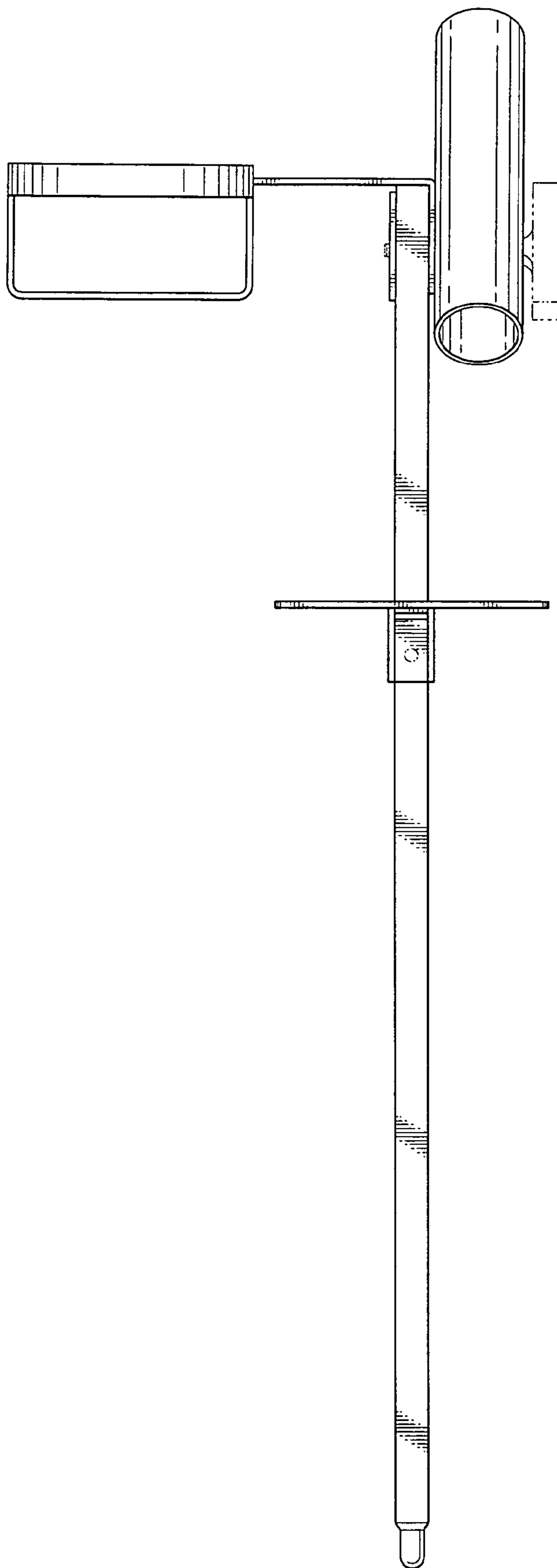


FIG. 3

FIG. 4

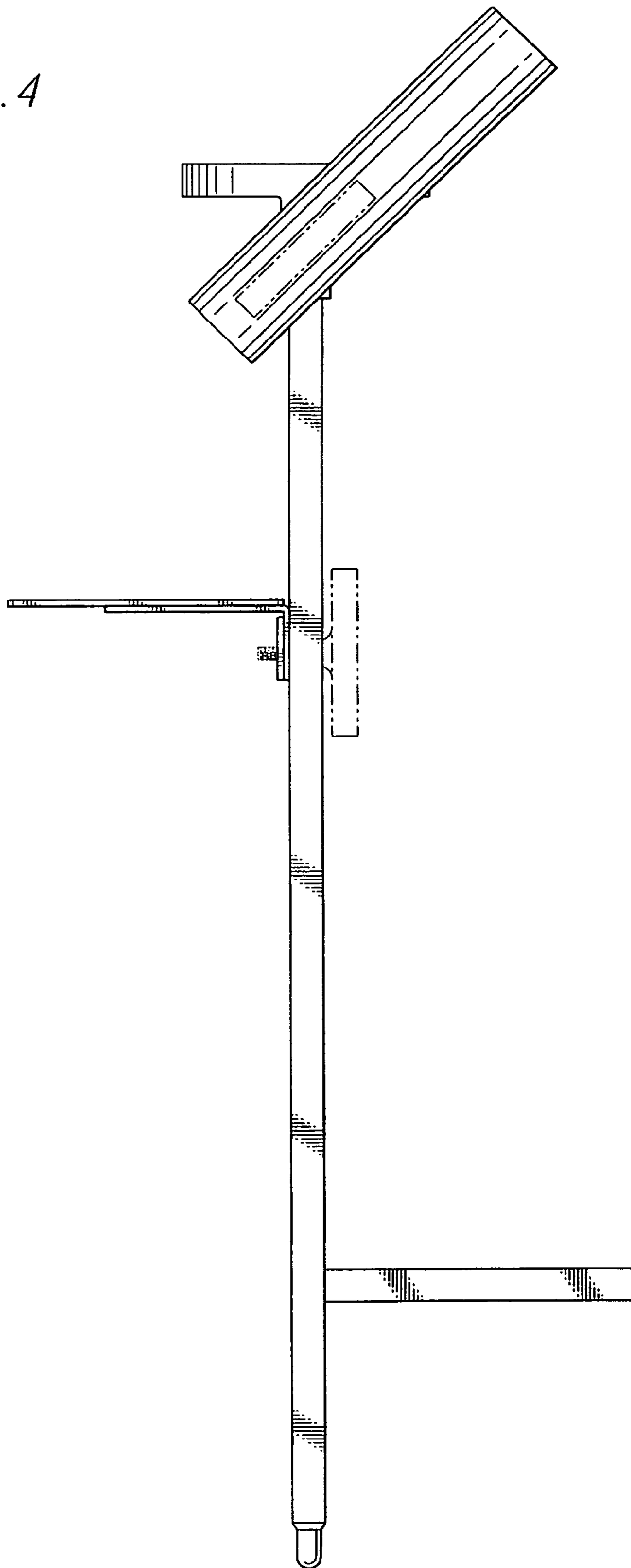


FIG. 5

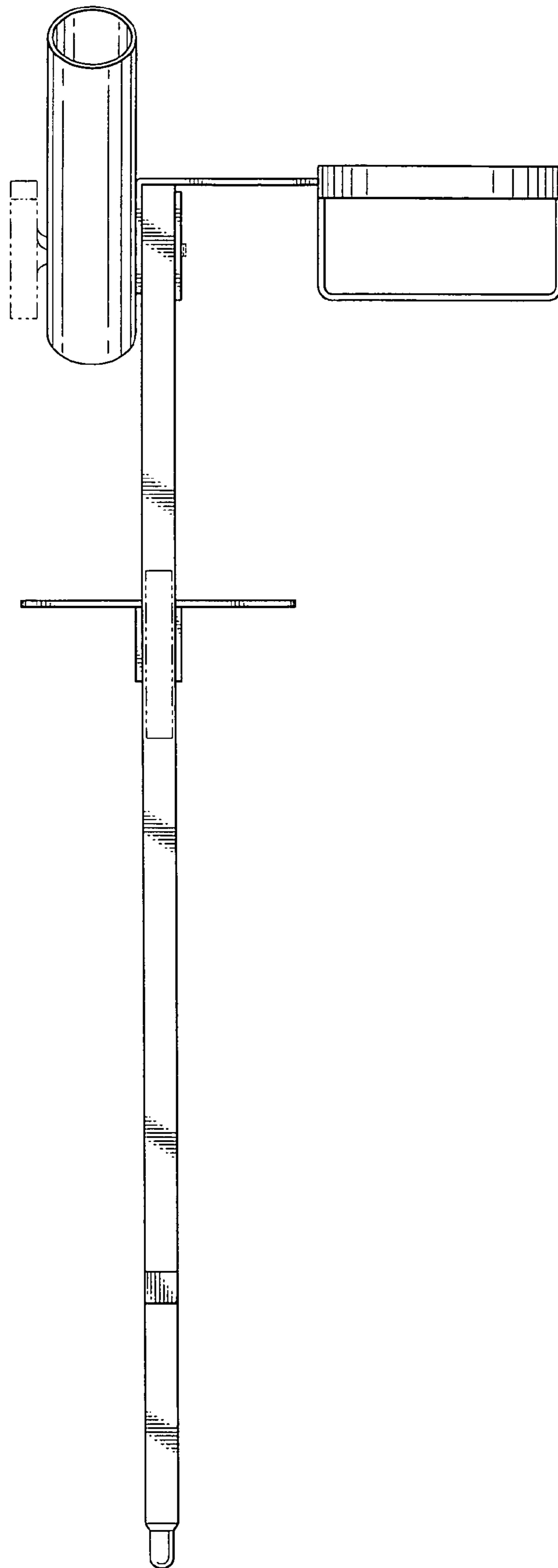


FIG. 6

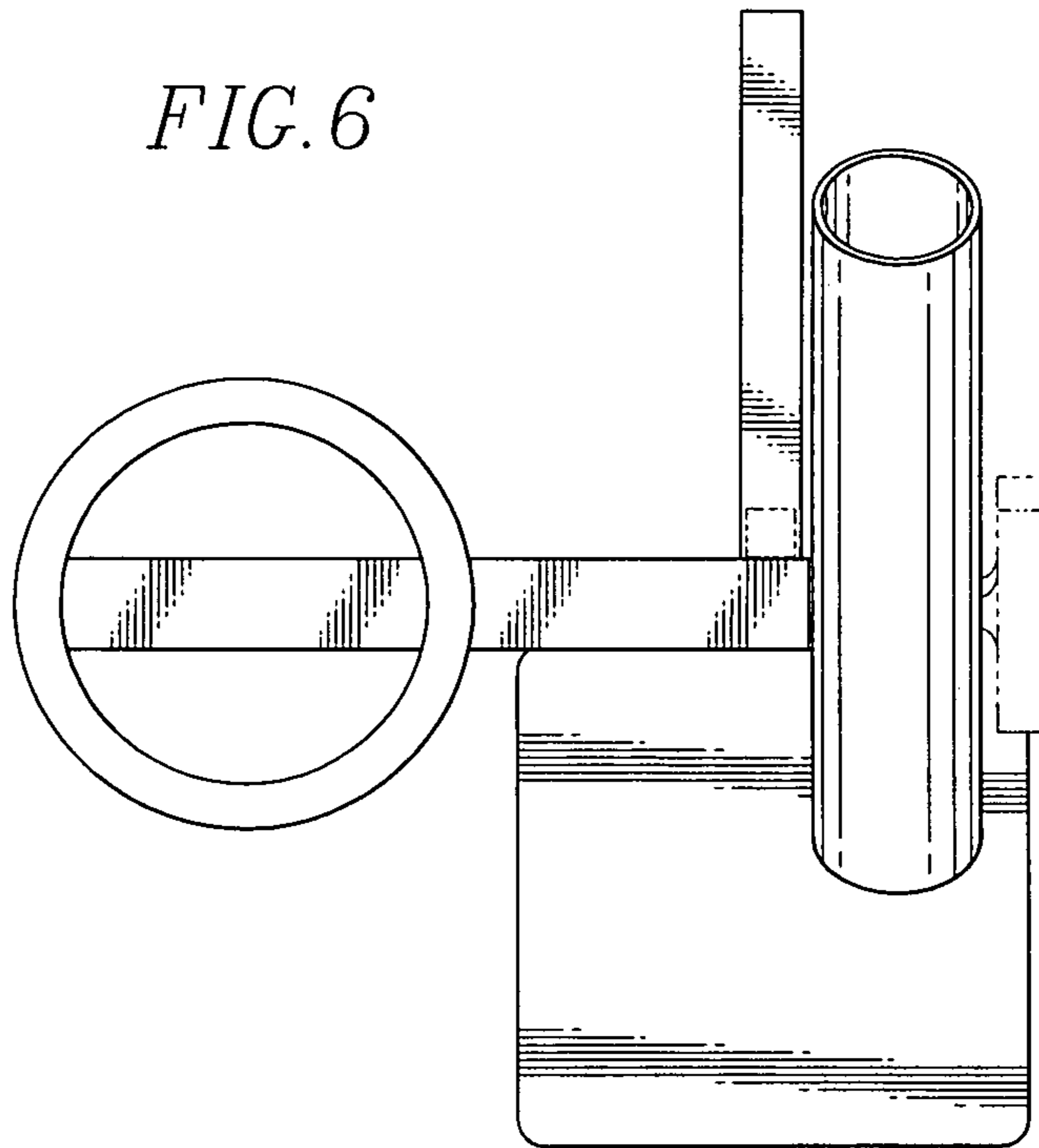


FIG. 7

