

US00D589112S

(12) **United States Design Patent**
Lin

(10) **Patent No.:** **US D589,112 S**

(45) **Date of Patent:** **** Mar. 24, 2009**

(54) **FISHING ROD REEL SEAT**

(76) **Inventor:** **Yi-Te Lin**, No. 6, Sinle Road, South District, Tainan City 702 (TW)

(**) **Term:** **14 Years**

(21) **Appl. No.:** **29/324,801**

(22) **Filed:** **Sep. 21, 2008**

(51) **LOC (9) Cl.** **22-05**

(52) **U.S. Cl.** **D22/142**

(58) **Field of Classification Search** D22/137-142;
43/18.1, 22-23

See application file for complete search history.

(56) **References Cited**

U.S. PATENT DOCUMENTS

D321,744 S *	11/1991	Naeki et al.	D22/142
D456,875 S *	5/2002	Rajeff	D22/142
D516,665 S *	3/2006	Lin	D22/142
2005/0000145 A1 *	1/2005	Ohmura et al.	43/22

* cited by examiner

Primary Examiner—Catherine R Oliver
(74) *Attorney, Agent, or Firm*—Banger Shia

(57) **CLAIM**

The ornamental design for a fishing rod reel seat, as shown and described.

DESCRIPTION

FIG. 1 is a perspective view of a fishing rod reel seat showing my new design;

FIG. 2 is a front elevation view thereof;

FIG. 3 is a rear elevation view thereof;

FIG. 4 is a left side elevation view thereof;

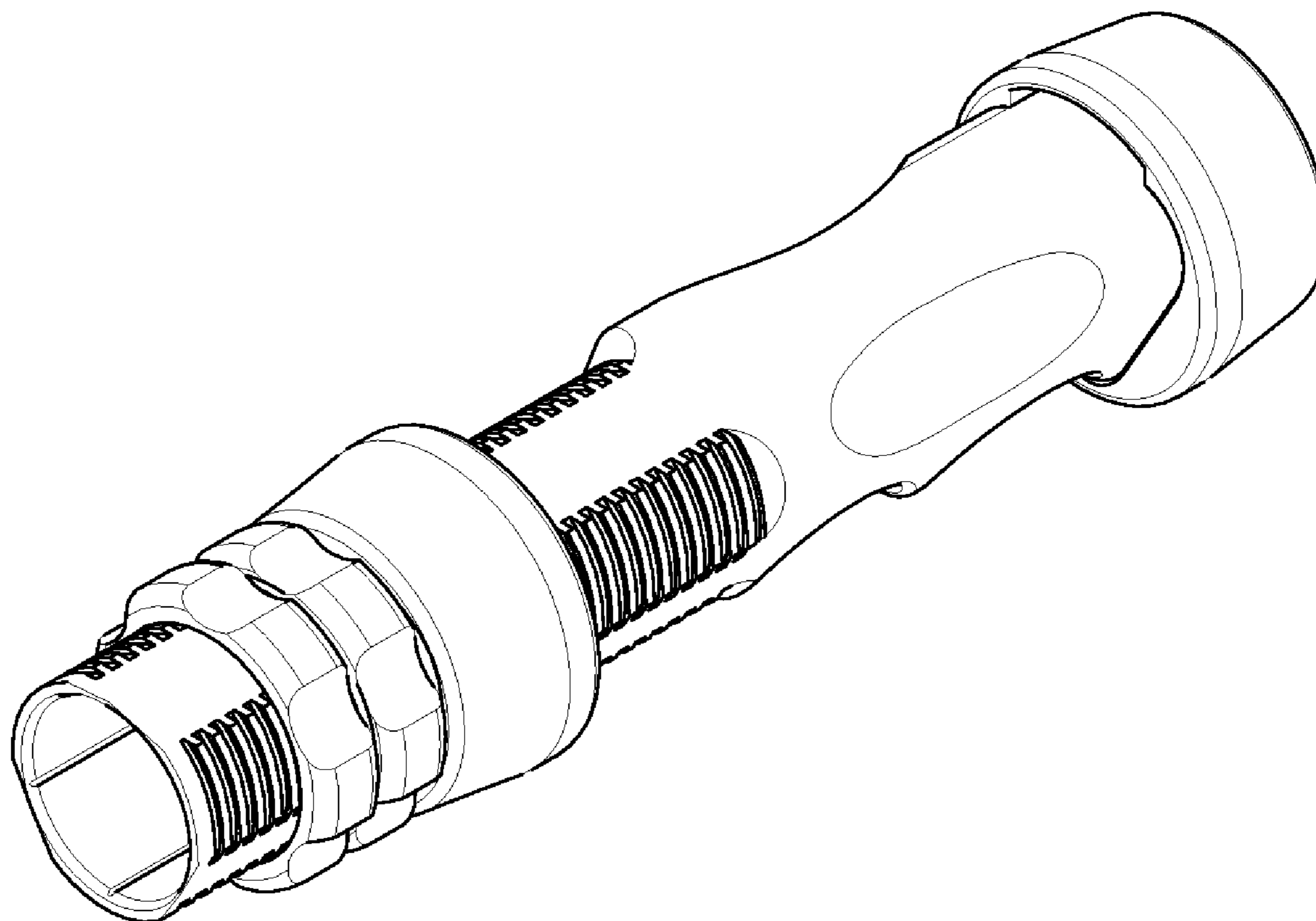
FIG. 5 is a right side elevation view thereof;

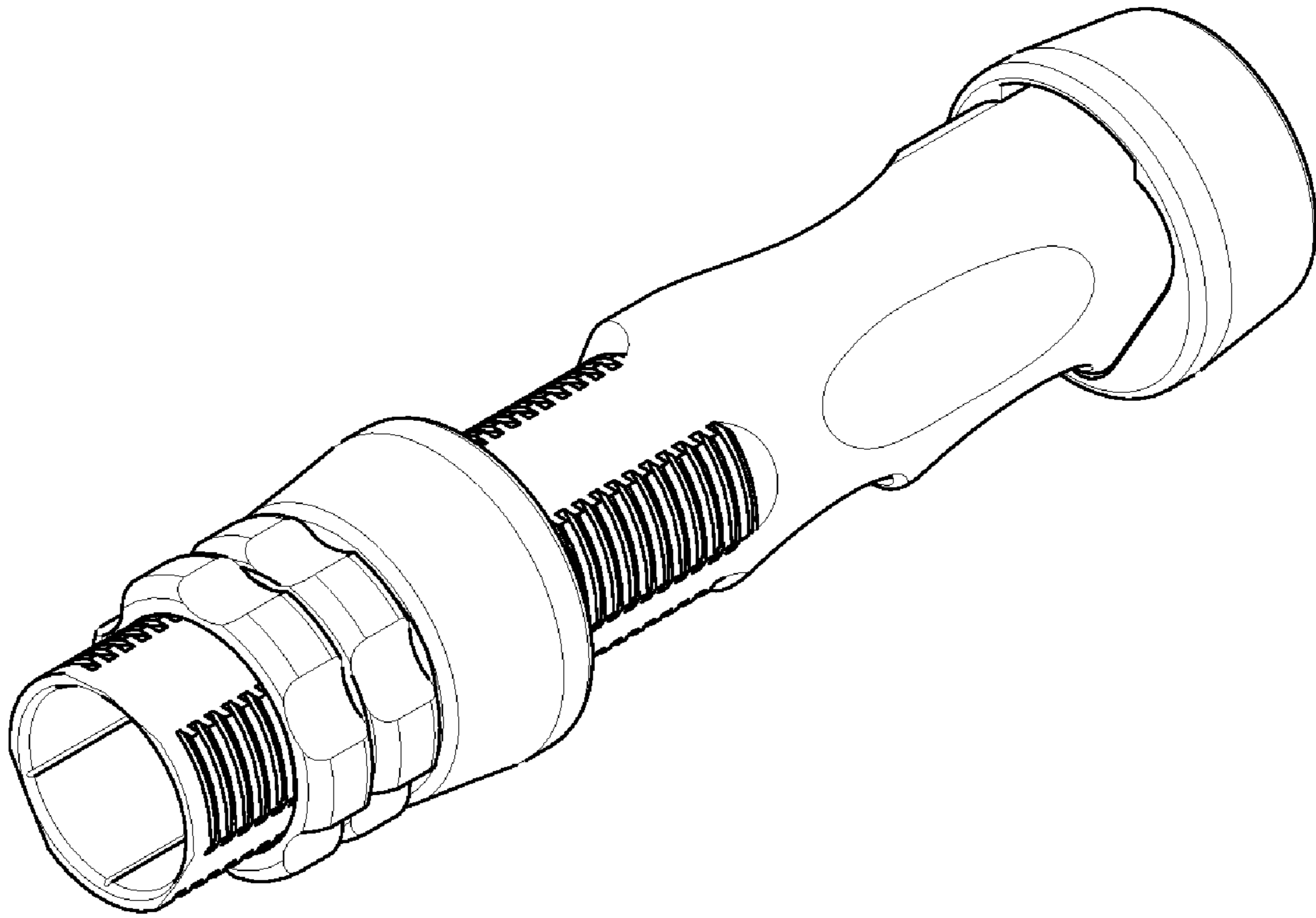
FIG. 6 is a top plan view thereof;

FIG. 7 is a bottom plan view thereof; and,

FIG. 8 is a bottom perspective view of a fishing rod reel seat.

1 Claim, 7 Drawing Sheets





F I G . 1

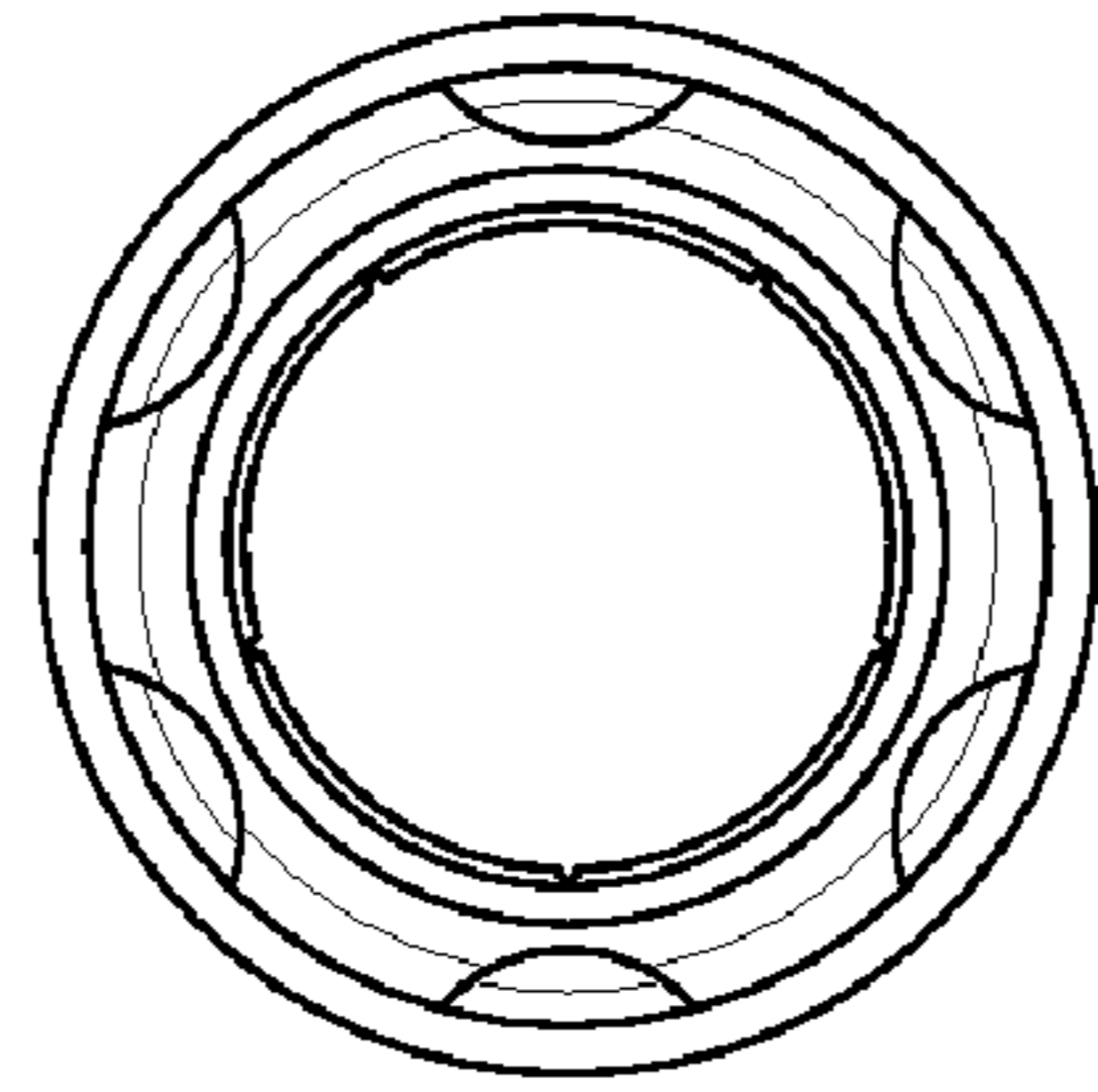


FIG. 2

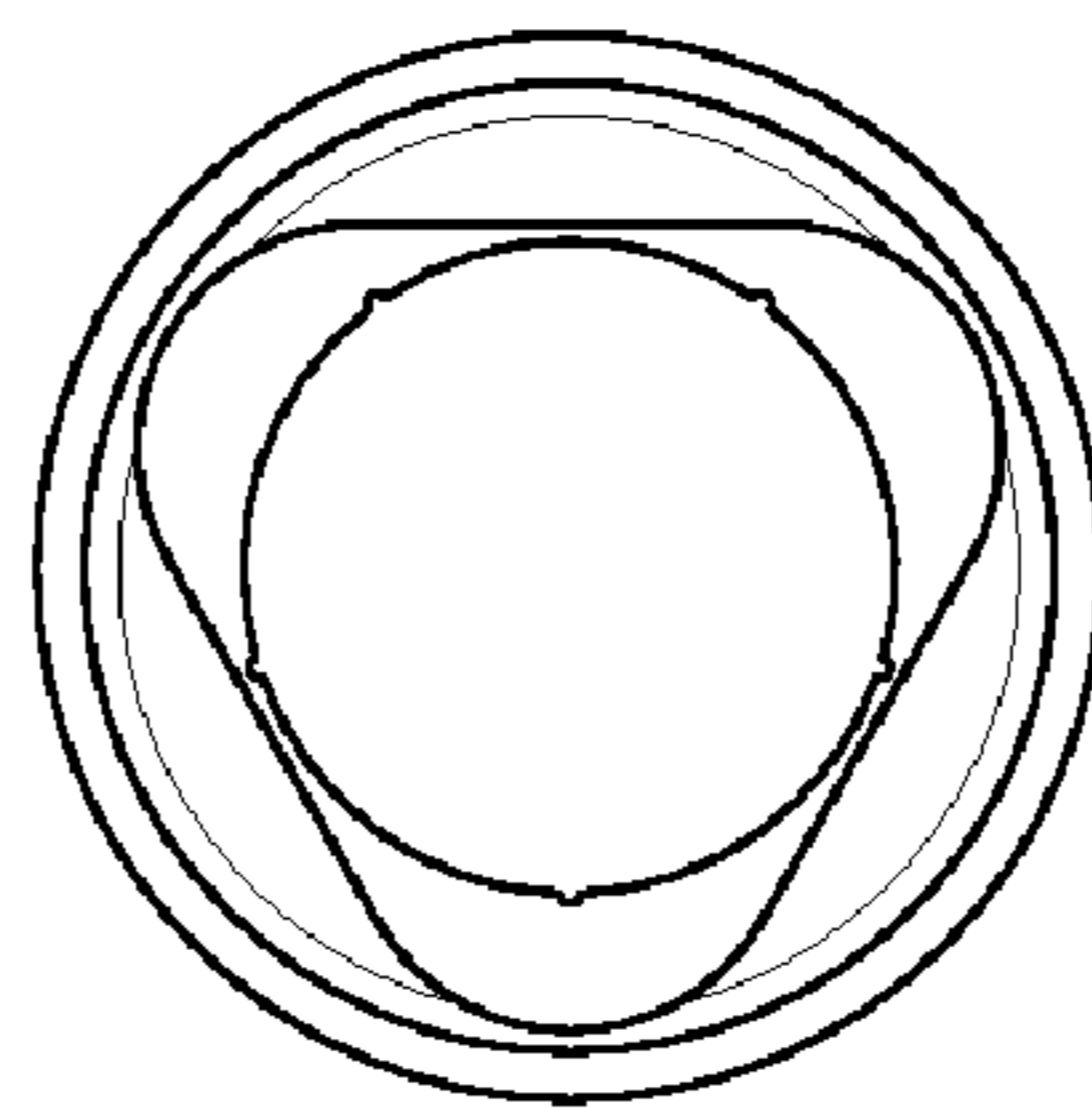


FIG. 3

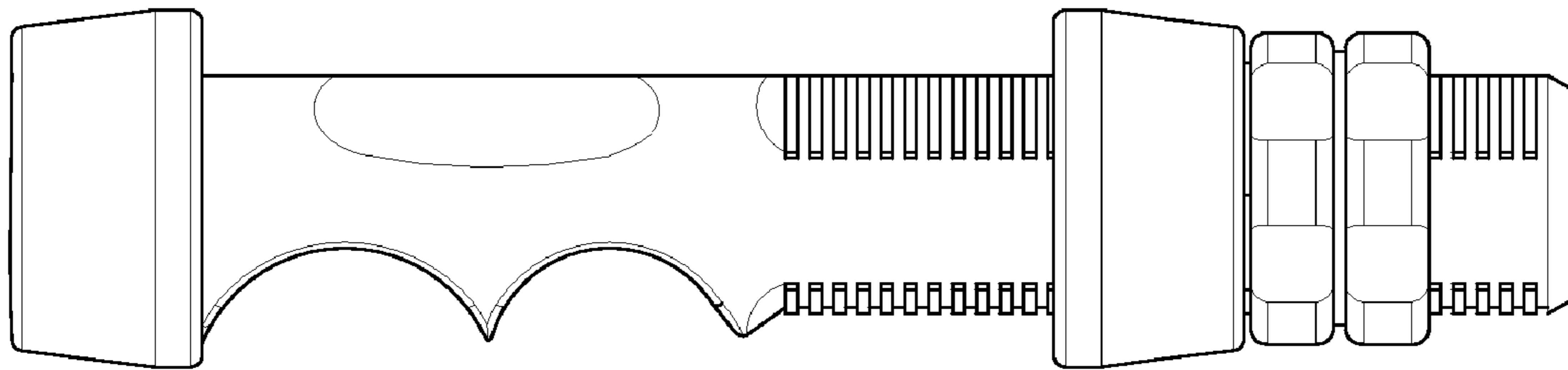


FIG. 4

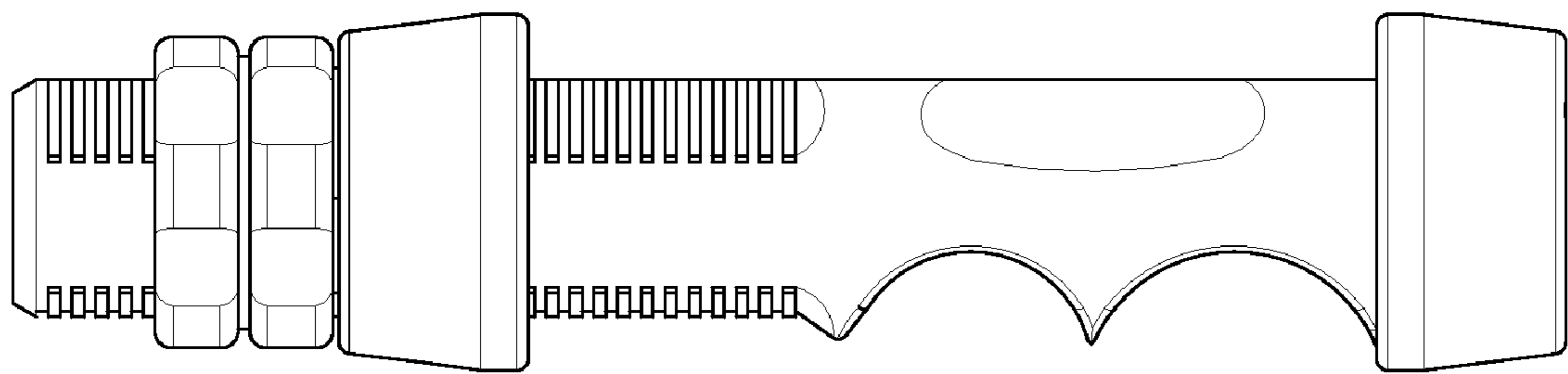
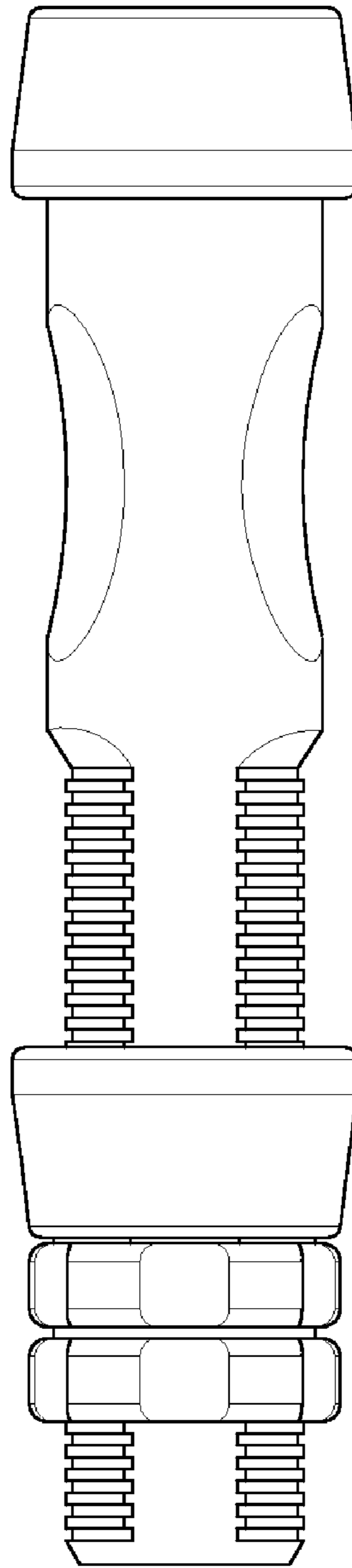


FIG. 5



F I G . 6

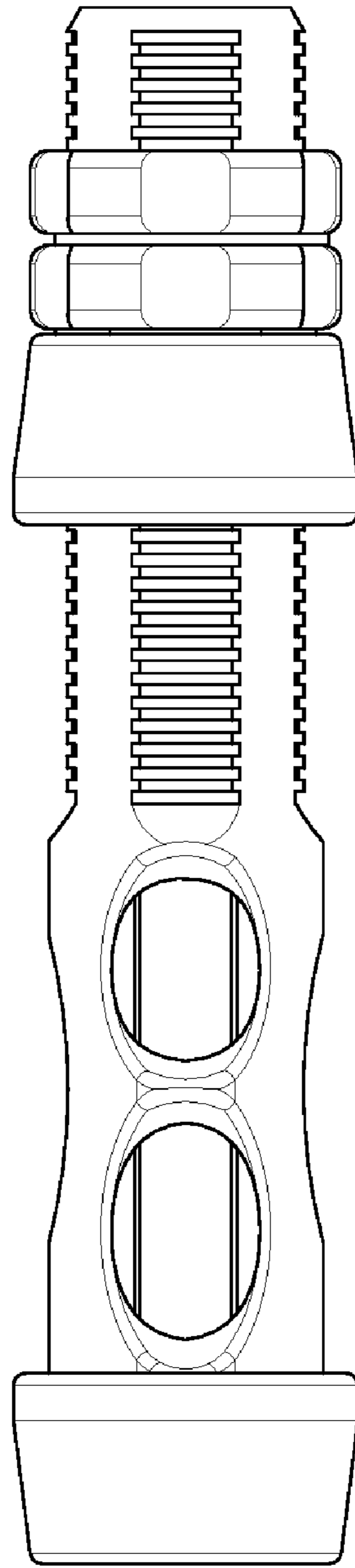
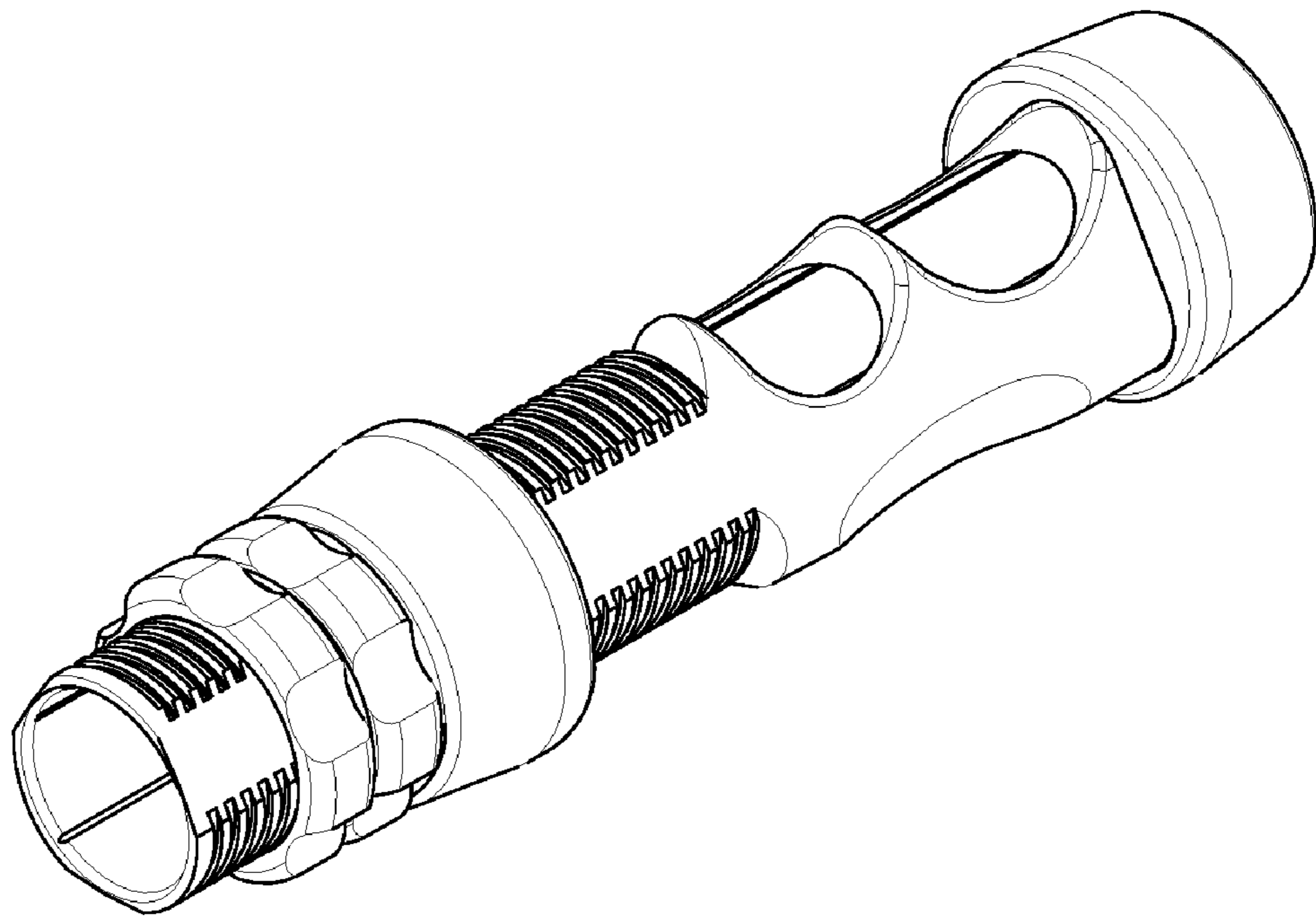


FIG. 7



F I G . 8