



US00D589111S

(12) **United States Design Patent**
Stephens et al.

(10) **Patent No.:** **US D589,111 S**

(45) **Date of Patent:** **** Mar. 24, 2009**

(54) **ROUNABOUT OR MERRY-GO-ROUND**

3,462,140 A * 8/1969 Halaj 472/18
D499,163 S * 11/2004 Stephens et al. D21/830

(75) Inventors: **Michael Stephens**, Mapperley (GB);
Andrew Albert Hodgkin, Hyde (GB);
Alistair John Williamson, Manchester
(GB)

* cited by examiner

Primary Examiner—Mitchell I Siegel
(74) *Attorney, Agent, or Firm*—Young Basile

(73) Assignee: **Wurley-Bird Limited**, Nottingham
(GB)

(57) **CLAIM**

The ornamental design for a roundabout or merry-go-round,
as shown and described.

(**) Term: **14 Years**

(21) Appl. No.: **29/280,516**

DESCRIPTION

(22) Filed: **May 30, 2007**

FIG. 1 is a perspective view of the roundabout or merry-go-round;

(51) **LOC (9) Cl.** **21-03**

FIG. 2 is a front elevational view of the roundabout or merry-go-round;

(52) **U.S. Cl.** **D21/830**

FIG. 3 is a rear elevational view of the roundabout or merry-go-round;

(58) **Field of Classification Search** D21/811,
D21/814, 830; 482/35, 36; 472/14–26, 29
See application file for complete search history.

FIG. 4 is a left side elevational view of the roundabout or merry-go-round;

(56) **References Cited**

U.S. PATENT DOCUMENTS

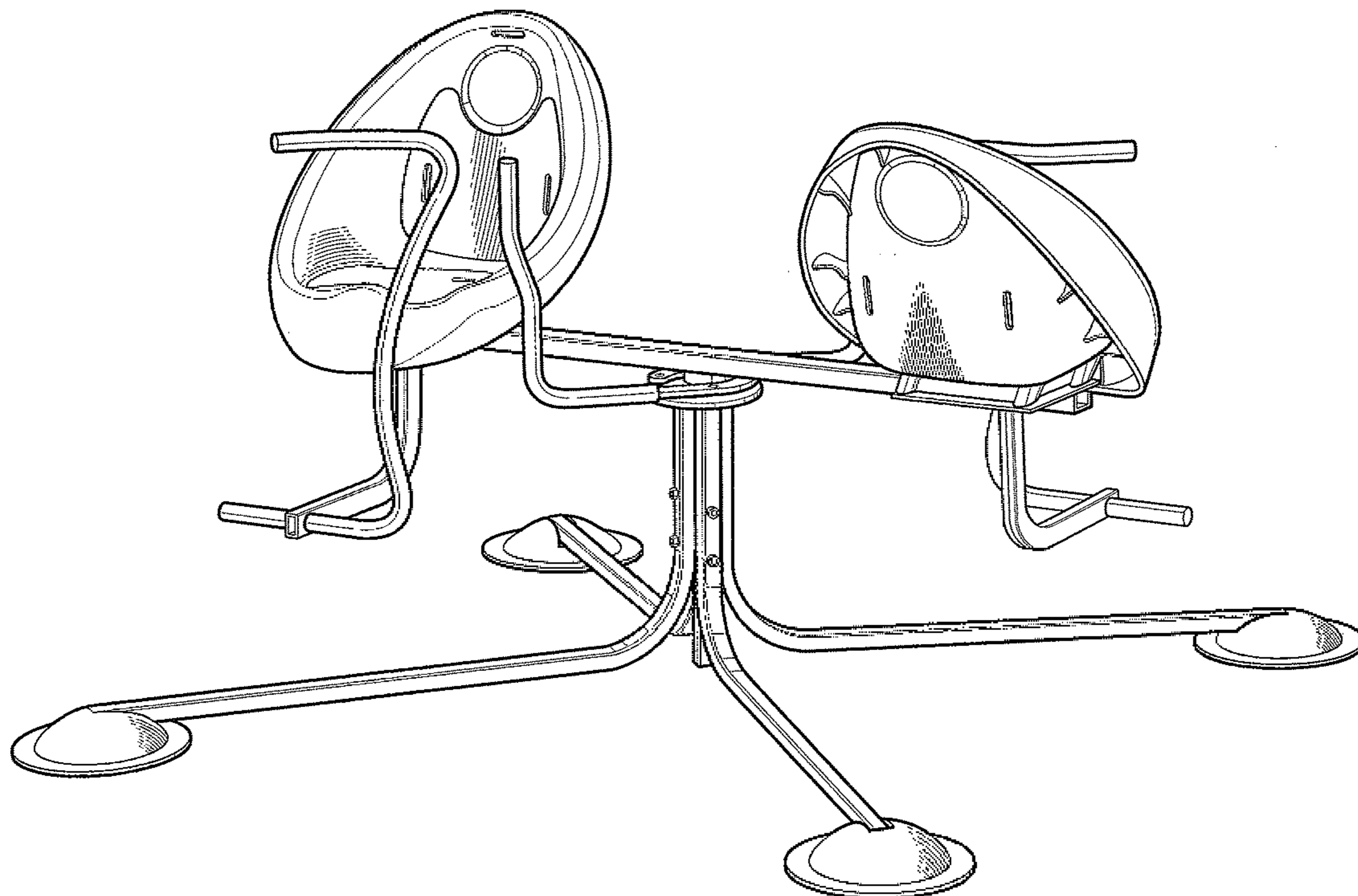
1,486,669 A * 3/1924 Kline 472/24
D145,518 S * 9/1946 Glasco D21/830
D148,889 S * 3/1948 Sebel D21/830
D149,407 S * 4/1948 Evans D21/830
D167,860 S * 9/1952 Salgo et al. D21/830
2,711,898 A * 6/1955 Iasillo 472/19
3,147,972 A * 9/1964 Borsuk 472/29

FIG. 5 is a right side elevational view of the roundabout or merry-go-round;

FIG. 6 is a top plan view of the roundabout or merry-go-round; and,

FIG. 7 is a bottom plan view of the roundabout or merry-go-round.

1 Claim, 7 Drawing Sheets



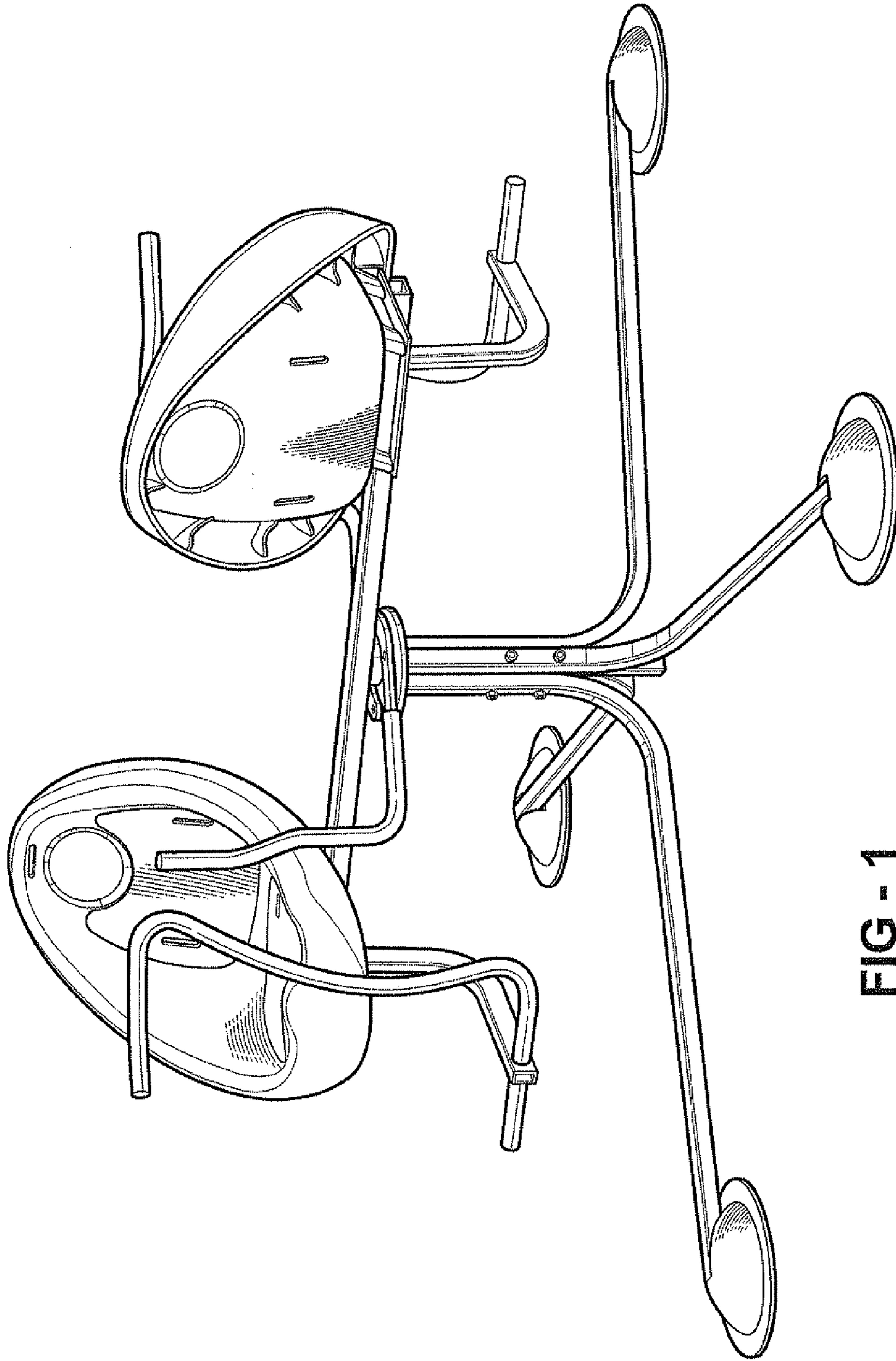


FIG - 1

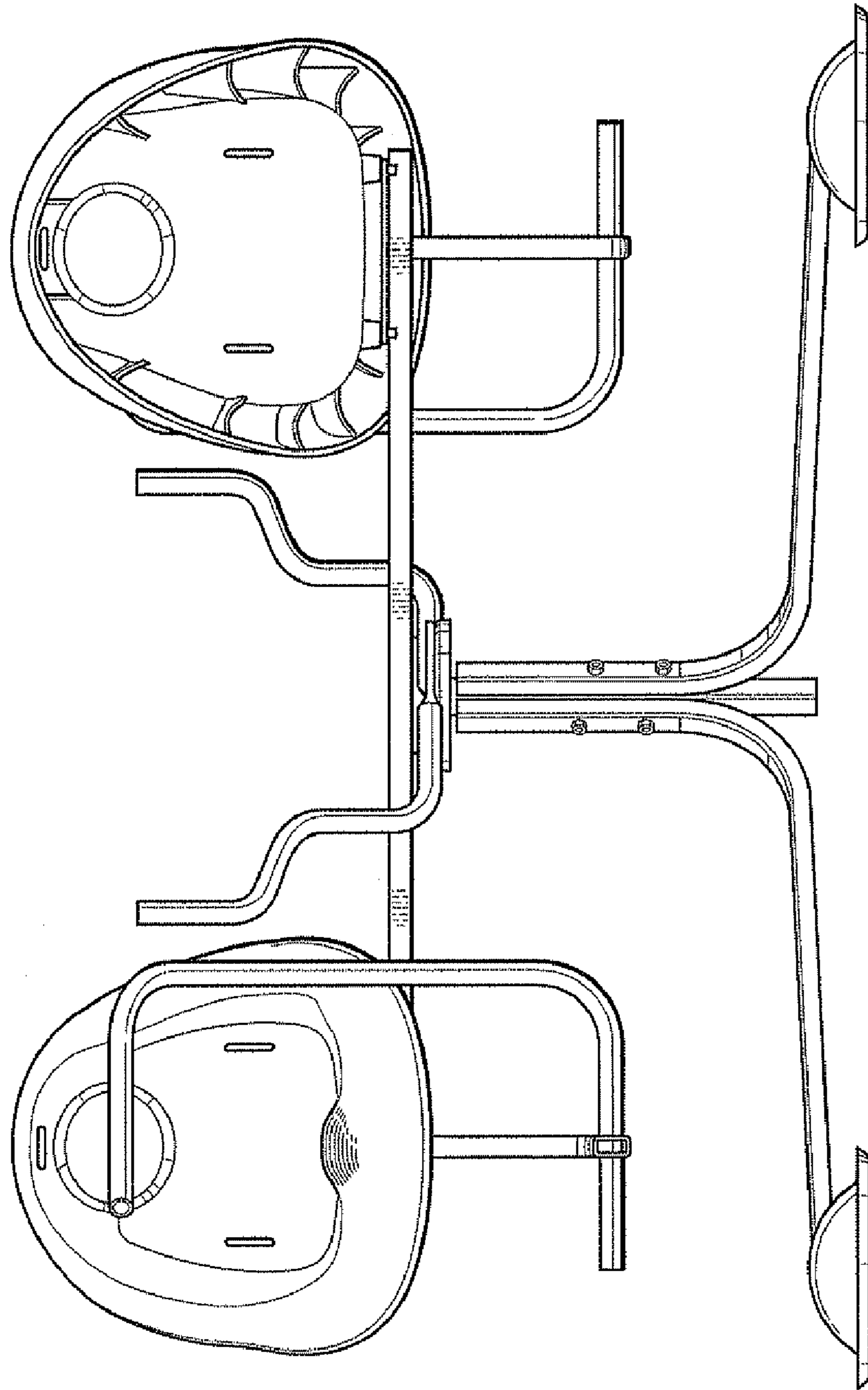


FIG - 2

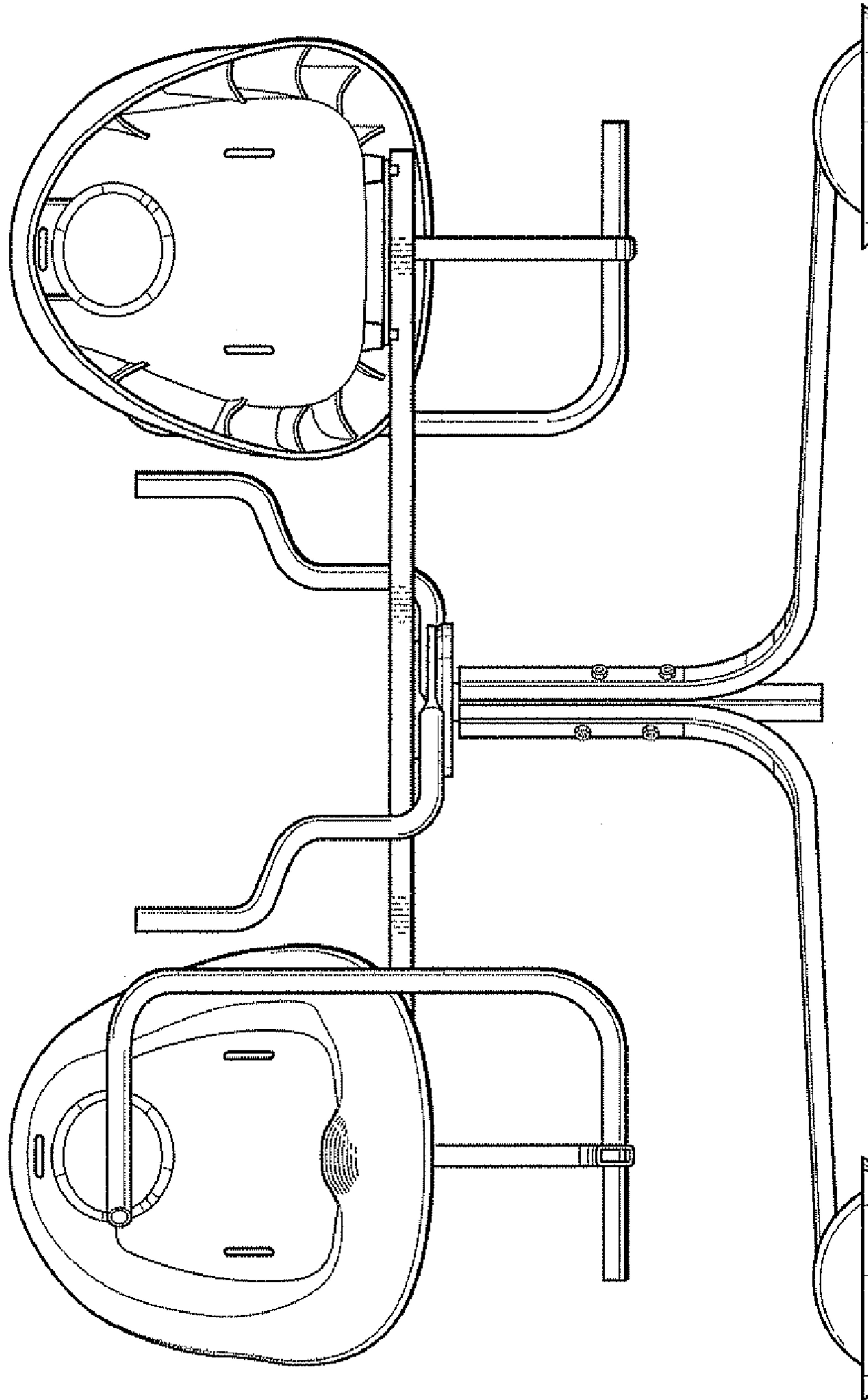


FIG - 3

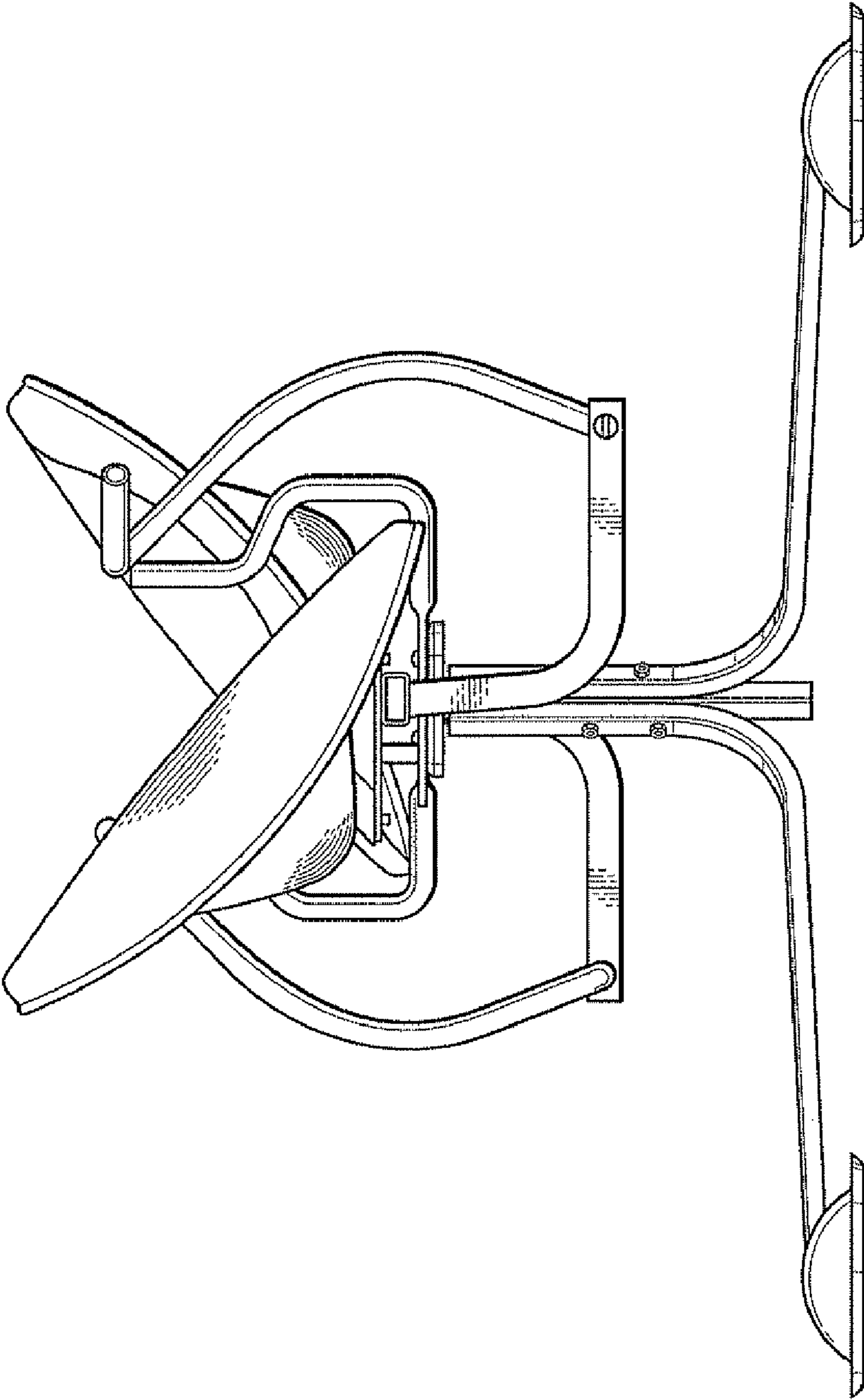


FIG - 4

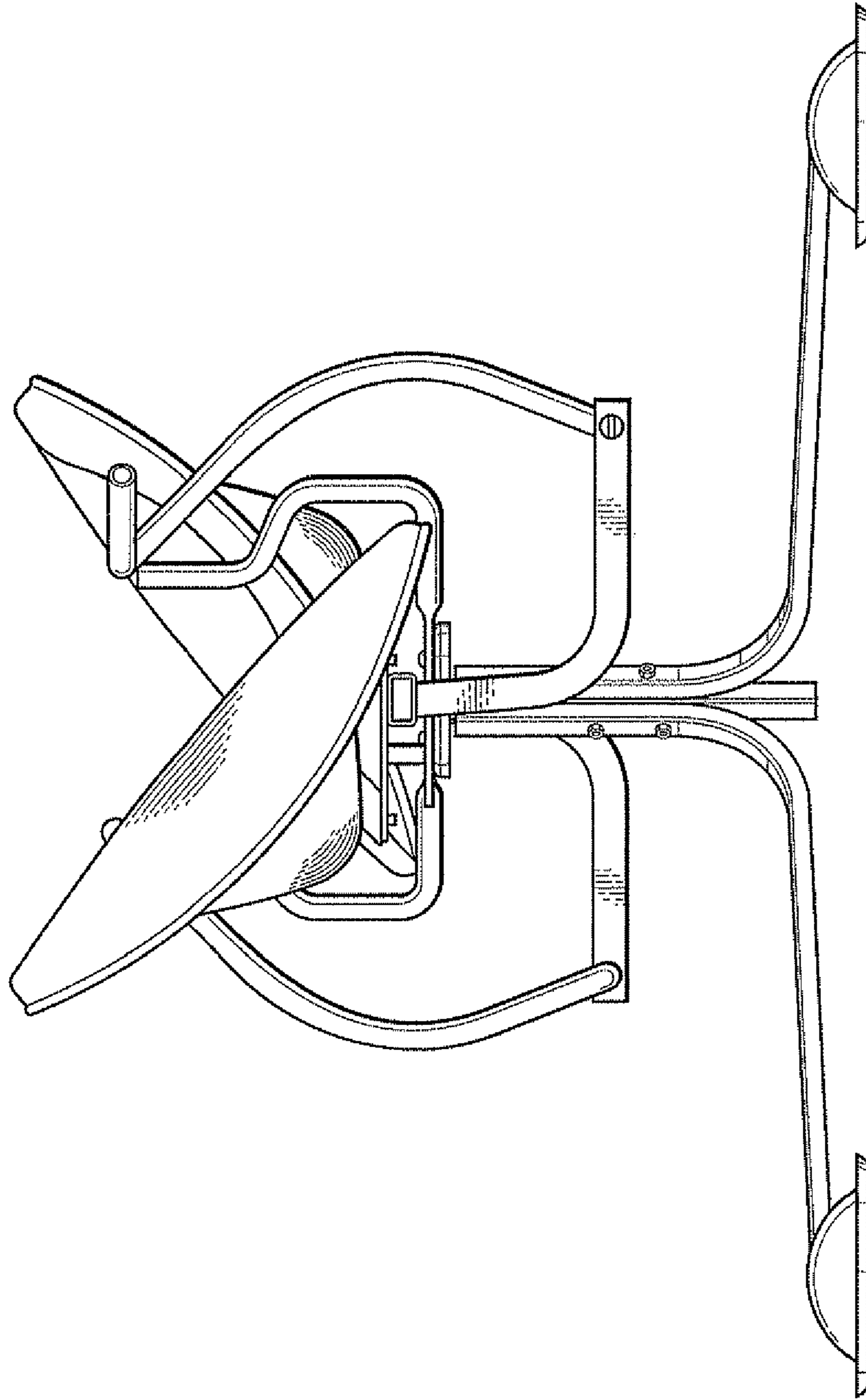


FIG - 5

FIG - 6

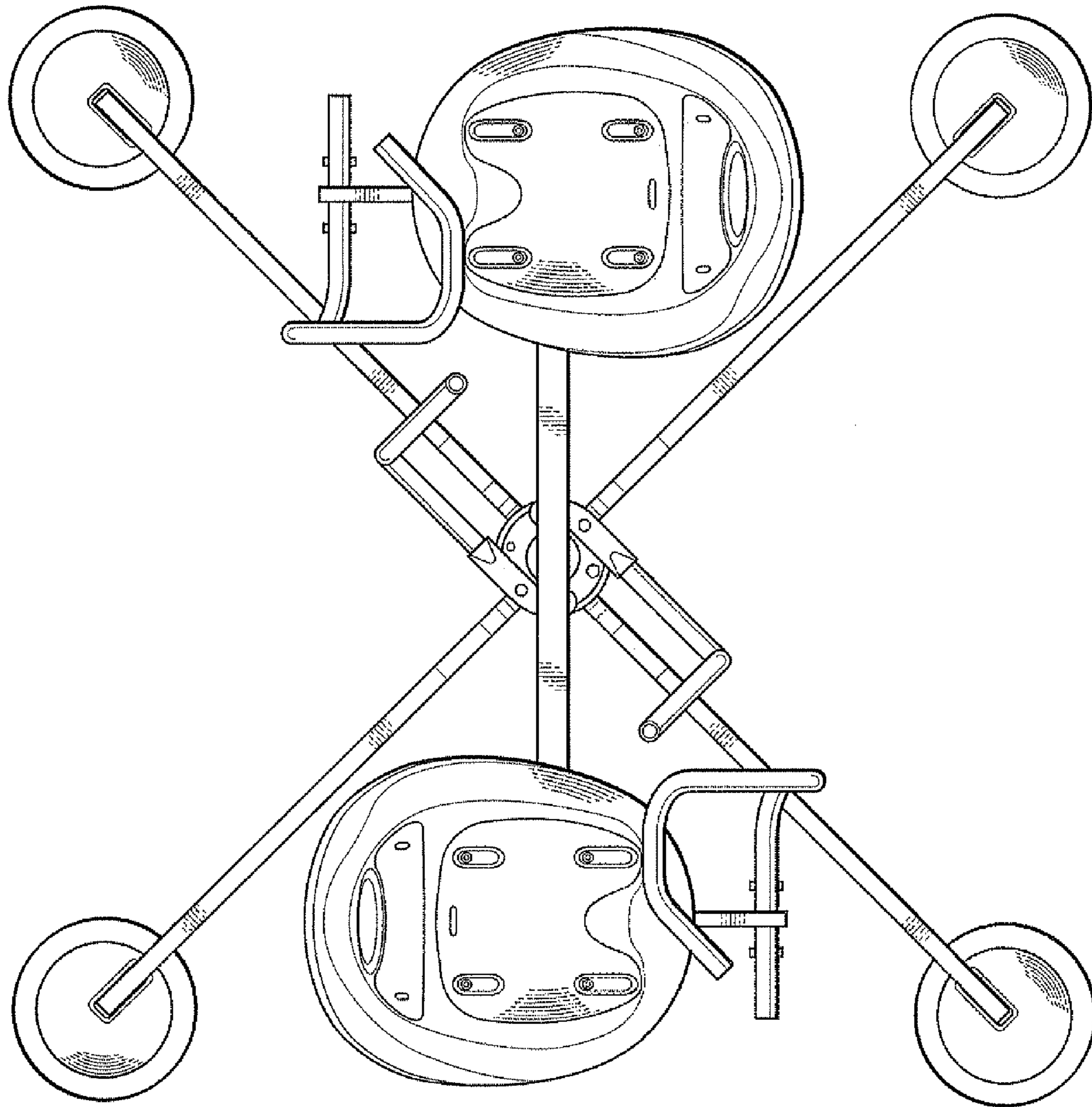


FIG - 7

