



US00D589110S

(12) **United States Design Patent**
Ketcherside et al.

(10) **Patent No.:** **US D589,110 S**
(45) **Date of Patent:** **** Mar. 24, 2009**

- (54) **PLAYGROUND PLAYCENTER**
- (75) Inventors: **Julie D. Ketcherside**, Farmington, MO (US); **Lloyd W. Reese**, Farmington, MO (US); **Brian B. Jenkins**, Farmington, MO (US); **Christopher Michael Newburry**, Desloge, MO (US)
- (73) Assignee: **Playpower LT Farmington, Inc.**, Farmington, MO (US)

D524,899 S	7/2006	Van Deusen et al.	
D534,984 S	1/2007	Nye et al.	
D536,052 S	1/2007	Han	
D536,406 S	2/2007	Nye et al.	
D536,407 S	2/2007	Nye et al.	
D536,408 S	2/2007	Nye et al.	
D536,409 S	2/2007	Nye et al.	
D536,410 S	2/2007	Nye et al.	
D536,411 S	2/2007	Nye et al.	
D540,413 S *	4/2007	McKee et al.	D21/818
D577,408 S *	9/2008	Ketcherside et al.	D21/821

(**) Term: **14 Years**

(21) Appl. No.: **29/318,632**

(22) Filed: **May 23, 2008**

(51) **LOC (9) Cl.** **21-03**

(52) **U.S. Cl.** **D21/818**

(58) **Field of Classification Search** D21/811-827;
482/35, 36; 472/116-125

See application file for complete search history.

* cited by examiner

Primary Examiner—Stella M Reid

Assistant Examiner—Mark A Goodwin

(74) *Attorney, Agent, or Firm*—Polster, Lieder, Woodruff & Lucchesi, L.C.

(57) **CLAIM**

The ornamental design for playground playcenter, as shown and described.

(56) **References Cited**

U.S. PATENT DOCUMENTS

D253,362 S *	11/1979	Dieter et al.	D21/822
D281,985 S *	12/1985	Spirk et al.	D21/818
D344,773 S	3/1994	Aker et al.	
D355,693 S	2/1995	Aker et al.	
D361,614 S	8/1995	Aker et al.	
D367,911 S	3/1996	van Huystee	
D372,757 S *	8/1996	Martin et al.	D21/483
D377,075 S	12/1996	Temple et al.	
5,816,980 A *	10/1998	Myszka et al.	482/35
D418,895 S *	1/2000	Ruggiero	D21/818
D468,386 S	1/2003	Frank	
D468,387 S	1/2003	Ezell	
D486,200 S	2/2004	Van Deusen	
D495,771 S	9/2004	Tracy	
D524,895 S	7/2006	Van Deusen et al.	

DESCRIPTION

FIG. 1 is a perspective view of a playground playcenter showing our new design;

FIG. 2 is a front elevational view thereof;

FIG. 3 is a back elevational view thereof;

FIG. 4 is a right side elevational view thereof;

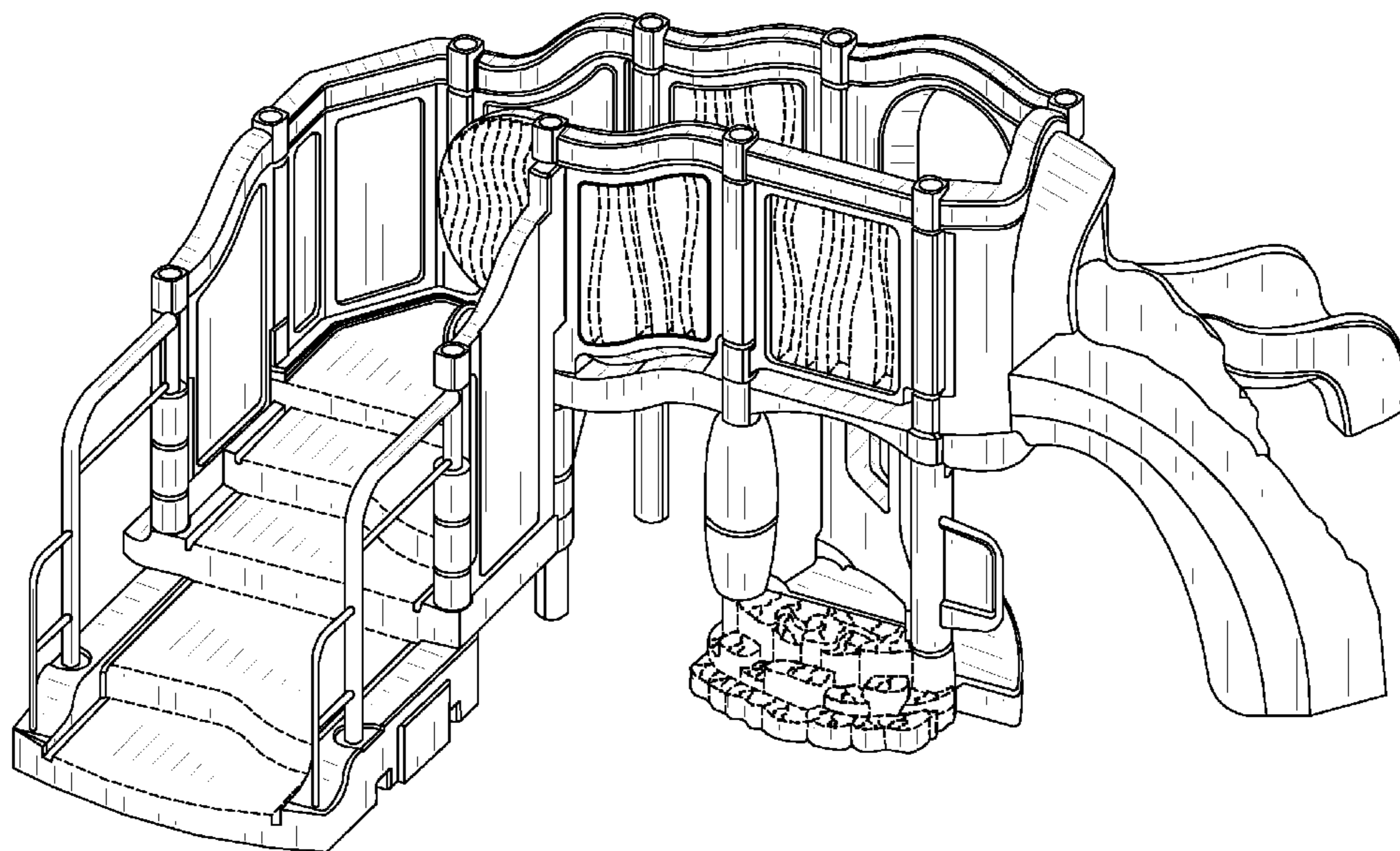
FIG. 5 is left side elevational view thereof;

FIG. 6 is a top plan view thereof; and,

FIG. 7 is a bottom plan view thereof.

The broken line showing in the drawings is included for the purpose of illustrating portions of the playground playcenter and forms no part of the claimed design.

1 Claim, 7 Drawing Sheets



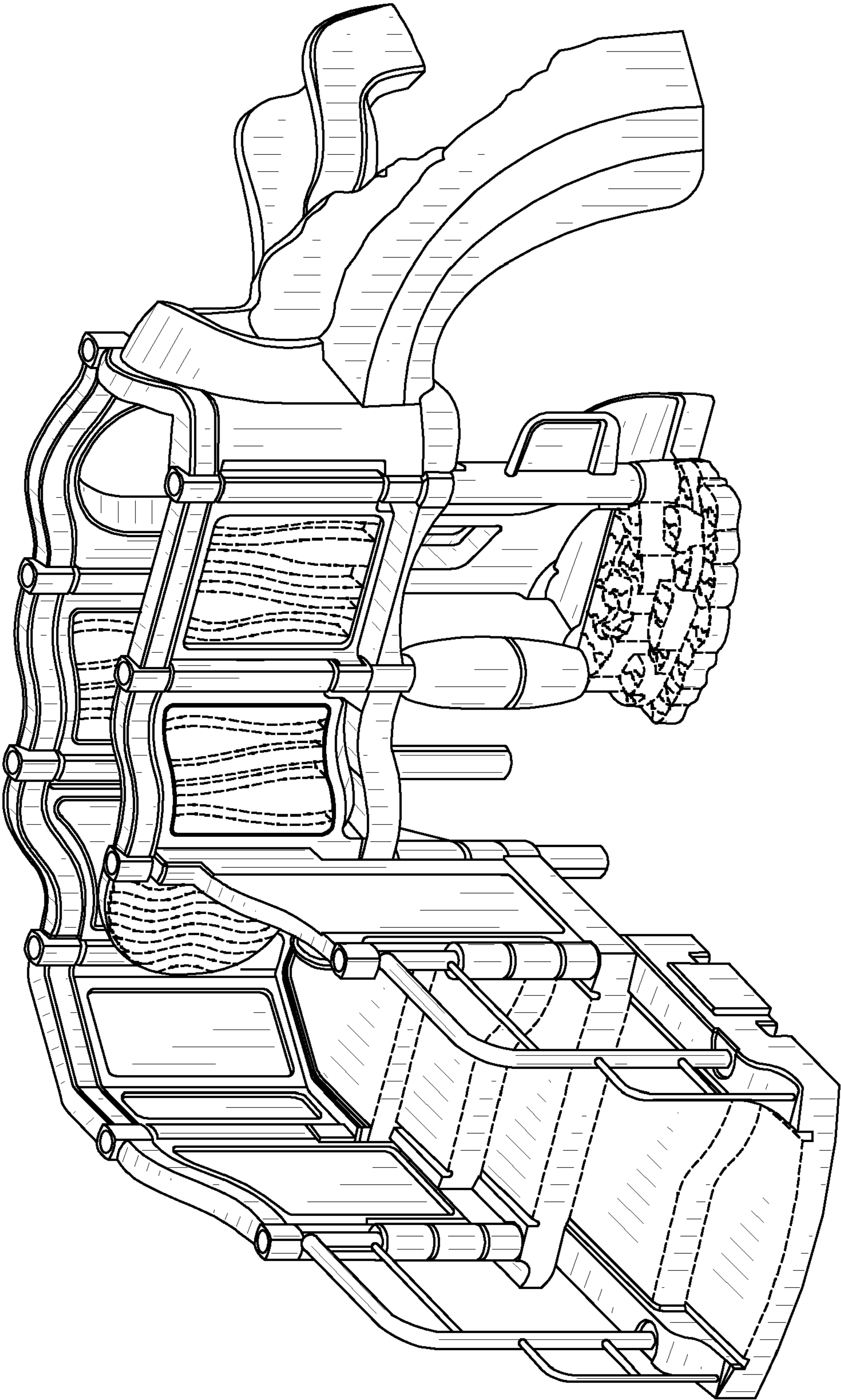


Fig. 1

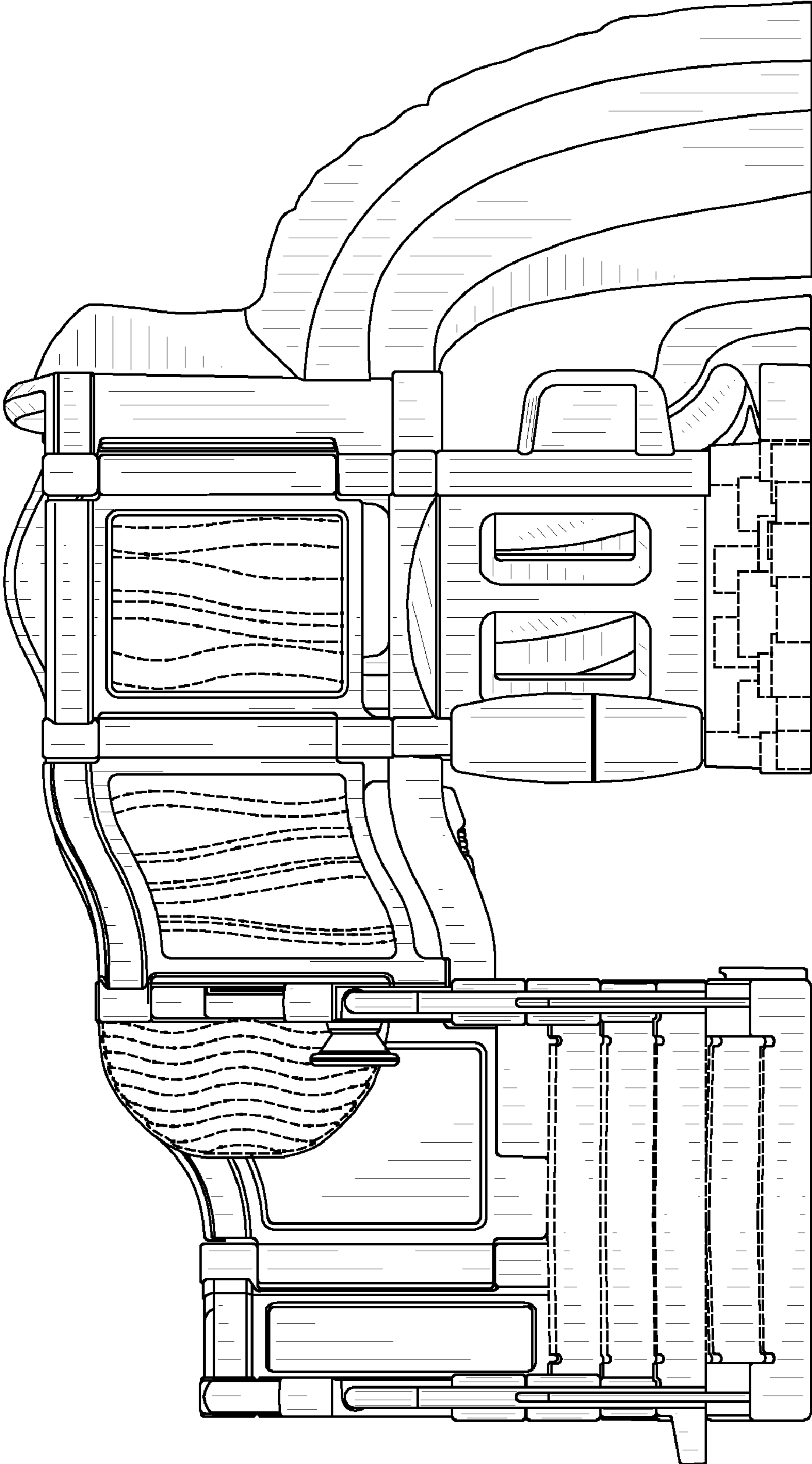


Fig. 2

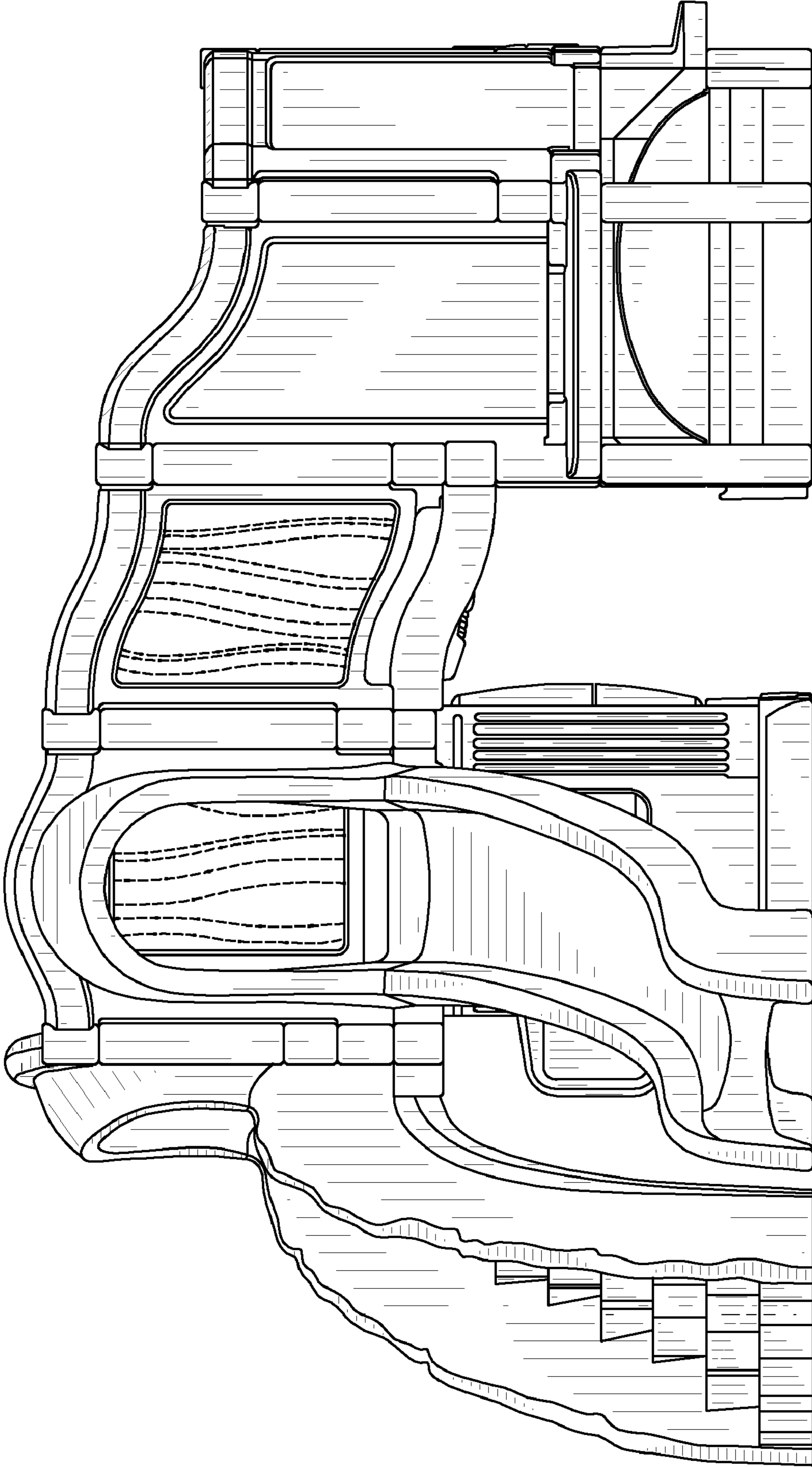


Fig. 3

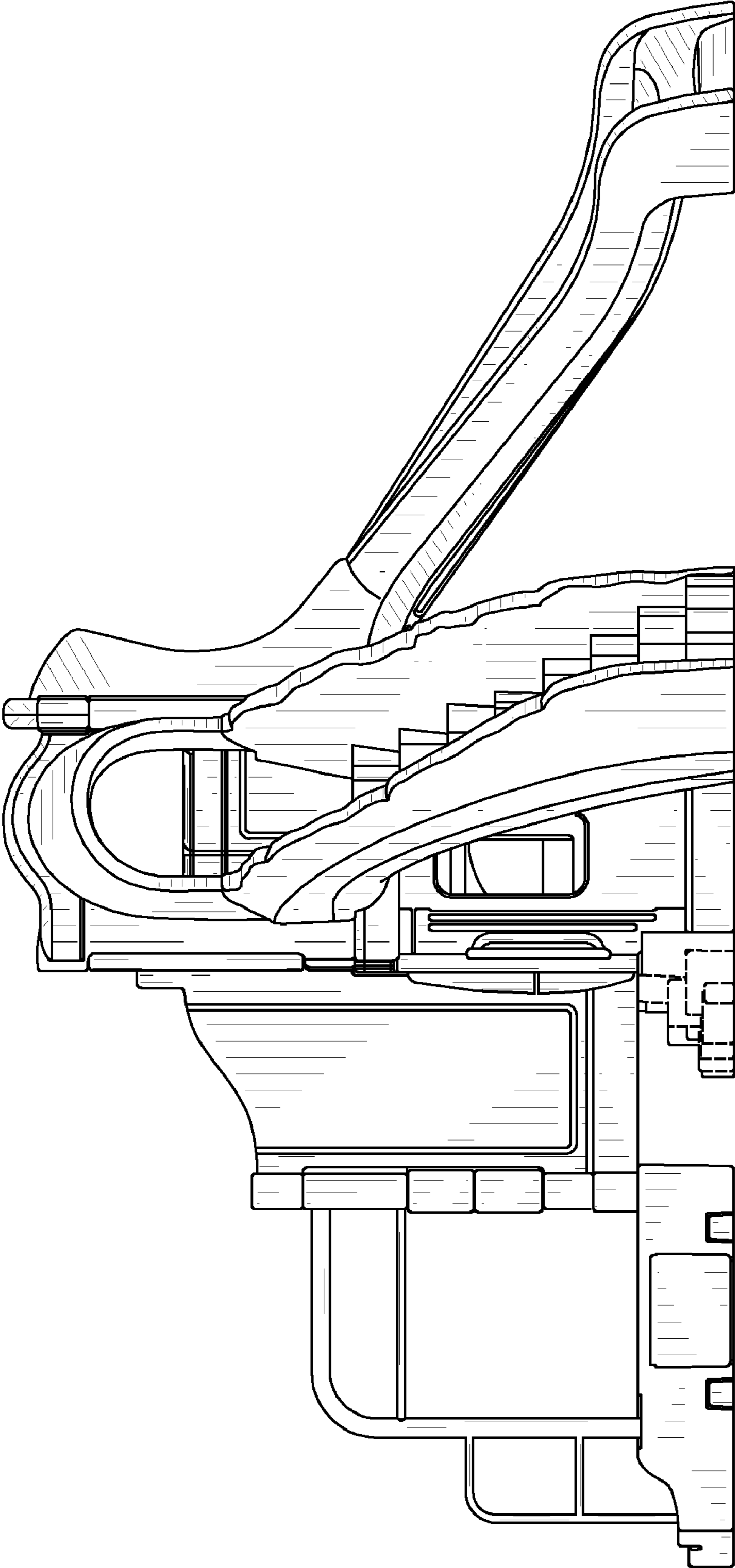


Fig. 4

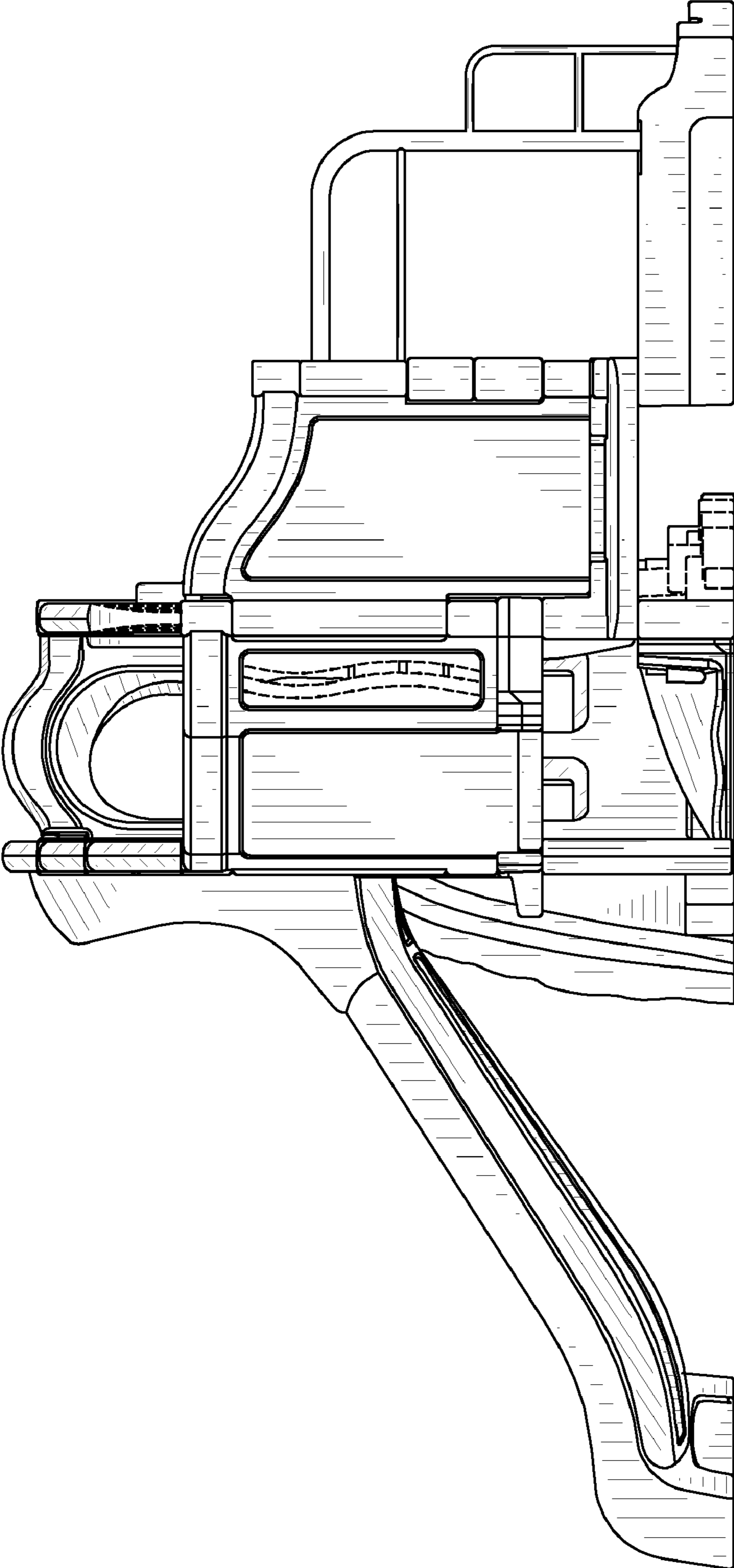


Fig. 5

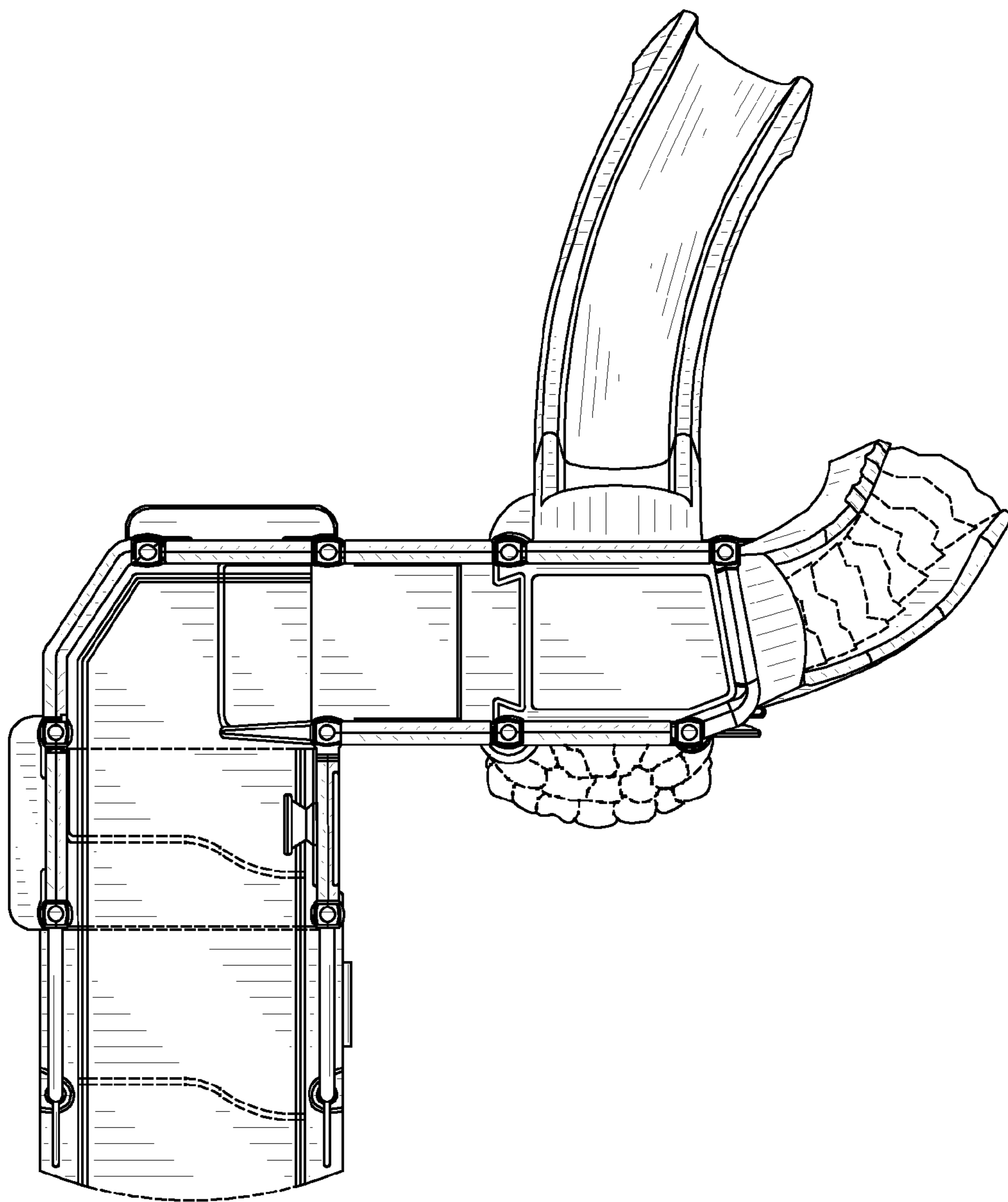


Fig. 6

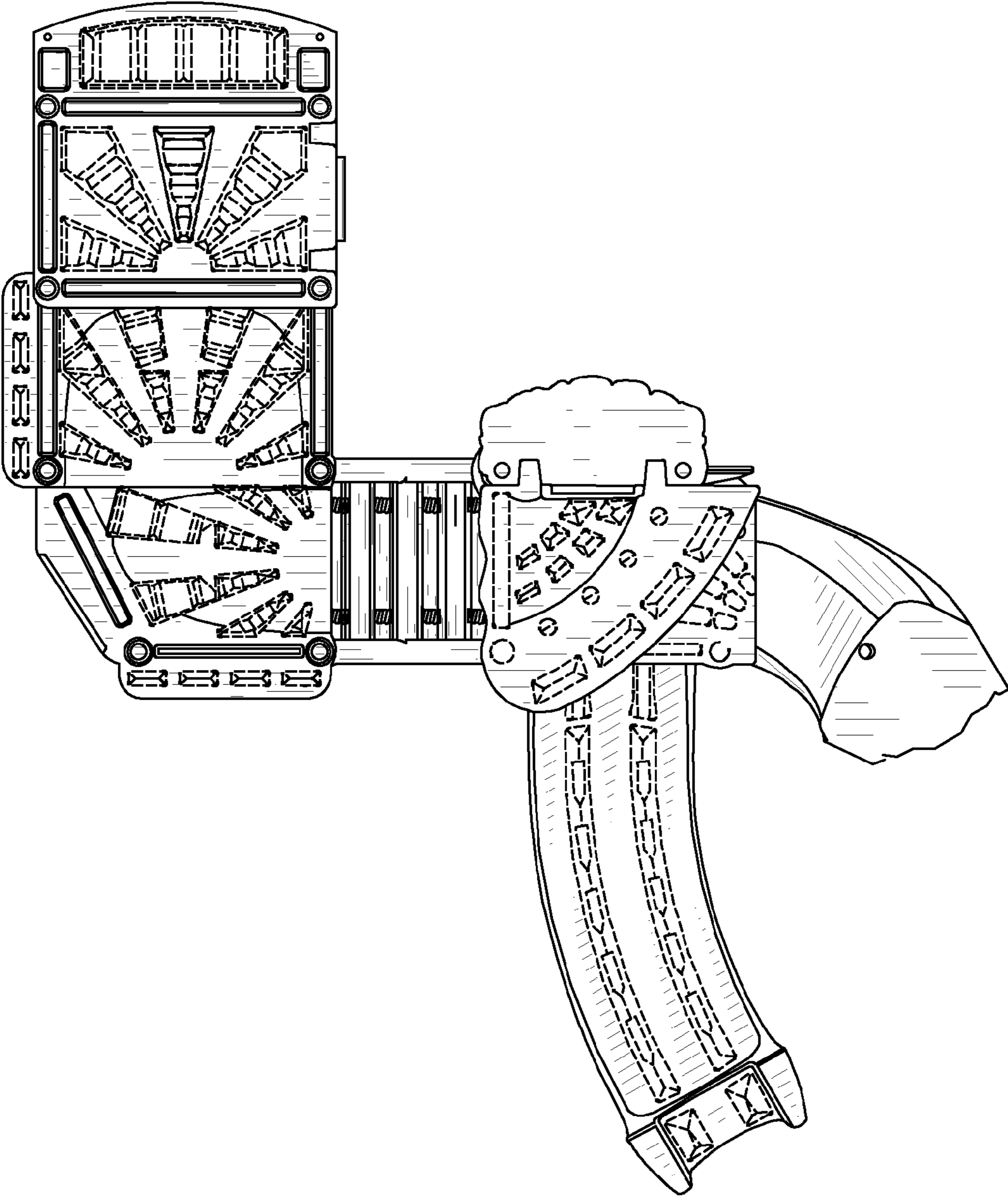


Fig. 7