



US00D589109S

(12) **United States Design Patent**
Oldknow

(10) **Patent No.:** **US D589,109 S**
(45) **Date of Patent:** **** Mar. 24, 2009**

(54) **GOLF CLUB HEAD**

D532,850 S * 11/2006 Oldknow D21/748

(75) Inventor: **Andrew G. V. Oldknow**, Portland, OR
(US)

(73) Assignee: **NIKE, Inc.**, Beaverton, OR (US)

(**) Term: **14 Years**

(21) Appl. No.: **29/329,513**

(22) Filed: **Dec. 16, 2008**

(51) **LOC (9) Cl.** **21-02**

(52) **U.S. Cl.** **D21/759**

(58) **Field of Classification Search** D21/747-751,
D21/759; 473/324-331, 350

See application file for complete search history.

(56) **References Cited**

U.S. PATENT DOCUMENTS

D319,858 S *	9/1991	Antonious	D21/748
D328,482 S	8/1992	Antonious		
D328,628 S	8/1992	Antonious		
D360,925 S *	8/1995	Antonious	D21/748
D377,381 S *	1/1997	Takahashi et al.	D21/748
D383,820 S *	9/1997	Watanabe	D21/749
D428,635 S *	7/2000	Nagai et al.	D21/759
D449,086 S	10/2001	Nagai et al.		
D466,576 S *	12/2002	Nagai et al.	D21/759
D466,961 S *	12/2002	Nagai et al.	D21/759
D467,292 S *	12/2002	Saraie et al.	D21/749
D508,722 S *	8/2005	Iwata et al.	D21/759
D517,146 S *	3/2006	Nishitani	D21/759
D526,036 S *	8/2006	Nishitani	D21/747
7,126,339 B2	10/2006	Nagai et al.		

OTHER PUBLICATIONS

Golfsmith 1996, p. 37, TX 101 Irons.
Edwin Watts Golf Summer 1998, p. 13, T-Zoid Pro Forged Irons.
Edwin Watts Golf Internet, Putters, Wilson 16 Control Iron Set.
Golfsmith Internet, Putters, Titleist 755 Iron Set with Steel Shafts.

* cited by examiner

Primary Examiner—Mitchell I Siegel

(74) *Attorney, Agent, or Firm*—Banner & Witcoff, Ltd.

(57) **CLAIM**

The ornamental design for a golf club head, as shown and described.

DESCRIPTION

FIG. 1 is a rear perspective view of a golf club head showing my new design;

FIG. 2 is a rear view thereof;

FIG. 3 is a front view thereof;

FIG. 4 is a heel end view thereof;

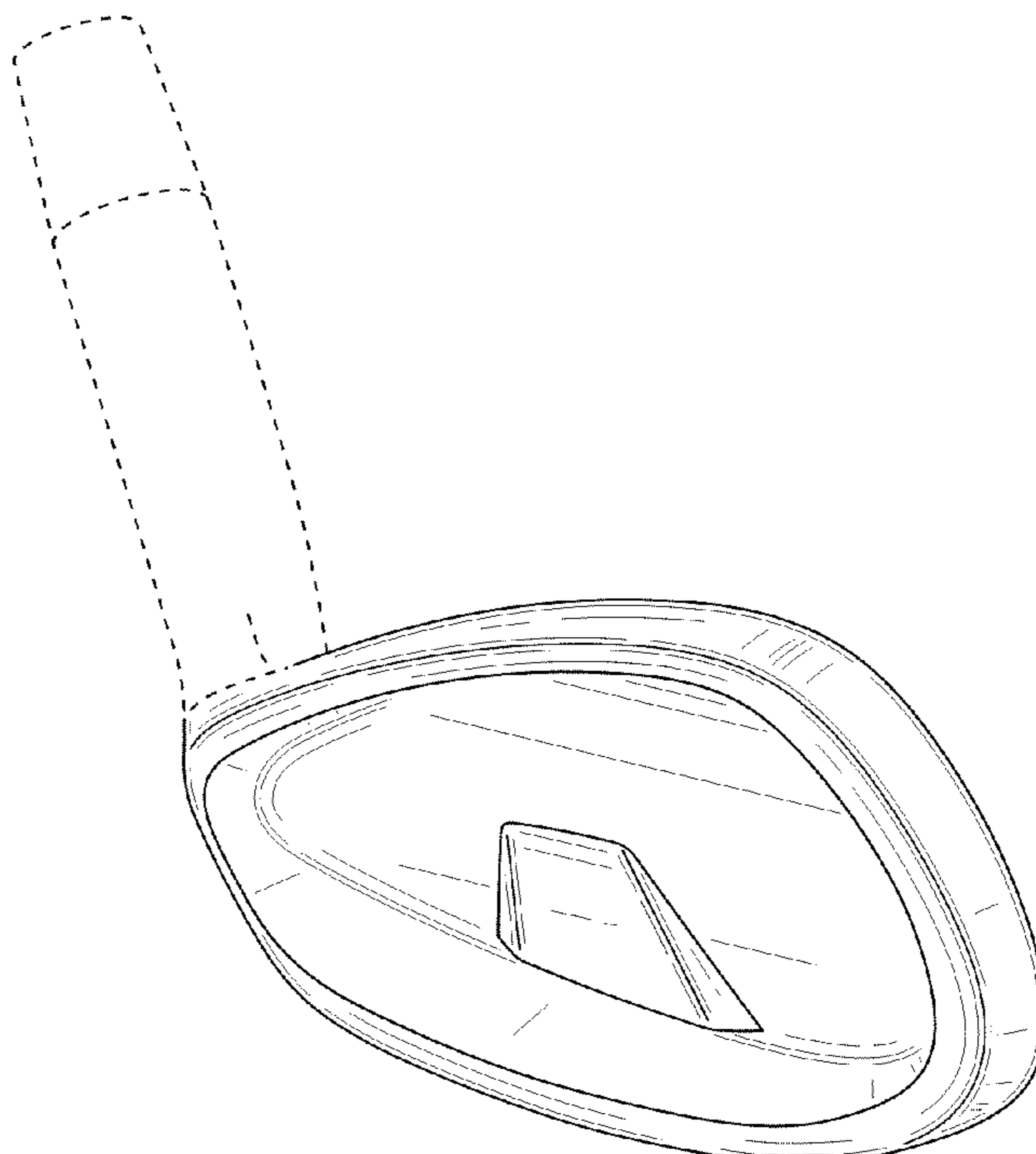
FIG. 5 is a toe end view thereof;

FIG. 6 is a bottom view thereof; and,

FIG. 7 is a top view thereof.

The broken line immediately adjacent to the shaded region forms an unclaimed boundary of the design. The broken line showing of the remainder of the golf club head is for environmental purposes only and forms no part of the claimed design.

1 Claim, 4 Drawing Sheets



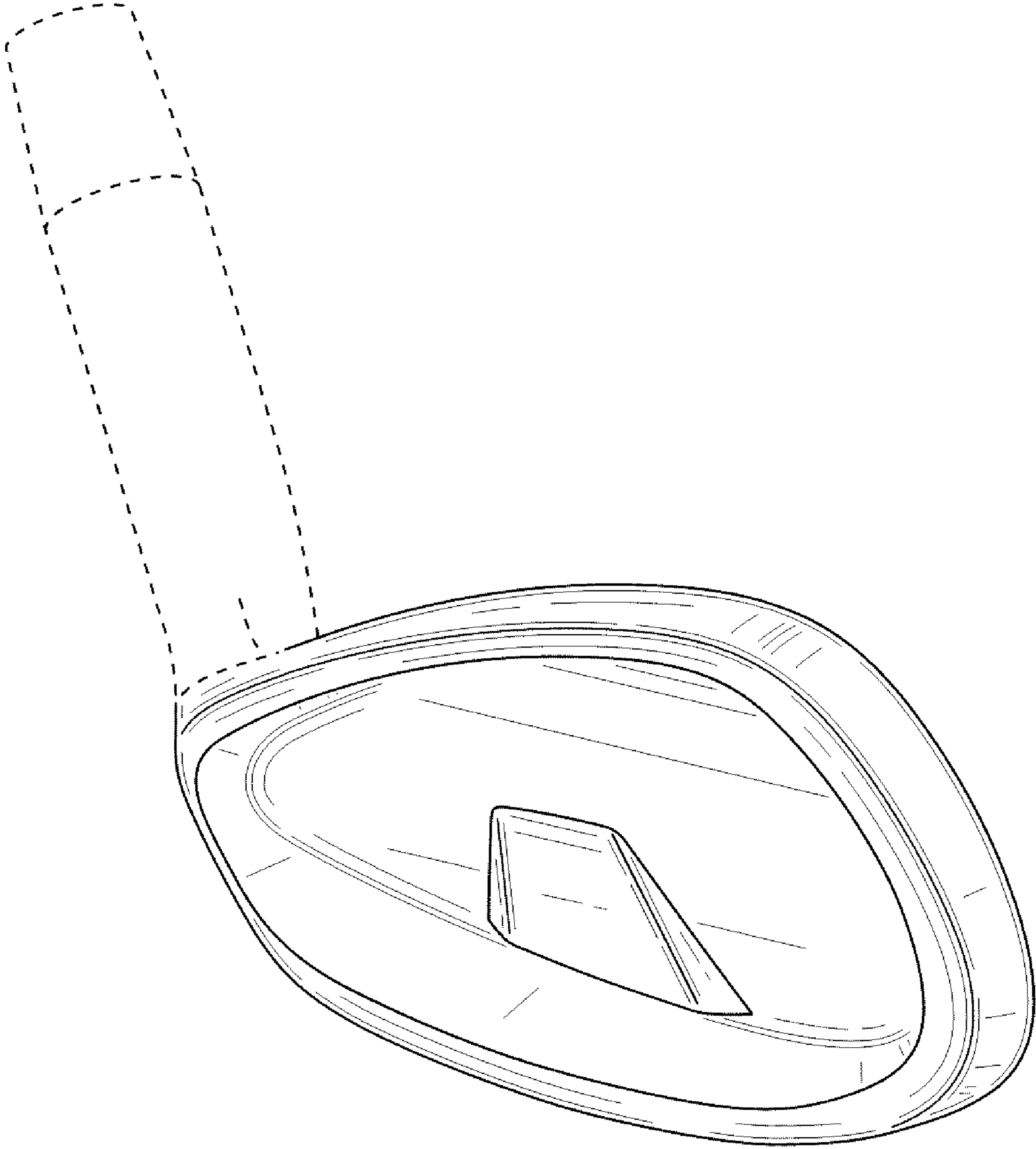


FIG. 1

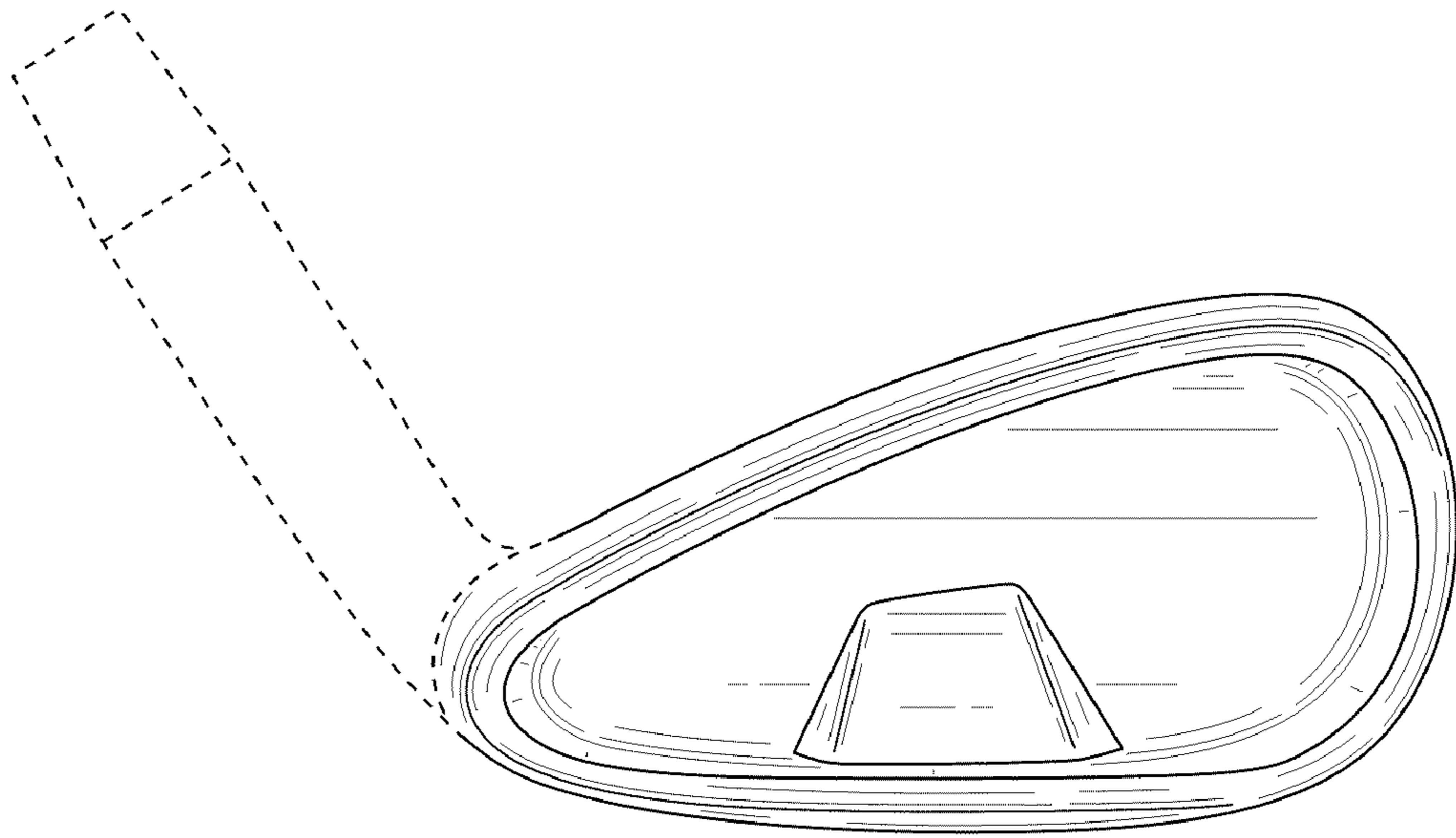


FIG. 2

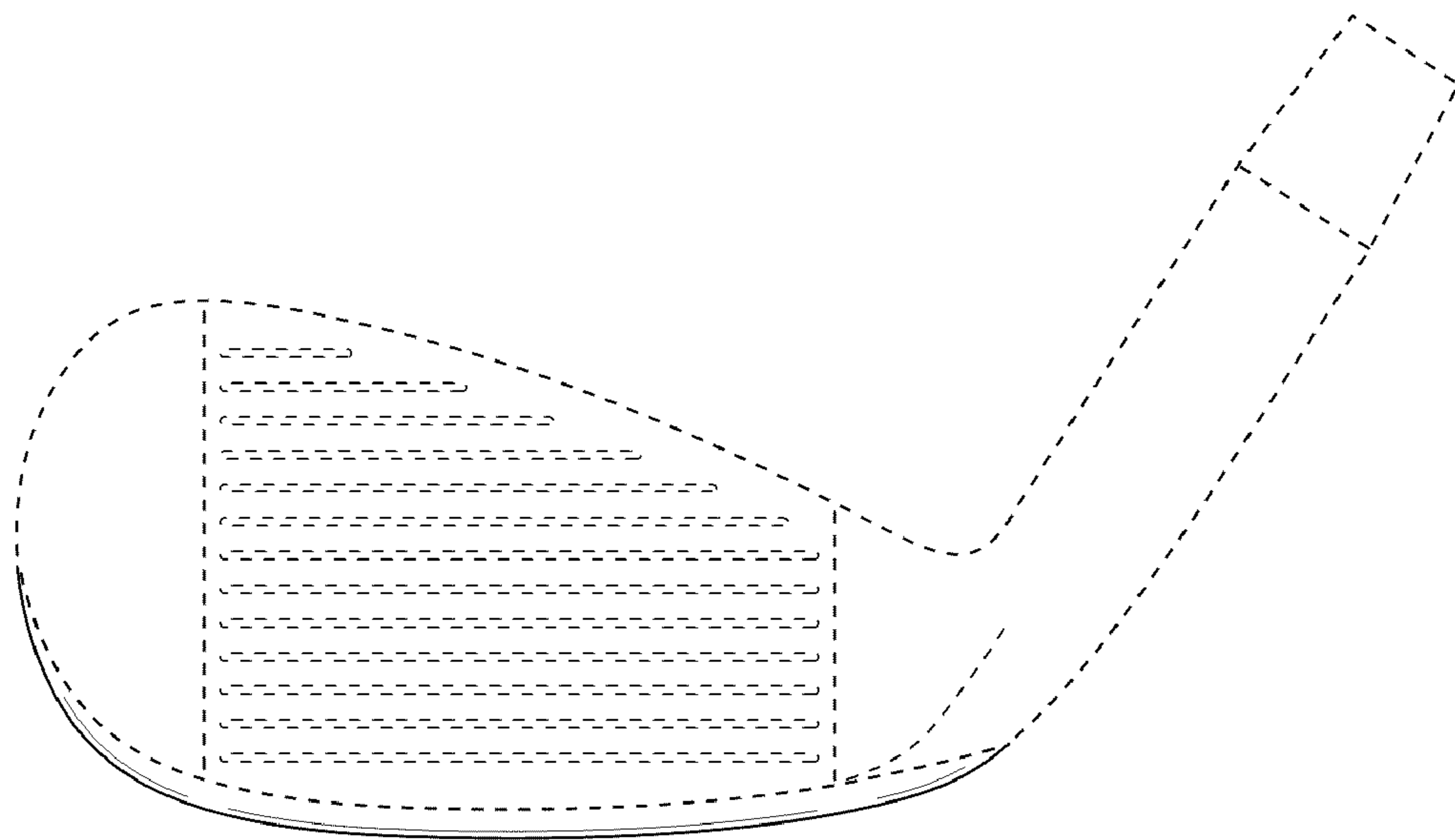


FIG. 3

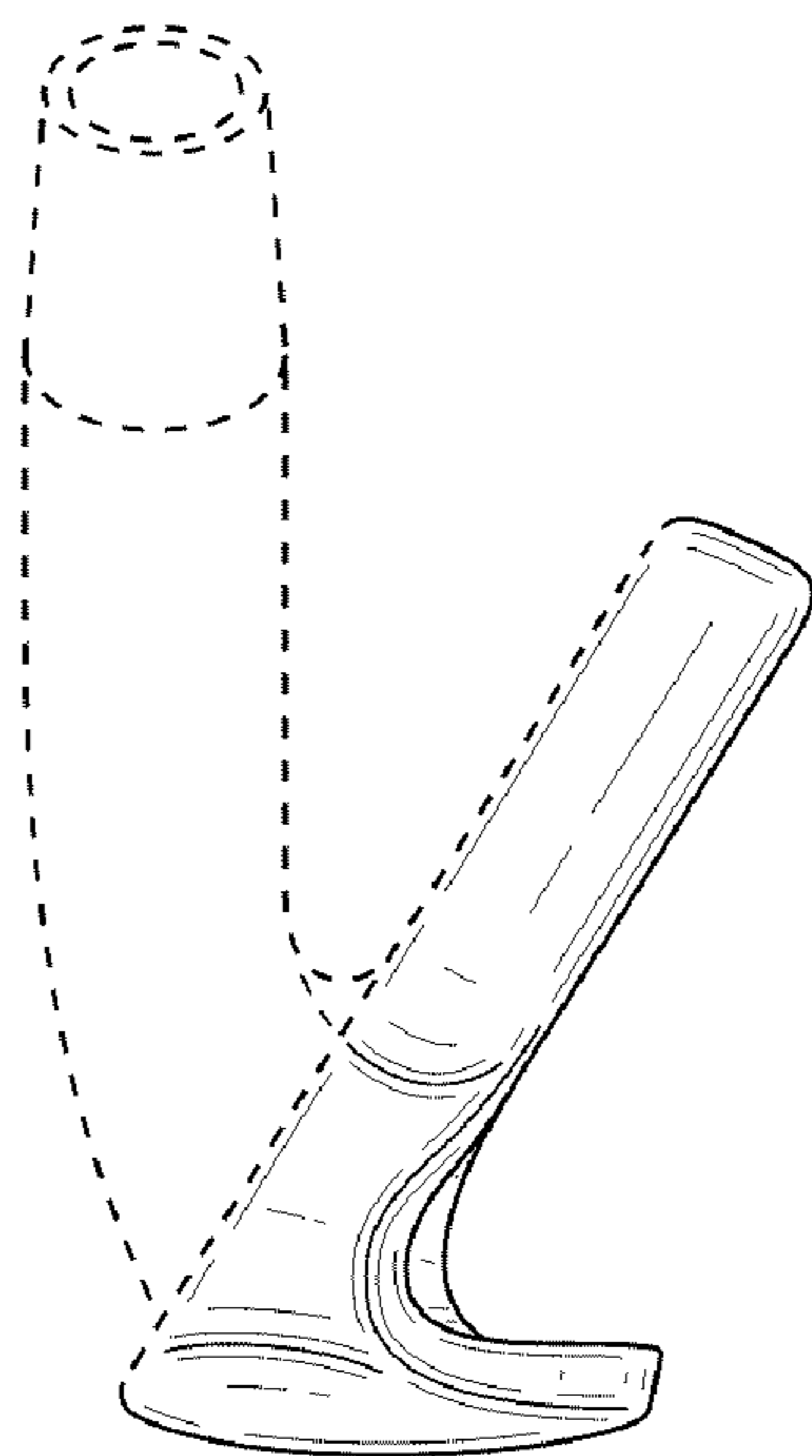


FIG. 4

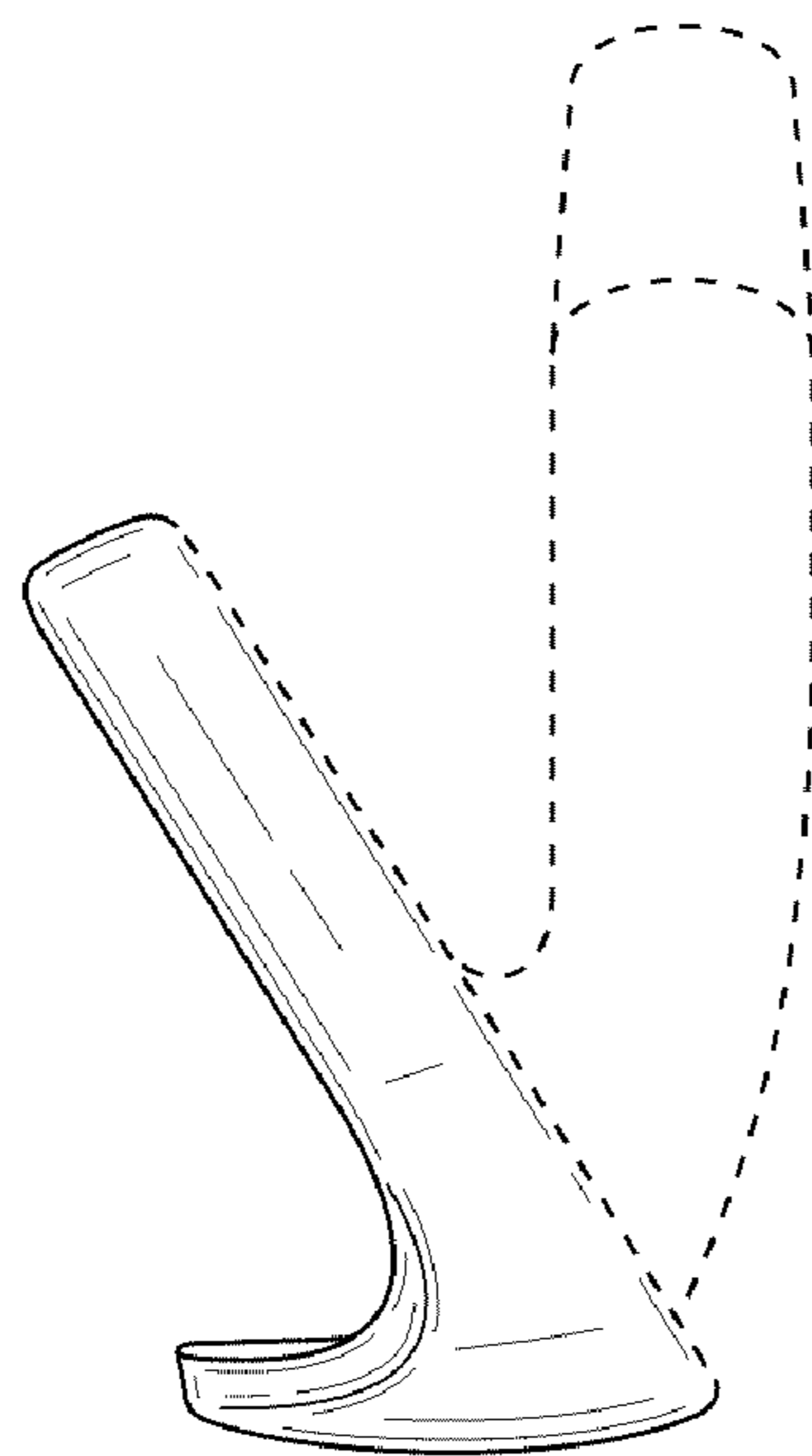


FIG. 5

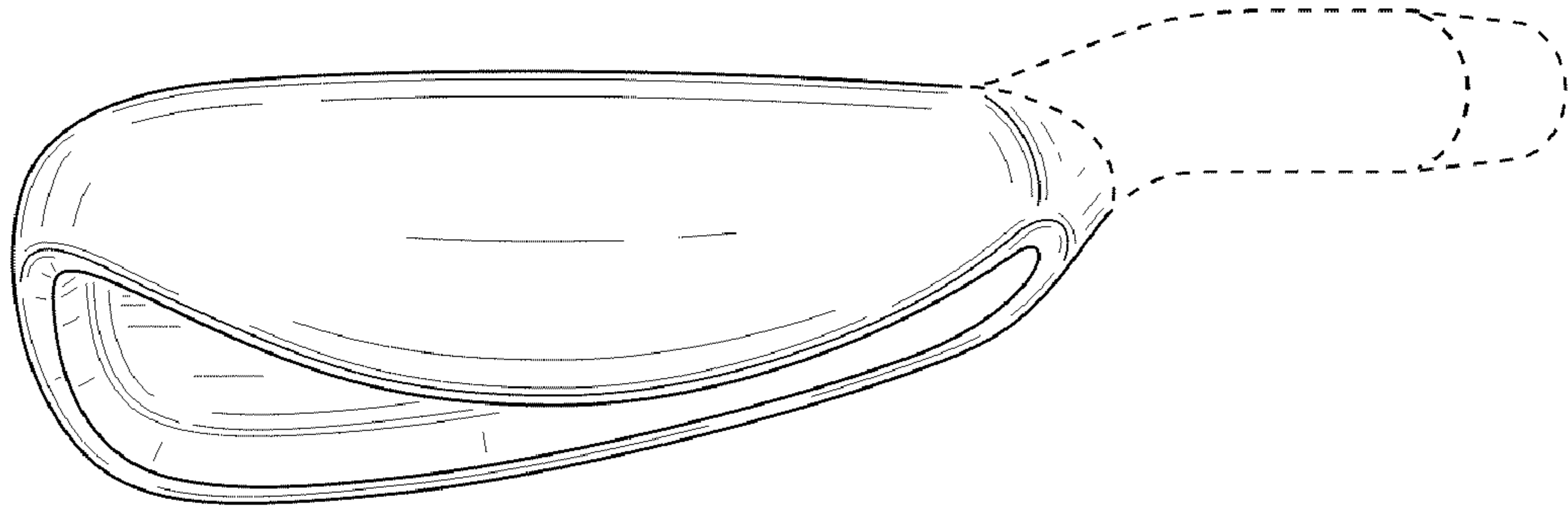


FIG. 6

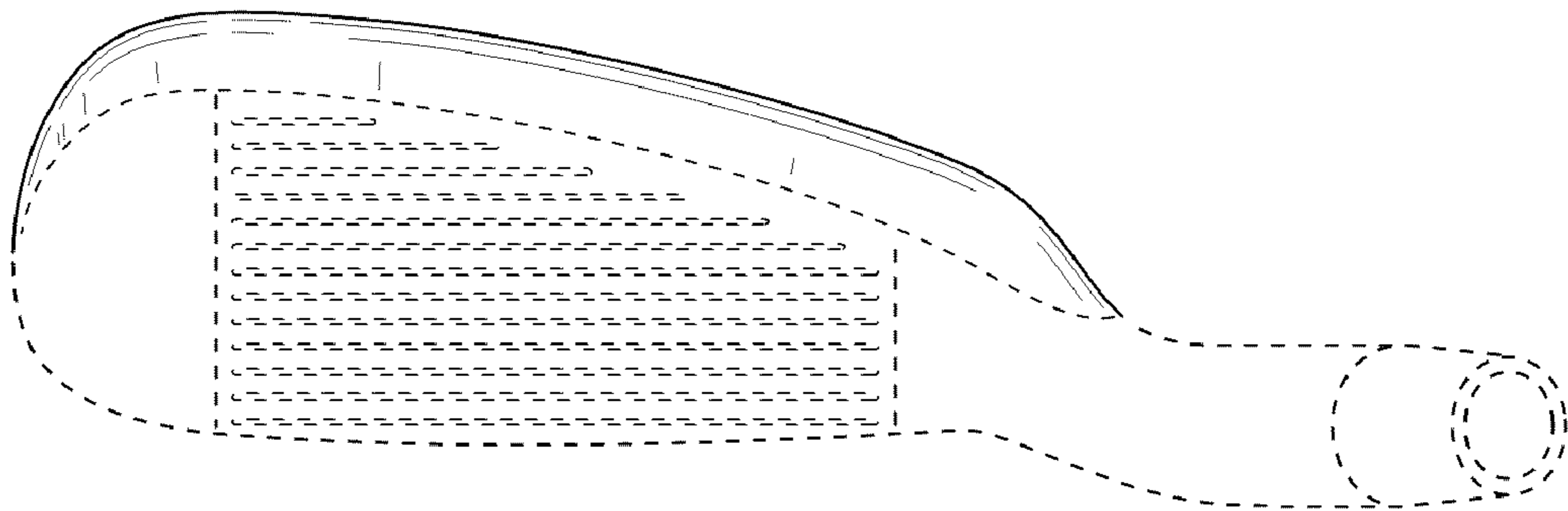


FIG. 7