

US00D589108S

(12) **United States Design Patent**
Oldknow

(10) **Patent No.:** **US D589,108 S**
(45) **Date of Patent:** **** Mar. 24, 2009**

(54) **GOLF CLUB HEAD WITH RED STRIPE**

(75) Inventor: **Andrew G. V. Oldknow**, Portland, OR
(US)

(73) Assignee: **Nike, Inc.**, Beaverton, OR (US)

(**) Term: **14 Years**

(21) Appl. No.: **29/329,512**

(22) Filed: **Dec. 16, 2008**

(51) **LOC (9) Cl.** **21-02**

(52) **U.S. Cl.** **D21/759**

(58) **Field of Classification Search** D21/747-751,
D21/759; 473/324-331, 350

See application file for complete search history.

(56) **References Cited**

U.S. PATENT DOCUMENTS

D319,858 S *	9/1991	Antonious	D21/748
D360,925 S *	8/1995	Antonious	D21/748
D361,358 S	8/1995	Simmons		
D377,381 S *	1/1997	Takahashi et al.	D21/748
D383,820 S *	9/1997	Watanabe	D21/749
D394,290 S	5/1998	Best et al.		
D413,369 S	8/1999	Peng		
D417,248 S	11/1999	Matsuo		
D428,635 S *	7/2000	Nagai et al.	D21/759
D435,278 S	12/2000	Reed et al.		
D449,086 S	10/2001	Nagai et al.		
D454,932 S	3/2002	Mahaffey et al.		
D466,576 S *	12/2002	Nagai et al.	D21/759
D466,961 S *	12/2002	Nagai et al.	D21/759
D467,292 S *	12/2002	Saraie et al.	D21/749
D468,382 S	1/2003	Wahl et al.		
D468,788 S	1/2003	Bode et al.		
D469,832 S	2/2003	Bode et al.		
D475,108 S	5/2003	Madore		
D508,722 S *	8/2005	Iwata et al.	D21/759

D516,649 S	3/2006	Imamoto		
D517,146 S *	3/2006	Nishitani	D21/759
D526,036 S *	8/2006	Nishitani	D21/747
D528,178 S	9/2006	Best		
D532,850 S *	11/2006	Oldknow	D21/748
D539,862 S	4/2007	Nunez et al.		
D580,503 S	11/2008	Roach et al.		

OTHER PUBLICATIONS

Golfsmith 1996, p. 37, TX 101 Irons.
Edwin Watts Golf Summer 1998, p. 13, T-Zoid Pro Forged Irons.
Edwin Watts Golf Internet, Putters, Wilson 16 Control Iron Set.
Golfsmith Internet, Putters, Titleist 755 Iron Set with Steel Shafts.

* cited by examiner

Primary Examiner—Mitchell I Siegel
(74) *Attorney, Agent, or Firm*—Banner & Witcoff, Ltd.

(57) **CLAIM**

The ornamental design for a golf club head with red stripe, as shown and described.

DESCRIPTION

The file of this application contains at least one drawing executed in color. Copies of this application with color drawings will be provided by the Office upon request and payment of the necessary fee.

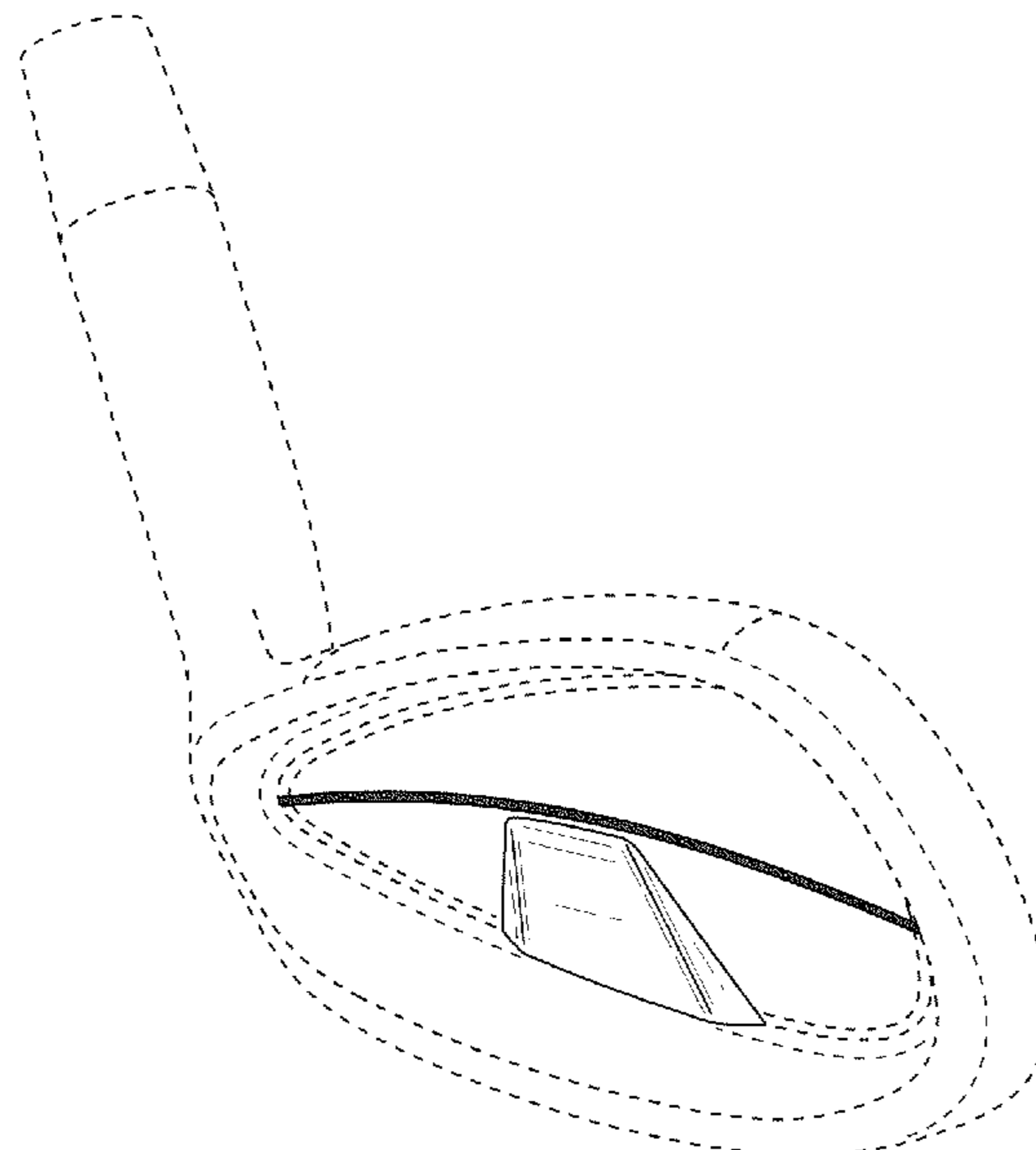
FIG. 1 is a rear perspective view of a golf club head showing my new design; and,

FIG. 2 is a rear view thereof.

The stripe shown on the golf club head in the figures is colored red.

The broken line showing of the remainder of the golf club head is for environmental purposes only and forms no part of the claimed design.

1 Claim, 2 Drawing Sheets
(2 of 2 Drawing Sheet(s) Filed in Color)



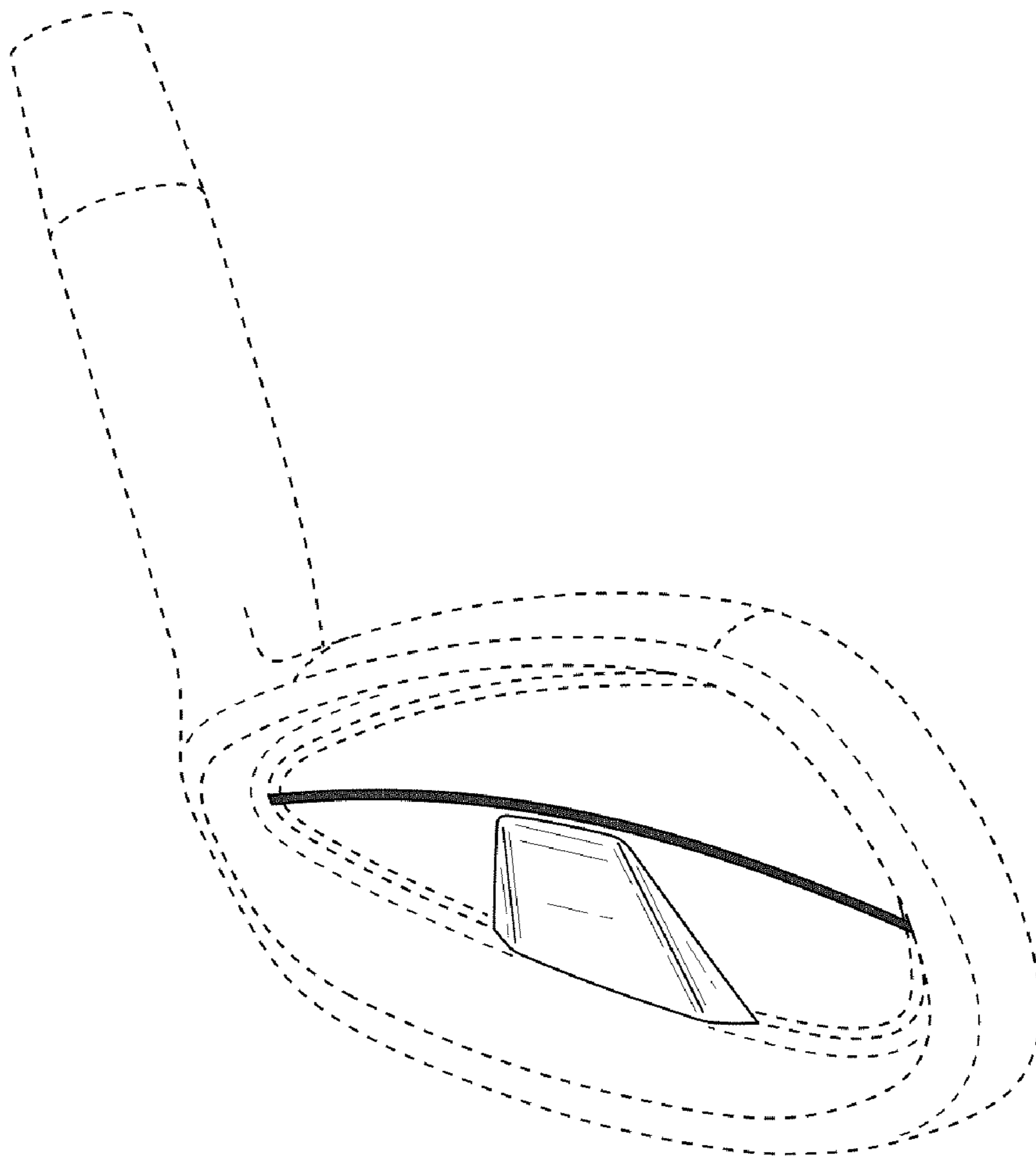


FIG. 1

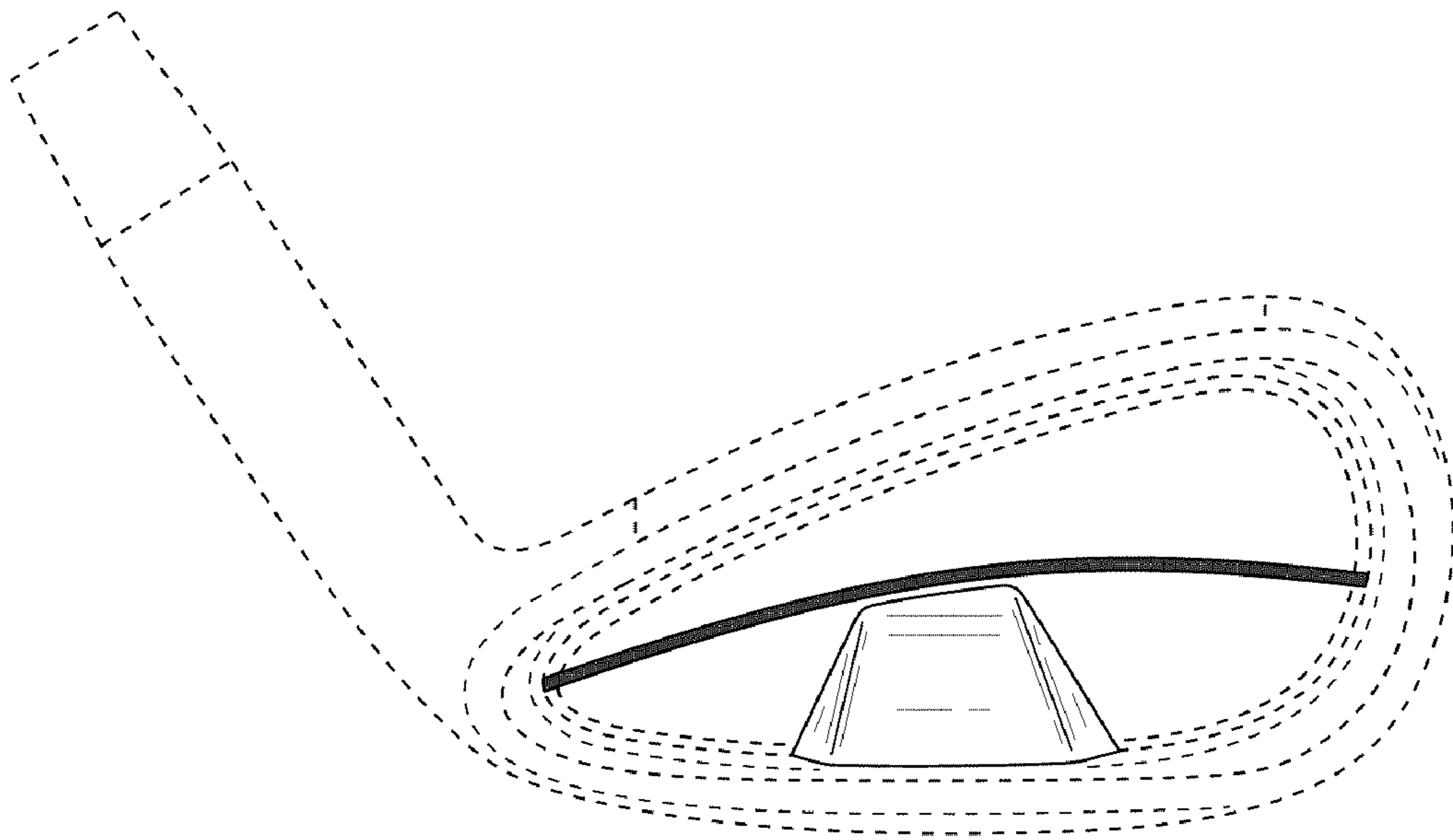


FIG. 2