



US00D589106S

(12) **United States Design Patent**  
**Oldknow**

(10) **Patent No.:** **US D589,106 S**  
(45) **Date of Patent:** **\*\* Mar. 24, 2009**

(54) **GOLF CLUB HEAD WITH RED STRIPE**

D539,861 S 4/2007 Ehrich

(75) Inventor: **Andrew G. V. Oldknow**, Portland, OR  
(US)

(73) Assignee: **NIKE, Inc.**, Beaverton, OR (US)

(\*\*) Term: **14 Years**

(21) Appl. No.: **29/329,508**

(22) Filed: **Dec. 16, 2008**

(51) **LOC (9) Cl.** ..... **21-02**

(52) **U.S. Cl.** ..... **D21/759**

(58) **Field of Classification Search** ..... D21/747-751,  
D21/759; 473/324-331, 350  
See application file for complete search history.

(56) **References Cited**

**U.S. PATENT DOCUMENTS**

D343,435 S *	1/1994	Poincenot et al.	.....	D21/750
D345,775 S *	4/1994	Poincenot et al.	.....	D21/750
D346,840 S *	5/1994	Fenton	.....	D21/751
D395,476 S *	6/1998	Pond et al.	.....	D21/747
D399,276 S	10/1998	Hettinger et al.		
D426,276 S	6/2000	Besnard et al.		
D449,866 S *	10/2001	Miller	.....	D21/747
D457,211 S *	5/2002	Bakke	.....	D21/747
D473,605 S	4/2003	Petersen et al.		
D473,606 S *	4/2003	Mickelson et al.	.....	D21/747
D479,568 S *	9/2003	Rodgers et al.	.....	D21/747
D492,376 S	6/2004	Nicolette et al.		
D507,320 S	7/2005	Roberts et al.		
D523,501 S	6/2006	Nicolette et al.		
D533,610 S	12/2006	Cleveland		
D537,494 S	2/2007	Jertson et al.		

**OTHER PUBLICATIONS**

Golfsmith 1998, p. 35, Custom Wedge System.  
Edwin Watts Gold, p. 9, Callaway Golf Forged Wedges.

\* cited by examiner

*Primary Examiner*—Mitchell I Siegel

(74) *Attorney, Agent, or Firm*—Banner & Witcoff, Ltd.

(57) **CLAIM**

The ornamental design for a golf club head with red stripe, as shown and described.

**DESCRIPTION**

The file of this application contains at least one drawing executed in color. Copies of this application with color drawings will be provided by the Office upon request and payment of the necessary fee.

FIG. 1 is a perspective view of a golf club head showing my new design;

FIG. 2 is a rear view thereof;

FIG. 3 is a heel end view thereof;

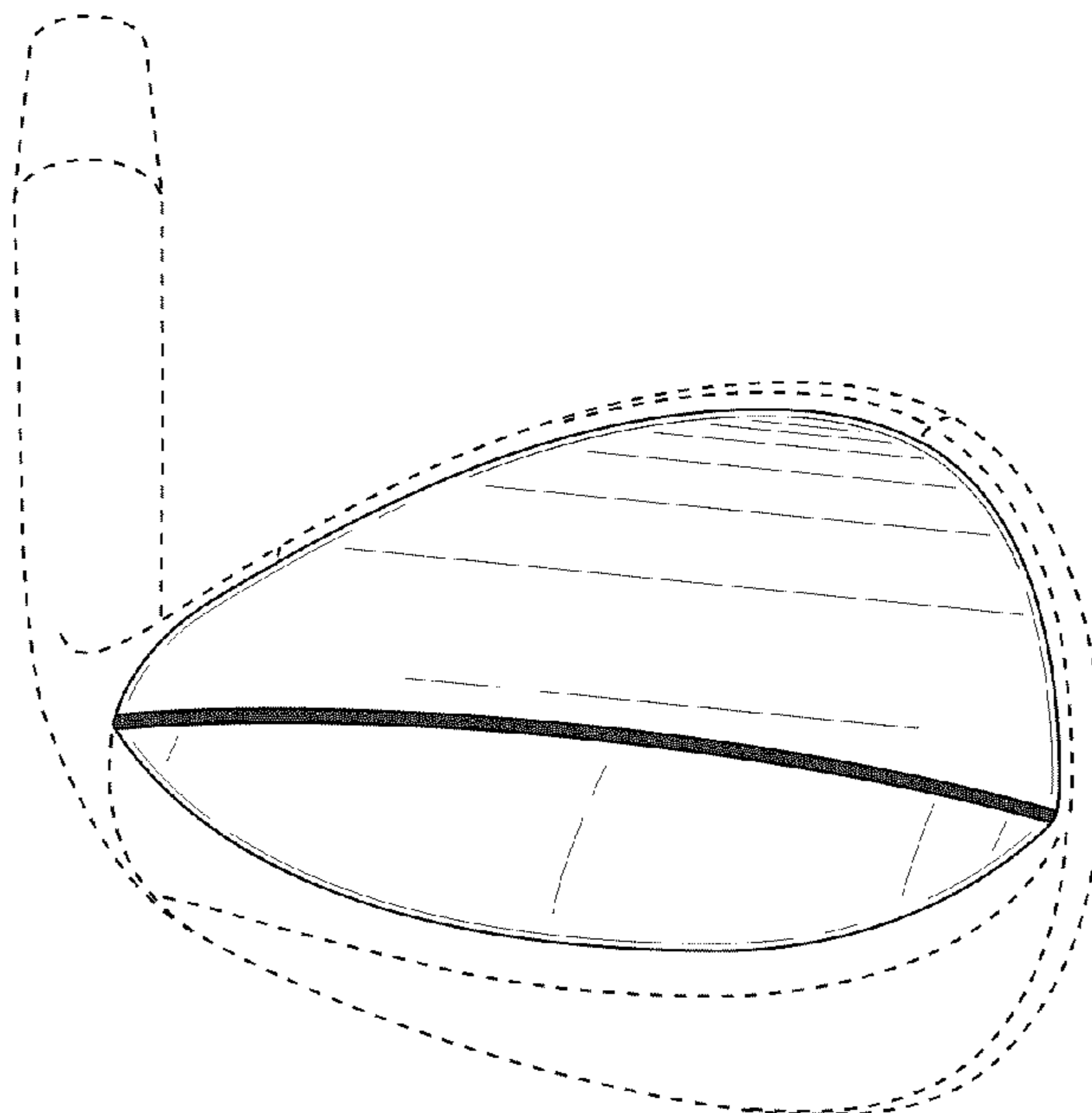
FIG. 4 is a toe end view thereof; and,

FIG. 5 is a bottom view thereof.

The stripe shown on the golf club head in the figures is colored red.

The broken line showing of the remainder of the golf club head is for environmental purposes only and forms no part of the claimed design.

**1 Claim, 2 Drawing Sheets**  
**(2 of 2 Drawing Sheet(s) Filed in Color)**



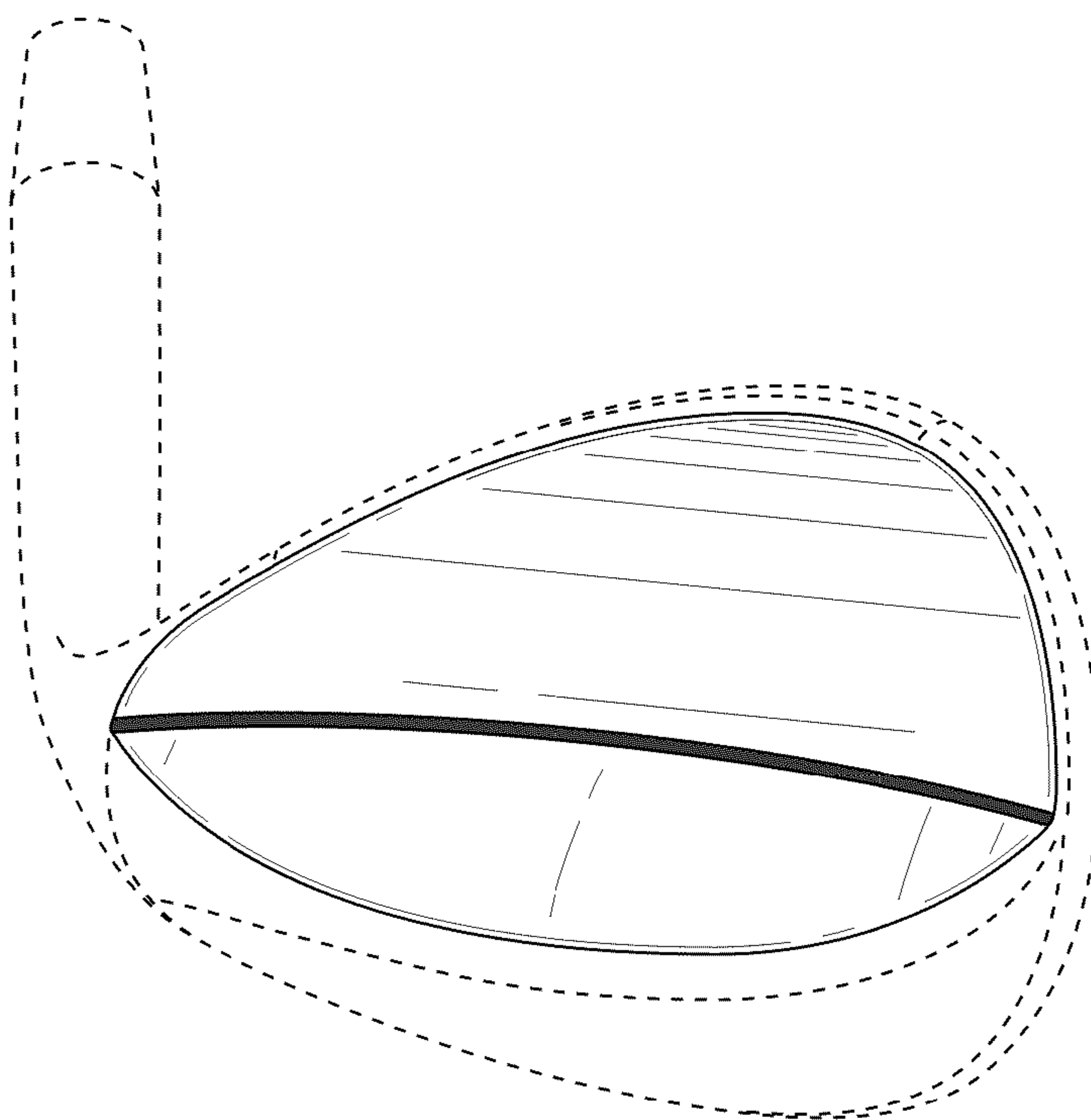


FIG. 1

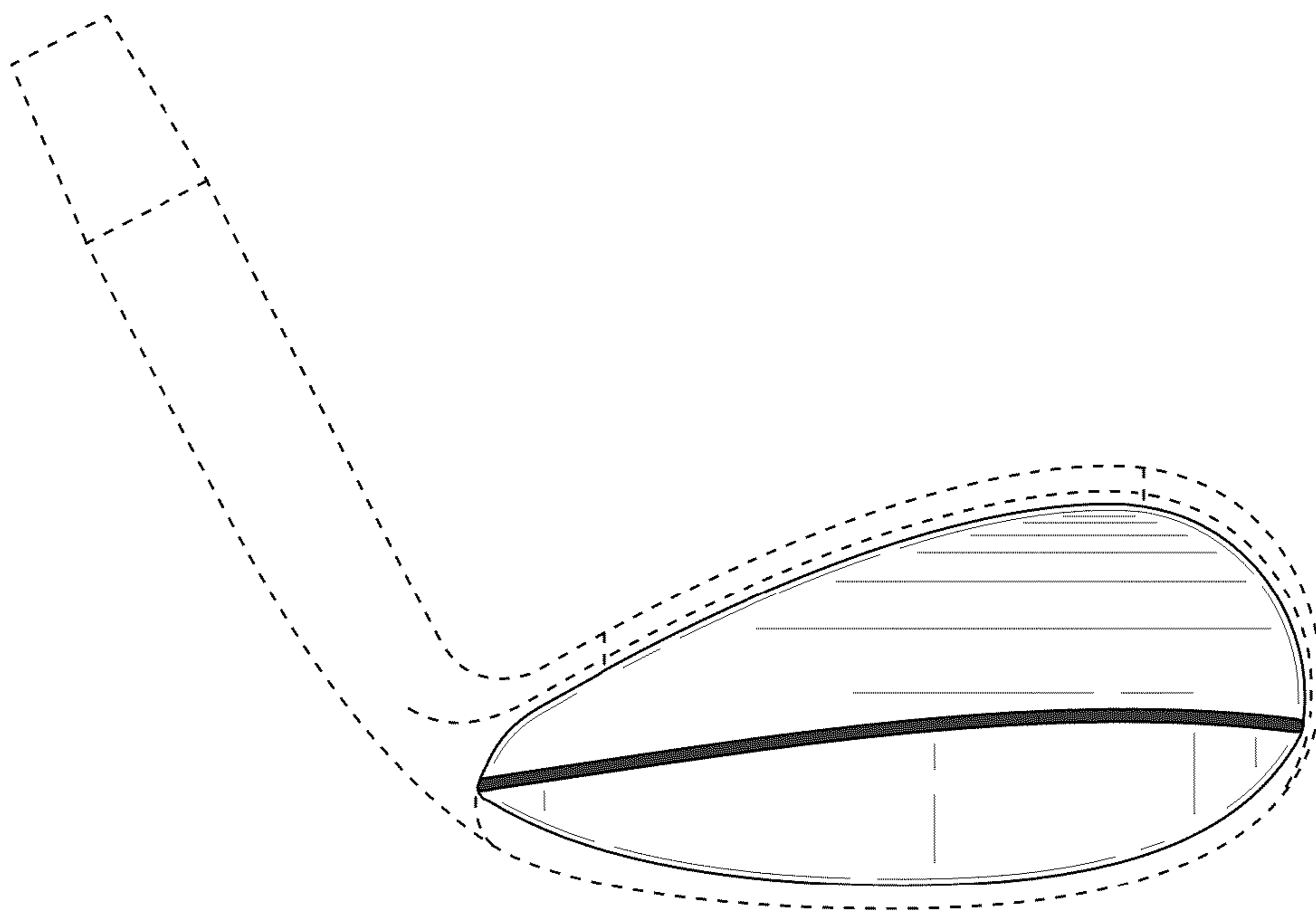


FIG. 2

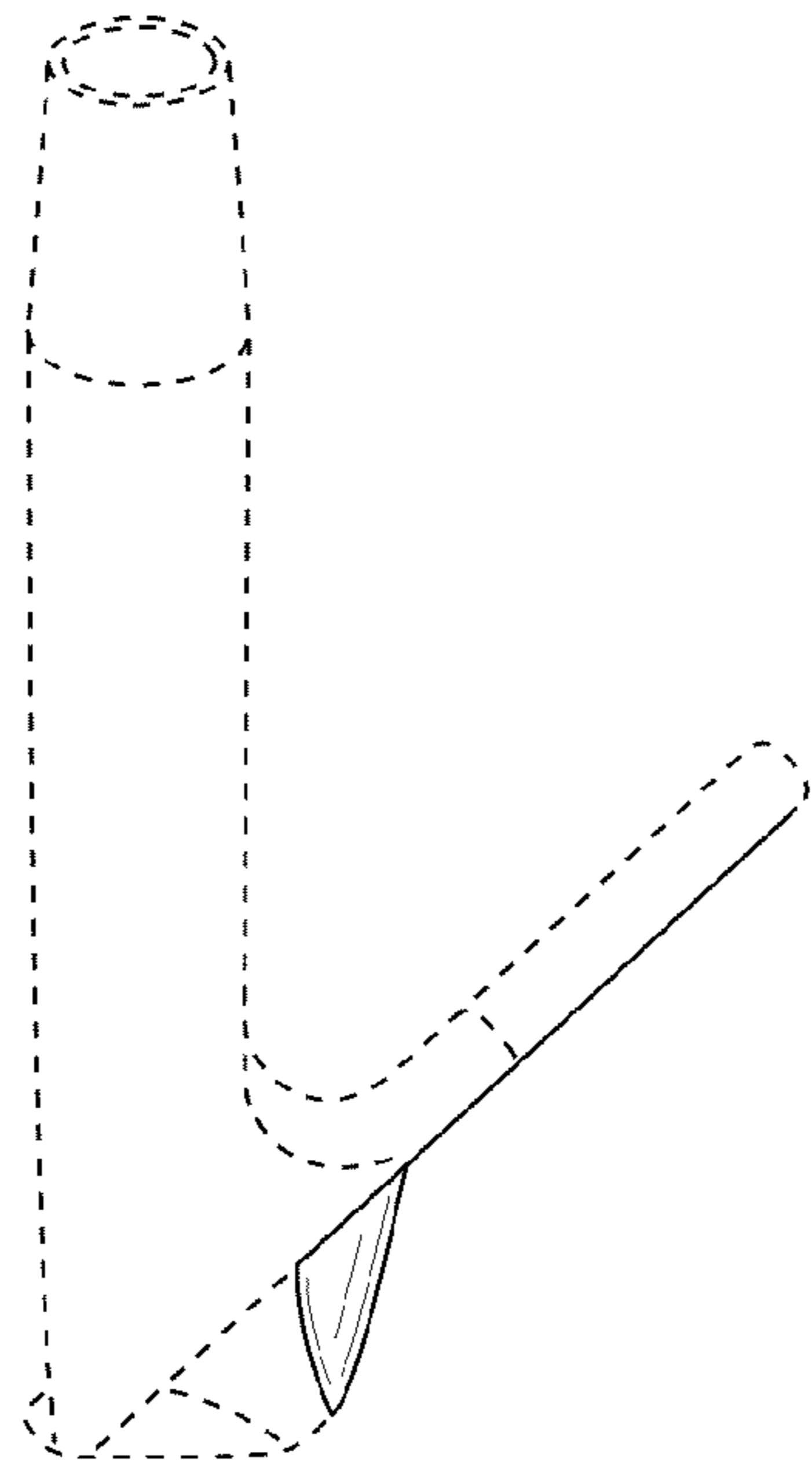


FIG. 3

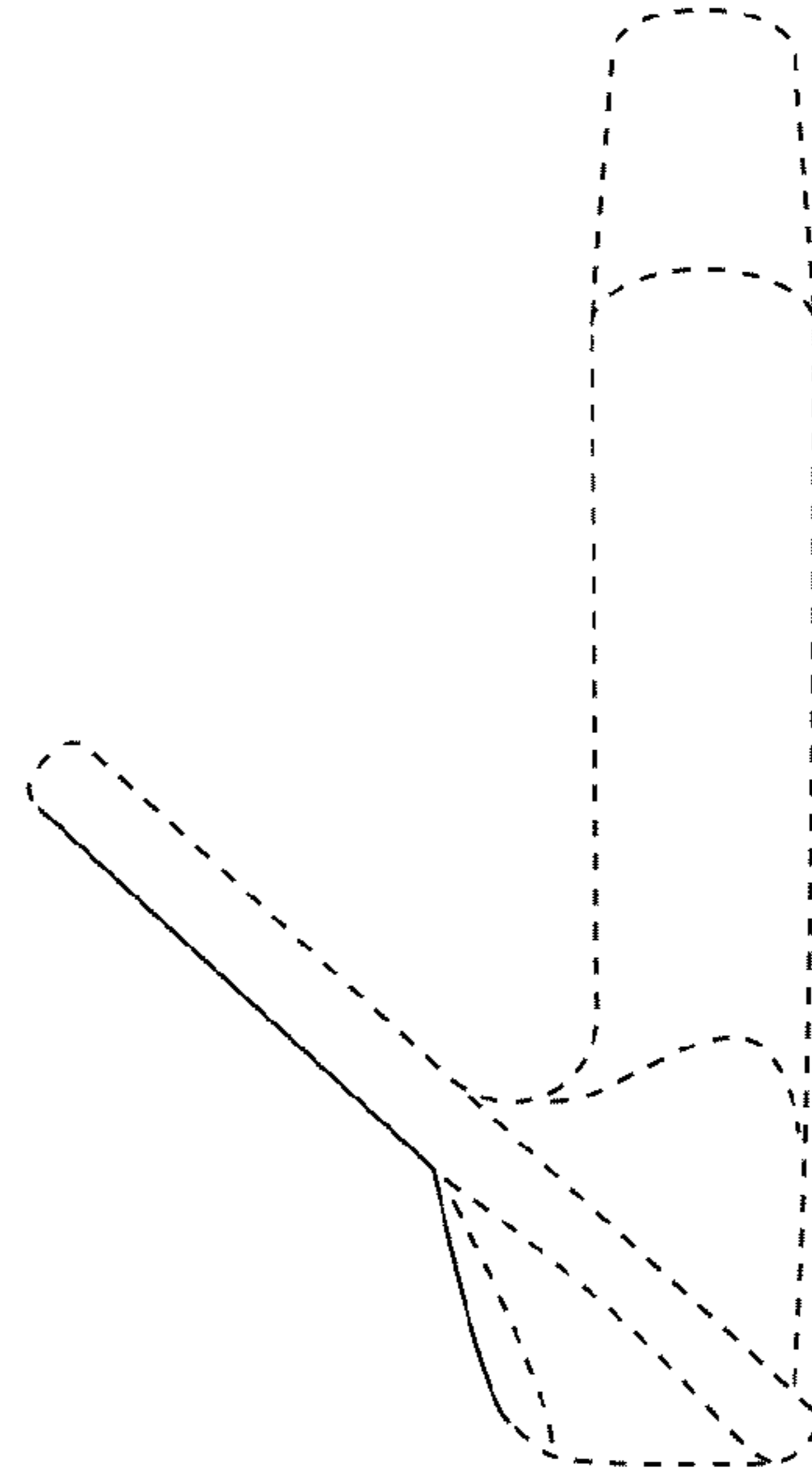


FIG. 4

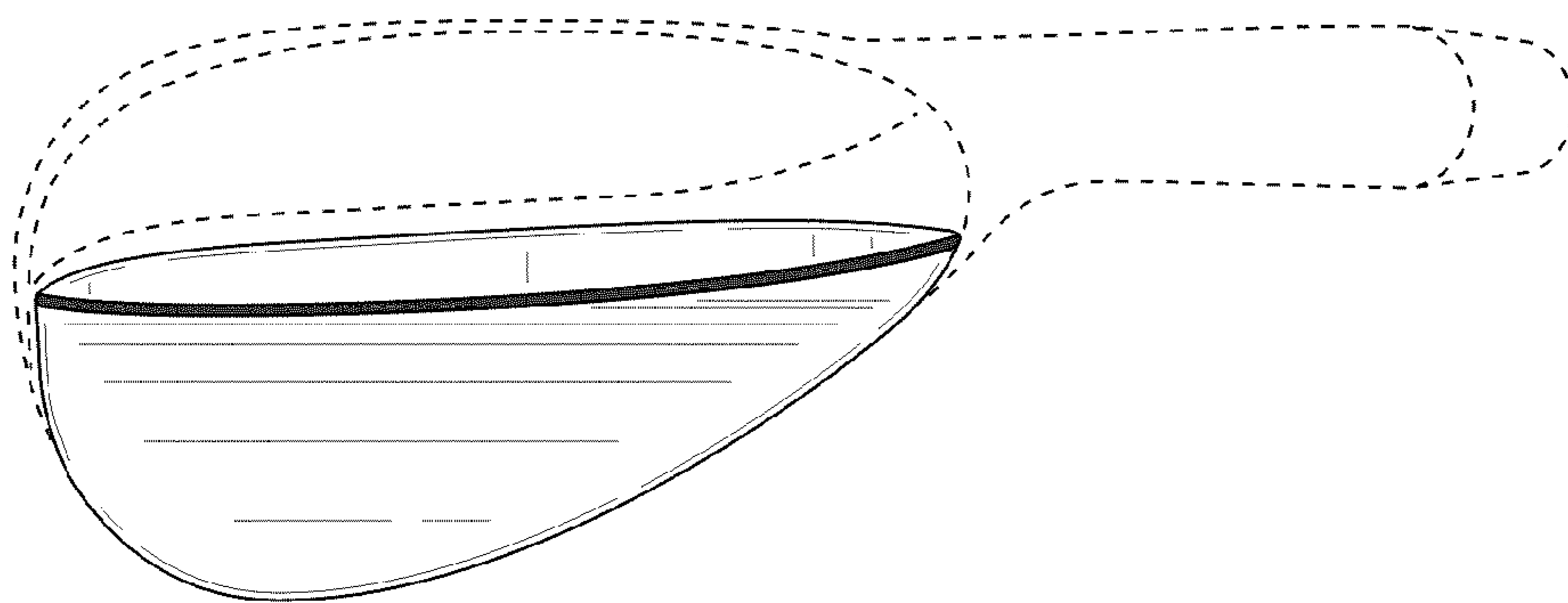


FIG. 5