



US00D589105S

(12) **United States Design Patent**  
**Oldknow**

(10) **Patent No.:** **US D589,105 S**  
(45) **Date of Patent:** **\*\* Mar. 24, 2009**

(54) **GOLF CLUB HEAD WITH RED STRIPE**

(75) Inventor: **Andrew G. V. Oldknow**, Portland, OR  
(US)

(73) Assignee: **Nike, Inc.**, Beaverton, OR (US)

(\*\*) Term: **14 Years**

(21) Appl. No.: **29/329,506**

(22) Filed: **Dec. 16, 2008**

(51) **LOC (9) Cl.** ..... **21-02**

(52) **U.S. Cl.** ..... **D21/759**

(58) **Field of Classification Search** ..... D21/747-751,  
D21/759; 473/324-331, 350

See application file for complete search history.

(56) **References Cited**

**U.S. PATENT DOCUMENTS**

D319,858 S *	9/1991	Antonious	.....	D21/748
D360,925 S *	8/1995	Antonious	.....	D21/748
D361,358 S	8/1995	Simmons		
D377,381 S *	1/1997	Takahashi et al.	.....	D21/748
5,590,881 A	1/1997	Jernigan		
D383,820 S *	9/1997	Watanabe	.....	D21/749
D428,635 S *	7/2000	Nagai et al.	.....	D21/759
D432,611 S	10/2000	McCabe et al.		
6,290,607 B1	9/2001	Gilbert et al.		
6,482,104 B1	11/2002	Gilbert		
D466,576 S *	12/2002	Nagai et al.	.....	D21/759
D466,961 S *	12/2002	Nagai et al.	.....	D21/759
D467,292 S *	12/2002	Saraie et al.	.....	D21/749
D468,788 S	1/2003	Bode et al.		
D469,832 S	2/2003	Bode et al.		
D475,108 S	5/2003	Madore		
6,592,469 B2	7/2003	Gilbert		
D508,722 S *	8/2005	Iwata et al.	.....	D21/759
D511,553 S	11/2005	Madore		
D512,474 S	12/2005	Madore		
D512,475 S	12/2005	Madore		
D516,152 S	2/2006	Madore		
D517,146 S *	3/2006	Nishitani	.....	D21/759

D526,036 S *	8/2006	Nishitani	.....	D21/747
D531,689 S	11/2006	Gilbert et al.		
D531,690 S	11/2006	Gilbert et al.		
D532,850 S *	11/2006	Oldknow	.....	D21/748
D534,609 S	1/2007	Gilbert et al.		
D540,901 S	4/2007	Gilbert et al.		
D541,363 S	4/2007	Gilbert et al.		
D577,088 S	9/2008	Clausen et al.		

**OTHER PUBLICATIONS**

Goldsmith 97, p. 11, Goldsmith Lady Sterling.  
Edwin Watts Spring 2000, p. 80, T-Zoid True Forged Irons.  
Edwin Watts Holiday 2004, p. 28, Di5 Distance Irons.

\* cited by examiner

*Primary Examiner*—Mitchell I Siegel

(74) *Attorney, Agent, or Firm*—Banner & Witcoff, Ltd.

(57) **CLAIM**

The ornamental design for a golf club head with red stripe, as shown and described.

**DESCRIPTION**

The file of this application contains at least one drawing executed in color. Copies of this application with color drawings will be provided by the Office upon request and payment of the necessary fee.

FIG. 1 is a perspective view of a golf club head showing my new design;

FIG. 2 is a rear view thereof;

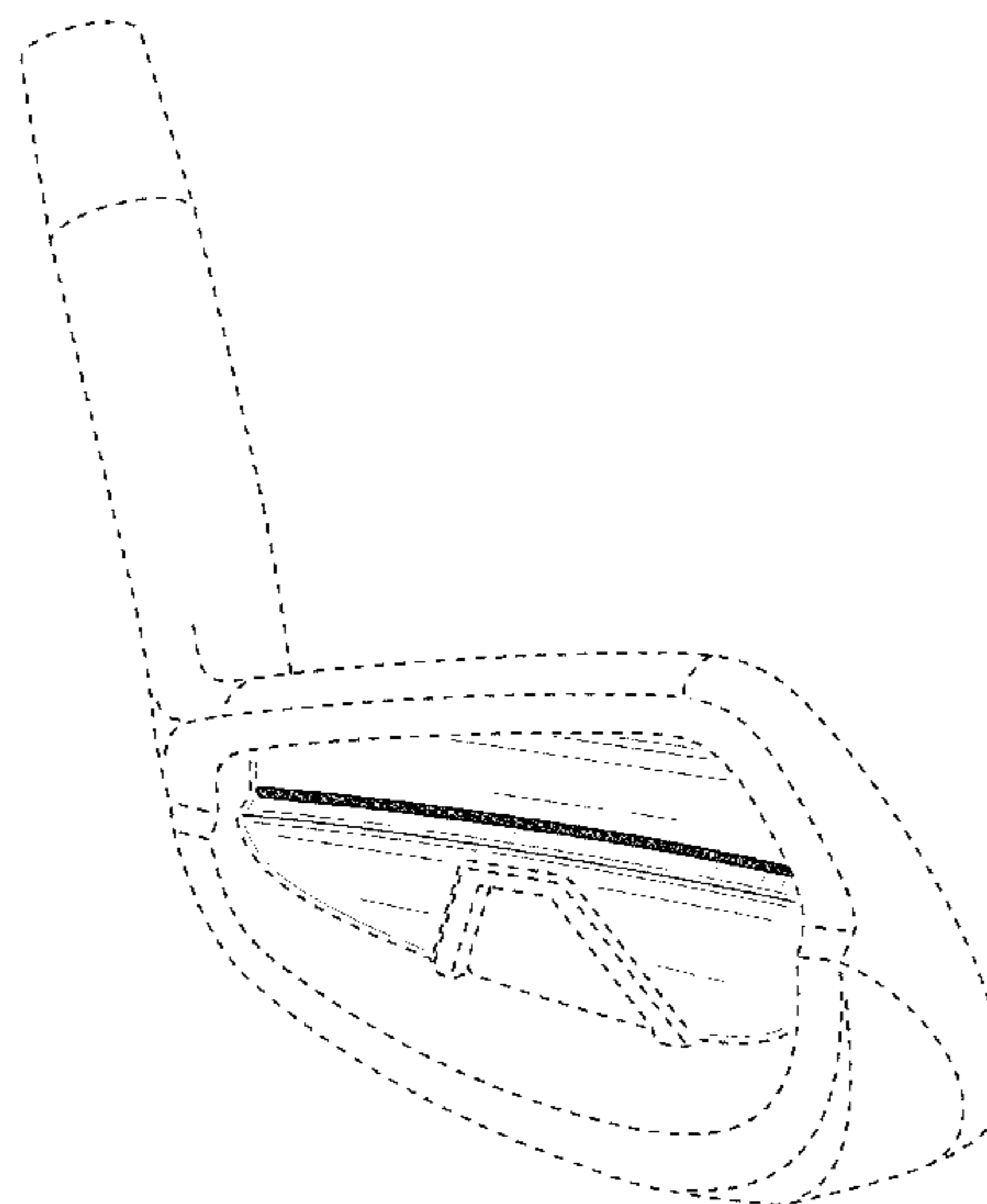
FIG. 3 is a heel end view thereof; and,

FIG. 4 is a bottom view thereof.

The stripe shown on the golf club head in the figures is colored red.

The broken line showing of the remainder of the golf club head is for environmental purposes only and forms no part of the claimed design.

**1 Claim, 3 Drawing Sheets**  
**(2 of 3 Drawing Sheet(s) Filed in Color)**



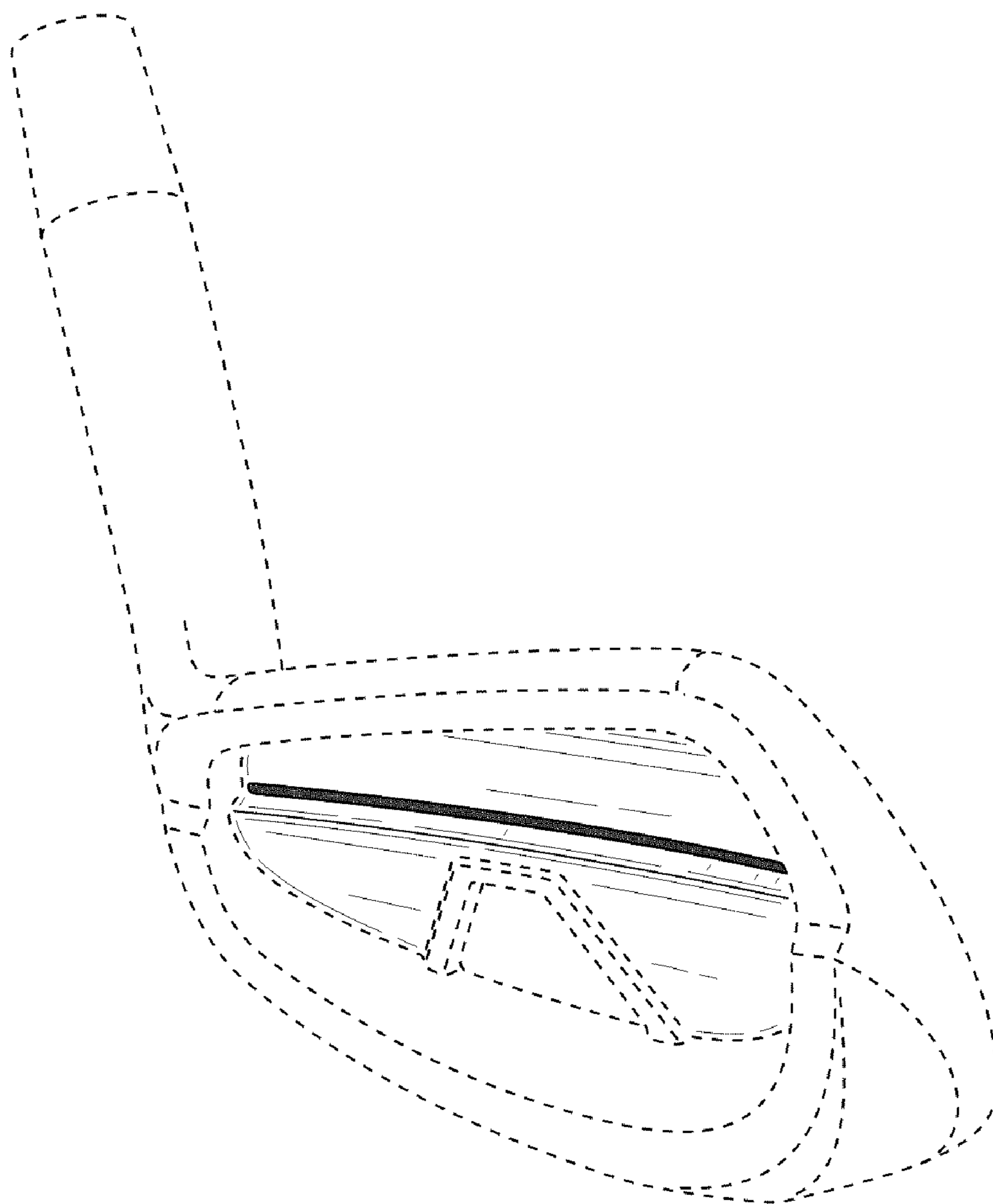


FIG. 1

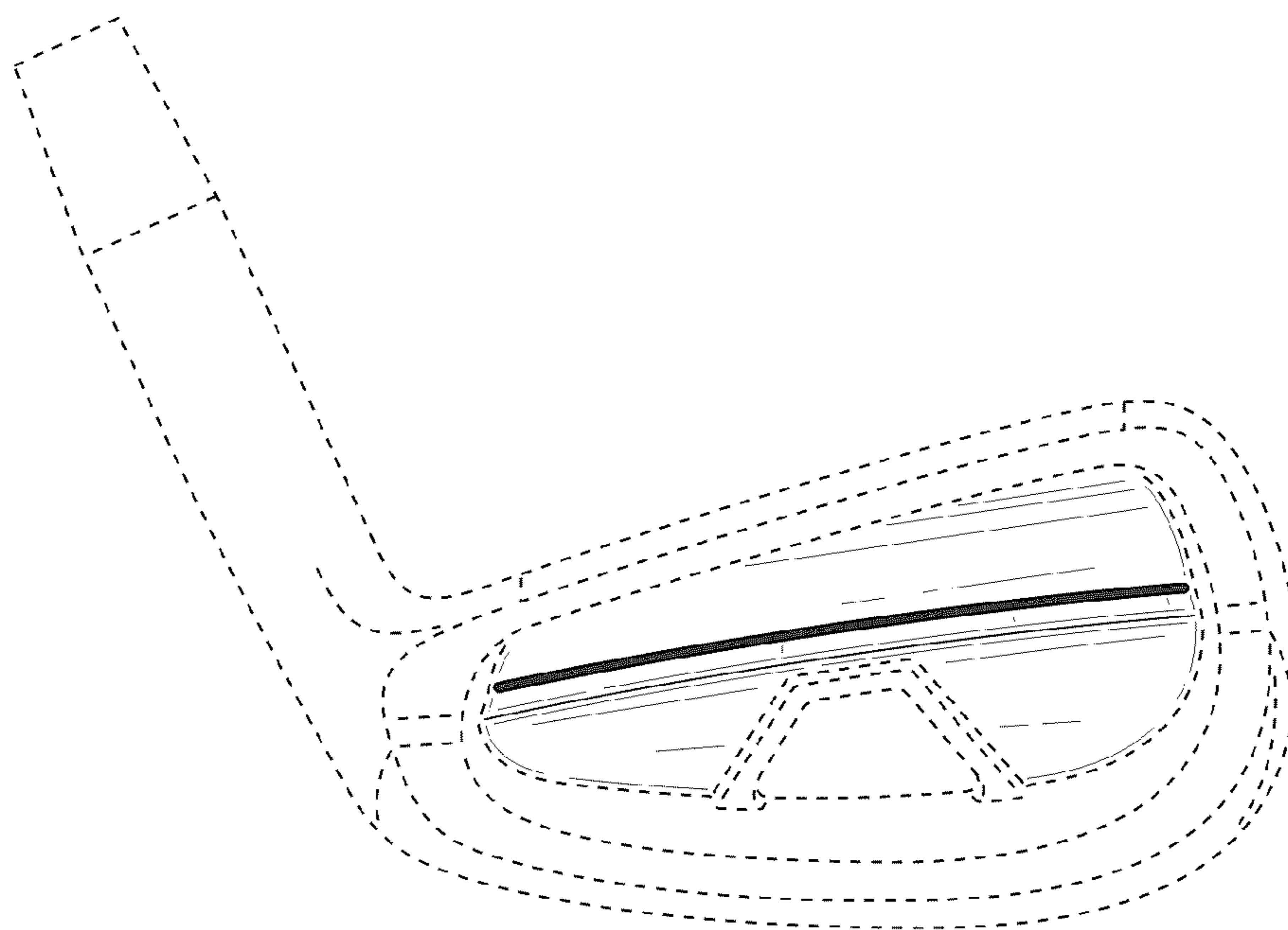


FIG. 2

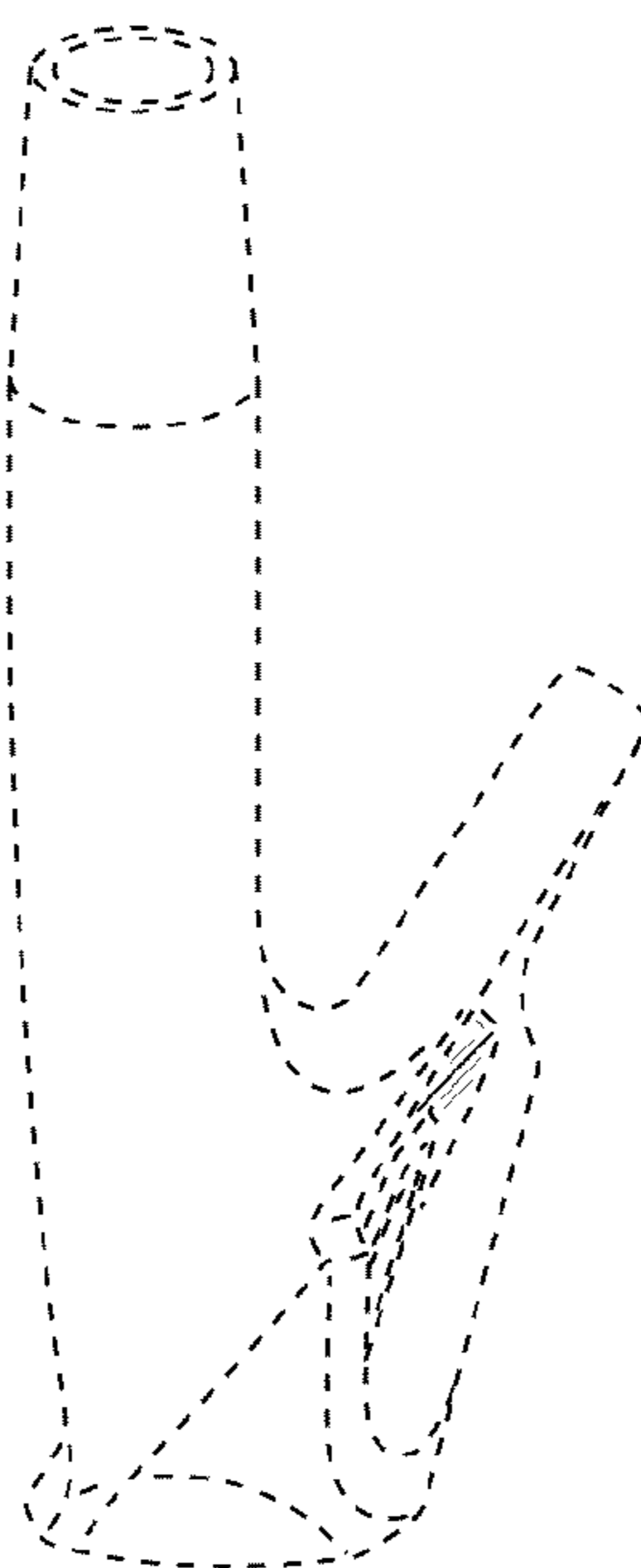


FIG. 3

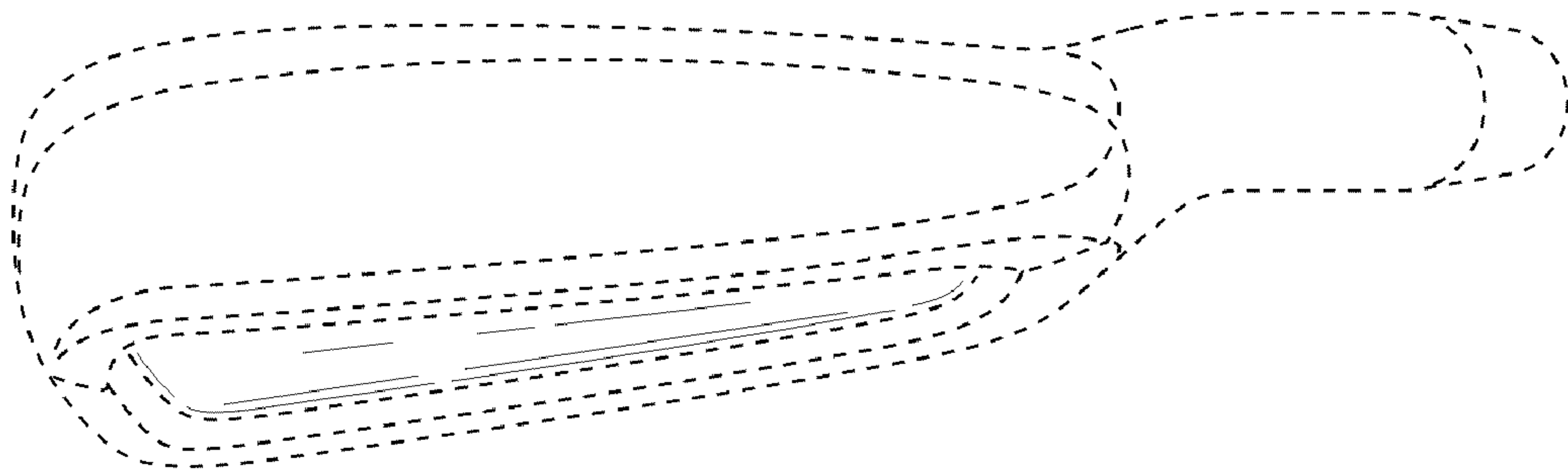


FIG. 4