



US00D589104S

(12) **United States Design Patent**
Kuan

(10) **Patent No.:** **US D589,104 S**
(45) **Date of Patent:** **** Mar. 24, 2009**

(54) **GOLF CLUB HEAD**

JP D1322036 2/2008

(75) Inventor: **Jimmy H. Kuan**, West Covina, CA (US)

(73) Assignee: **Roger Cleveland Golf Co., Inc.**,
Huntington Beach, CA (US)

(**) Term: **14 Years**

(21) Appl. No.: **29/327,480**

(22) Filed: **Nov. 6, 2008**

(51) **LOC (9) Cl.** **21-02**

(52) **U.S. Cl.** **D21/759**

(58) **Field of Classification Search** D21/733,
D21/752, 759; 473/324-331, 343-346

See application file for complete search history.

(56) **References Cited**

U.S. PATENT DOCUMENTS

D520,585 S *	5/2006	Hasebe	D21/752
D523,103 S *	6/2006	Hocknell et al.	D21/752
D523,104 S *	6/2006	Hasebe	D21/752
D553,210 S *	10/2007	Harvell et al.	D21/752
D553,211 S *	10/2007	Harvell et al.	D21/752
D556,280 S *	11/2007	Madore	D21/752
D577,400 S *	9/2008	Oldknow et al.	D21/759
D577,401 S *	9/2008	Oldknow et al.	D21/759
D577,402 S *	9/2008	Oldknow et al.	D21/759
D577,406 S *	9/2008	Oldknow et al.	D21/759
D577,780 S *	9/2008	Tang et al.	D21/752
D577,784 S *	9/2008	Oldknow et al.	D21/759
D577,785 S *	9/2008	Oldknow et al.	D21/759
D577,786 S *	9/2008	Oldknow et al.	D21/759
D577,787 S *	9/2008	Oldknow et al.	D21/759
D577,788 S *	9/2008	Oldknow et al.	D21/759

FOREIGN PATENT DOCUMENTS

JP	D1292272	1/2007
JP	D1309097	9/2007
JP	D1319268	1/2008

OTHER PUBLICATIONS

Dunlop XXIO Fairway Wood; http://www.golfgear.jp/club/wood/f_dunlop.html; Accessed Oct. 28, 2008.

Maruman Exim Nano II Driver; http://www.golfgear.jp/club/wood/d_maruman.html; Accessed Oct. 28, 2008.

Wilson TAB400 Driver; http://www.golfgear.jp/club/wood/d_wilson.html; Accessed Oct. 28, 2008.

Precept FD-X 460 Driver; <http://www.golfshop.com/gdoshop/ex/product/do/ldp/10/pfi/1155531/sbn/1/mfg/0>; Accessed Oct. 28, 2008.

Tour Edge Bazooka J-max QL hybrid; http://www.touredgogolf.jp/mensclub/iron/bazooka_jmax_ql_ironwood/; Accessed Oct. 28, 2008.

(Continued)

Primary Examiner—Mitchell I Siegel

(74) *Attorney, Agent, or Firm*—Oliff & Berridge, PLC

(57) **CLAIM**

The ornamental design for a golf club head, as shown and described.

DESCRIPTION

FIG. 1 is a bottom plan view of a golf club head embodying the inventive design.

FIG. 2 is a toe-side elevational view thereof.

FIG. 3 is a heel-side elevational view thereof.

FIG. 4 is a front elevational view thereof.

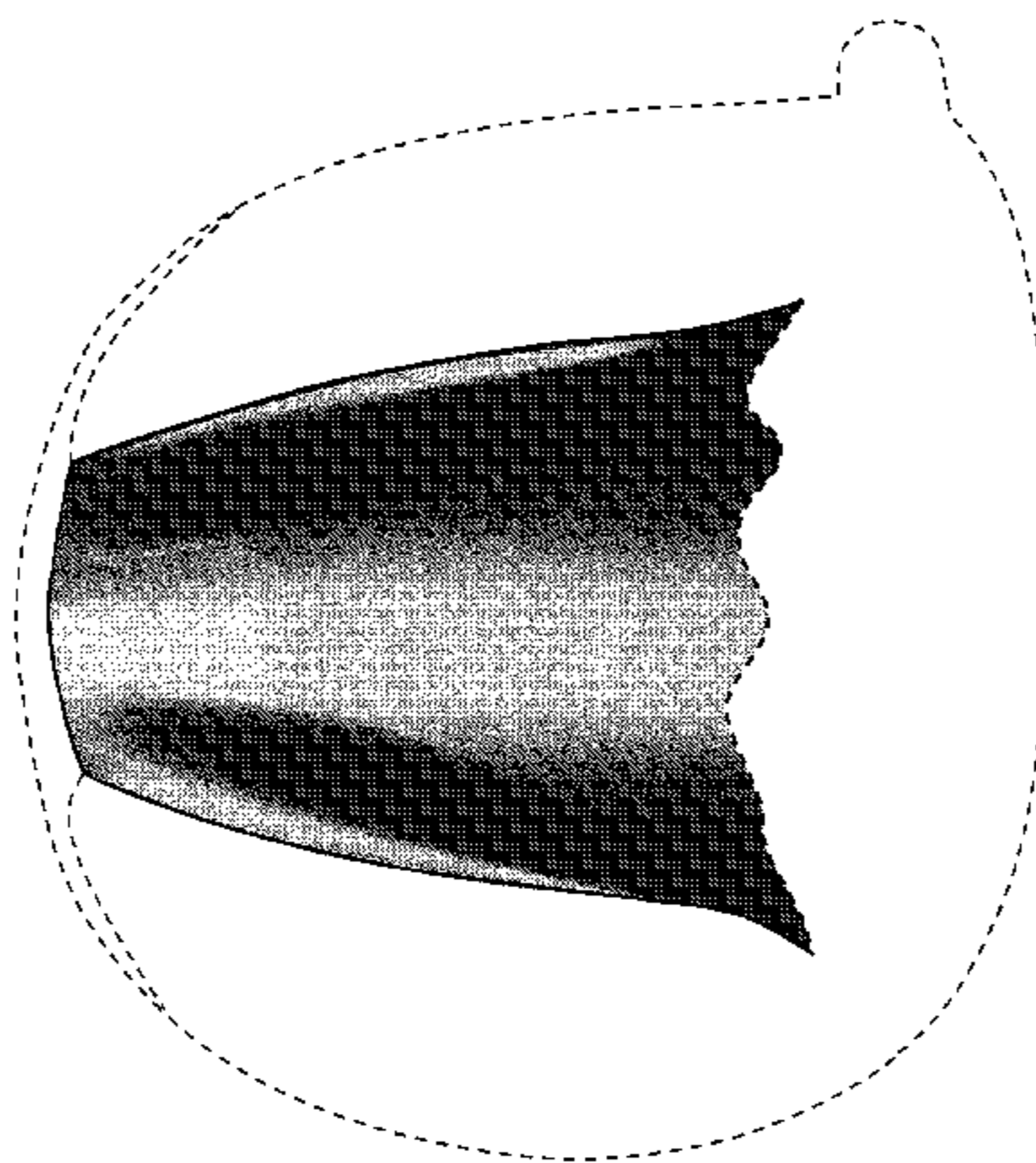
FIG. 5 is a rear elevational view thereof.

FIG. 6 is a rear perspective view thereof; and,

FIG. 7 is a top plan view thereof.

The broken lines showing various portions of the golf club head are for illustrative purposes only and form no part of the claimed design.

1 Claim, 7 Drawing Sheets



US D589,104 S

Page 2

OTHER PUBLICATIONS

Nickent 3DX Square Driver; http://golf-style.jp/one/gdo_39780_445.html; Accessed Oct. 28, 2008.

Titleist Pro Titanium 905T; http://www.amazon.com/Titleist-905T-GRAPH-SHAFT-TYPE/dp/images/B0018E5XUE/ref=dp_image_text_x_0?ie=UTF8&s=sporting-goods&img=0&qid=1225214535&sr=1-1&color%5Fname=x; Accessed Oct. 28, 2008.

Srixon WR Driver; <http://www.gdosshop.com/gdosshop/ex/product/do/ldp/10/pfi/1320361/sbn/1/mfg/0>; Accessed Oct. 28, 2008.

Mizuno A25 Driver; <http://www.gdosshop.com/gdosshop/ex/product/do/ldp/50/pfi/X651051/sbn/1/mfg/0>; Accessed Oct. 28, 2008.

King Cobra 454 Comp.; <http://www.cobragolf.com/images/pressreleases/454compdriver.jpg>; Accessed Oct. 28, 2008.

Maruman Exim Nano Driver; http://www.gdosshop.com/gdosshop/ex/extra_image/do/ldp/10/pfi/1404881/sbn/1/mfg/0; Accessed Oct. 28, 2008.

* cited by examiner

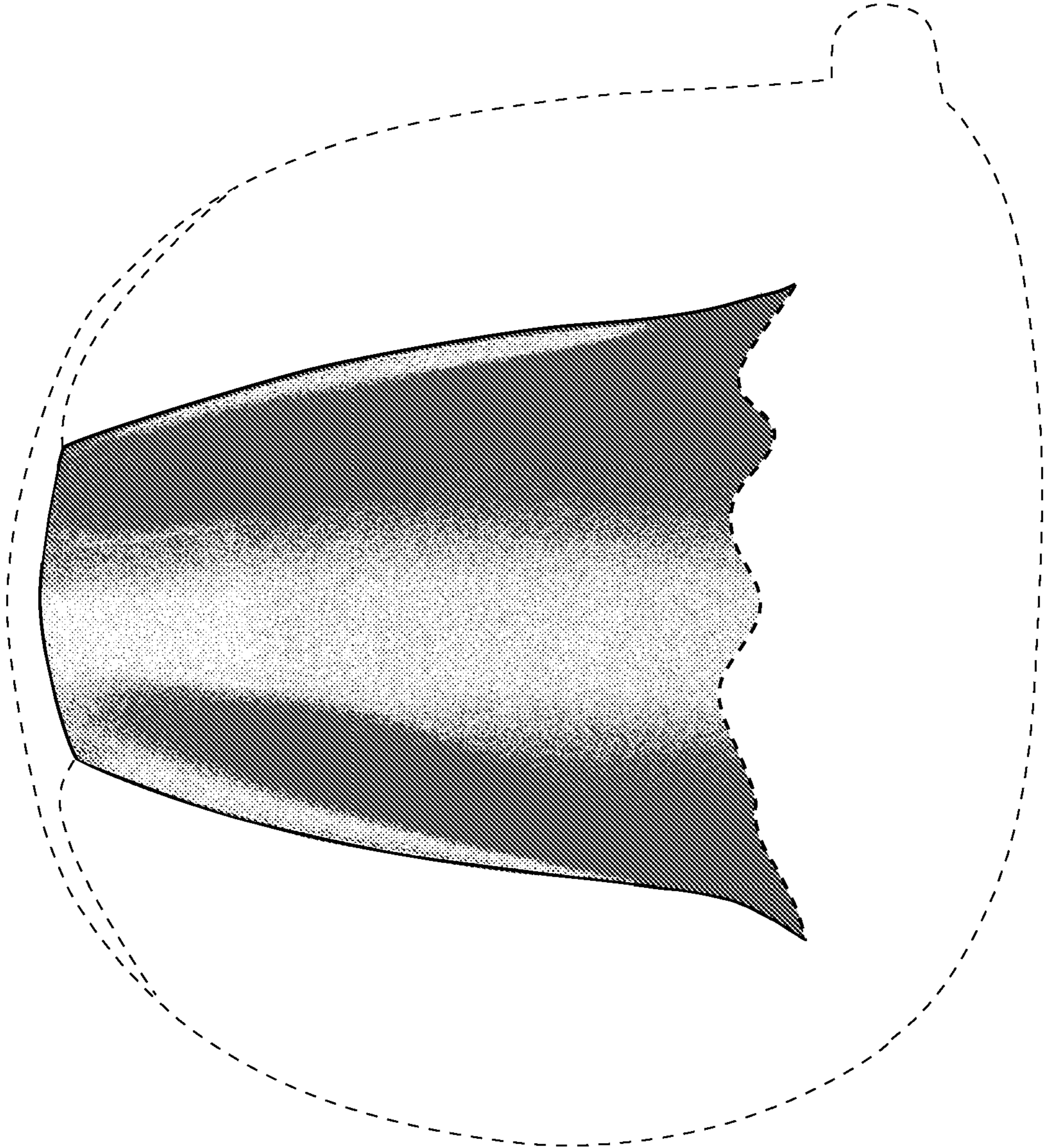


FIG. 1

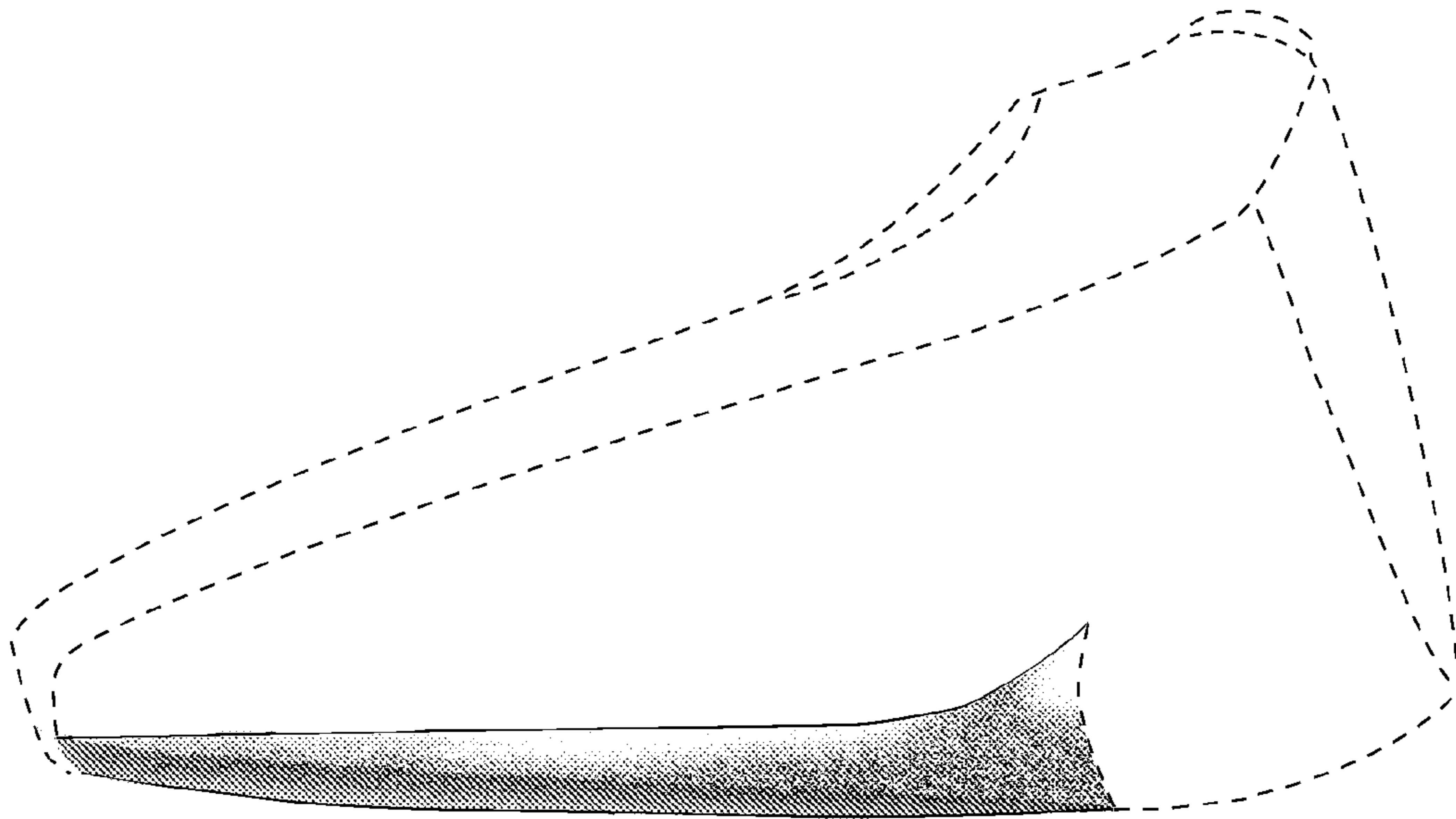


FIG. 2

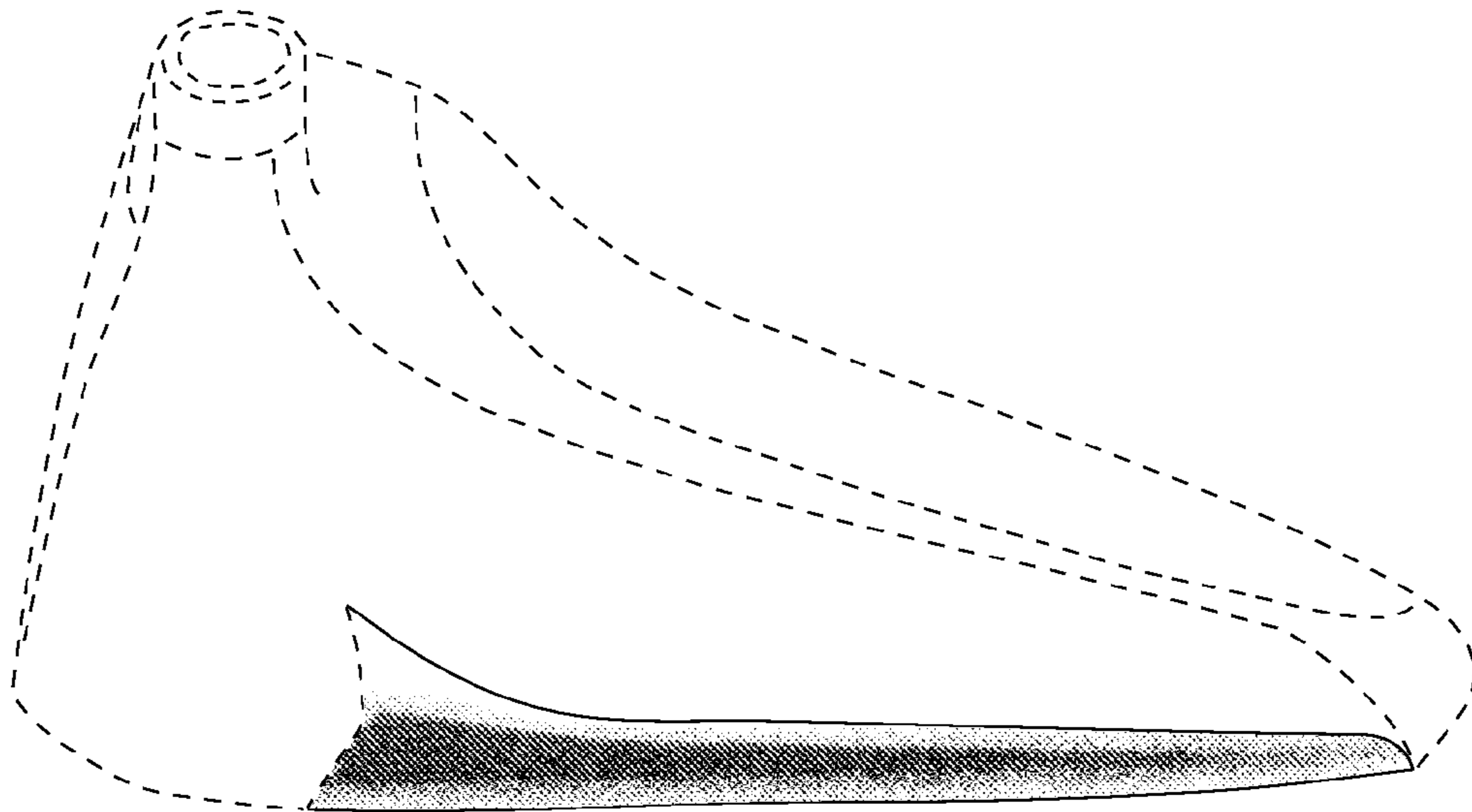


FIG. 3

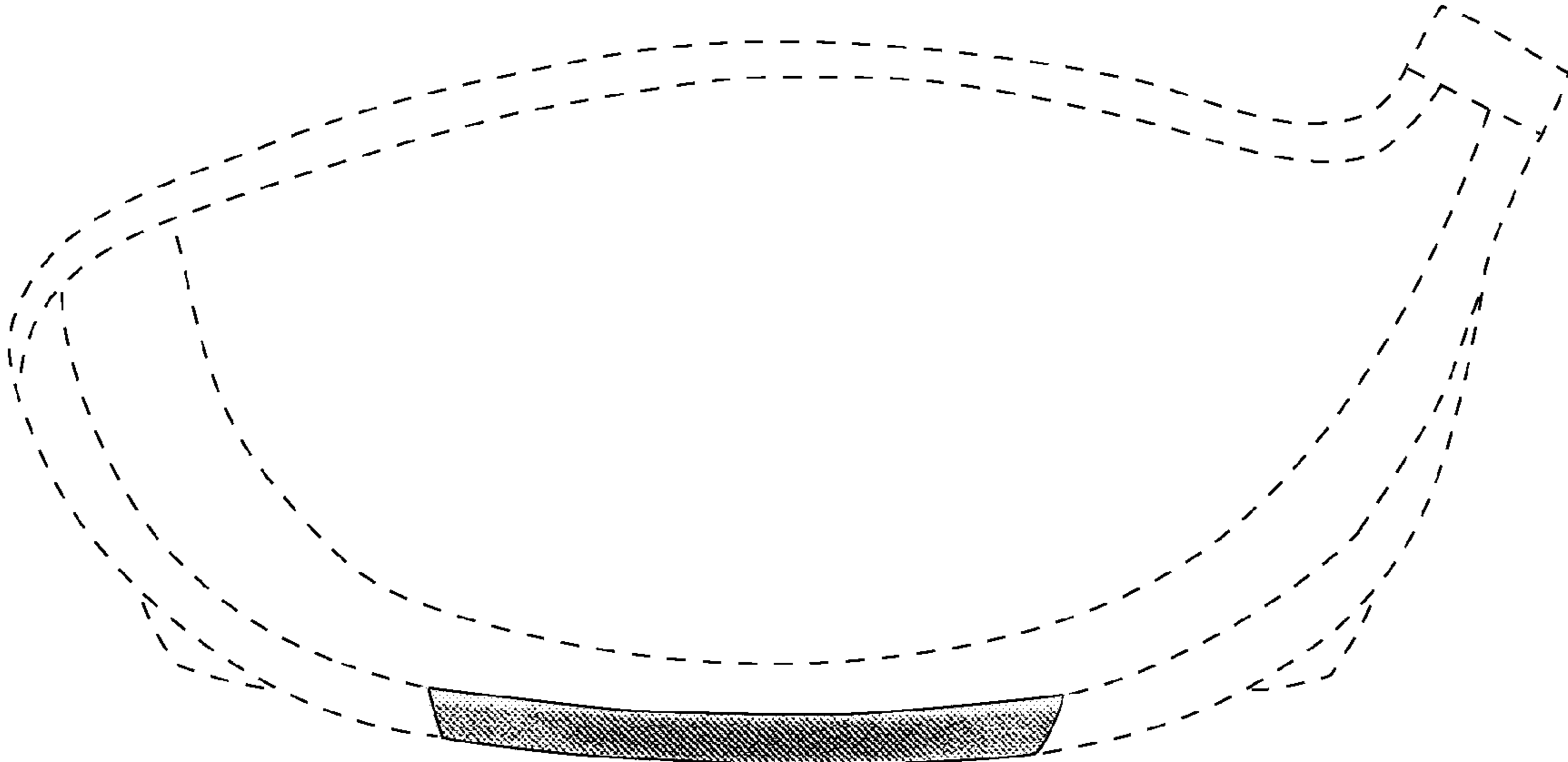


FIG. 4

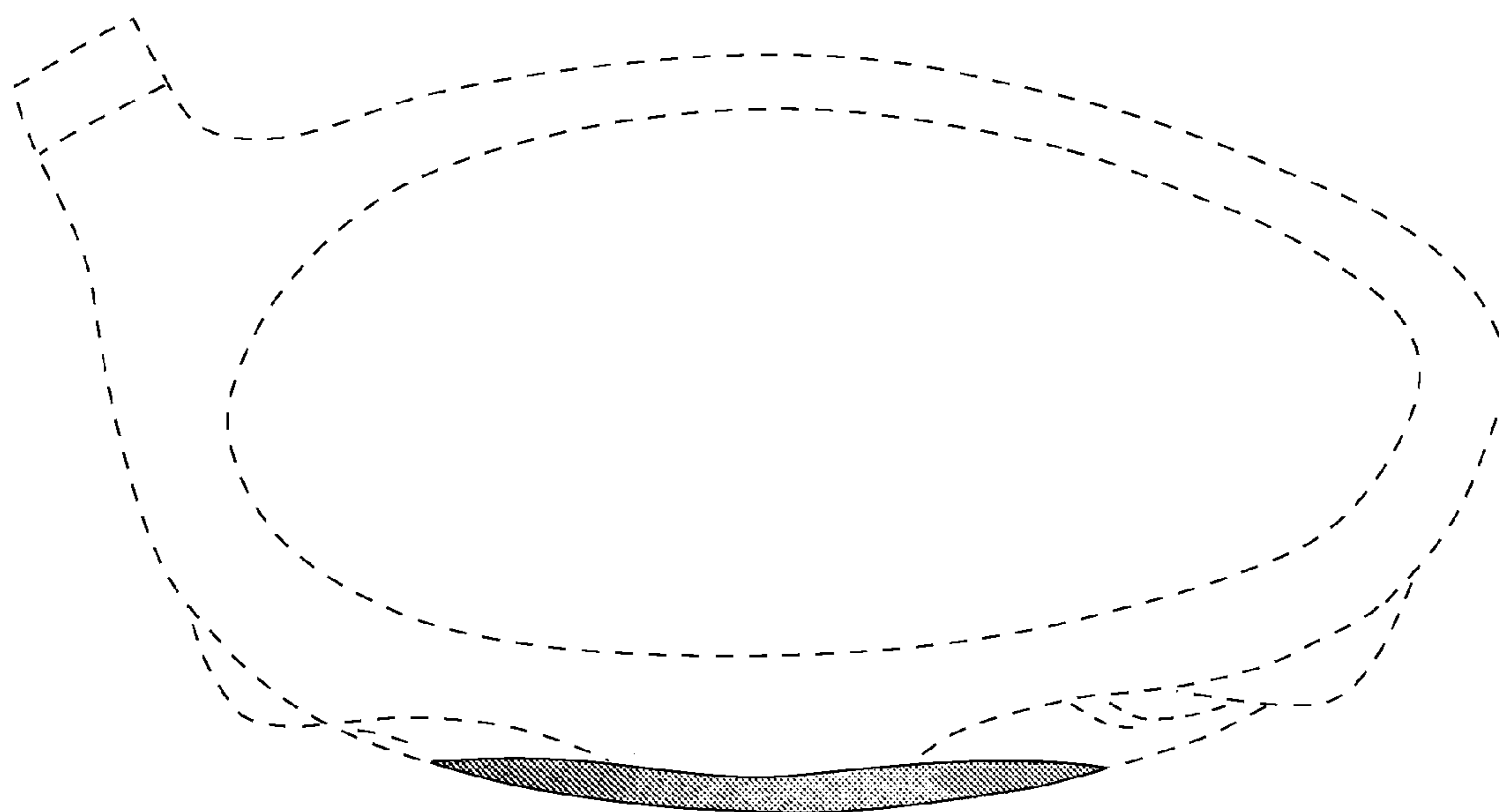


FIG. 5

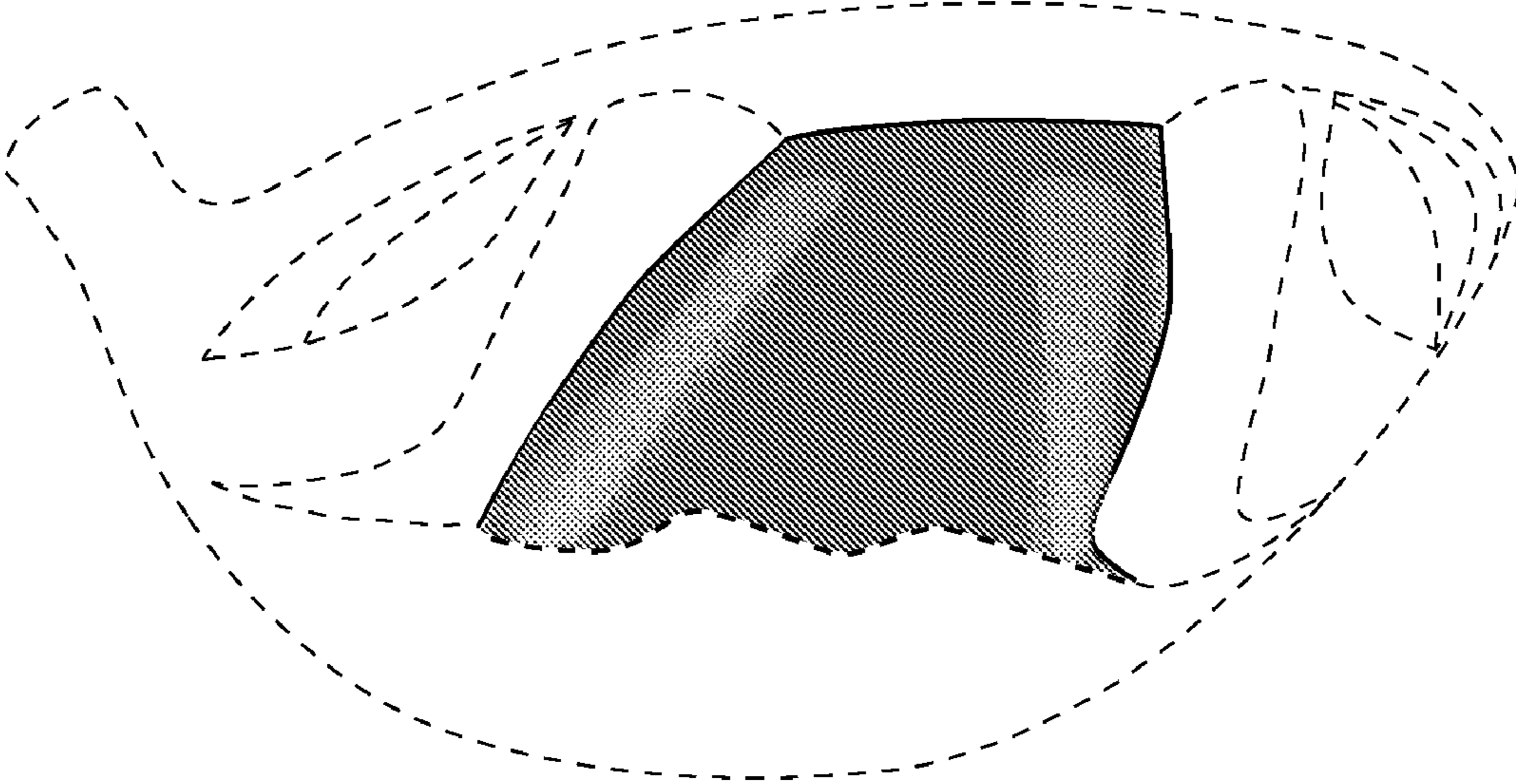


FIG. 6

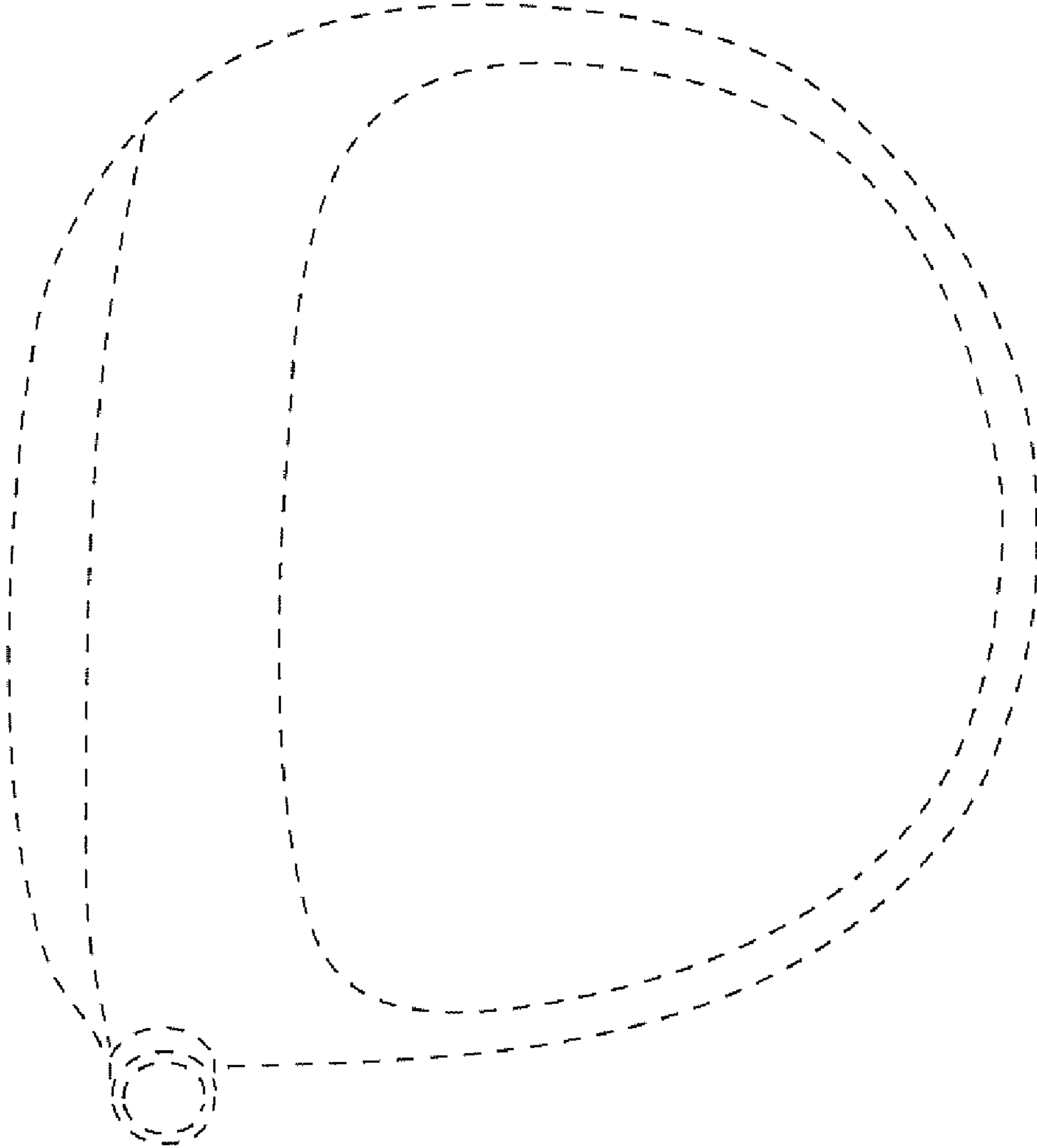


FIG. 7