



US00D589103S

(12) **United States Design Patent**
Kohno

(10) **Patent No.:** **US D589,103 S**
(45) **Date of Patent:** **** Mar. 24, 2009**

(54) **HEAD FOR GOLF CLUB**

(75) Inventor: **Masaru Kohno**, Kobe (JP)
(73) Assignee: **SRI Sports Ltd.**, Kobe-shi (JP)
(**) Term: **14 Years**
(21) Appl. No.: **29/290,822**
(22) Filed: **Jan. 17, 2008**

(51) **LOC (9) Cl.** **21-02**
(52) **U.S. Cl.** **D21/759**
(58) **Field of Classification Search** D21/733,
D21/752, 753, 759; 473/324–331, 343–346
See application file for complete search history.

(56) **References Cited**

U.S. PATENT DOCUMENTS

D507,615 S	*	7/2005	Imamoto	D21/752
D526,374 S	*	8/2006	Kawami	D21/759
D533,612 S	*	12/2006	Kohno	D21/759
D534,980 S	*	1/2007	Kohno	D21/759
D562,422 S	*	2/2008	Roberts et al.	D21/759
D562,926 S	*	2/2008	Roberts et al.	D21/759
D563,498 S	*	3/2008	Jertson et al.	D21/752
D564,054 S	*	3/2008	Jertson et al.	D21/752

FOREIGN PATENT DOCUMENTS

JP D1260837 S 1/2006

OTHER PUBLICATIONS

Maruman, Golf Catalog 2007, "Majesty". Feb. 2007, Maruman Kabushiki Kaisha.
Golf Equipment Sogo Catalog, p. 184, Ping Golf Japan Kabushiki Kaisha, "Rapture", Feb. 23, 2007, Published by Kabushiki Kaisha Universal Golf.

* cited by examiner

Primary Examiner—Mitchell I Siegel

(74) *Attorney, Agent, or Firm*—Birch, Stewart, Kolasch & Birch, LLP

(57) **CLAIM**

The ornamental design for a head for golf club, as shown and described.

DESCRIPTION

FIG. 1 is a perspective view of a head for golf club;
FIG. 2 is a front view thereof;
FIG. 3 is a left side view thereof;
FIG. 4 is a top view thereof; and,
FIG. 5 is a bottom view thereof.

The portion shown by broken lines is for illustrative purposes only and forms no part of the claimed design. The dashed lines show a borderline between the claimed design and other portion.

1 Claim, 3 Drawing Sheets

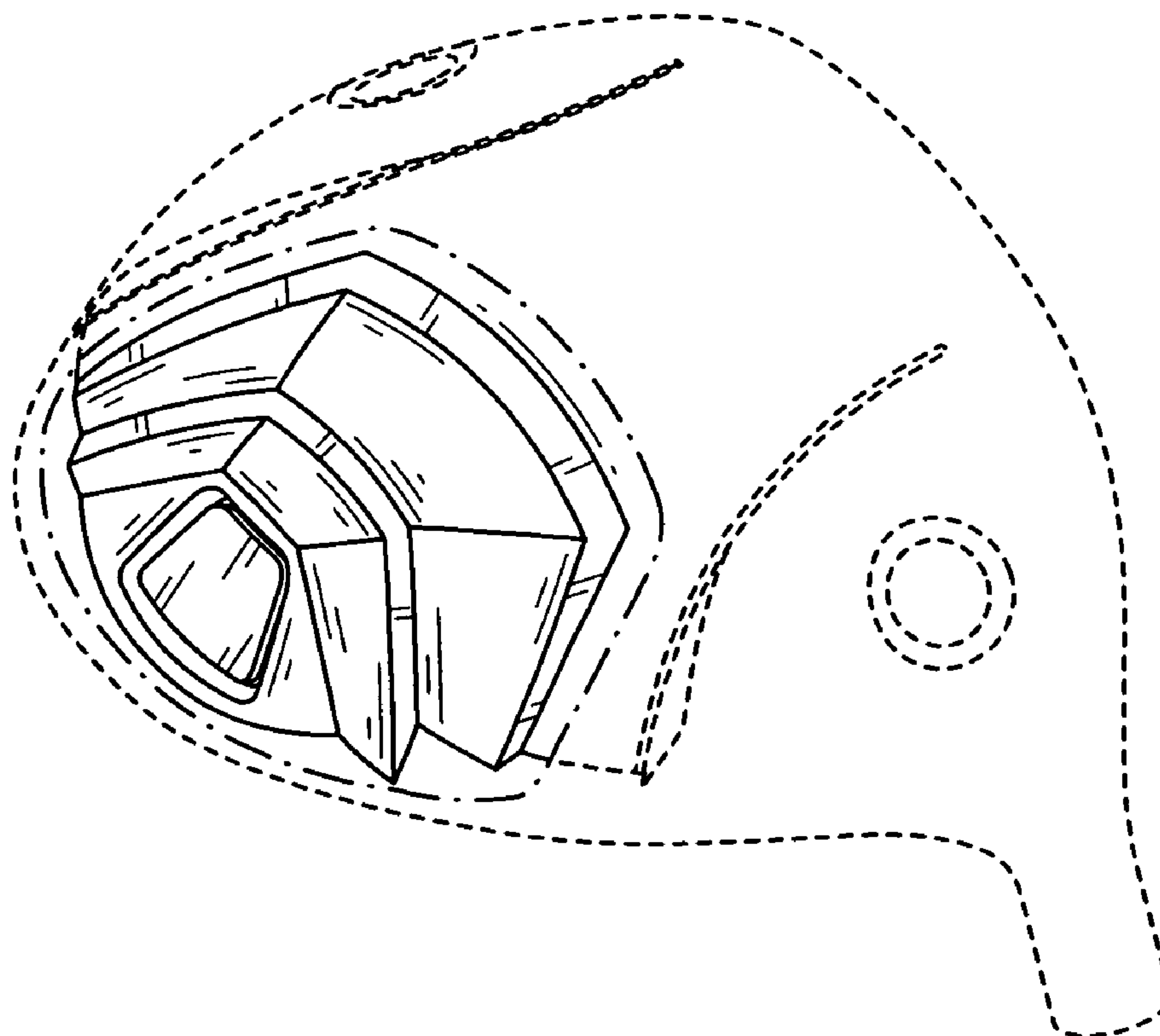


Fig.1

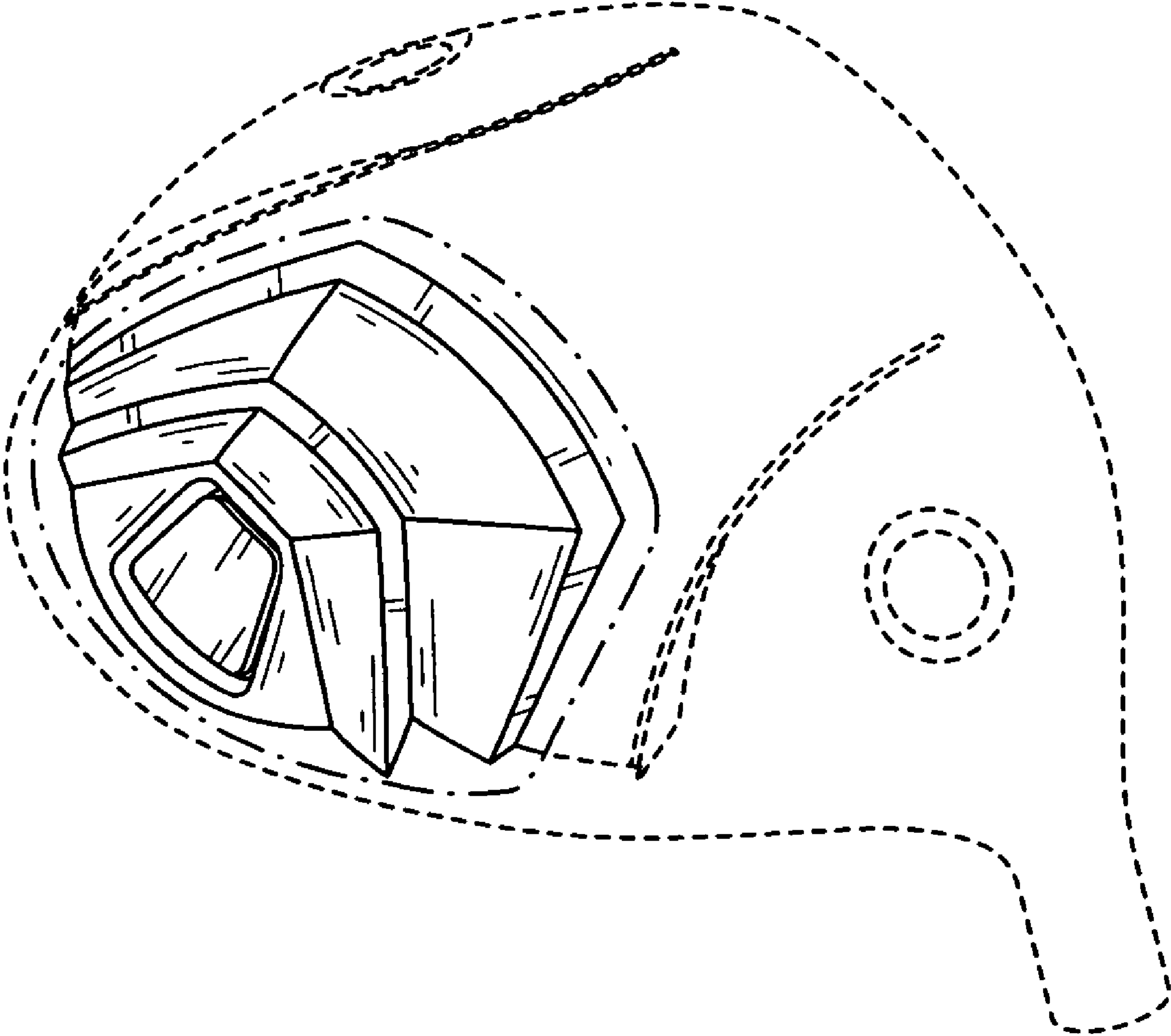


Fig.2

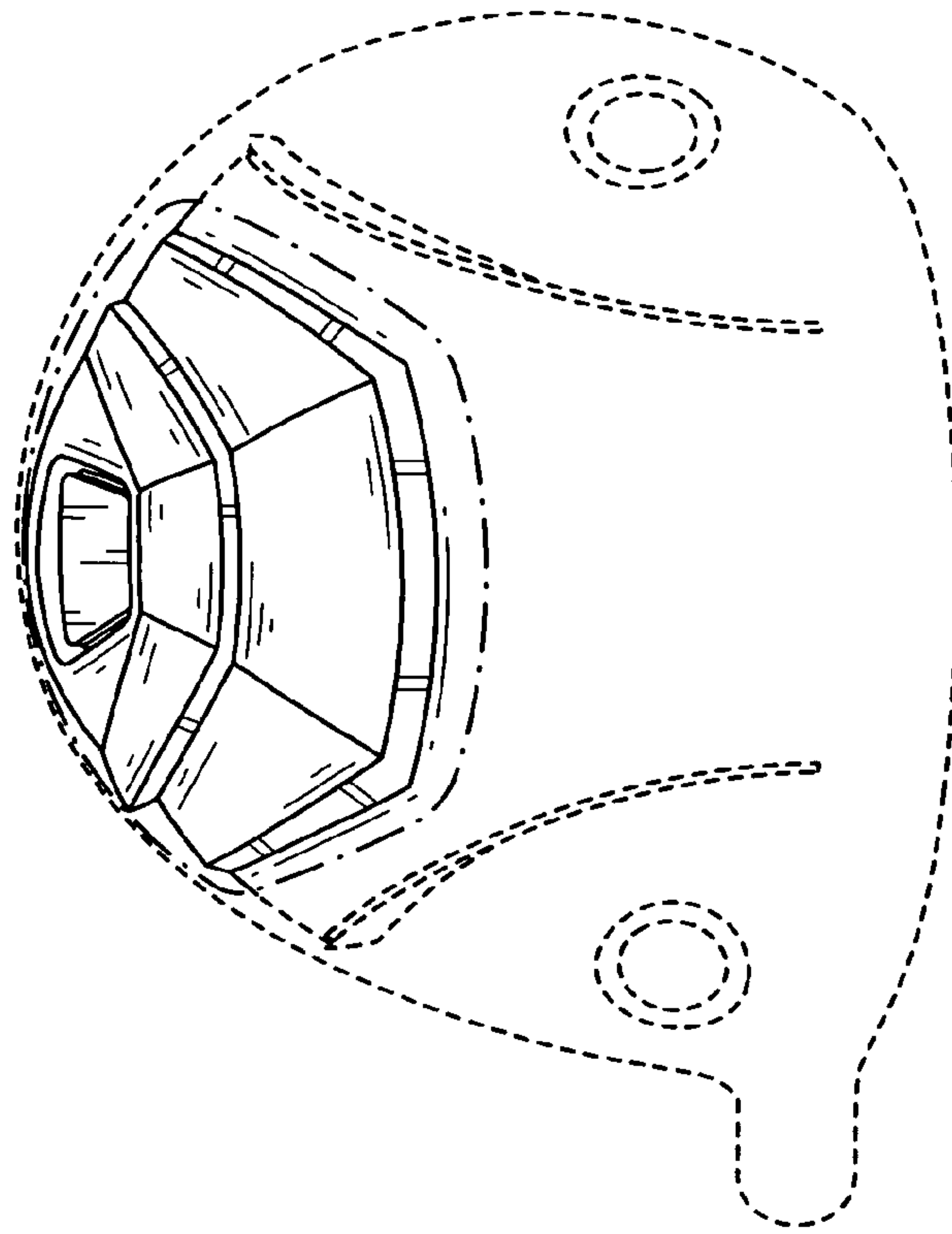


Fig.3

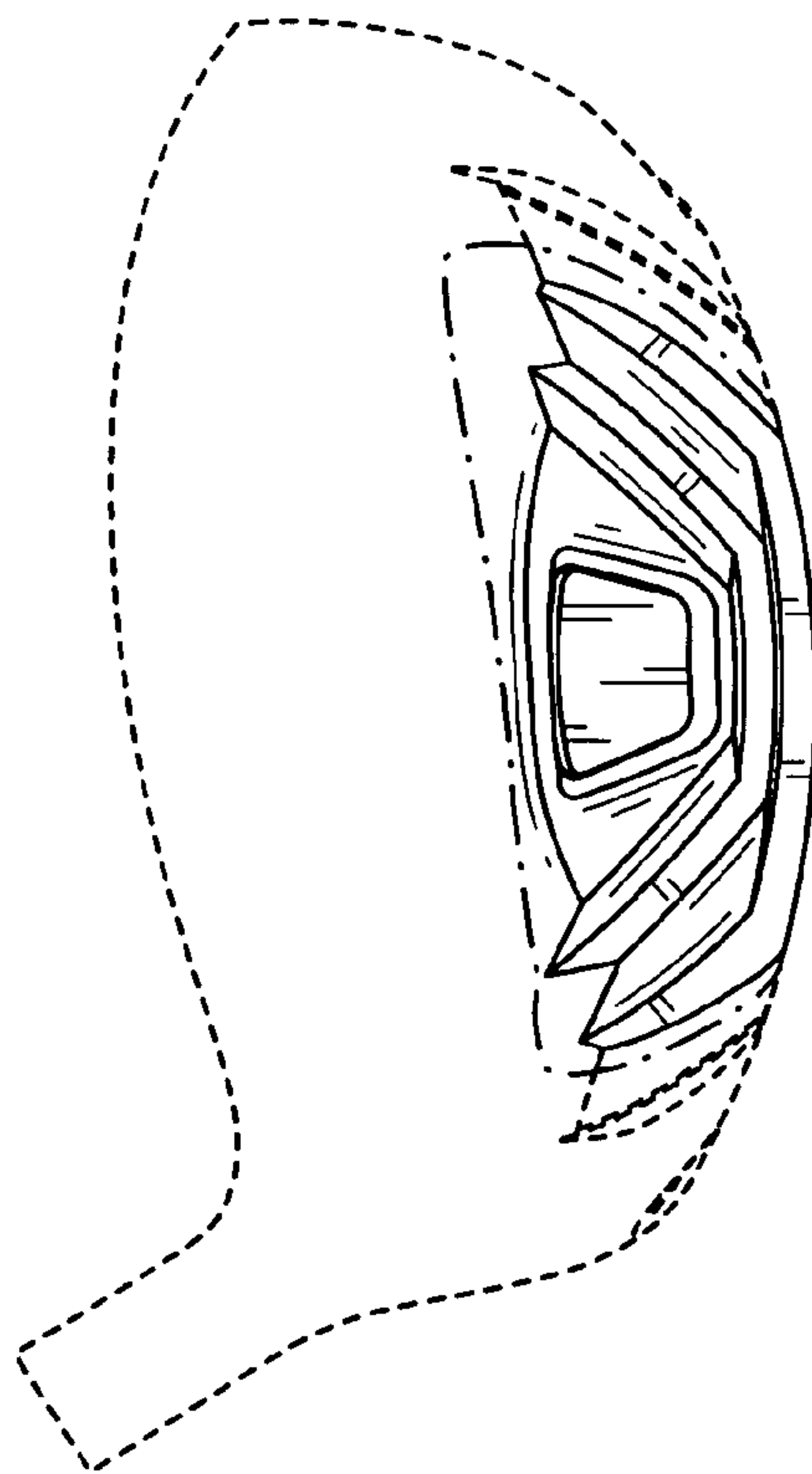


Fig.4

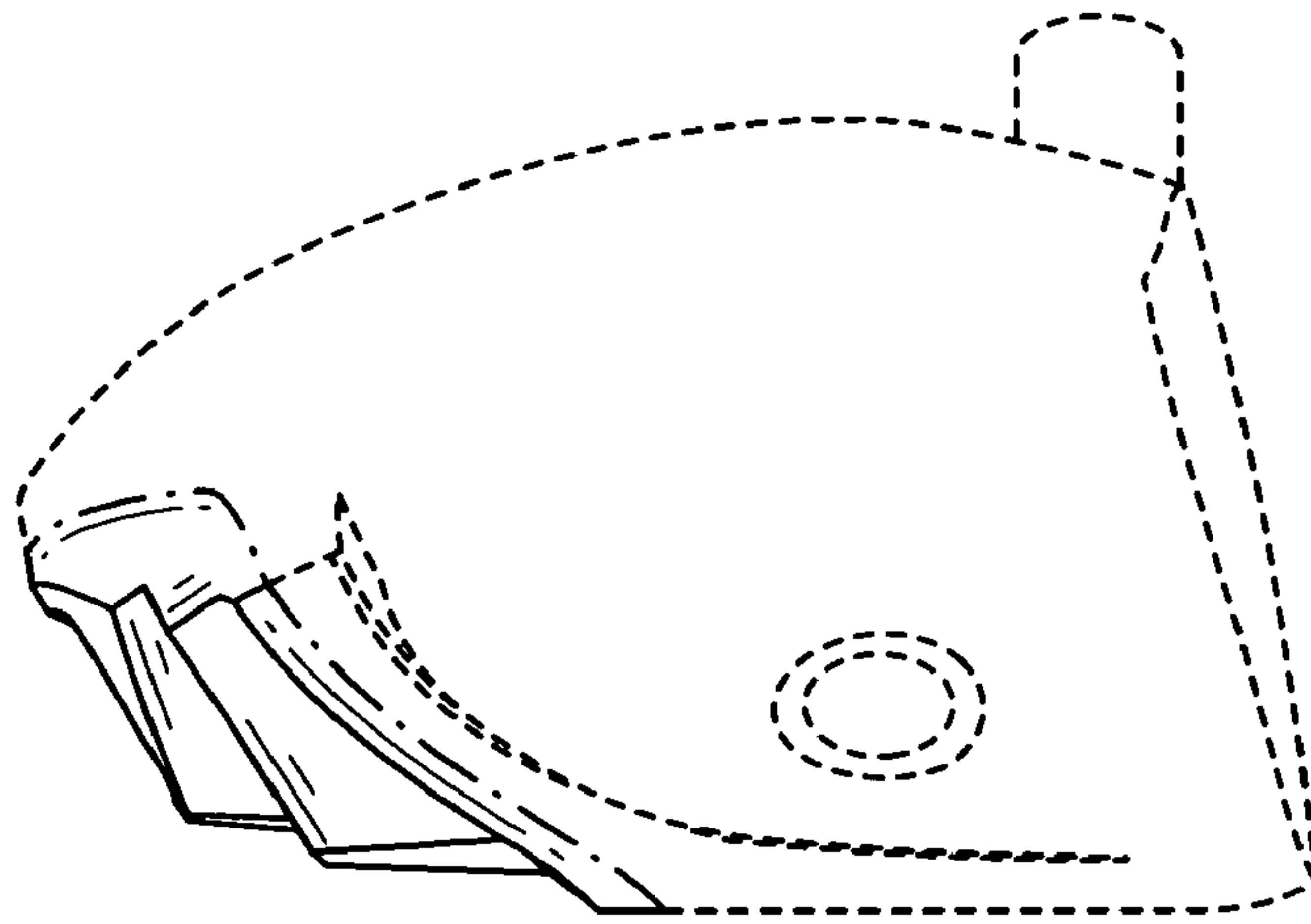


Fig.5

