



US00D589102S

(12) **United States Design Patent**
Dickie et al.

(10) **Patent No.:** **US D589,102 S**
(45) **Date of Patent:** **** *Mar. 24, 2009**

- (54) **SHAFT FOR LACROSSE STICK**
- (75) Inventors: **Robert G. Dickie**, Newmarket (CA);
Steve A. Copeland, Barrie (CA)
- (73) Assignee: **Henson Company, Inc.**, Sinking Spring,
PA (US)
- (*) Notice: This patent is subject to a terminal dis-
claimer.
- (**) Term: **14 Years**
- (21) Appl. No.: **29/289,773**
- (22) Filed: **Jul. 31, 2007**
- (51) **LOC (9) Cl.** **21-02**
- (52) **U.S. Cl.** **D21/757; D21/724**
- (58) **Field of Classification Search** D21/724,
D21/756-757; 473/505-515
See application file for complete search history.

(56) **References Cited**

U.S. PATENT DOCUMENTS

4,206,918	A	6/1980	Lewis, Jr.	
4,739,994	A *	4/1988	Lewis, Jr.	473/513
5,749,798	A *	5/1998	Kuebler et al.	473/549
6,752,730	B1 *	6/2004	Brine et al.	473/513
6,960,144	B2 *	11/2005	Tucker, Sr.	473/513
D534,227	S *	12/2006	Lee	D21/724

7,201,678	B2 *	4/2007	Filice et al.	473/513
D544,932	S *	6/2007	Scott	D21/724
D558,289	S *	12/2007	Main	D21/757
2005/0130773	A1	6/2005	Hayden et al.	

* cited by examiner

Primary Examiner—Mitchell I Siegel

(74) *Attorney, Agent, or Firm*—Sand & Sebolt

(57) **CLAIM**

The ornamental design for the shaft for lacrosse stick, as shown and described.

DESCRIPTION

FIG. 1 is a perspective view of a lacrosse stick shaft in accordance with the present invention shown attached to a head and handle that are illustrated in phantom as they do not form part of the design;

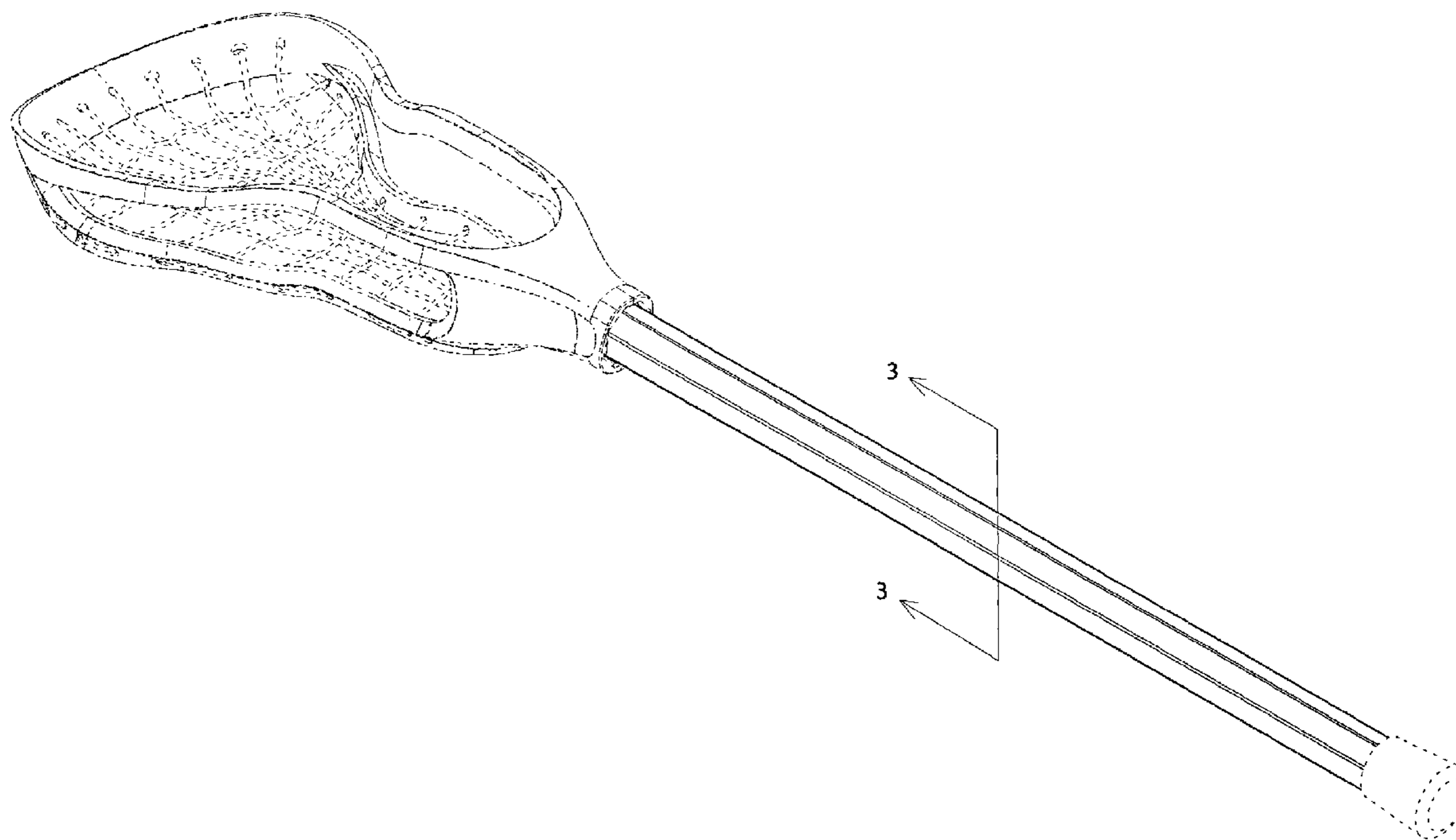
FIG. 2 is a perspective view of a portion of the lacrosse stick shaft of FIG. 1;

FIG. 3 is a cross-sectional view of the shaft taken thru line 3—3 of FIG. 1;

FIG. 4 is a top view of the shaft taken thru line 4—4 of FIG. 3; and,

FIG. 5 is a side view of the shaft taken thru line 5—5 of FIG. 3.

1 Claim, 5 Drawing Sheets



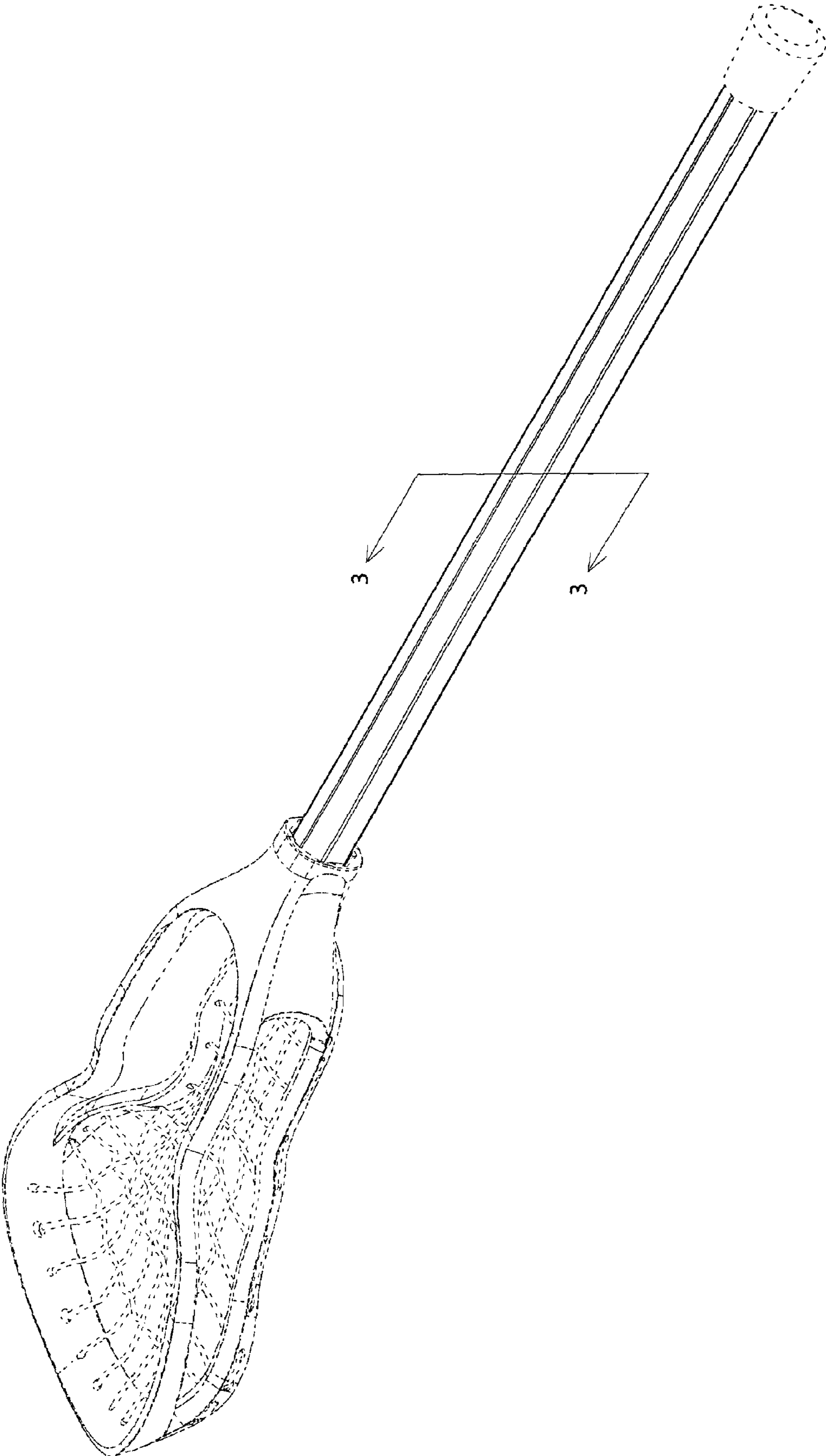


FIG. 1

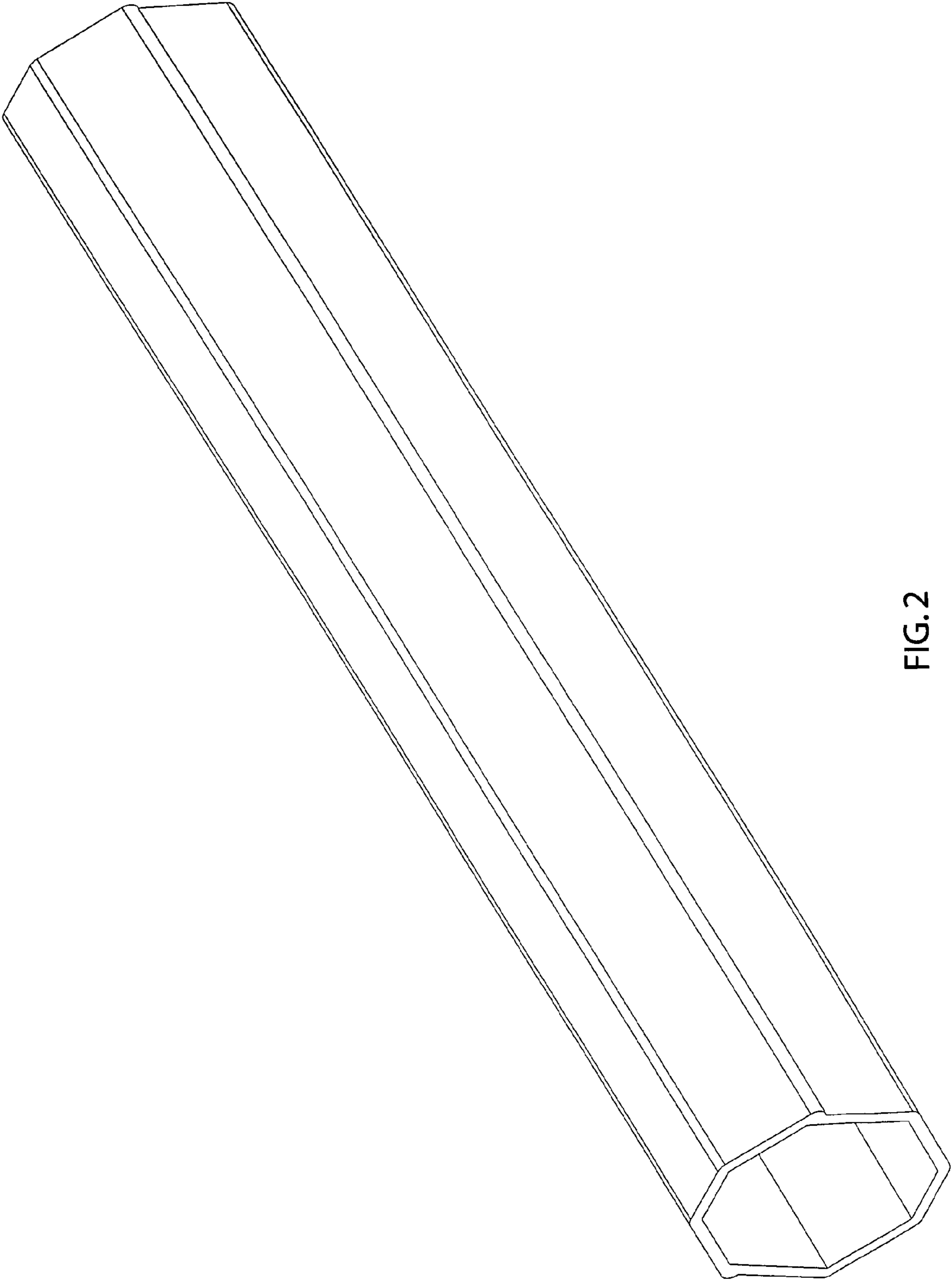


FIG. 2

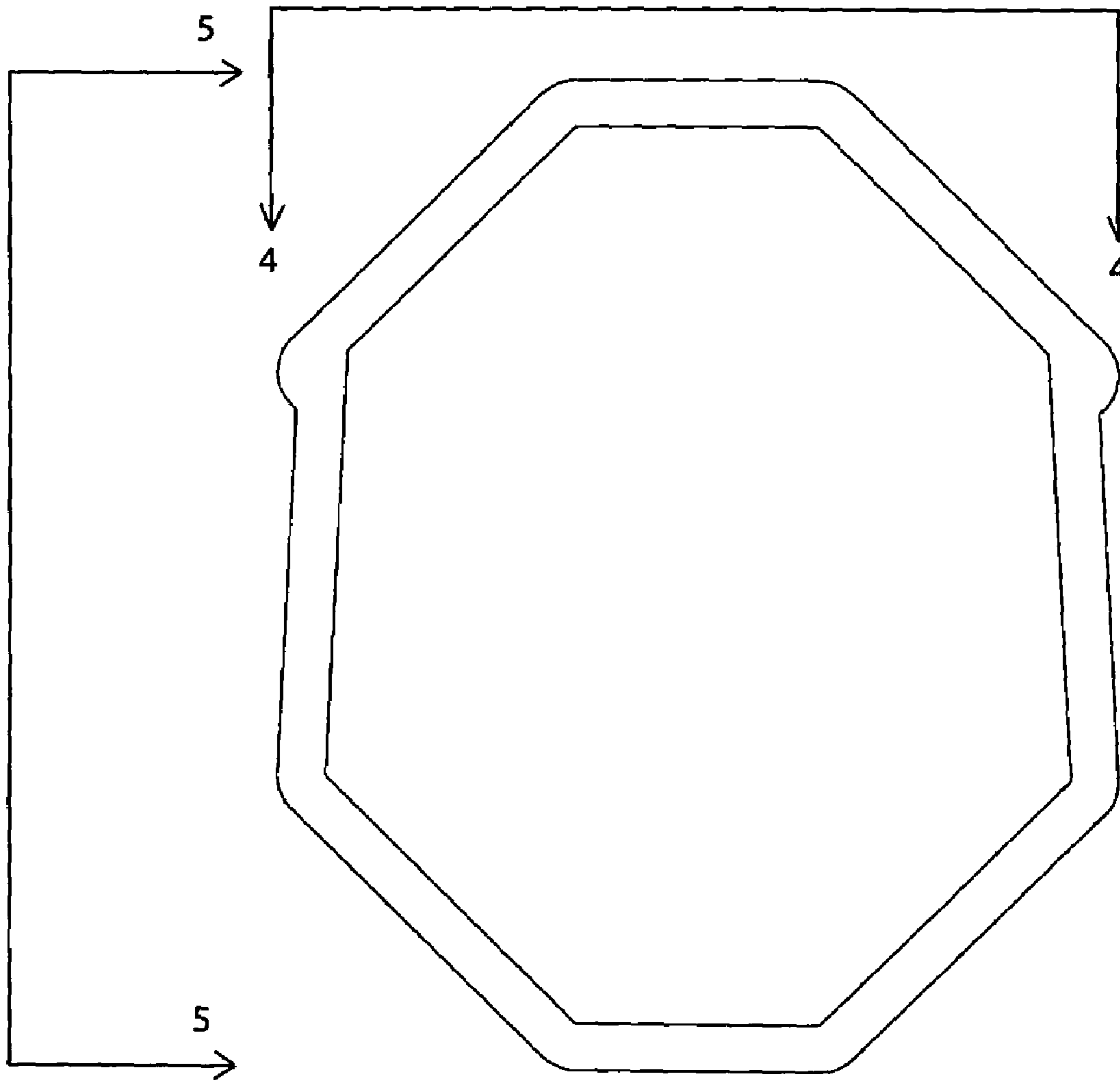


FIG 3

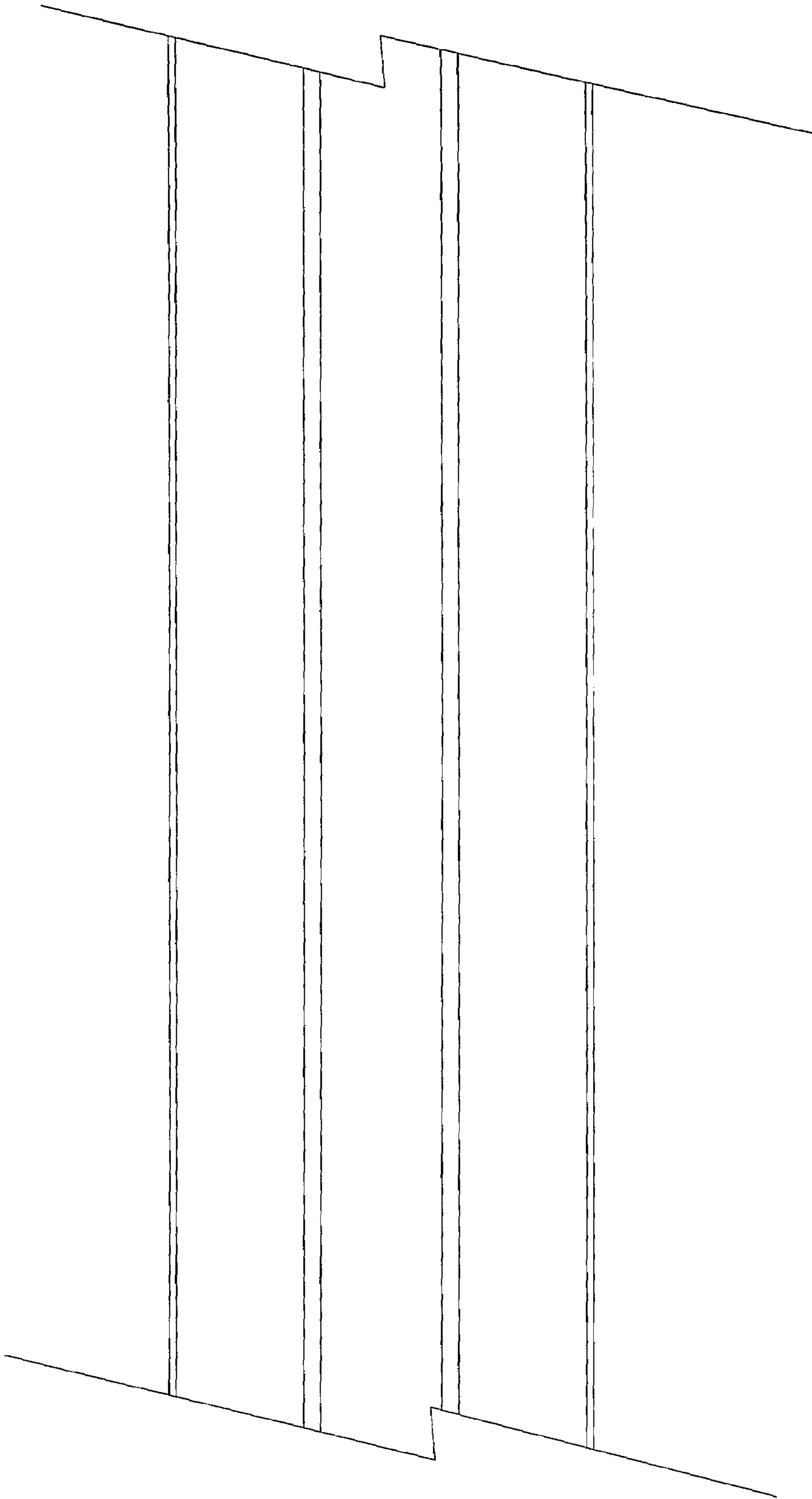


FIG. 4

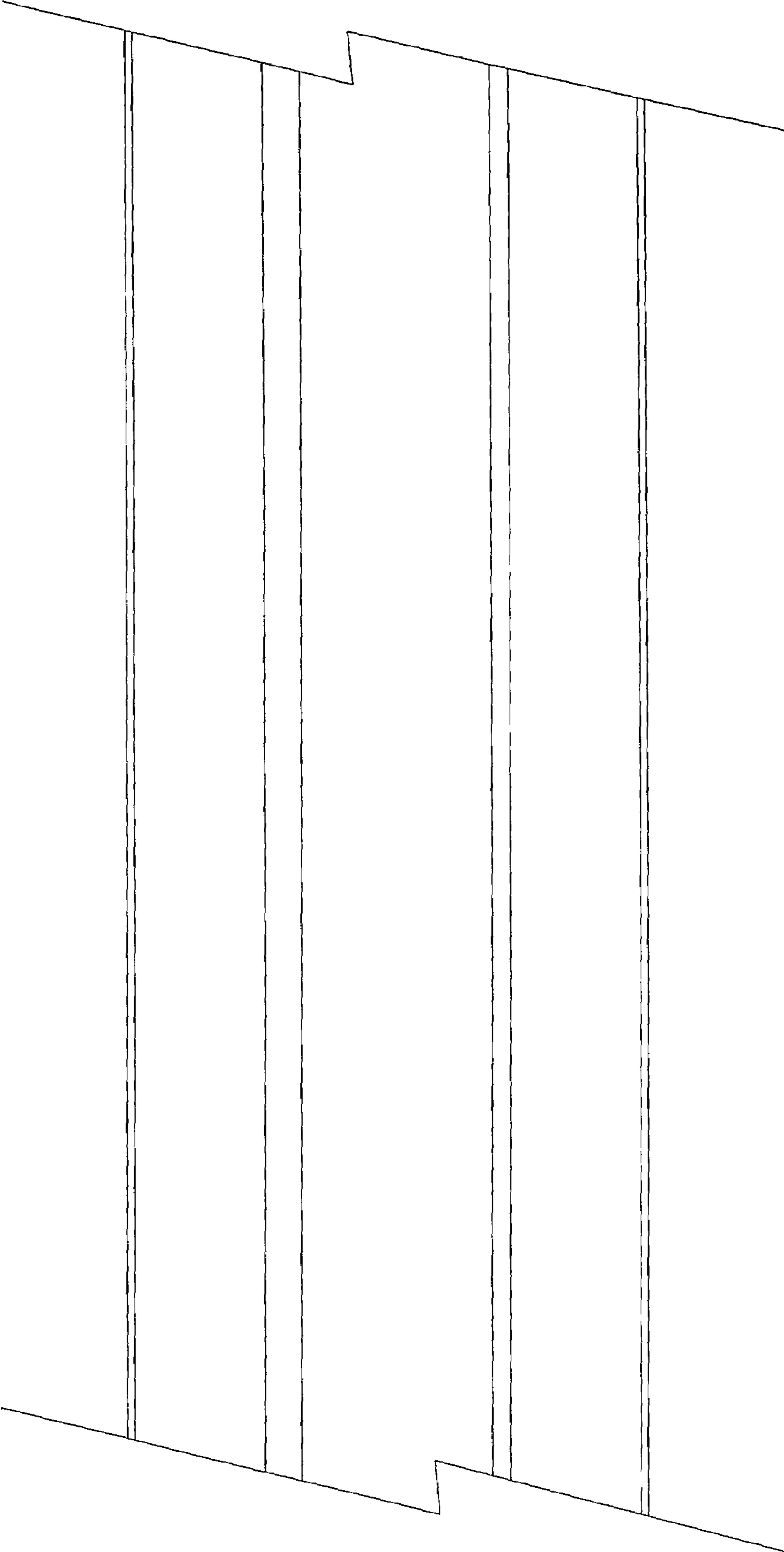


FIG. 5