



US00D589098S

(12) **United States Design Patent**
Horita

(10) **Patent No.:** **US D589,098 S**
(45) **Date of Patent:** **** Mar. 24, 2009**

(54) **CONTROL PANEL FOR AN EXERCISE DEVICE**

(75) Inventor: **Sean K. Horita**, Seattle, WA (US)

(73) Assignee: **Precor Incorporated**, Woodinville, WA (US)

(**) Term: **14 Years**

(21) Appl. No.: **29/293,236**

(22) Filed: **Nov. 9, 2007**

(51) **LOC (9) Cl.** **21-02**

(52) **U.S. Cl.** **D21/696**

(58) **Field of Classification Search** D21/663,
D21/666, 668, 669, 670, 694, 696; 482/51,
482/52, 57, 70

See application file for complete search history.

(56) **References Cited**

U.S. PATENT DOCUMENTS

D280,002 S	8/1985	Smith	D21/669
D283,239 S	4/1986	Smith et al.	D21/669
D303,414 S	9/1989	Armstrong et al.	D21/669
D313,826 S	1/1991	Birrell et al.	D21/669
D394,282 S	5/1998	Birrell		
D407,771 S *	4/1999	Garza	D21/694
D412,192 S	7/1999	Birrell et al.	D21/696
D421,077 S	2/2000	Birrell et al.		
D424,137 S	5/2000	Barker et al.	D21/669
D427,156 S	6/2000	Arnold et al.	D13/162
D429,509 S *	8/2000	Garza	D21/696
D438,579 S *	3/2001	Arnold et al.	D21/696
D440,612 S *	4/2001	Arnold et al.	D21/696
D444,828 S *	7/2001	Matsumoto	D21/696
D447,780 S	9/2001	Arnold et al.	D21/669
D459,421 S *	6/2002	Lee	D21/696
D464,688 S	10/2002	May et al.	D21/668
D465,000 S	10/2002	Arnold et al.	D21/668
D493,201 S *	7/2004	Giannelli et al.	D21/668
6,761,669 B1 *	7/2004	Pan et al.	482/54
D494,645 S	8/2004	Otomi et al.	D21/662
D526,031 S	8/2006	Corbalis et al.	D21/663
7,085,995 B2 *	8/2006	Fukuda et al.	715/203
D531,683 S	11/2006	Choi et al.	D21/696
D547,401 S	7/2007	Olason	D21/696
D555,601 S	11/2007	Olason	D13/162
D557,359 S	12/2007	Olason et al.	D21/696

D557,360 S	12/2007	Olason et al.	D21/696
D559,801 S	1/2008	Olason	D21/694
D559,925 S *	1/2008	Horita	D21/670
D567,315 S	4/2008	Horita	D21/696

* cited by examiner

Primary Examiner—Philip S Hyder

(74) *Attorney, Agent, or Firm*—Terence P. O'Brien

(57) **CLAIM**

We claim the ornamental design for a control panel for an exercise device, as shown and described.

DESCRIPTION

FIG. 1 is a front, side perspective view of a control panel for an exercise device;

FIG. 2 is a rear, side perspective view of the control panel of FIG. 1;

FIG. 3 is a top view of the control panel of FIG. 1;

FIG. 4 is a first side view of the control panel of FIG. 1;

FIG. 5 is a second opposite side view of the control panel of FIG. 1;

FIG. 6 is a front view of the control panel of FIG. 1; and

FIG. 7 is a rear view of the control panel of FIG. 1.

FIG. 8 is an enlarged perspective view of the control panel of FIG. 1;

FIG. 9 is an enlarged elevation view of the first side of control panel of FIG. 1;

FIG. 10 is an enlarged elevation view of the second side of the control panel of FIG. 1;

FIG. 11 is an enlarged front view of the control panel of FIG. 1; and,

FIG. 12 is an enlarged rear view of the control panel of FIG. 1.

The ornamental design that is claimed is shown in solid lines in the drawings. The broken (dashed) lines shown in the drawings are included for the purpose of illustrating environmental elements only and form no part of the claimed design.

1 Claim, 7 Drawing Sheets

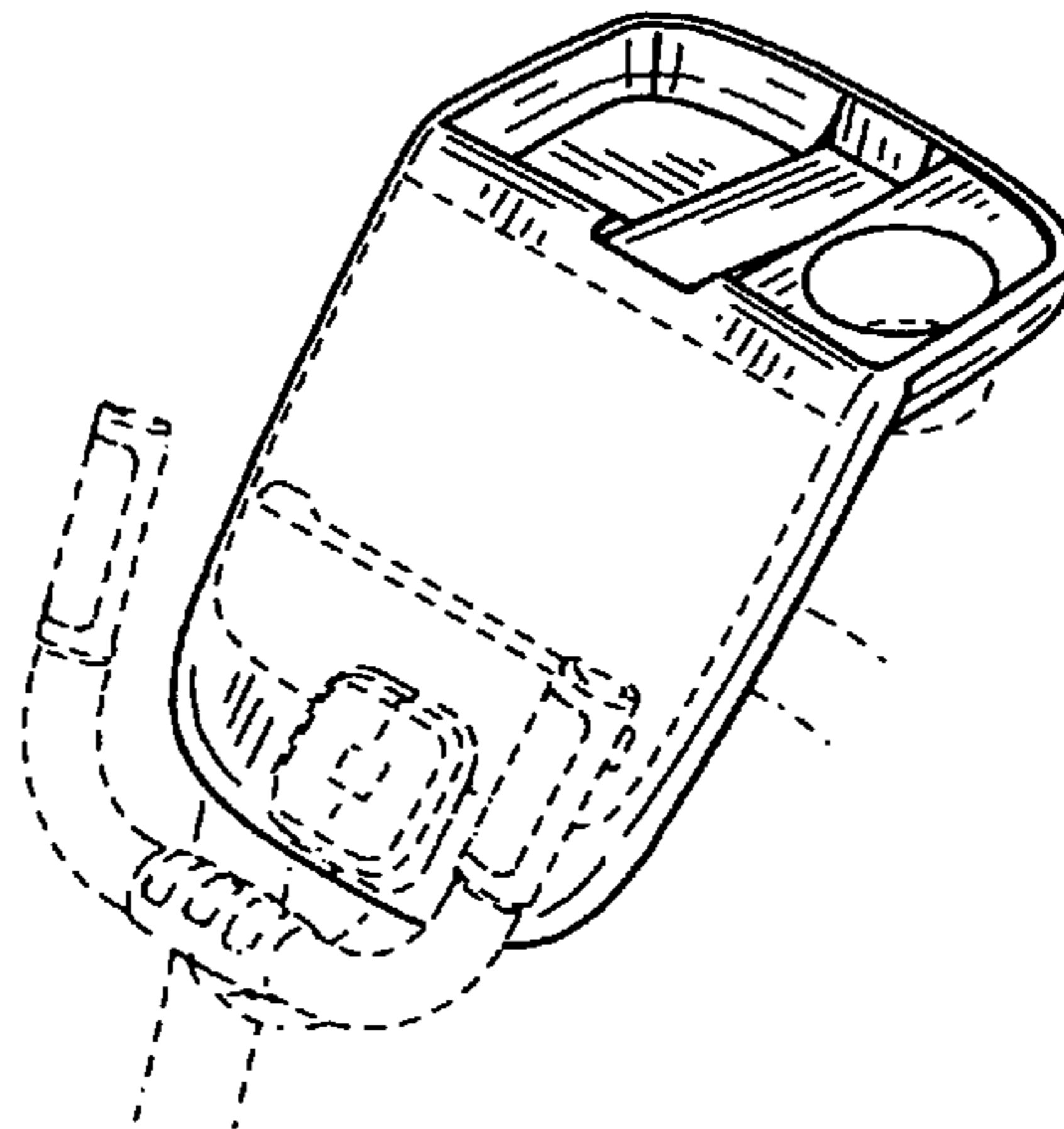


FIG. 1

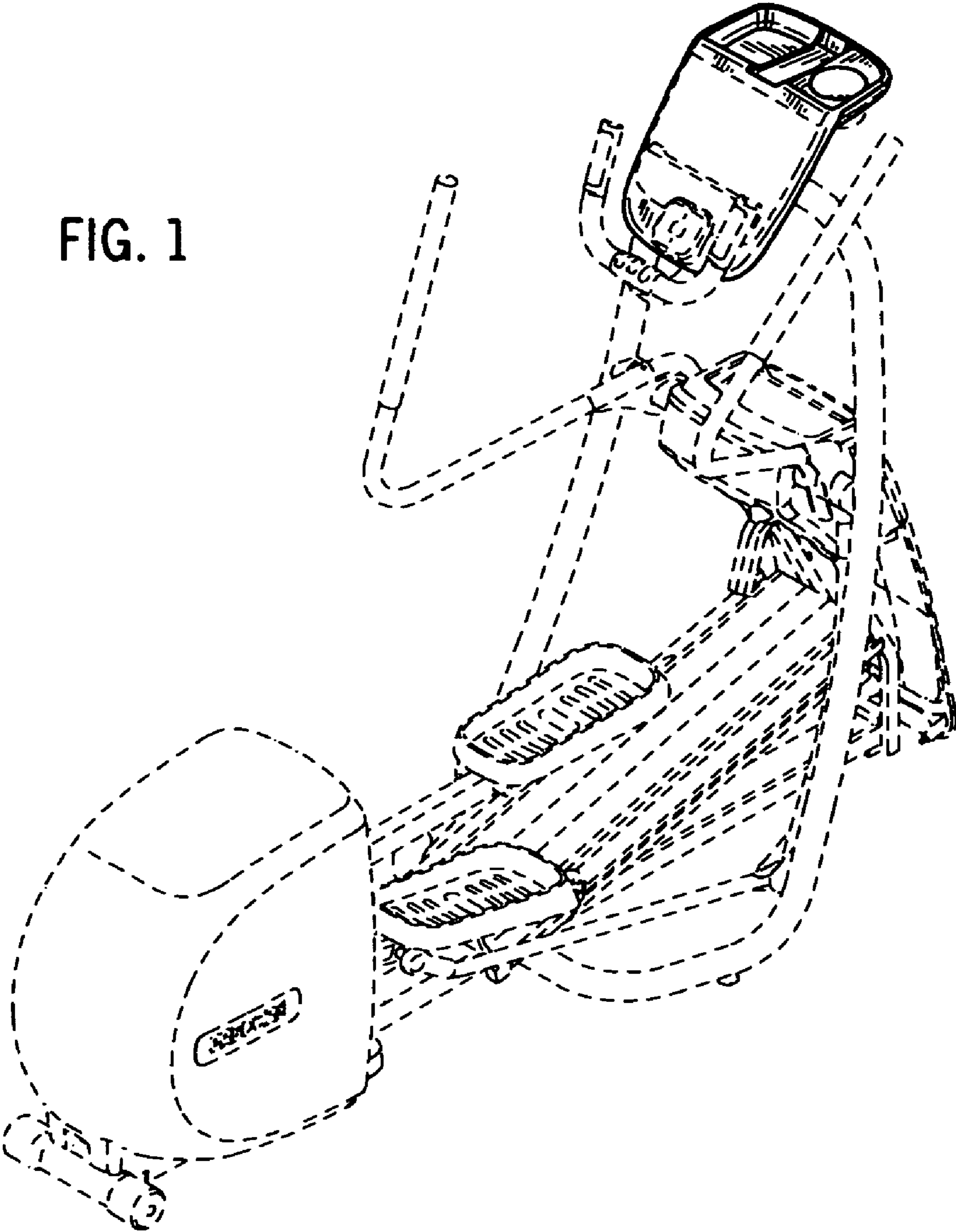


FIG. 2

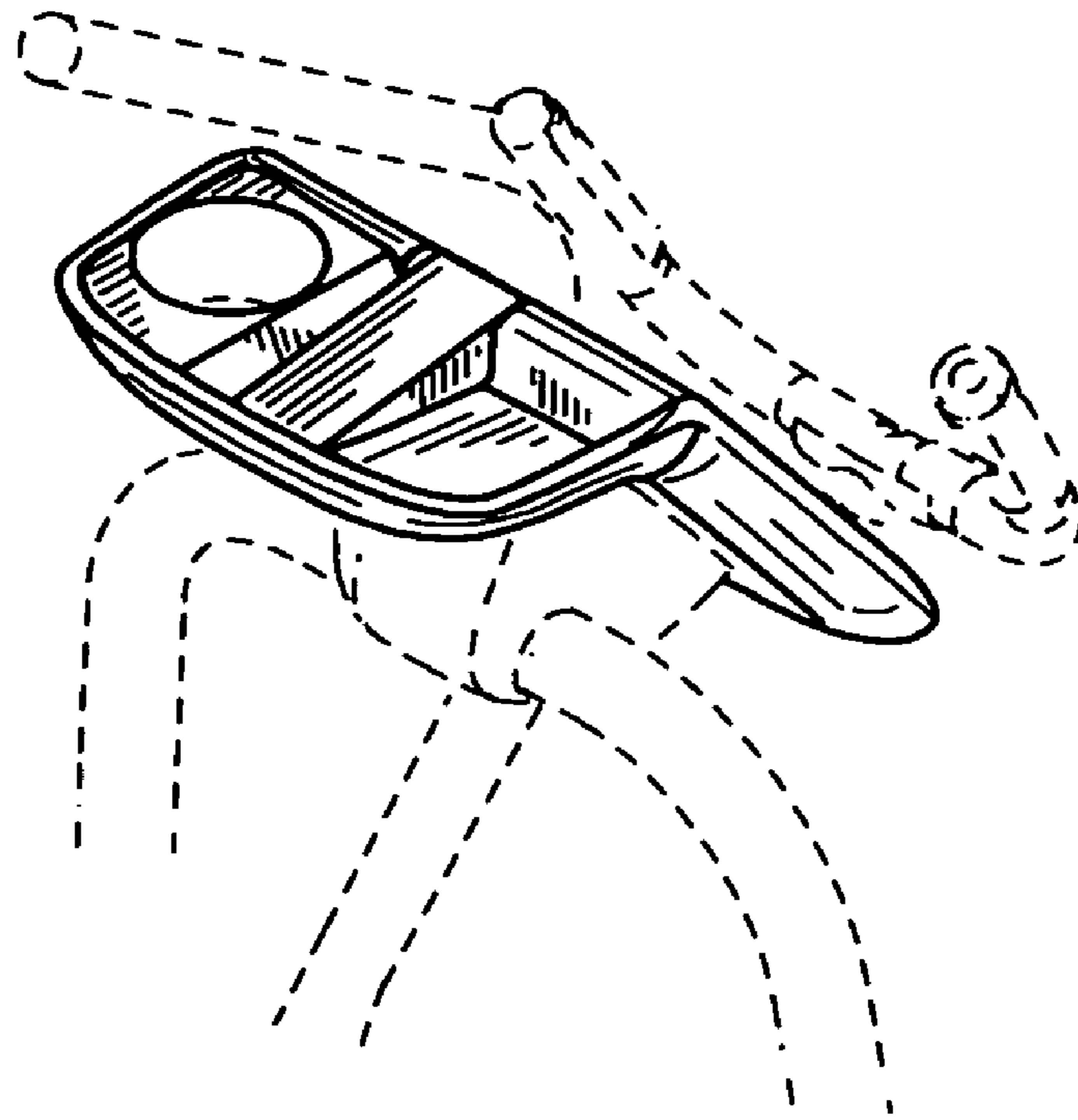


FIG. 3

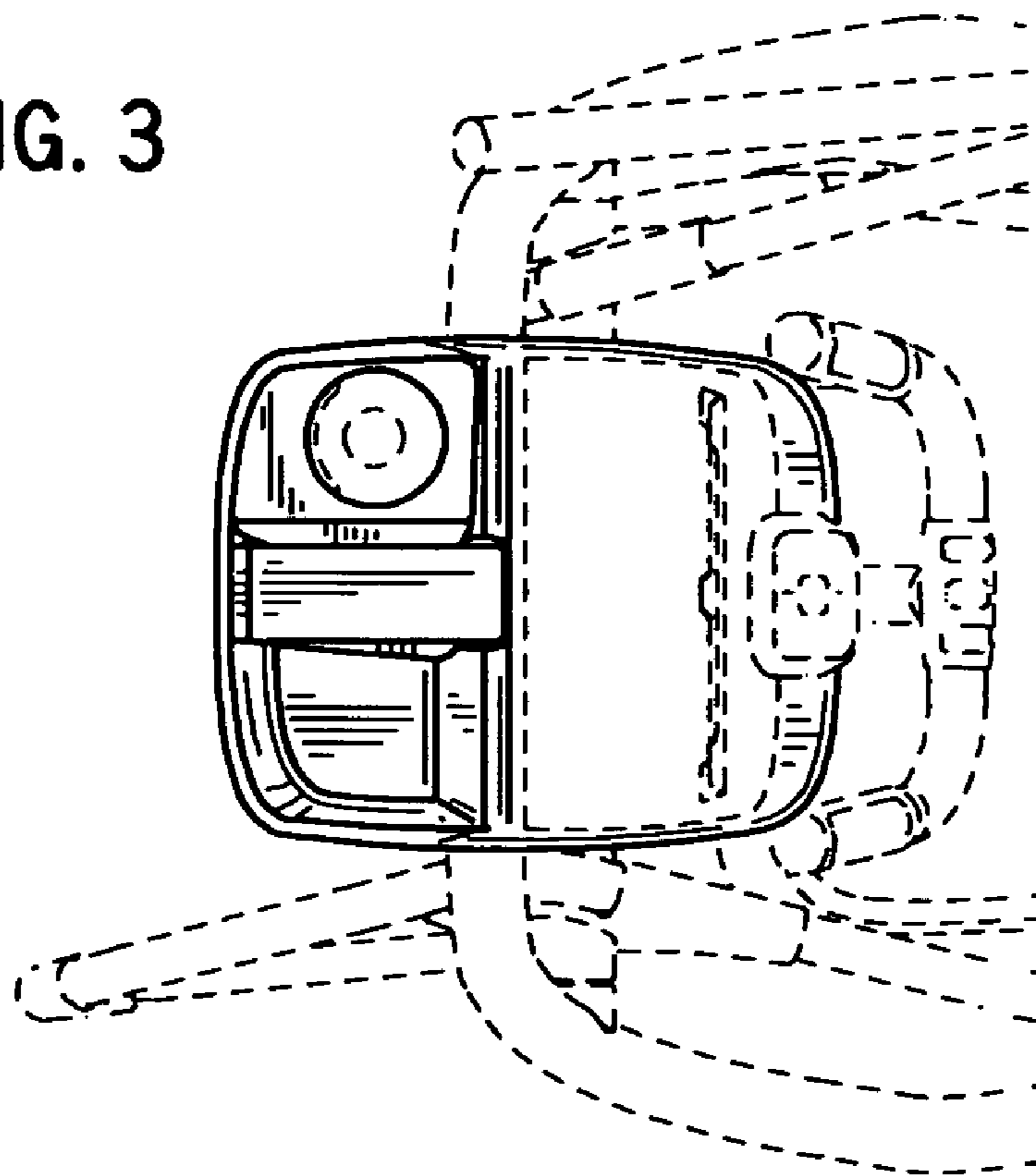
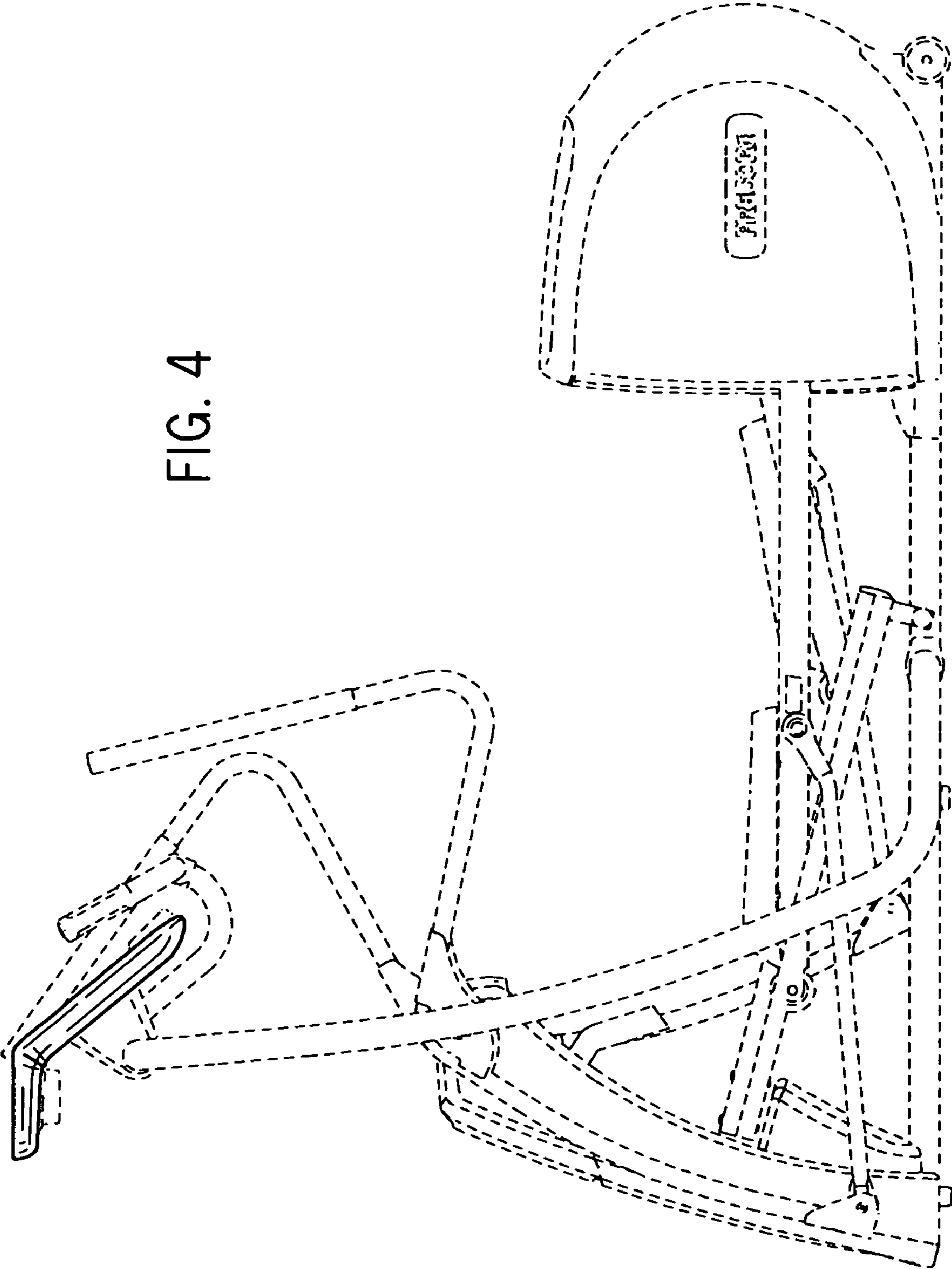


FIG. 4



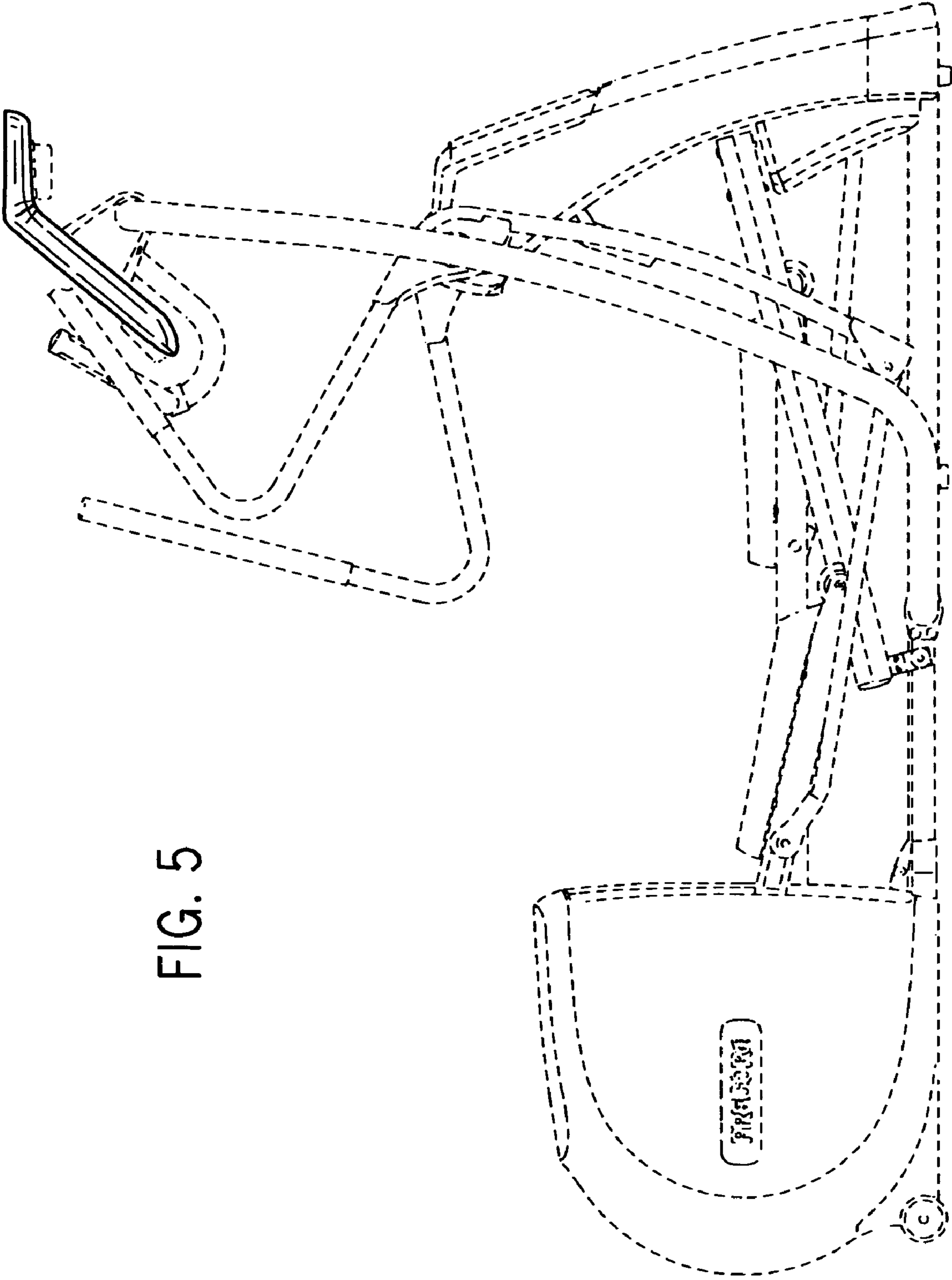


FIG. 5

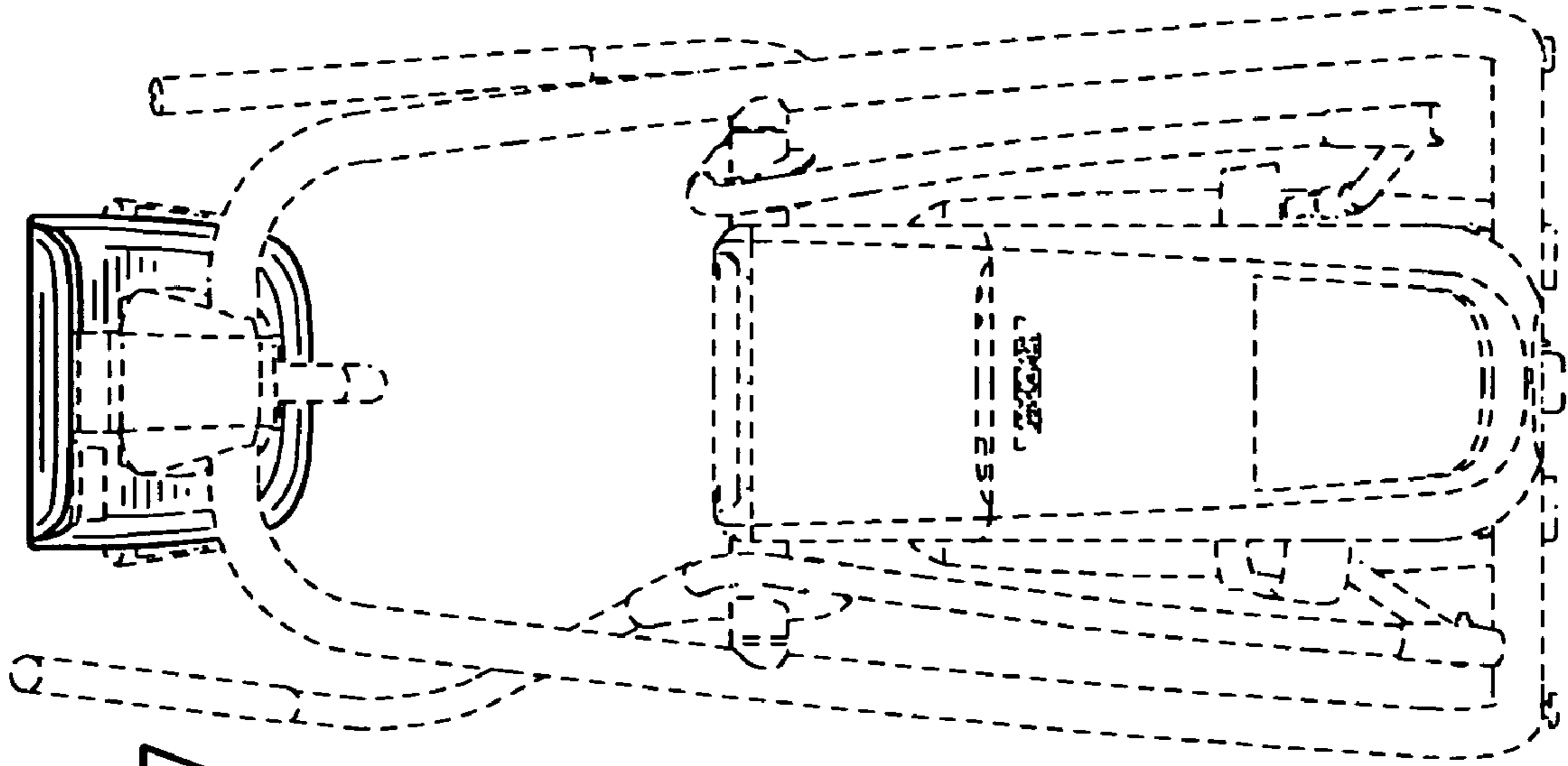


FIG. 7

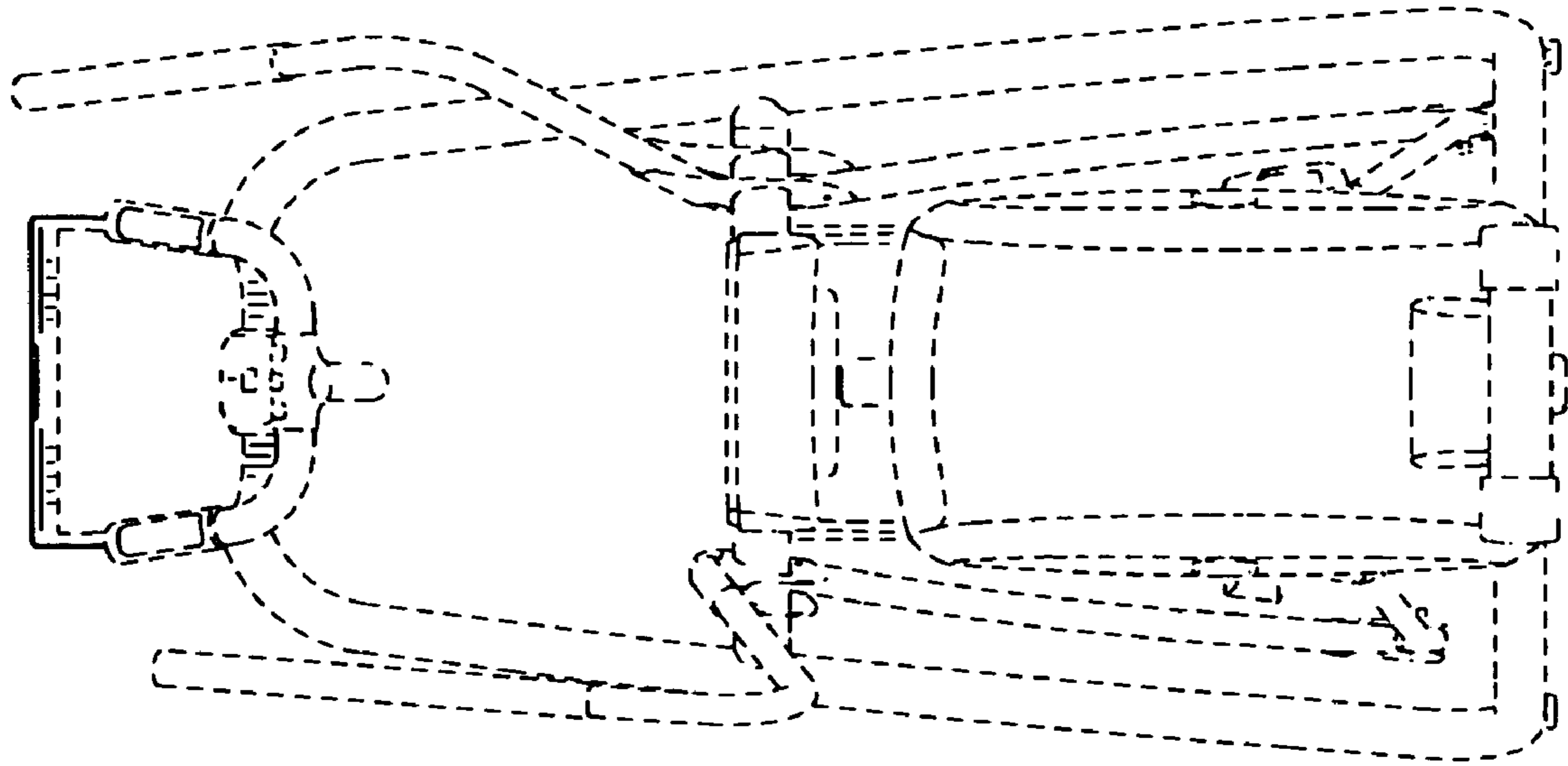


FIG. 6

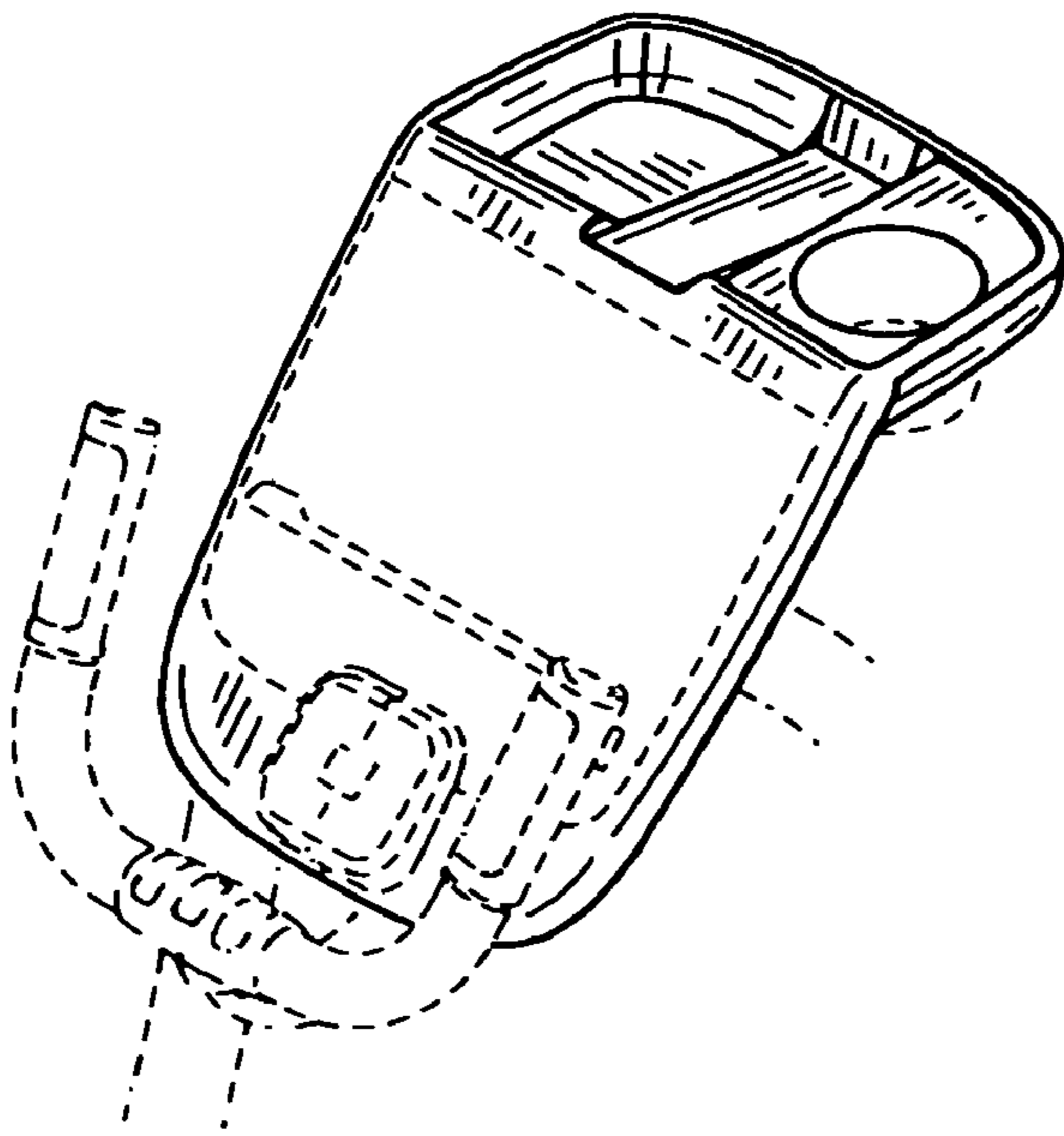


FIG. 8

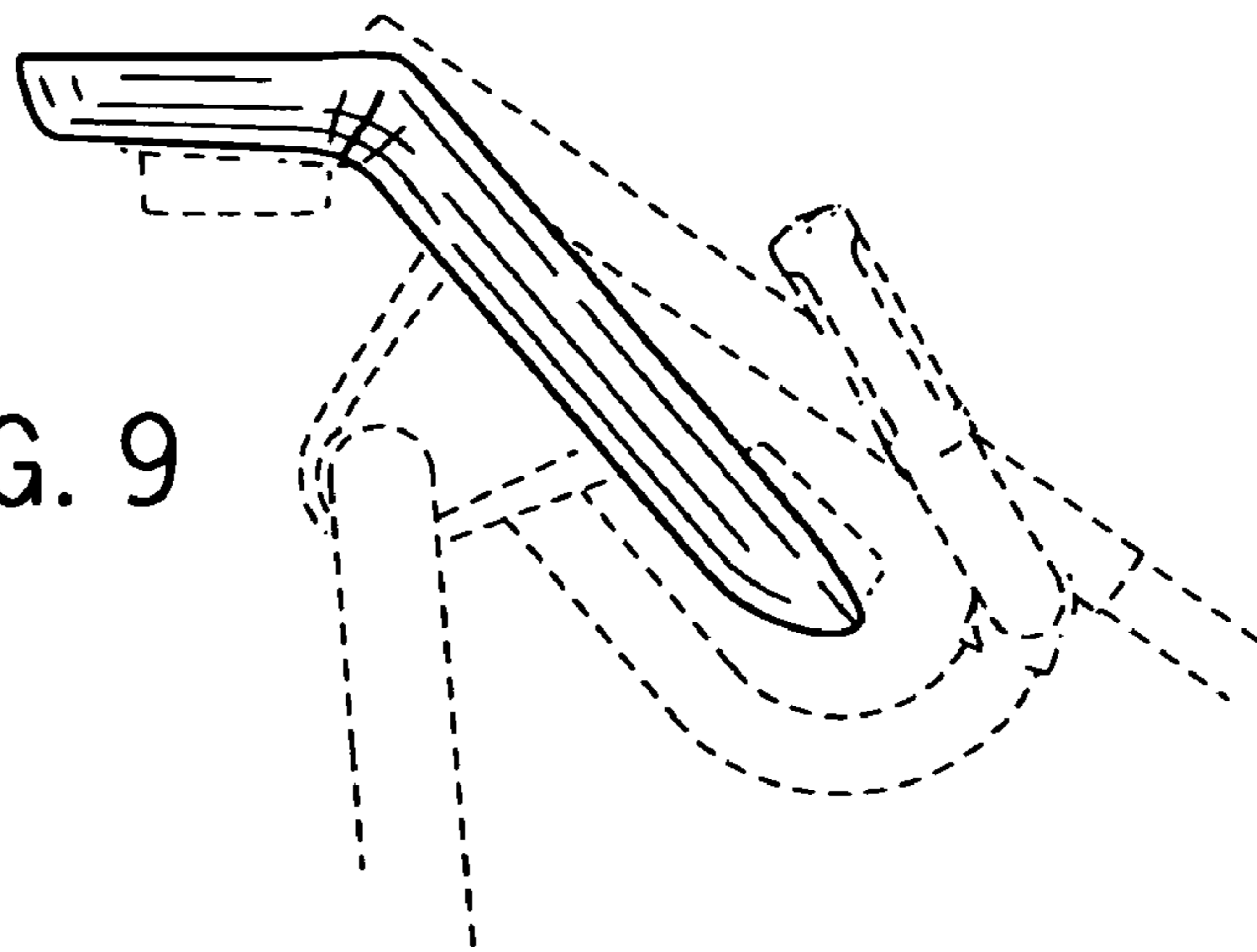


FIG. 9

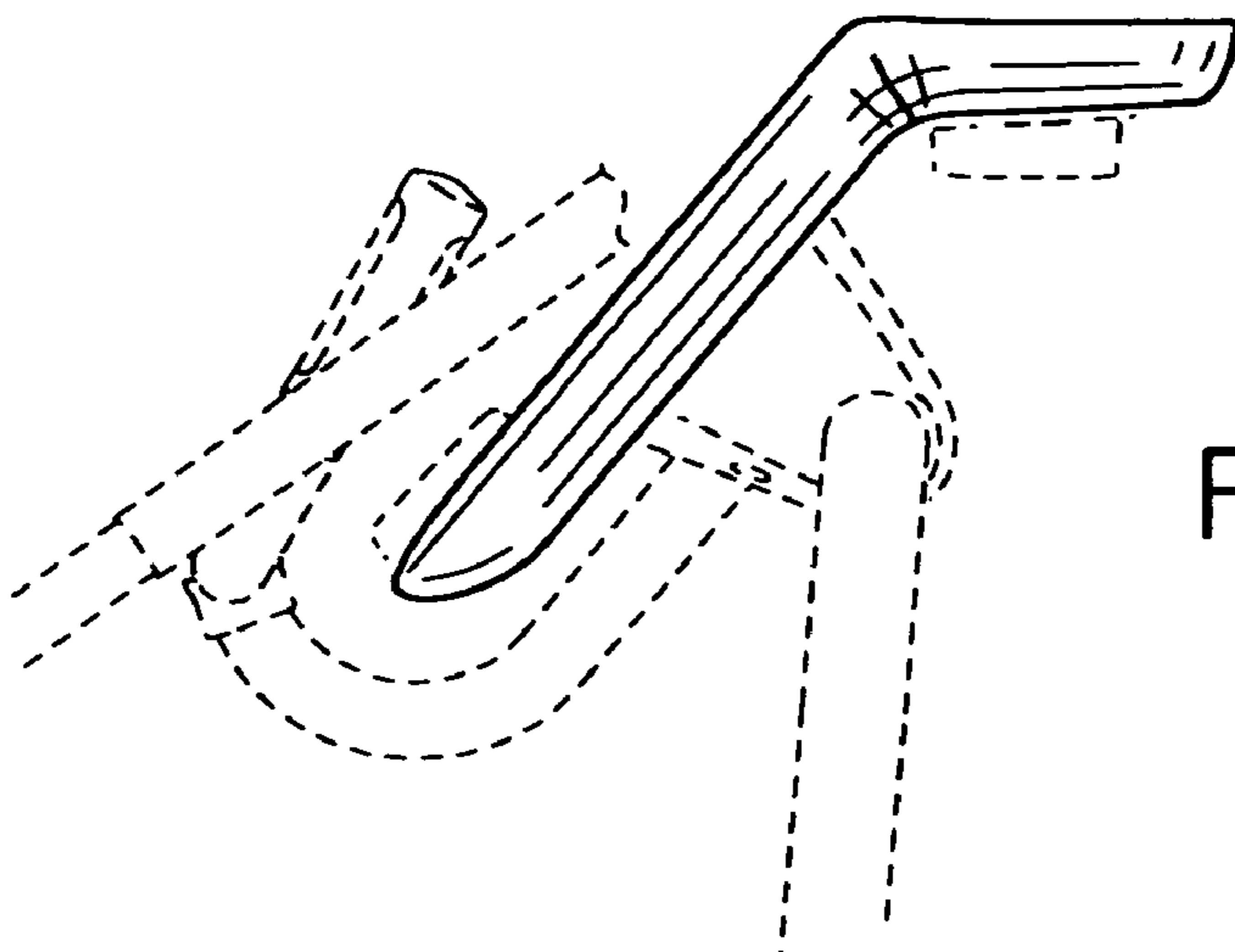


FIG. 10

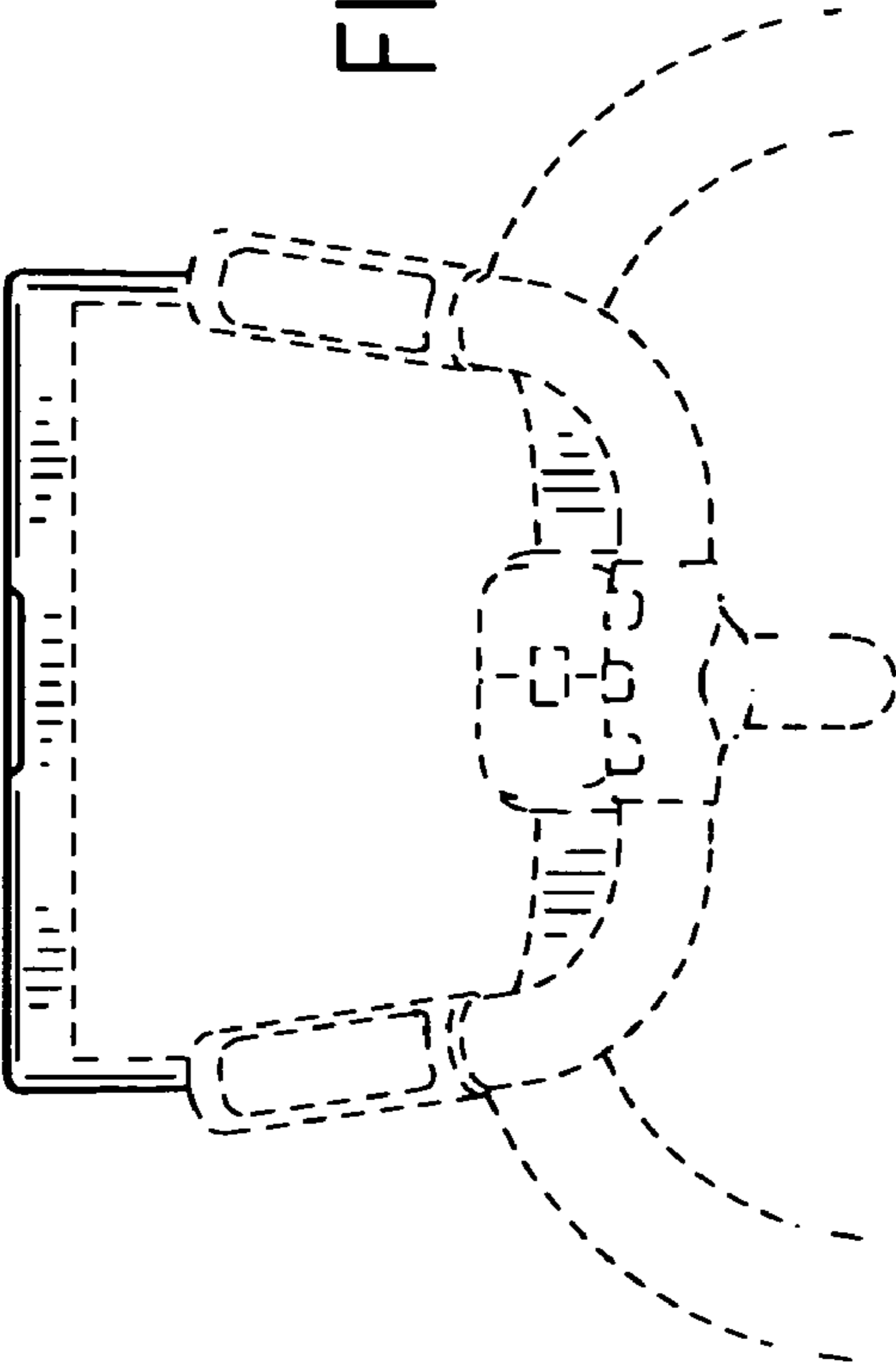


FIG. 11

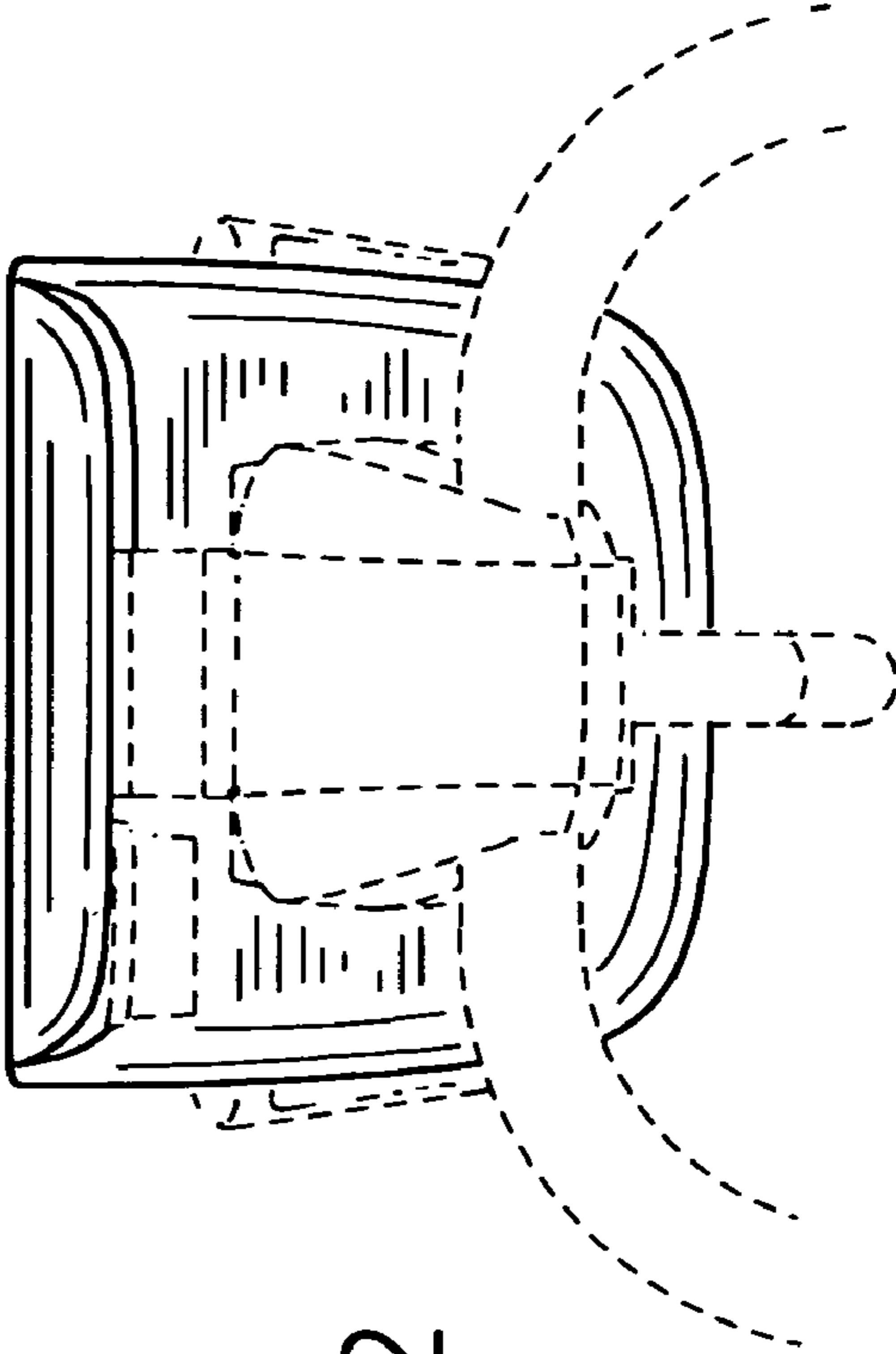


FIG. 12