



US00D589092S

(12) **United States Design Patent**
Glover

(10) **Patent No.:** **US D589,092 S**
(45) **Date of Patent:** **** Mar. 24, 2009**

(54) **COMBINED ILLUMINATED POST AND SIGN**

(76) Inventor: **Antonio S. Glover**, 2676 Kendall Ave.,
Kissimmee, FL (US) 34744

(**) Term: **14 Years**

(21) Appl. No.: **29/305,390**

(22) Filed: **Mar. 19, 2008**

(51) **LOC (9) Cl.** **20-02**

(52) **U.S. Cl.** **D20/19; D20/17; D20/41;**
D26/51

(58) **Field of Classification Search** **D20/10,**
D20/17, 19, 29-32, 41, 99; 40/369, 541,
40/542, 545, 546, 549, 553, 557, 584, 606.01,
40/606.03, 607.01, 607.03, 607.05, 607.09,
40/612, 617; D6/613; D10/104, 109, 111;
D26/51, 67, 68, 86; D99/31; 359/838; 362/183,
362/221, 253, 551, 559, 565, 806, 812; 398/106;
428/40.1

See application file for complete search history.

(56) **References Cited**

U.S. PATENT DOCUMENTS

D217,283	S *	4/1970	Horton	D26/51
D248,505	S *	7/1978	Koziol	D26/51
D250,913	S *	1/1979	Koziol	D26/51
4,989,124	A *	1/1991	Shappell	362/183
D366,713	S *	1/1996	Cornell et al.	D26/68
D376,892	S *	12/1996	Tsao	D99/31
5,723,190	A *	3/1998	Osaka	428/40.1
D409,321	S *	5/1999	Nelson	D26/51
D416,347	S *	11/1999	Klaus	D26/86
6,142,640	A *	11/2000	Schofield	359/838
D448,232	S *	9/2001	Wilkinson	D6/613
D529,217	S *	9/2006	Wood	D26/67
7,356,260	B2 *	4/2008	Seifert	398/106

* cited by examiner

Primary Examiner—Janice E Seeger

Assistant Examiner—Mary Ann Calabrese

(74) *Attorney, Agent, or Firm*—Allen Dyer Doppelt Milbrath
& Gilchrist

(57) **CLAIM**

The design for a combined illuminated post and sign, as
shown and described.

DESCRIPTION

FIG. 1 is a perspective view from the front and left of an
illuminated sign post, according to a first embodiment of the
present invention;

FIG. 2 is a front view of the sign post of FIG. 1;

FIG. 3 is a rear view of the sign post of FIG. 1;

FIG. 4 is a side view of the sign post of FIG. 1;

FIG. 5 is an opposite side view of the sign post of FIG. 1;

FIG. 6 is a top view of the sign post of FIG. 1;

FIG. 7 is a bottom view of the sign post of FIG. 1;

FIG. 8 is a perspective view from the front and left of an
illuminated sign post, according to a second embodiment of
the present invention;

FIG. 9 is a front view of the sign post of FIG. 8;

FIG. 10 is a rear view of the sign post of FIG. 8;

FIG. 11 is a side view of the sign post of FIG. 8;

FIG. 12 is an opposite side view of the sign post of FIG. 8;

FIG. 13 is a top view of the sign post of FIG. 8;

FIG. 14 is a bottom view of the sign post of FIG. 8;

FIG. 15 is a perspective view from the front and left of an
illuminated sign post, according to a third embodiment of the
present invention;

FIG. 16 is a front view of the sign post of FIG. 15;

FIG. 17 is a rear view of the sign post of FIG. 15;

FIG. 18 is a side view of the sign post of FIG. 15;

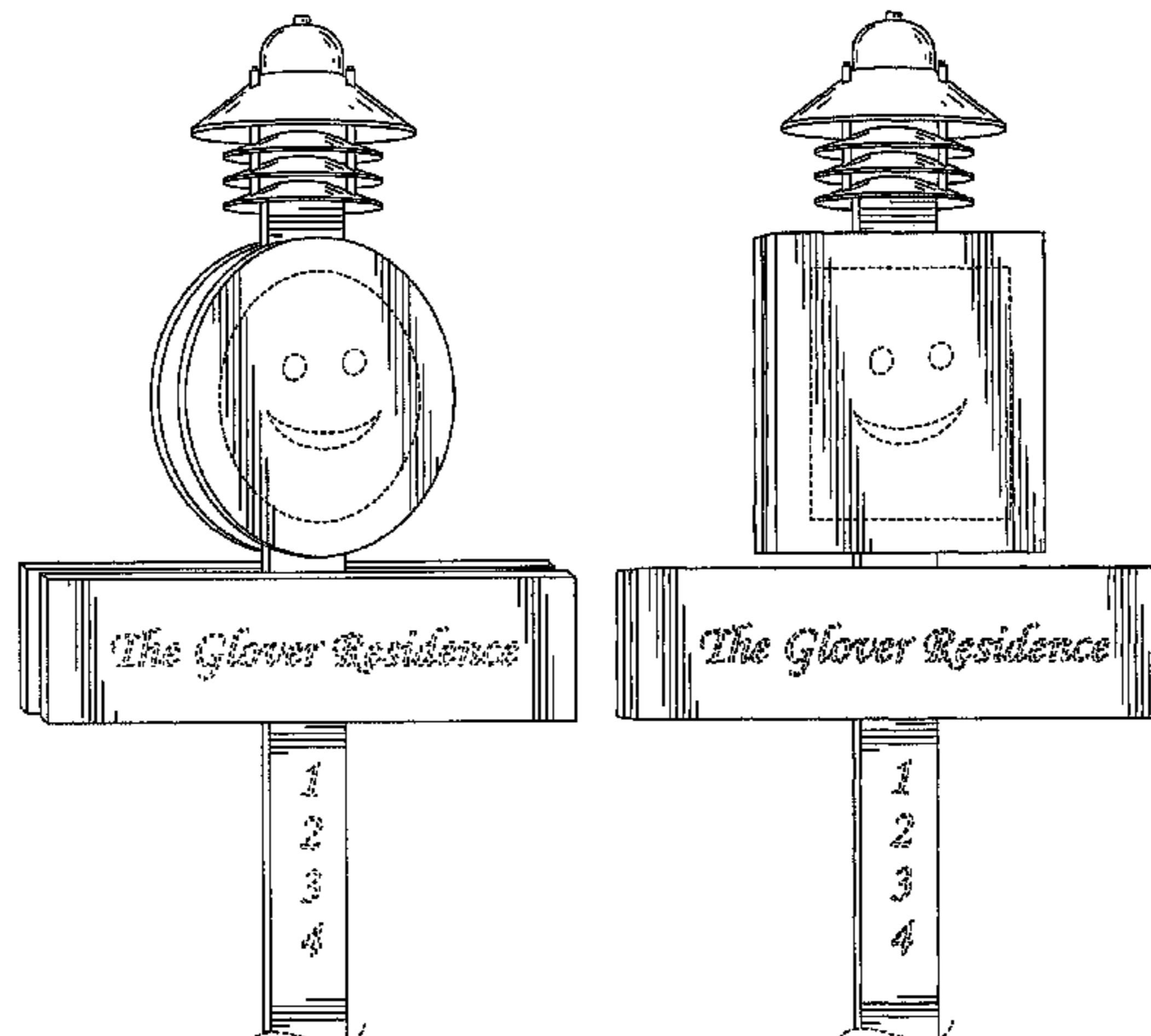
FIG. 19 is an opposite side view of the sign post of FIG. 15;

FIG. 20 is a top view of the sign post of FIG. 15; and,

FIG. 21 is a bottom view of the sign post of FIG. 15.

The broken lines in the drawings illustrate environmental
details which form no part of the claimed design.

1 Claim, 15 Drawing Sheets



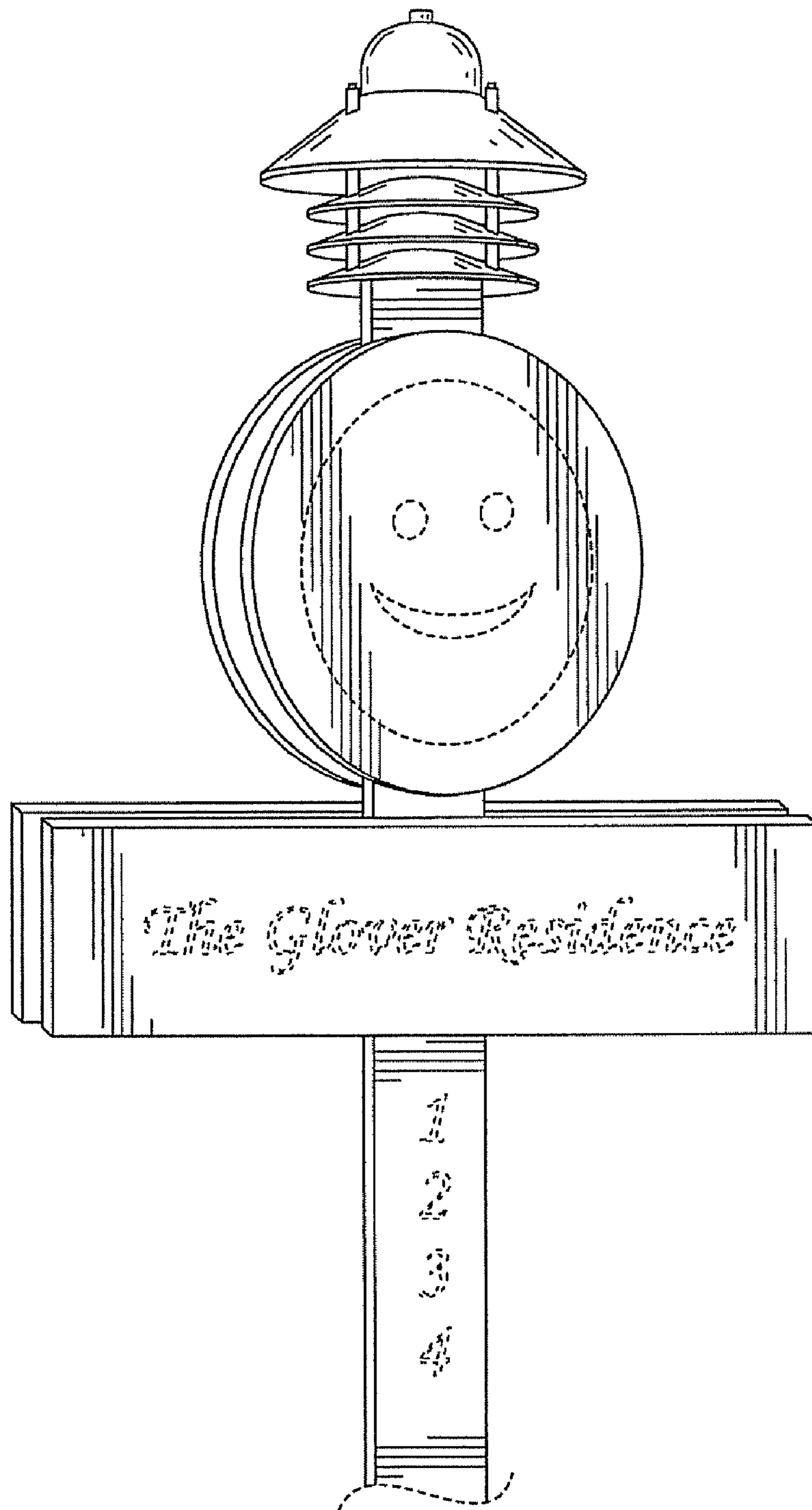


FIG. 1

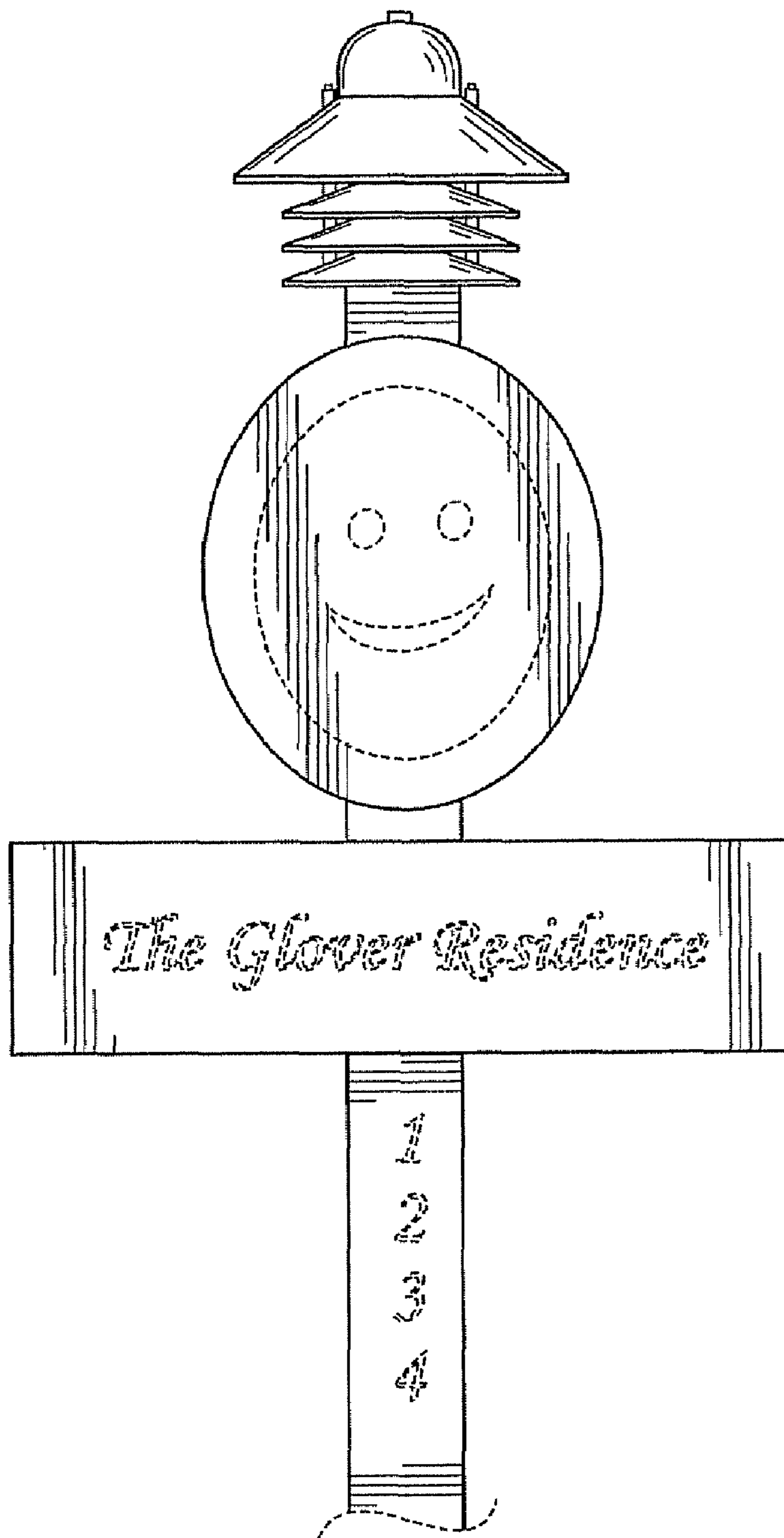


FIG. 2



FIG. 3

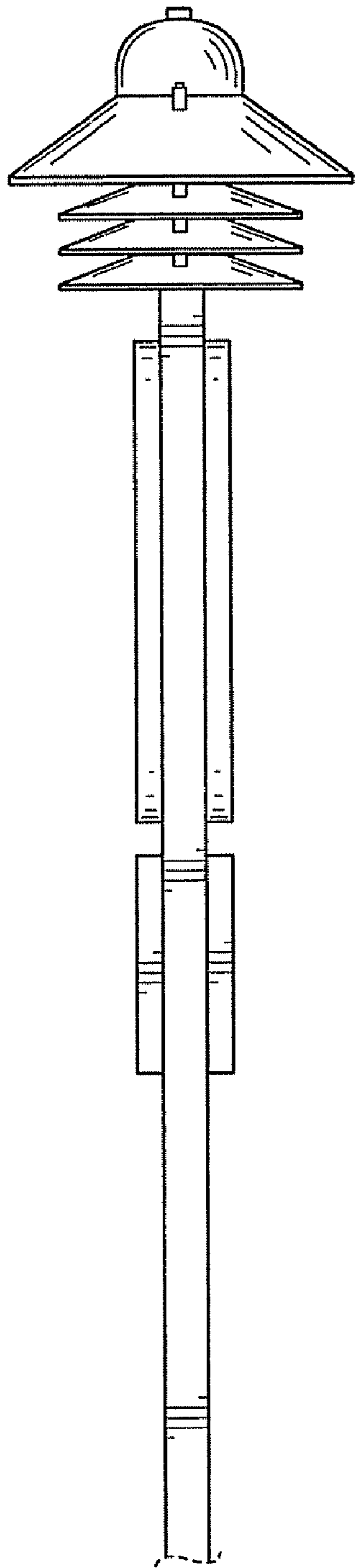


FIG. 4

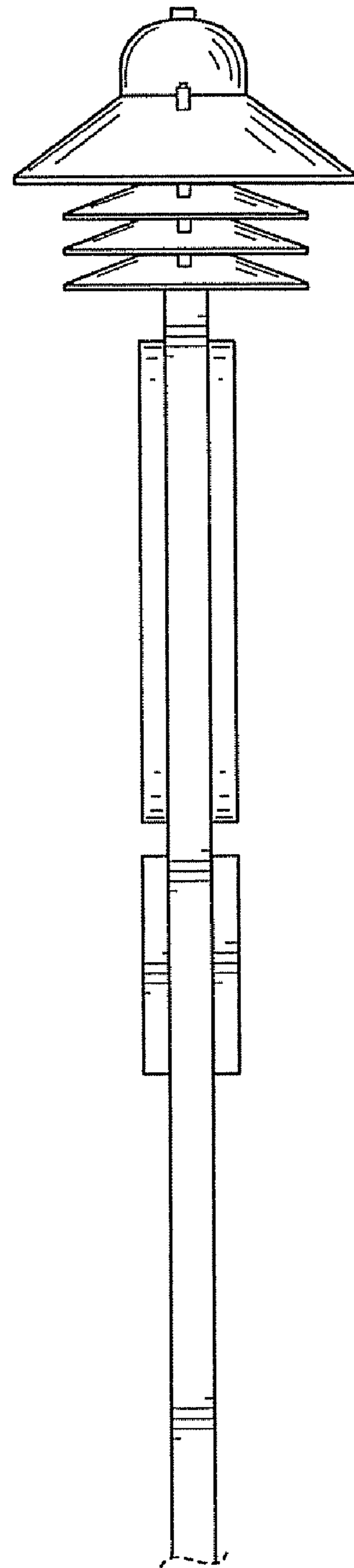


FIG. 5

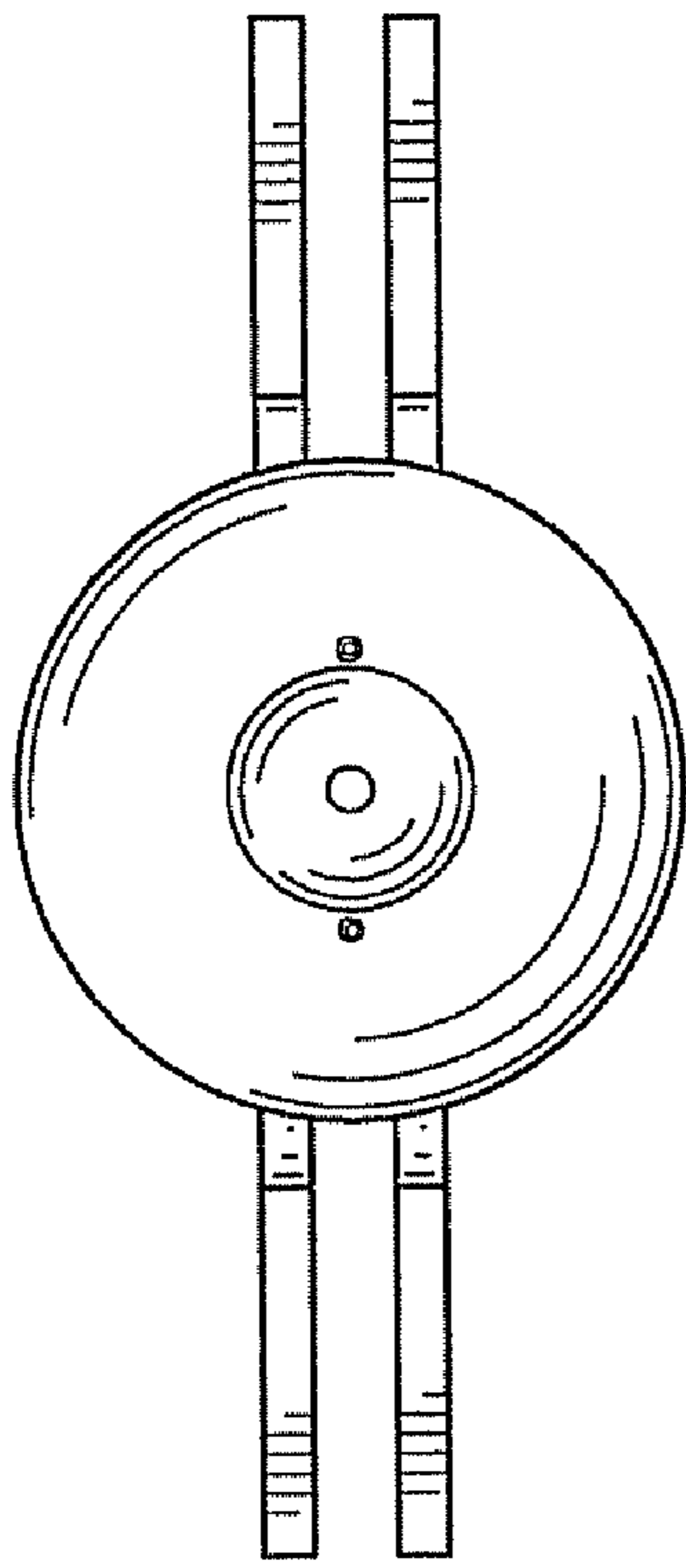


FIG. 6

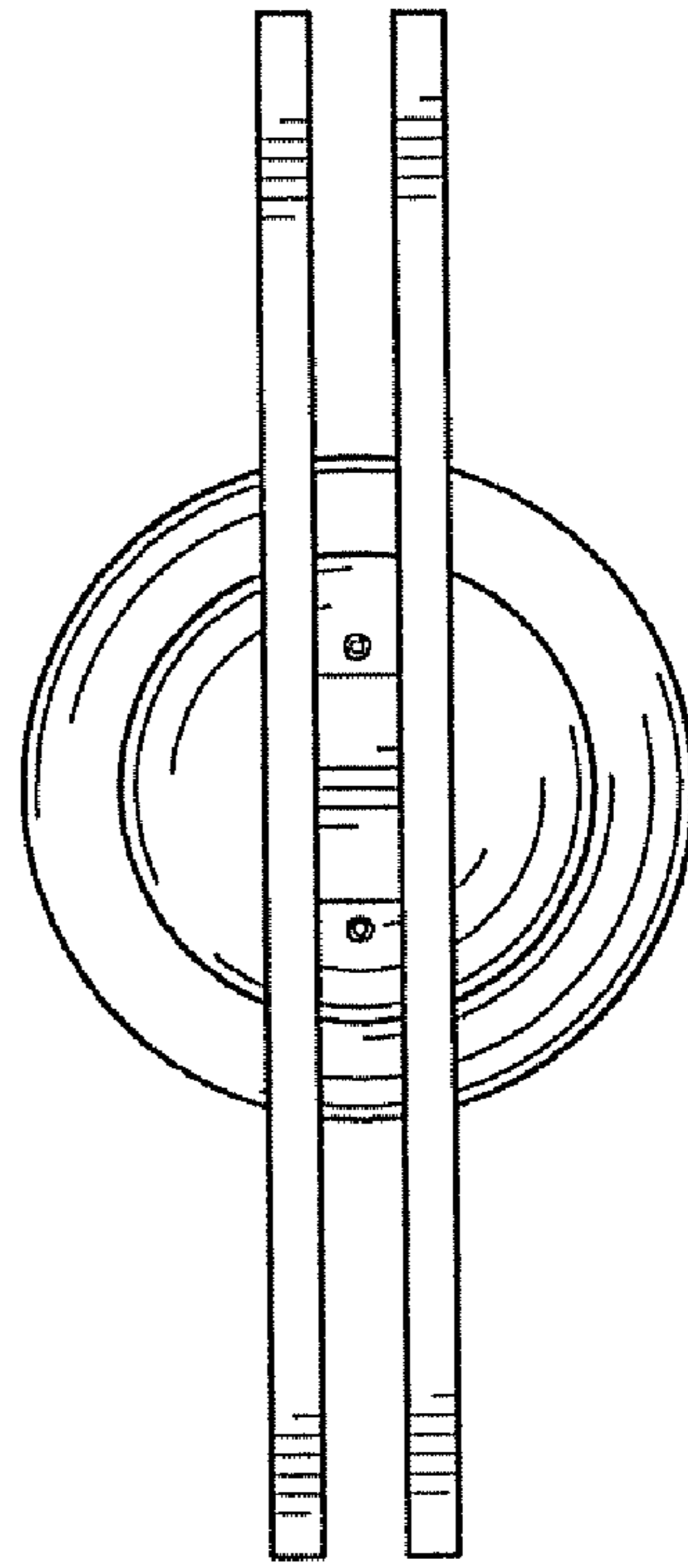


FIG. 7

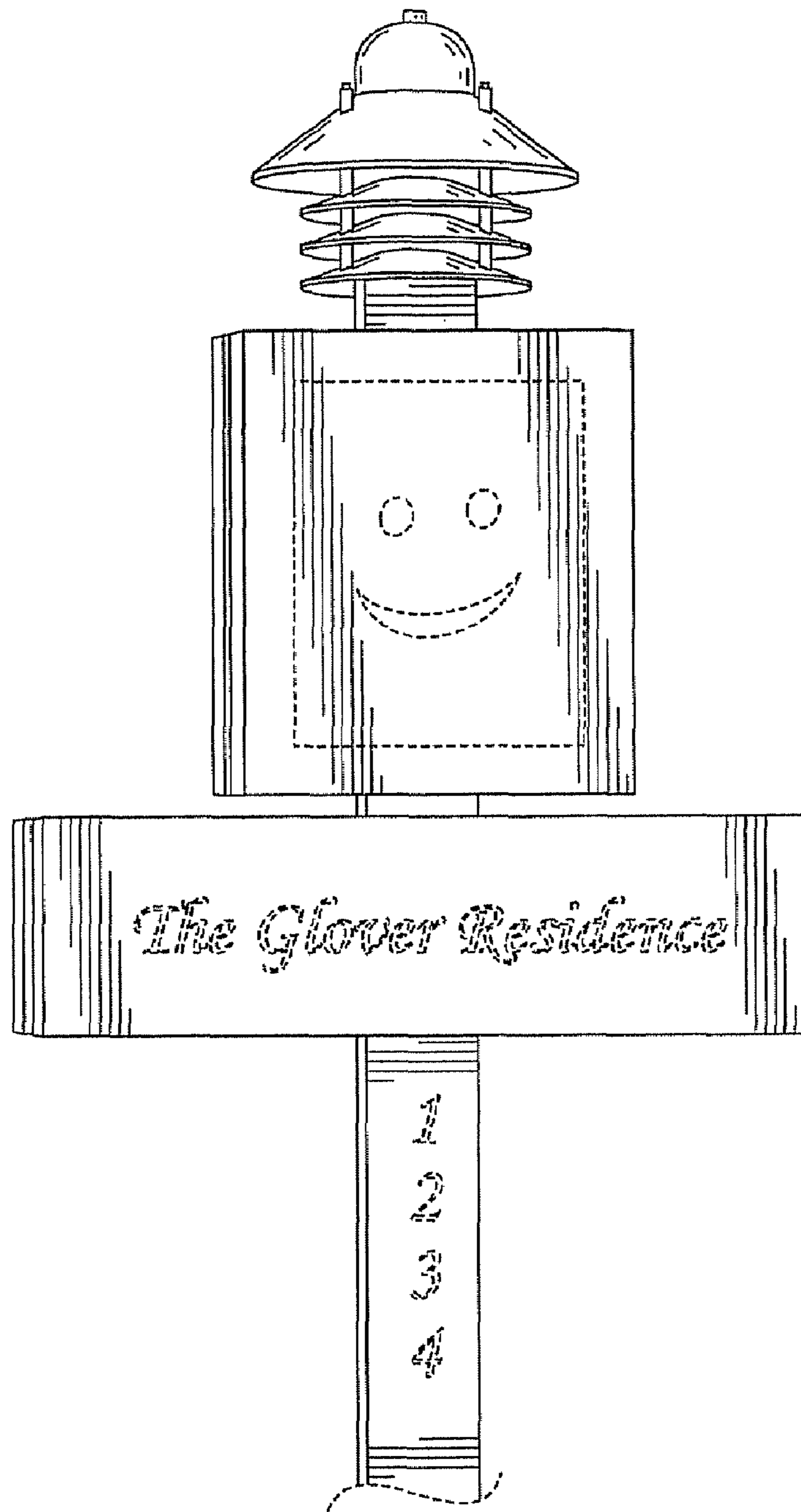


FIG. 8

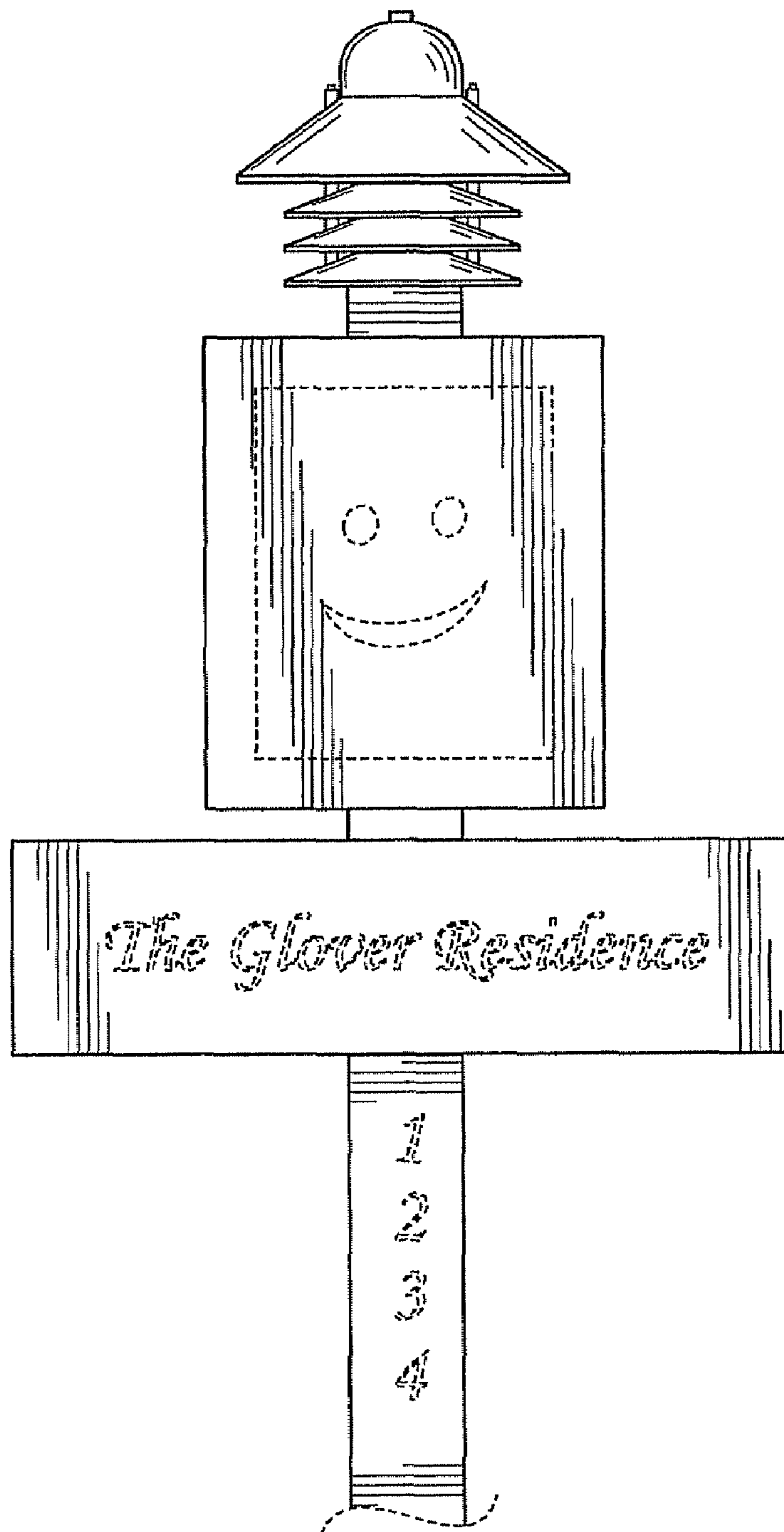


FIG. 9

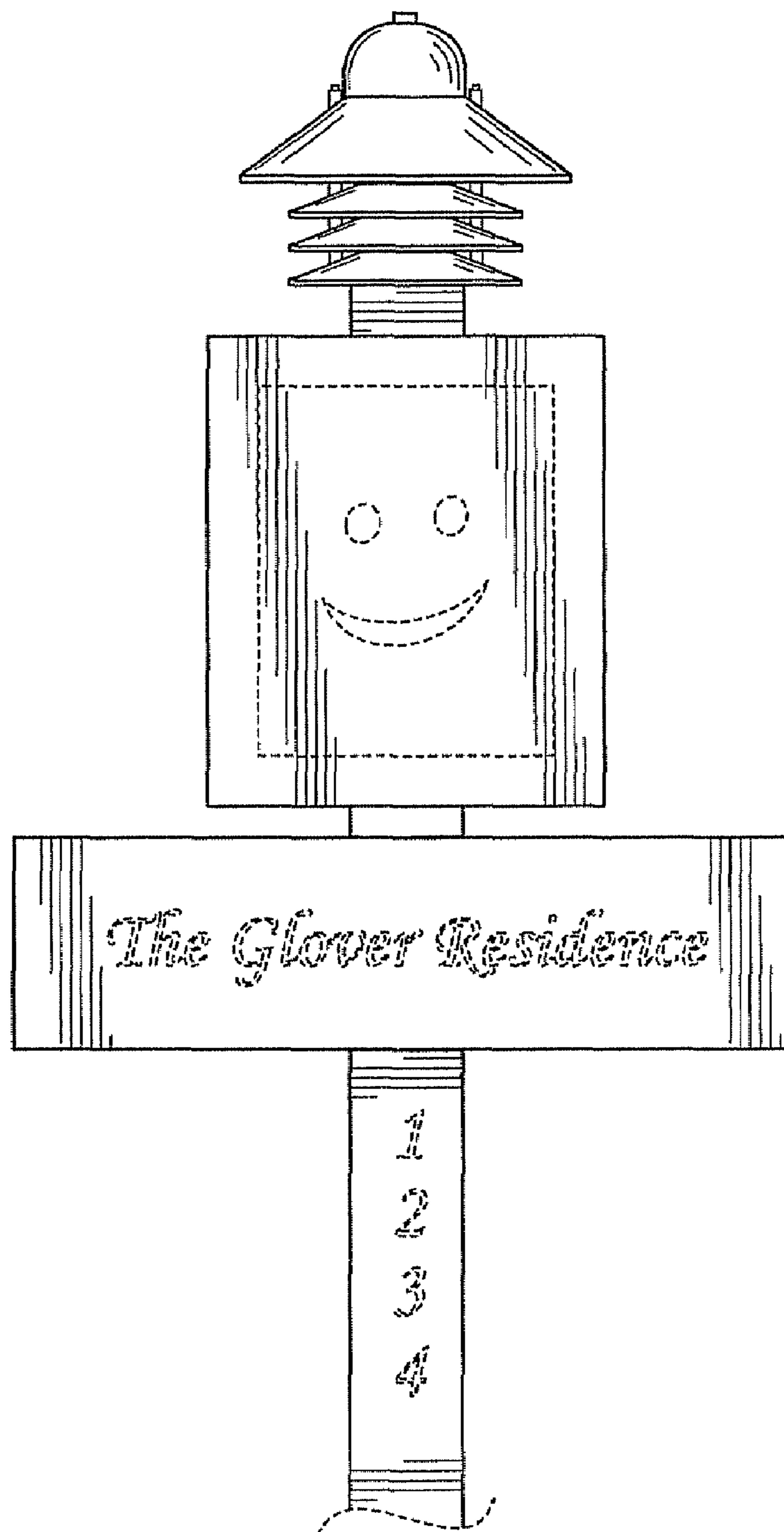


FIG. 10

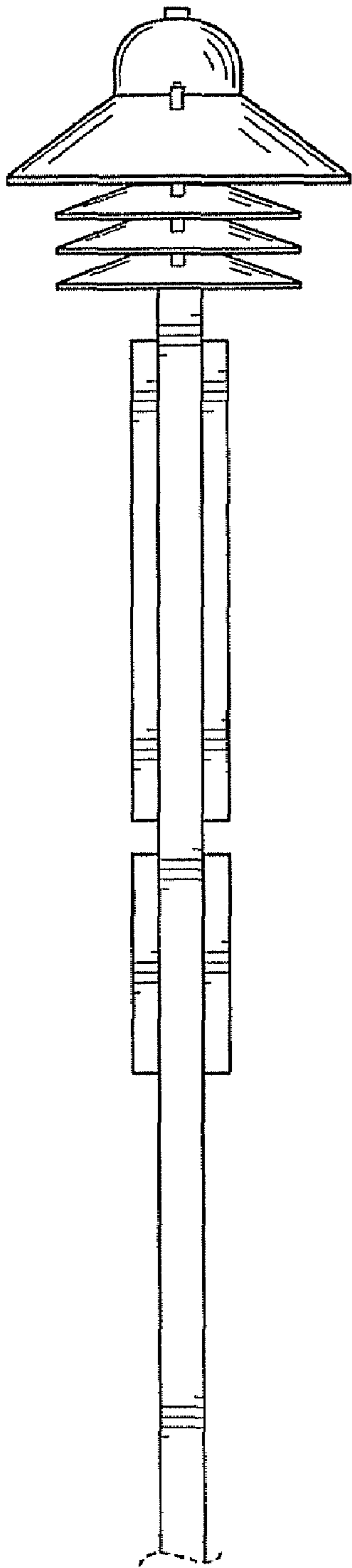


FIG. 11

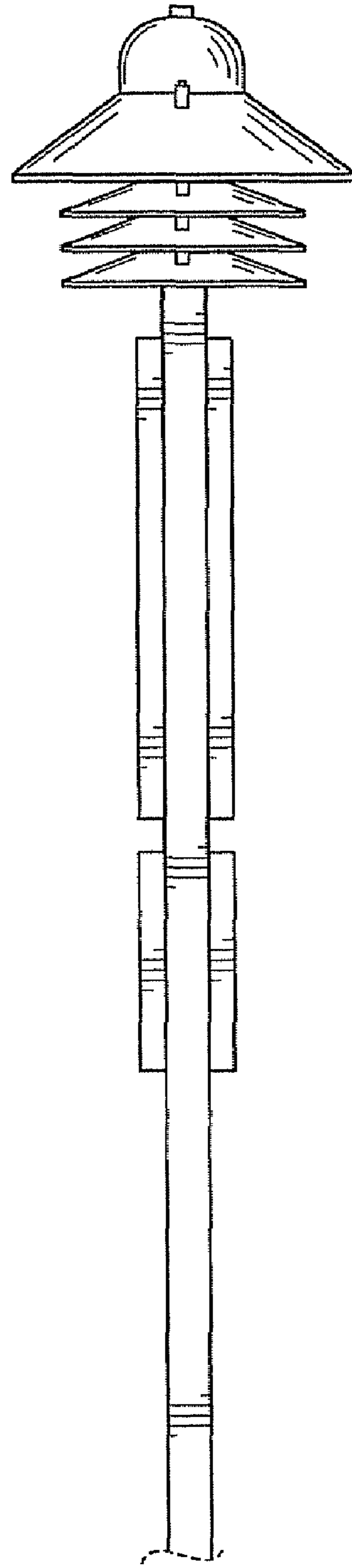


FIG. 12

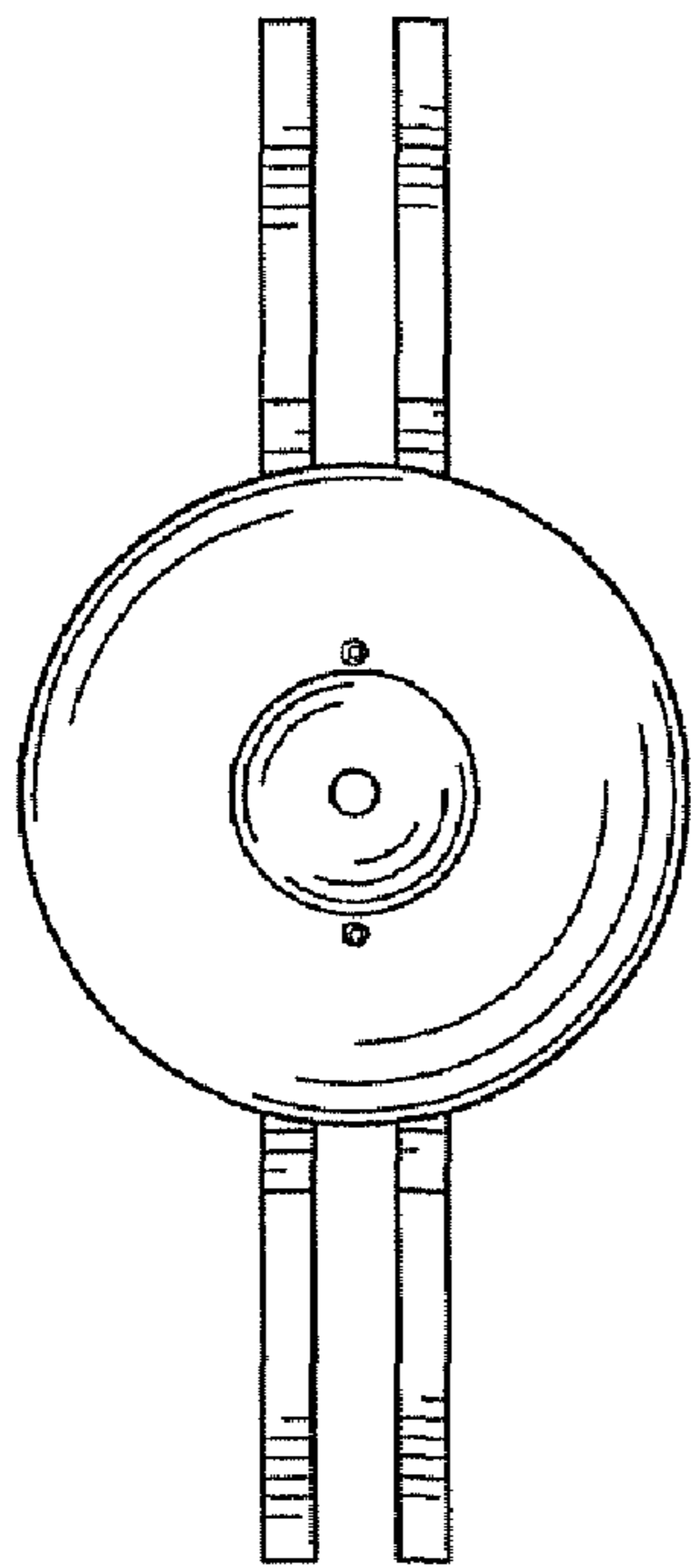


FIG. 13

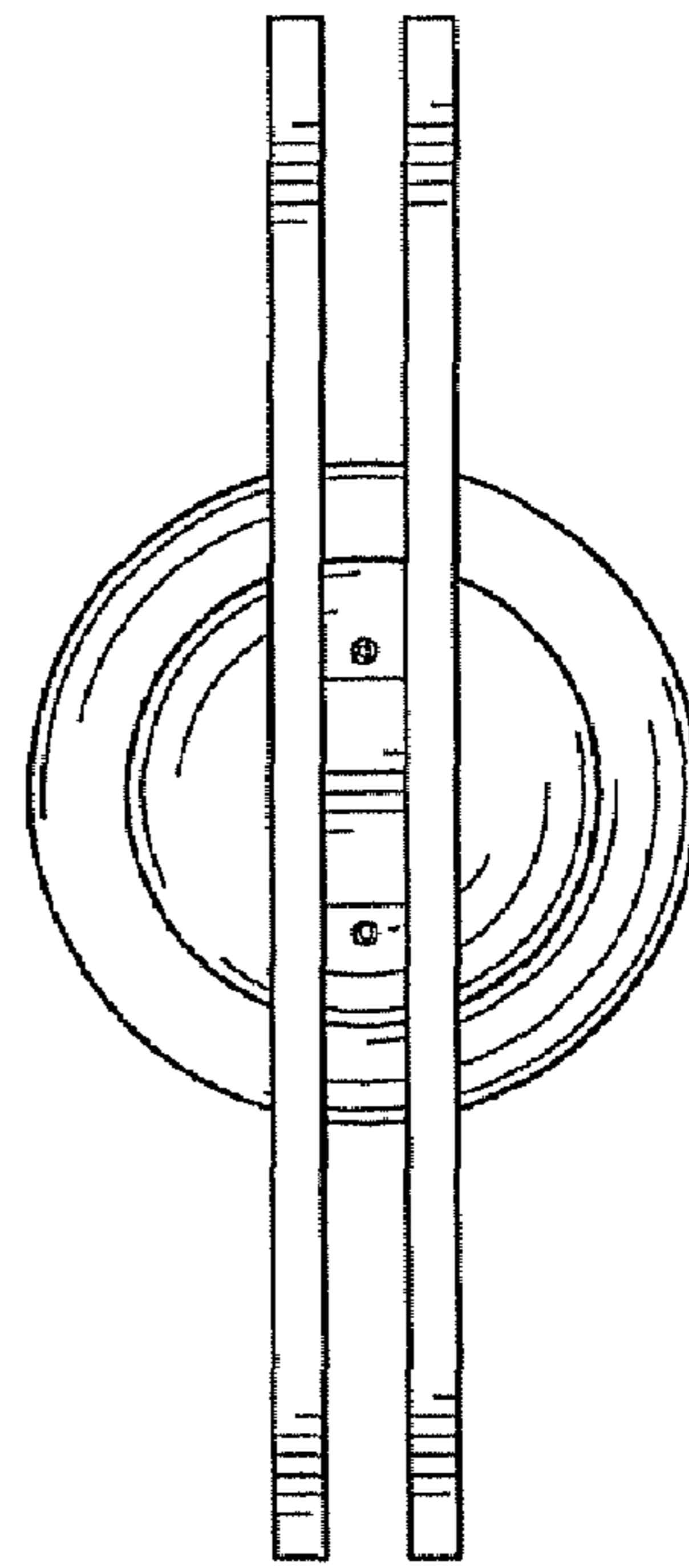


FIG. 14

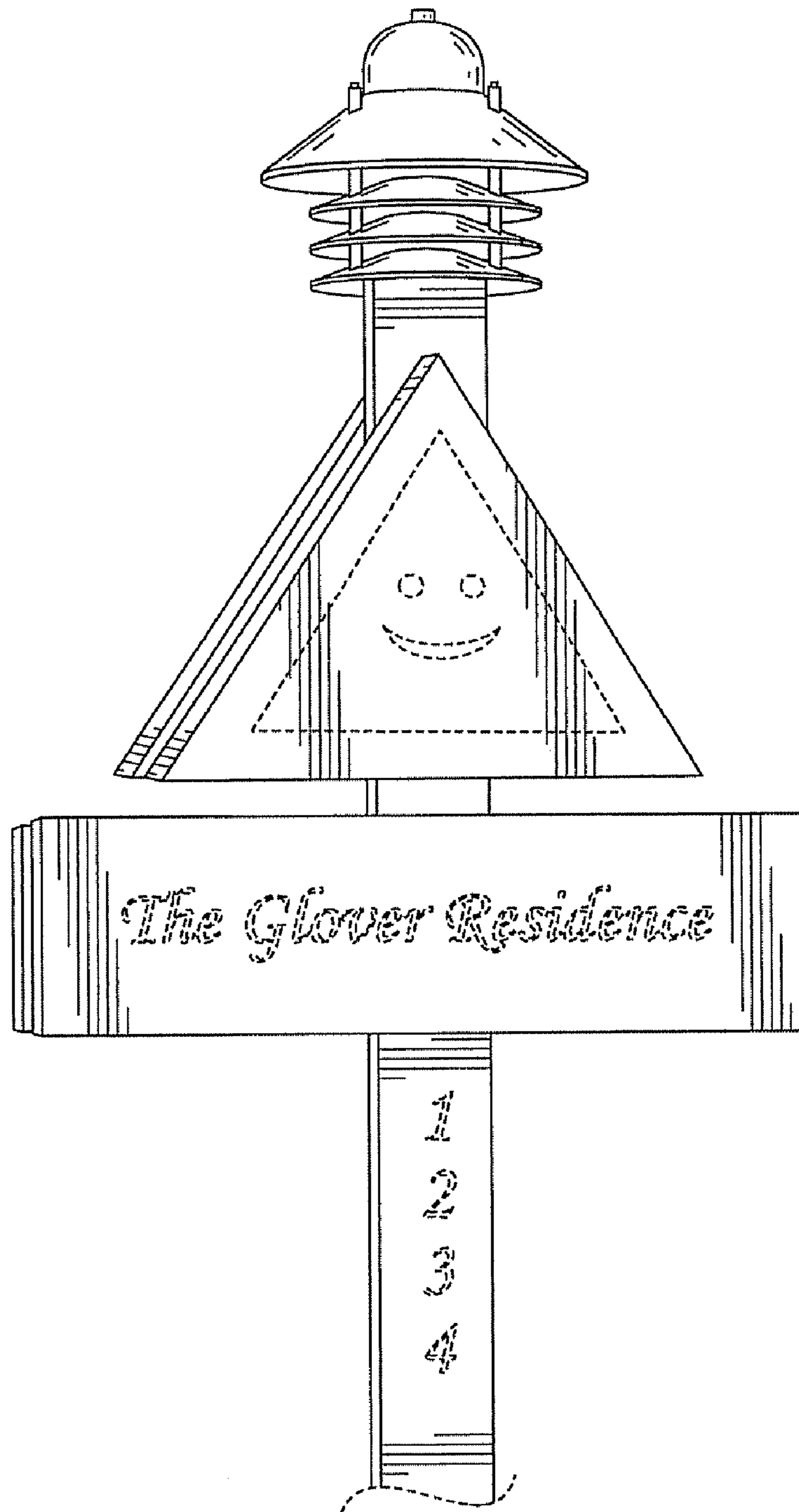


FIG. 15

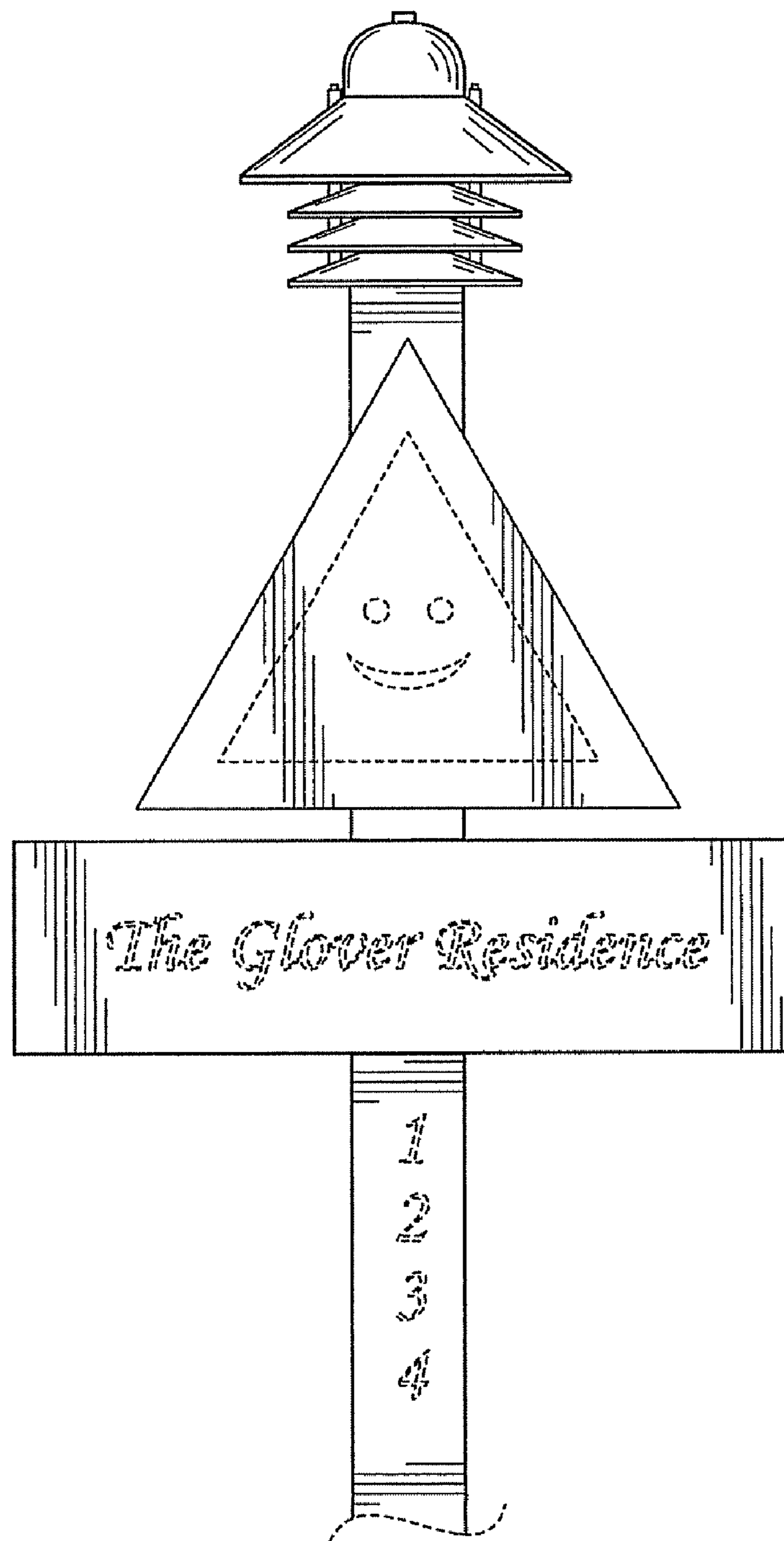


FIG. 16

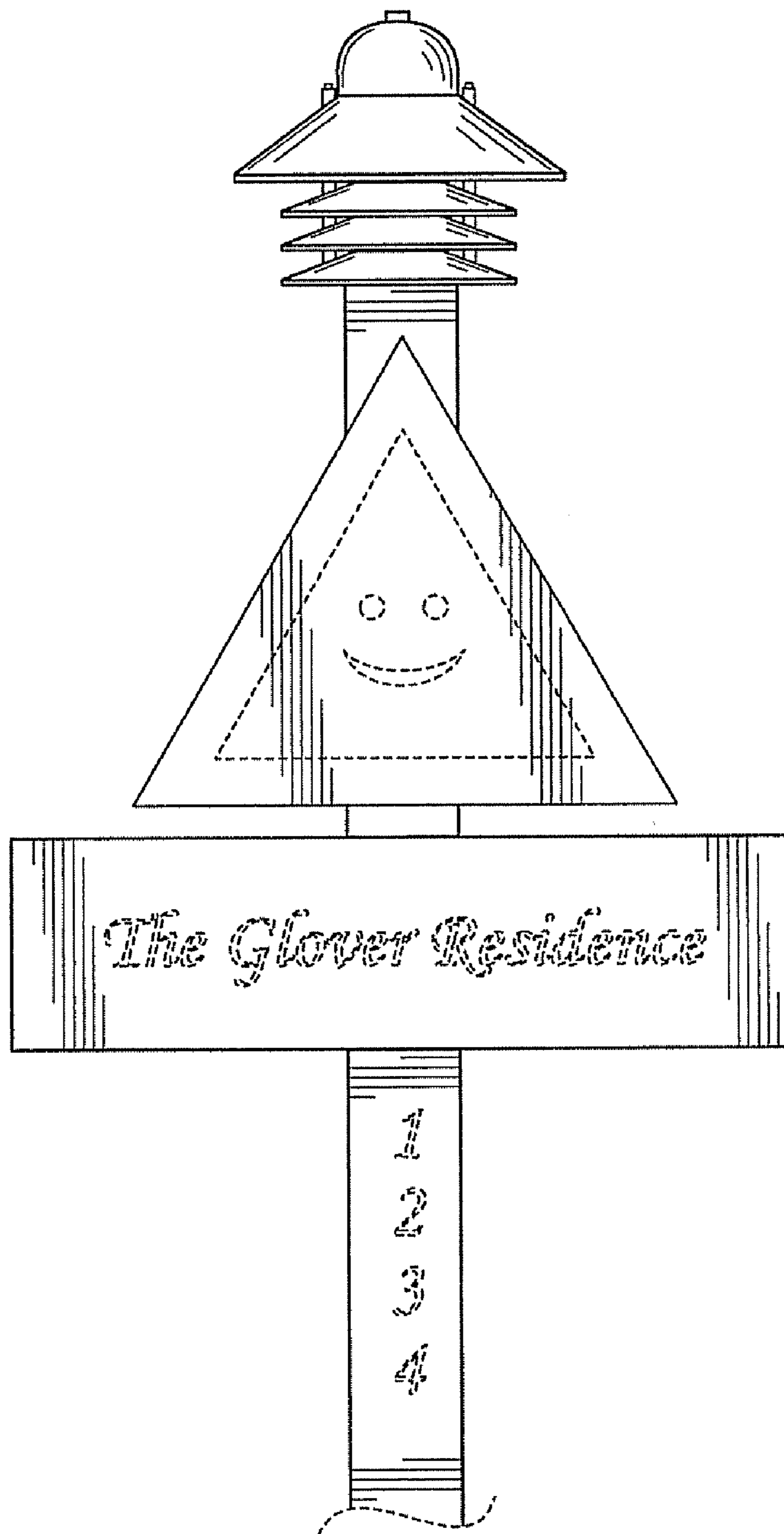


FIG. 17

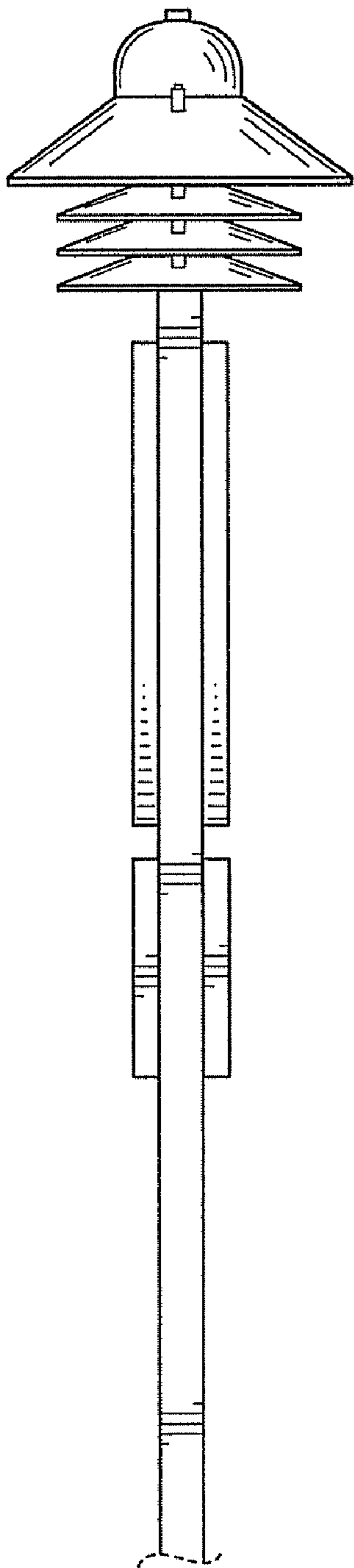


FIG. 18

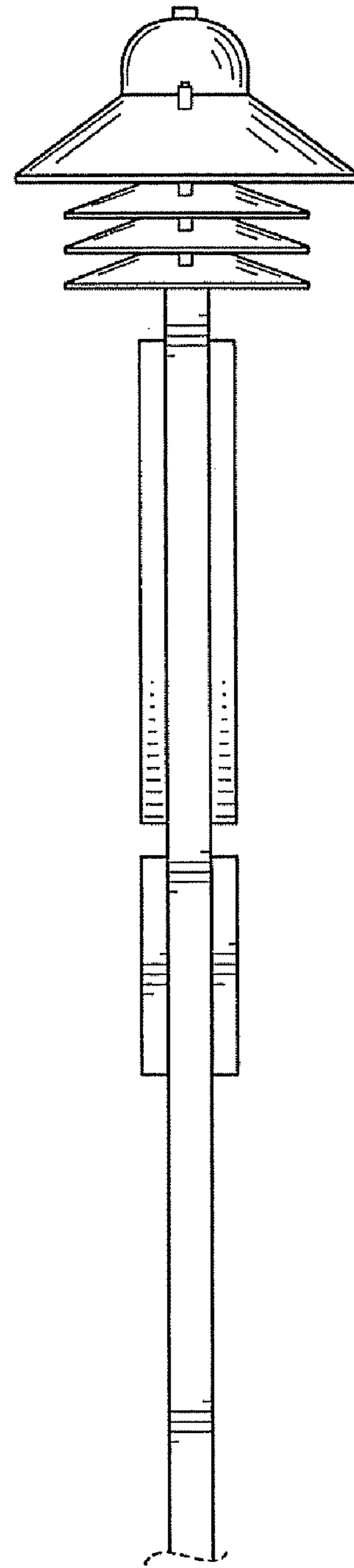


FIG. 19

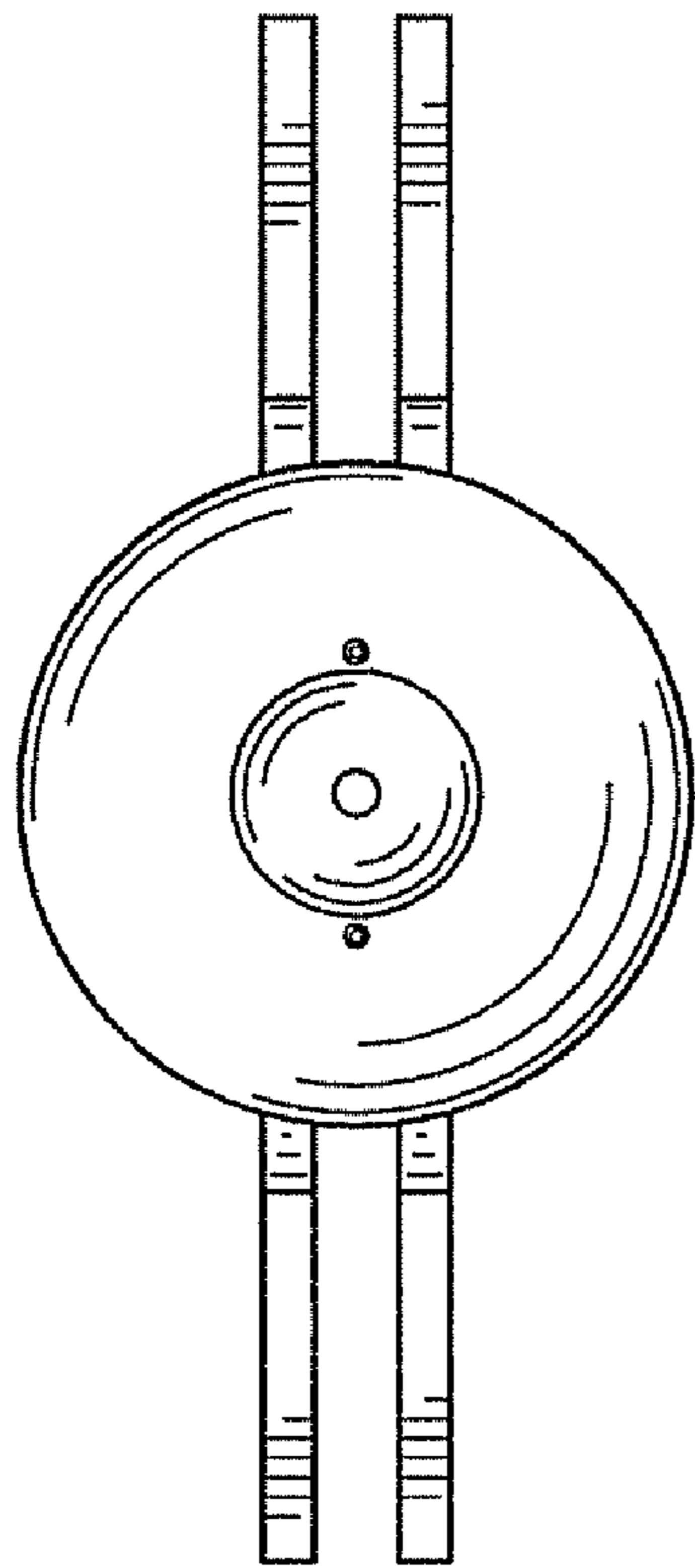


FIG. 20

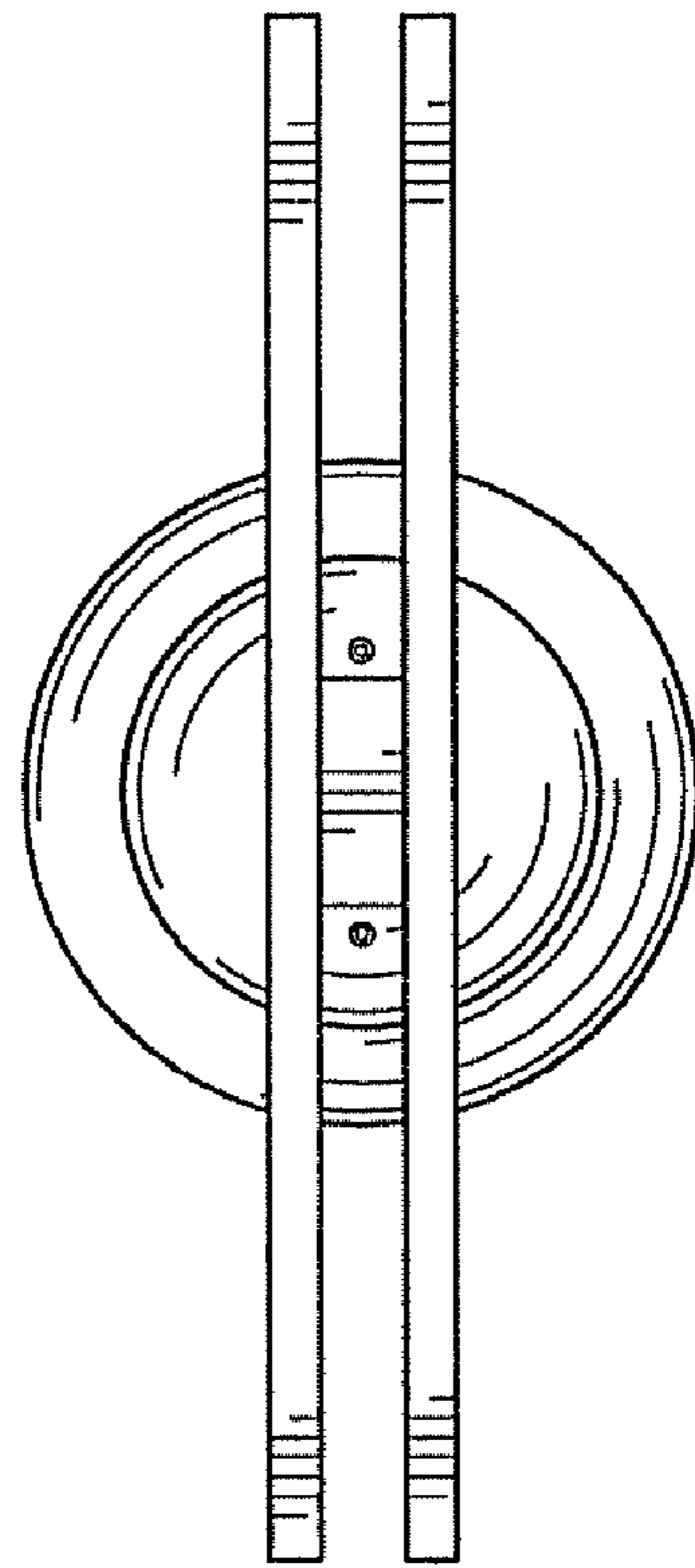


FIG. 21